

[54] PHARMACEUTICAL BLISTER PACKAGE

[75] Inventor: Eugene J. Meierhoefer, Hackettstown, N.J.

[73] Assignee: Warner-Lambert Company, Morris Plains, N.J.

[\*\*] Term: 14 Years

[21] Appl. No.: 795,571

[22] Filed: May 10, 1977

[51] Int. Cl. .... D9-03

[52] U.S. Cl. .... D9/192; D9/193

[58] Field of Search ..... 206/528-532, 206/539, 460, 484; D28/2; D9/191-194, 182, 186; D1/12

[56] References Cited

U.S. PATENT DOCUMENTS

D. 201,497 6/1965 Ninger ..... D1/12 X

D. 237,865	12/1975	Meierhoefer .....	D9/192
3,689,458	9/1972	Hellstrom .....	206/530
3,809,221	5/1974	Compere .....	206/461 X
3,921,805	11/1975	Compere .....	206/532

OTHER PUBLICATIONS

Modern Packaging, Jun. 1967, p. 135, capsule package.

Primary Examiner—Robert C. Spangler

Attorney, Agent, or Firm—Albert H. Graddis

[57] CLAIM

The ornamental design for a pharmaceutical blister package, substantially as shown and described.

DESCRIPTION

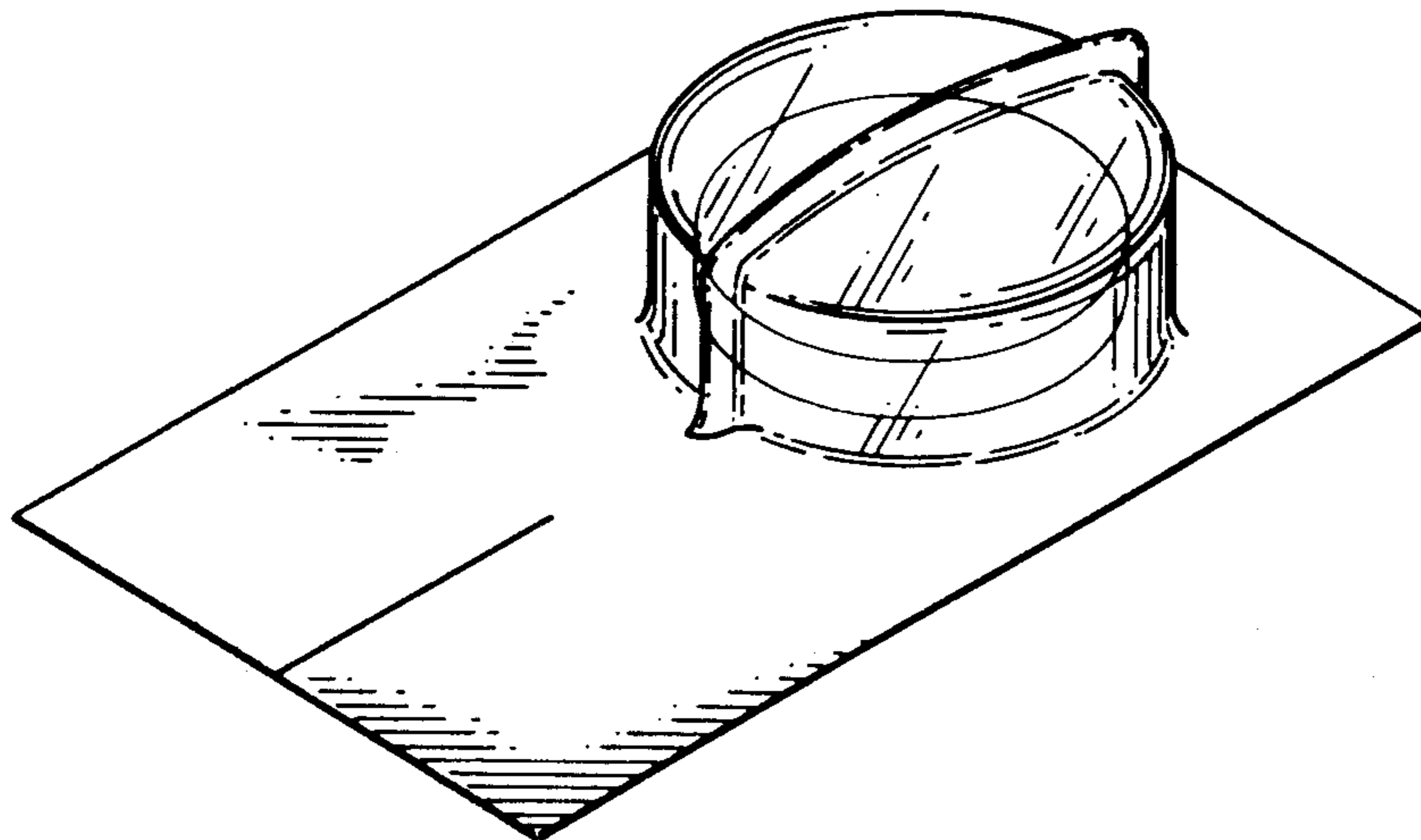
FIG. 1 is a top perspective view of a pharmaceutical blister package showing my new design;

FIG. 2 is a top plan view;

FIG. 3 is an end elevational view thereof; and

FIG. 4 is a side elevational view thereof.

The bottom is plain and unornamented but has the slit seen in FIGS. 1 and 2.



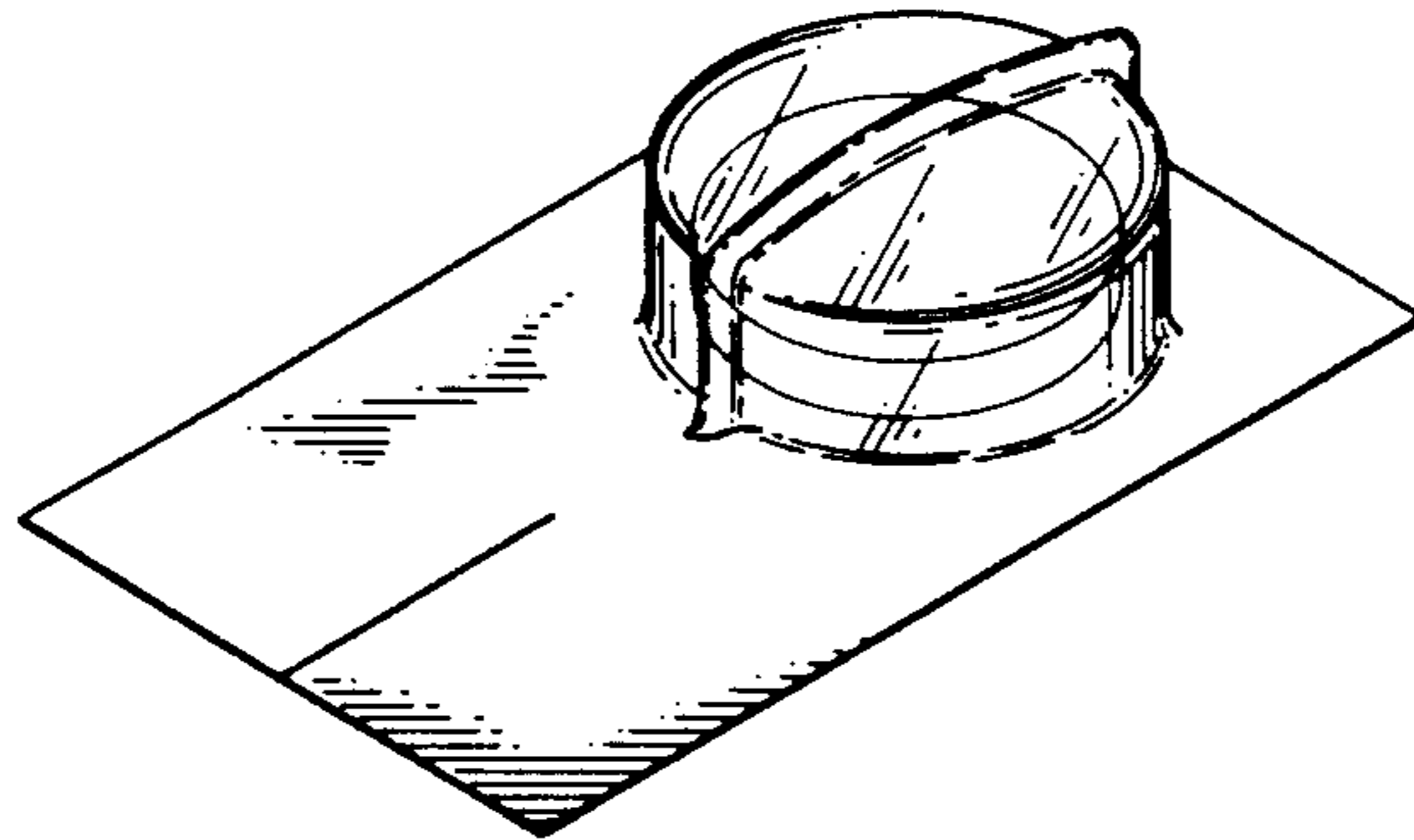


FIG. 1

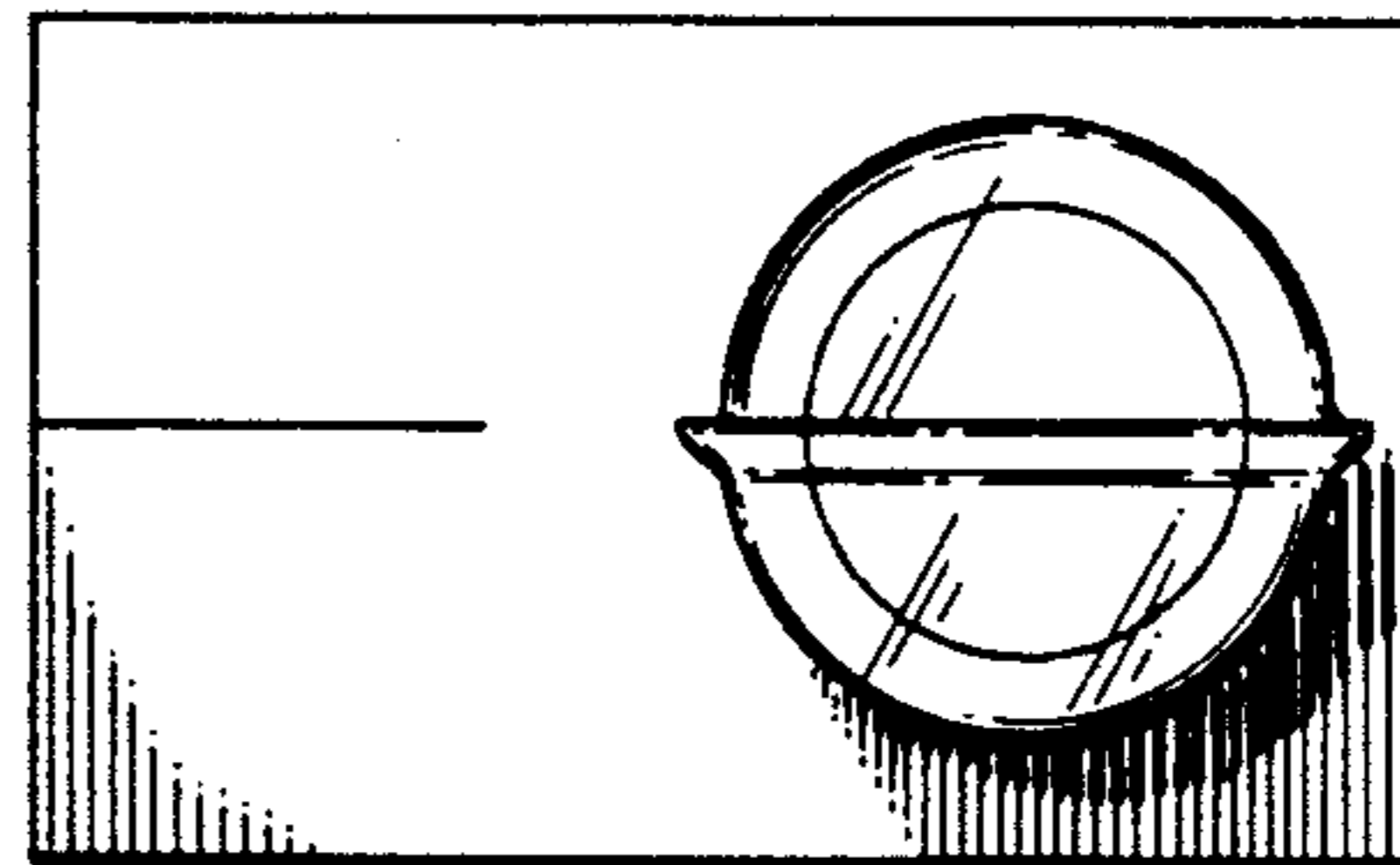


FIG. 2



FIG. 3



FIG. 4