

[54] HANDLE

[76] Inventor: **Alberto Bertani**, Via Pascoli, 21,
Milan, Italy

[**] Term: **14 Years**

[21] Appl. No.: **875,910**

[22] Filed: **Feb. 7, 1978**

[51] Int. Cl. **D8-06**

[52] U.S. Cl. **D8/307**

[58] Field of Search **D8/300-302,**
D8/305-307, 310-322, 350-353, 367; 16/110
R, 121, 124-127; 292/347; 40/331

[56]

References Cited

U.S. PATENT DOCUMENTS

D. 203,970 3/1966 Boundy D8/307

OTHER PUBLICATIONS

Dimco Plastic Knobs Cat. 64, p. 2, Knob (second from left).

Rogan Knob Catalog, p. 3, Knob RB-2125-ST.

Primary Examiner—Wallace R. Burke

Assistant Examiner—B. J. Bullock

[57]

CLAIM

The ornamental design for a handle, as shown.

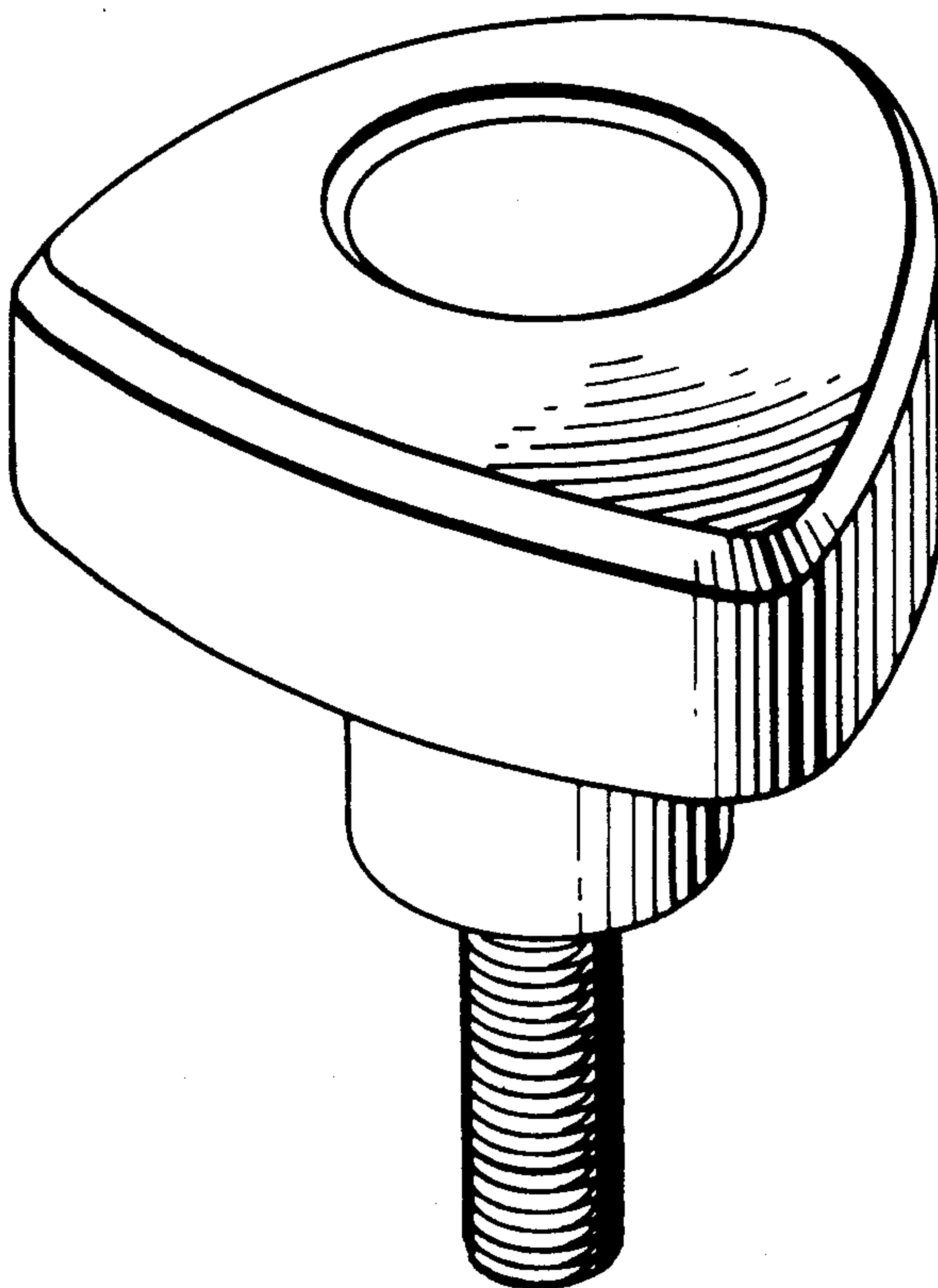
DESCRIPTION

FIG. 1 is a perspective view of a handle showing my new design;

FIG. 2 is a top plan view thereof;

FIG. 3 is a side elevational view thereof; and

FIG. 4 is a front elevational view thereof.



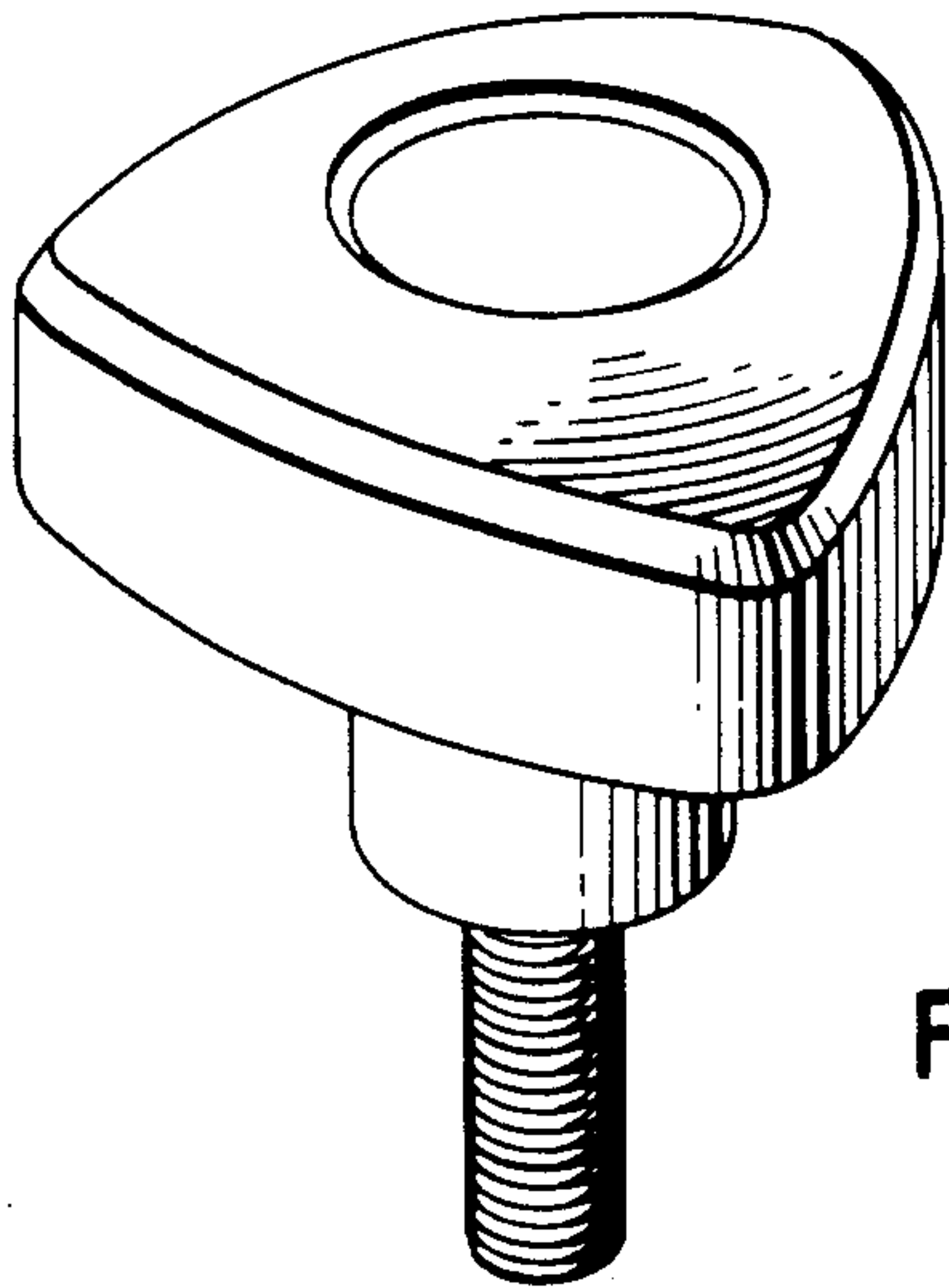


FIG. 1

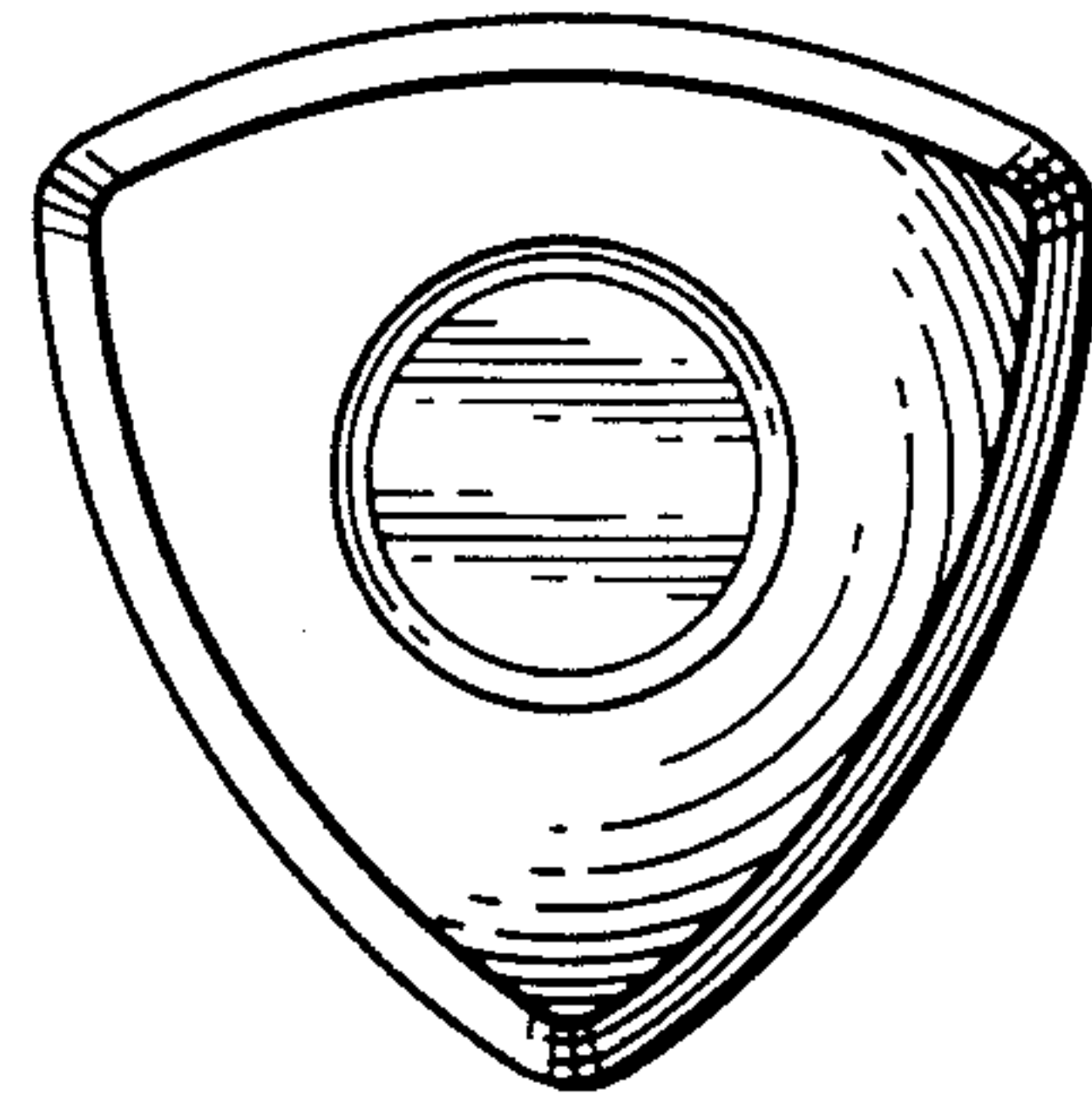


FIG. 2

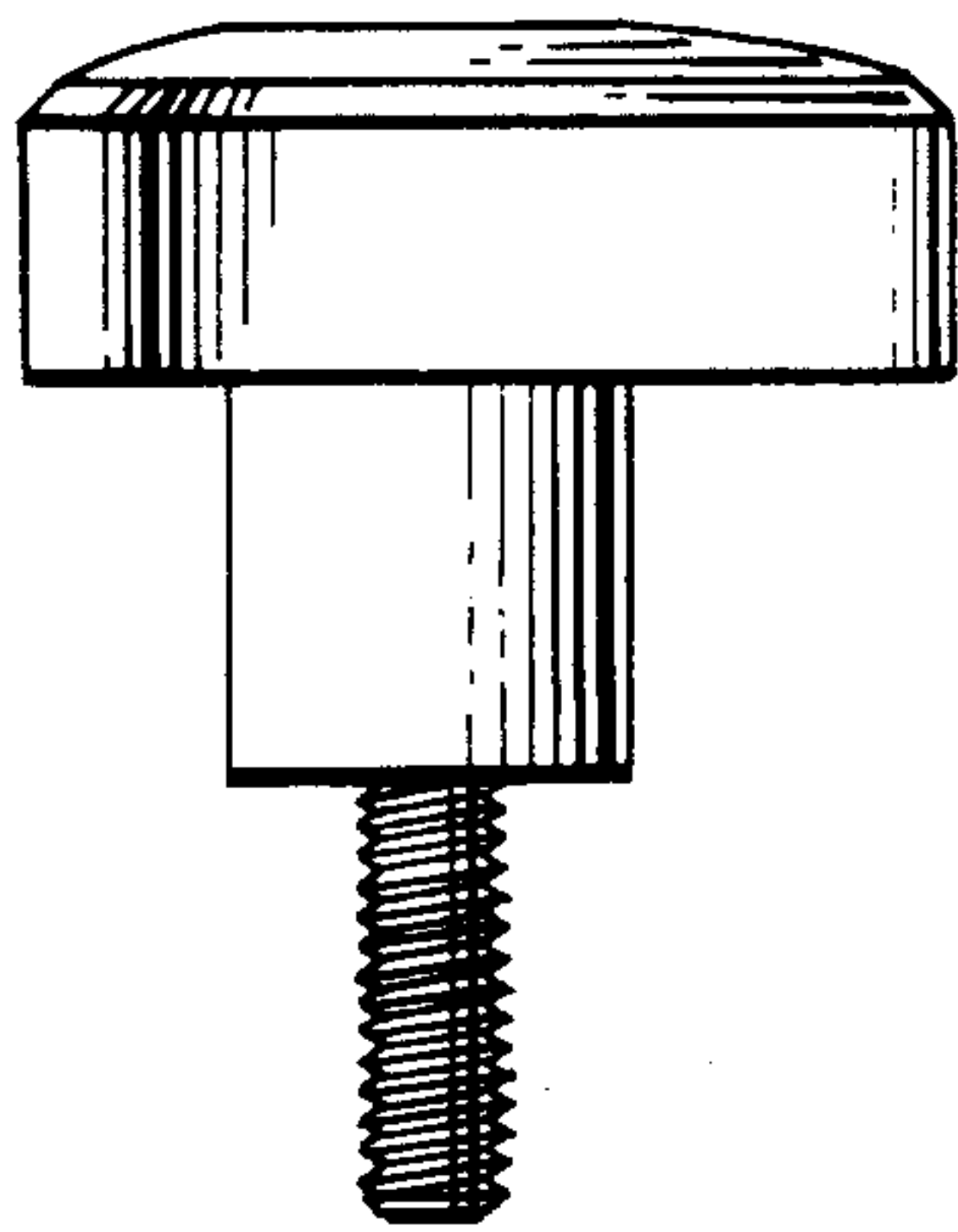


FIG. 3

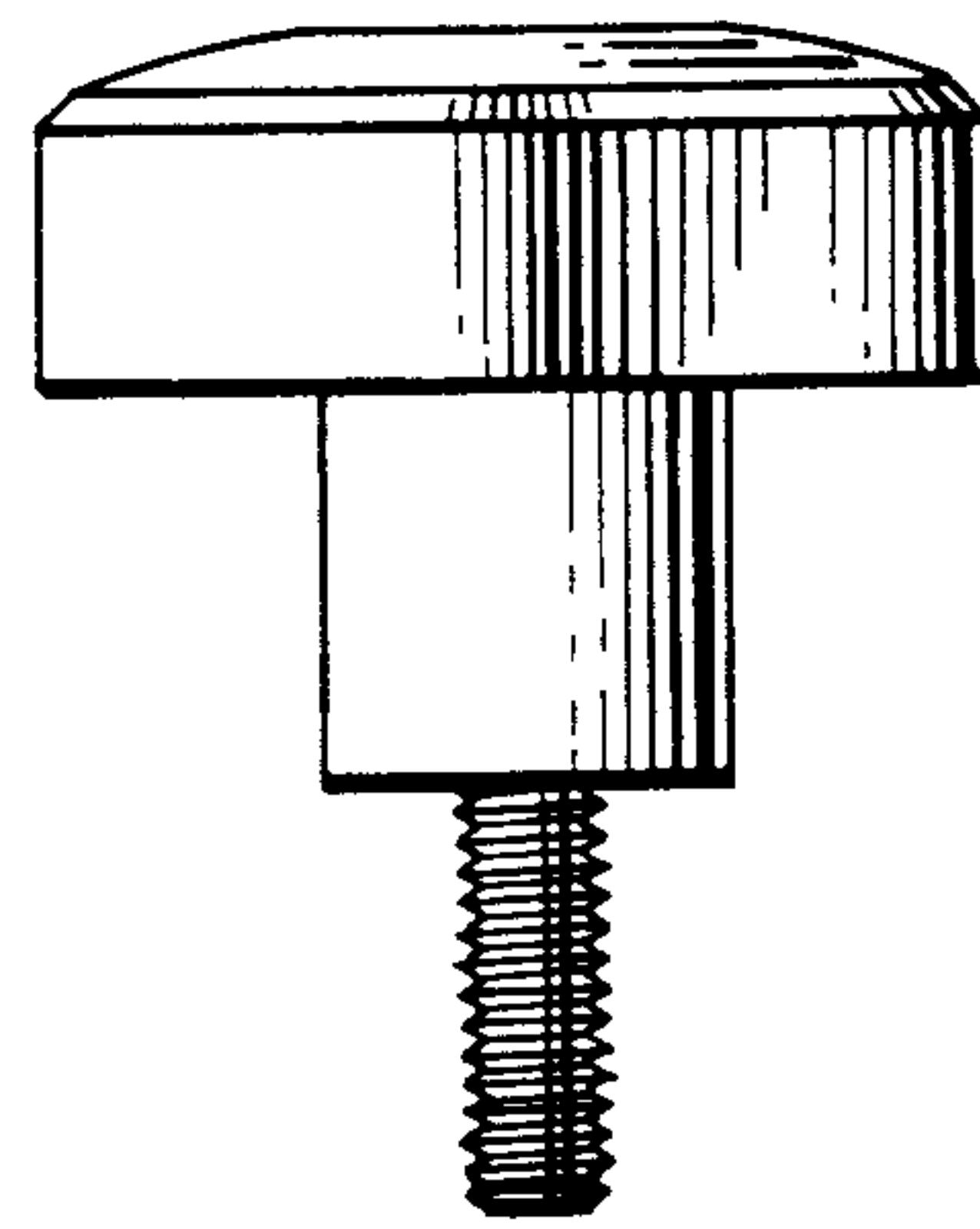


FIG. 4