

[54] ELECTRIC CREPE PAN

D. 246,884 1/1978 Finke ..... D7/95

[76] Inventor: Robert S. Bardin, 409 Onda, Newport Beach, Calif. 92660

OTHER PUBLICATIONS

Industrial Design, May/June 1977, p. 66, Lightweight Crepe Maker by G.E., top left.

[\*\*] Term: 14 Years

Primary Examiner—Winifred E. Herrmann  
Attorney, Agent, or Firm—Georges A. Maxwell

[21] Appl. No.: 800,093

[57] CLAIM

[22] Filed: May 24, 1977

The ornamental design for an electric crepe pan, as shown and described.

[51] Int. Cl. .... D7-02

[52] U.S. Cl. .... D7/94; D7/95

[58] Field of Search ..... D7/85, 87, 90, 94, 95

DESCRIPTION

[56] References Cited

U.S. PATENT DOCUMENTS

D. 110,117	6/1938	Weis	.....	D7/95
D. 174,515	4/1955	Platt	.....	D7/94
D. 190,154	4/1961	Morphy	.....	D7/94
D. 215,467	9/1969	Salkoff	.....	D7/95
D. 245,059	7/1977	Bardin	.....	D7/95

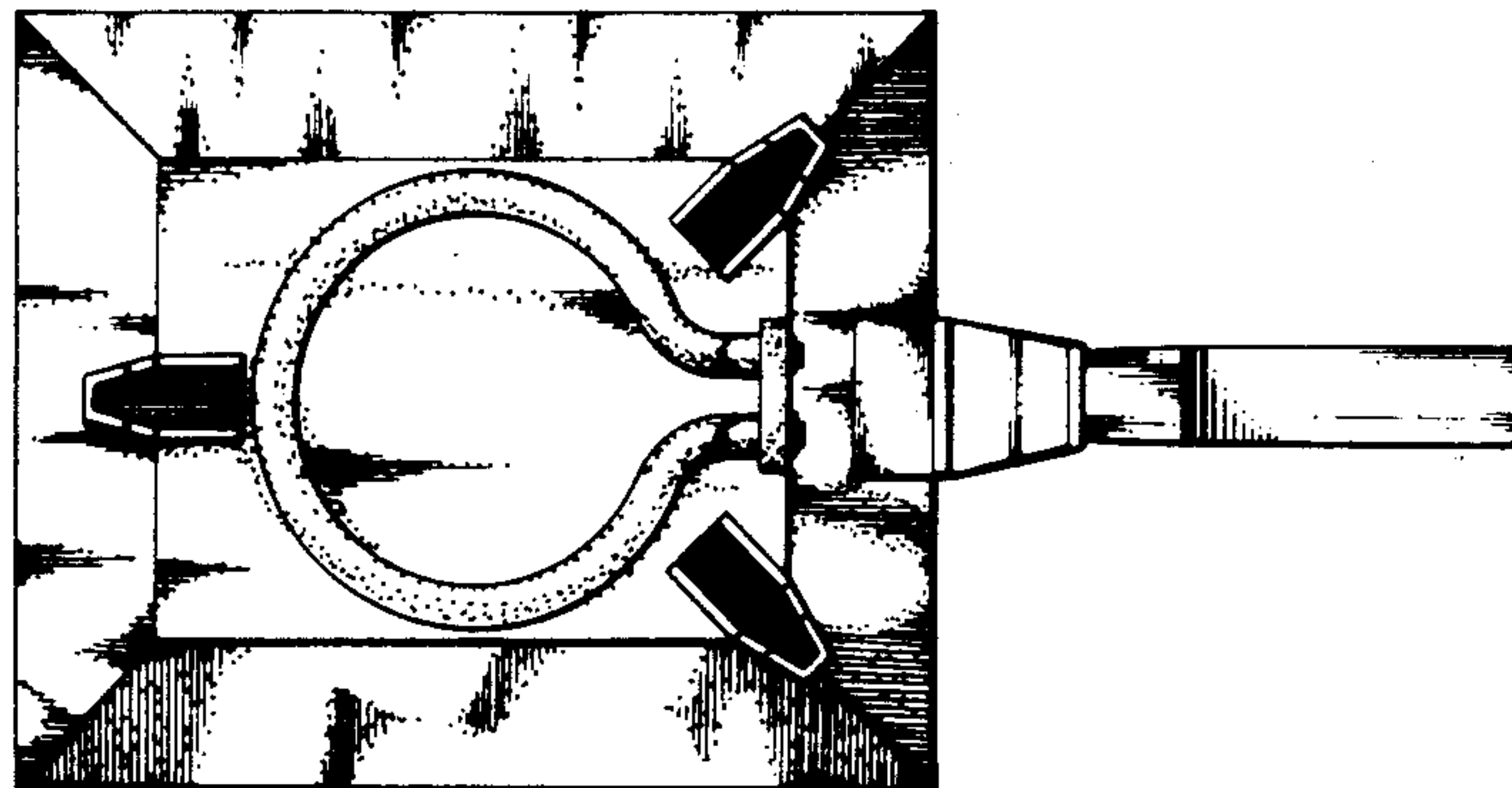
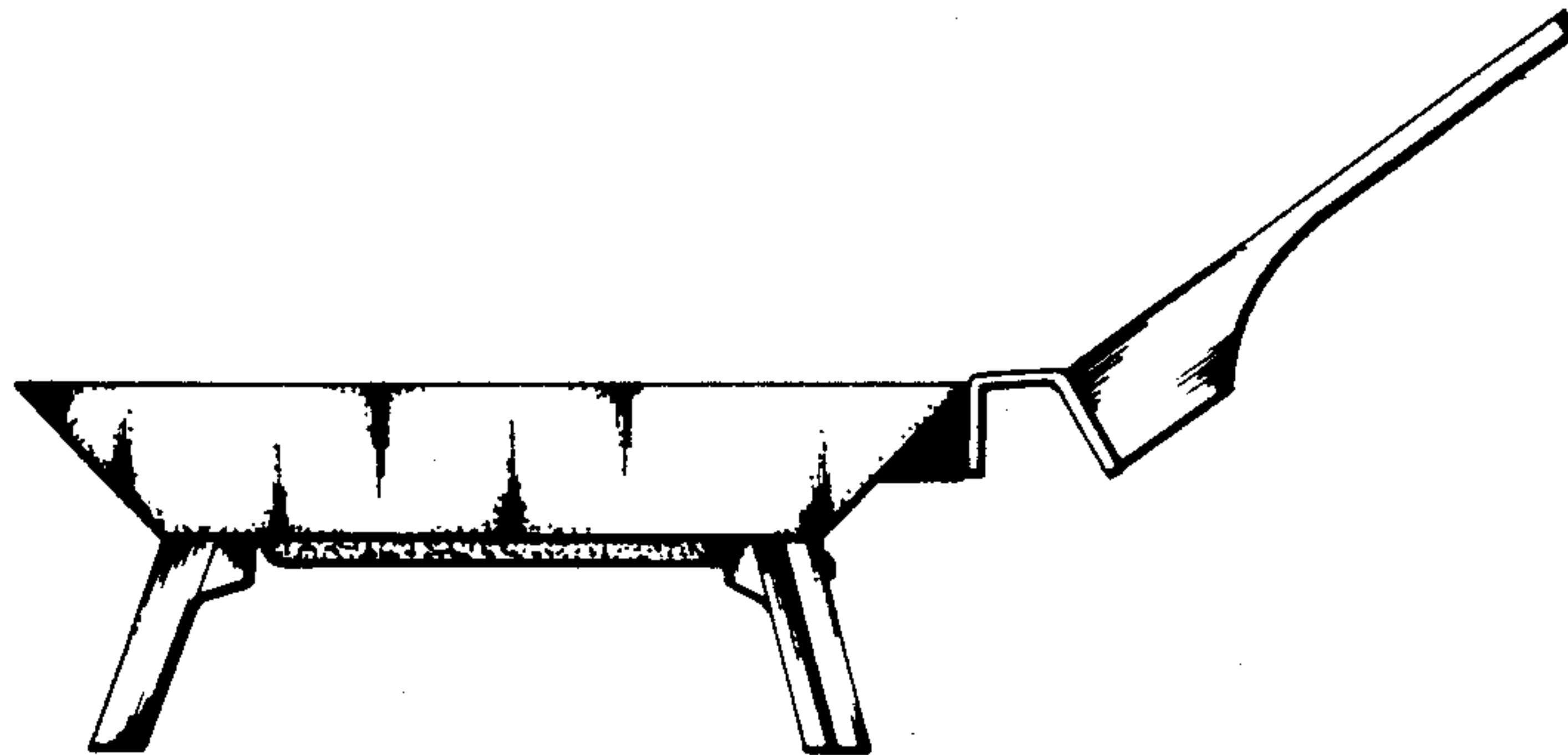
FIG. 1 is a side elevational view of an electric crepe pan showing my new design, the side opposite being a mirror image thereof;

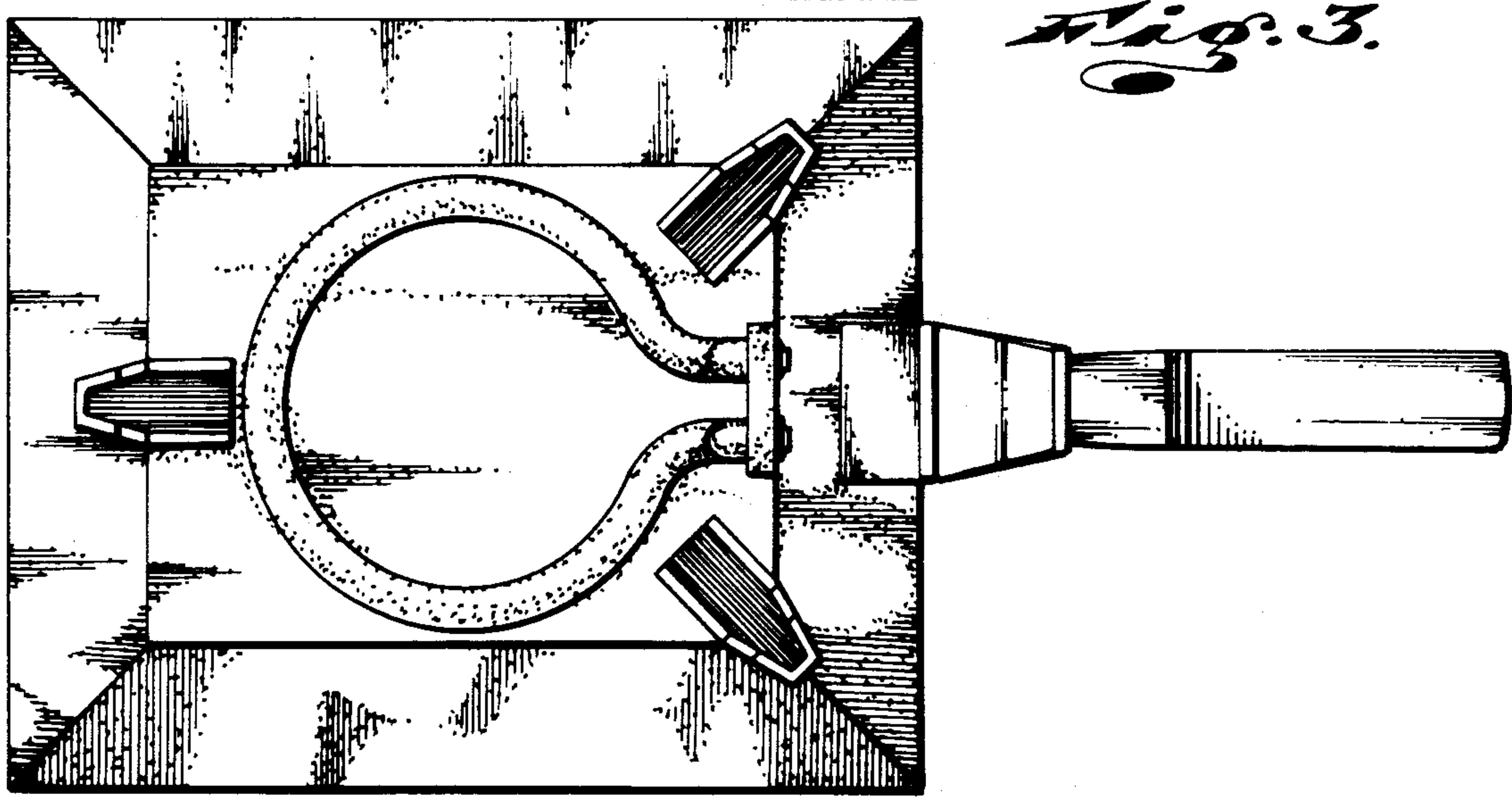
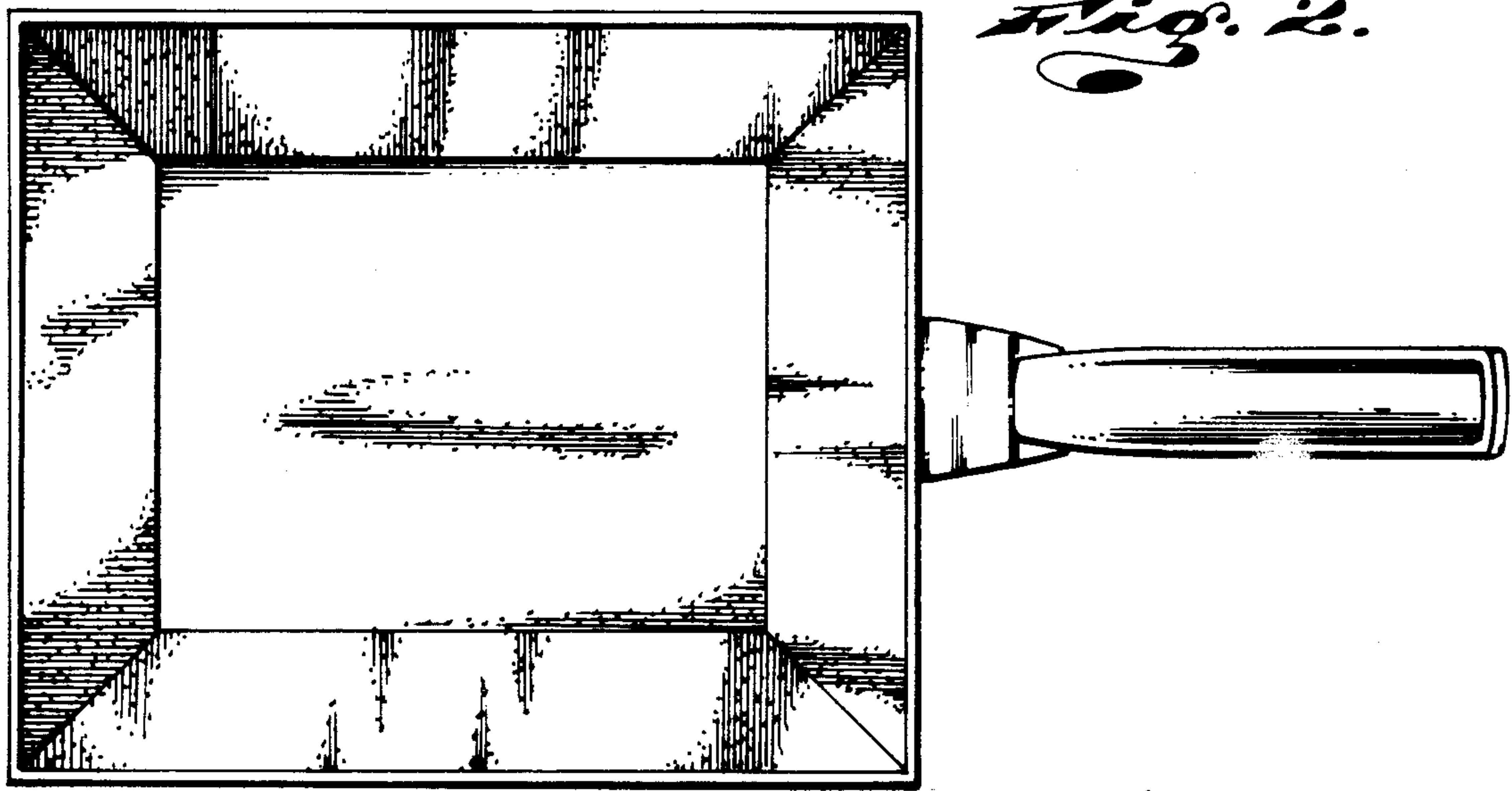
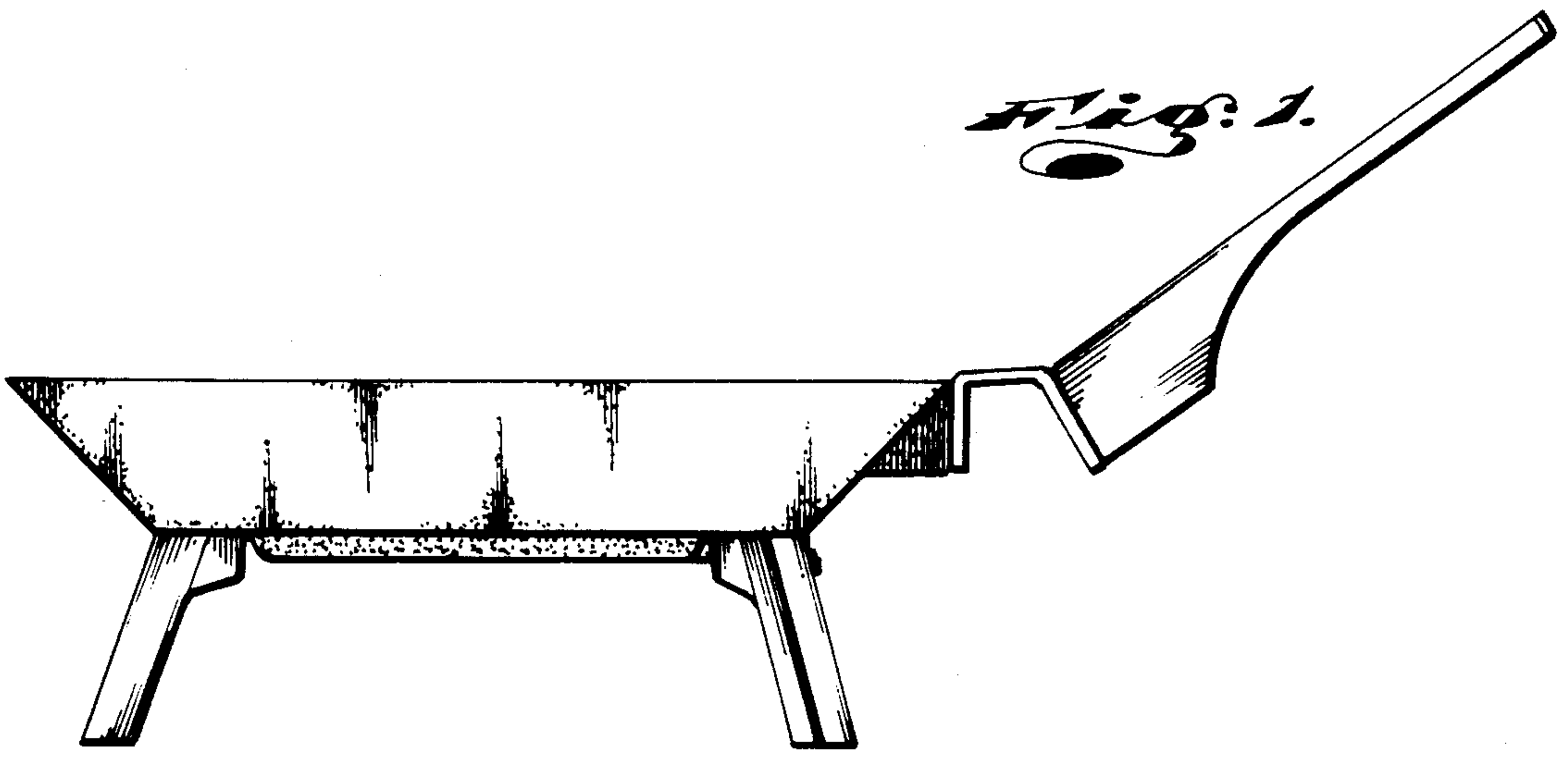
FIG. 2 is a top plan view of the design;

FIG. 3 is a bottom plan view of the design;

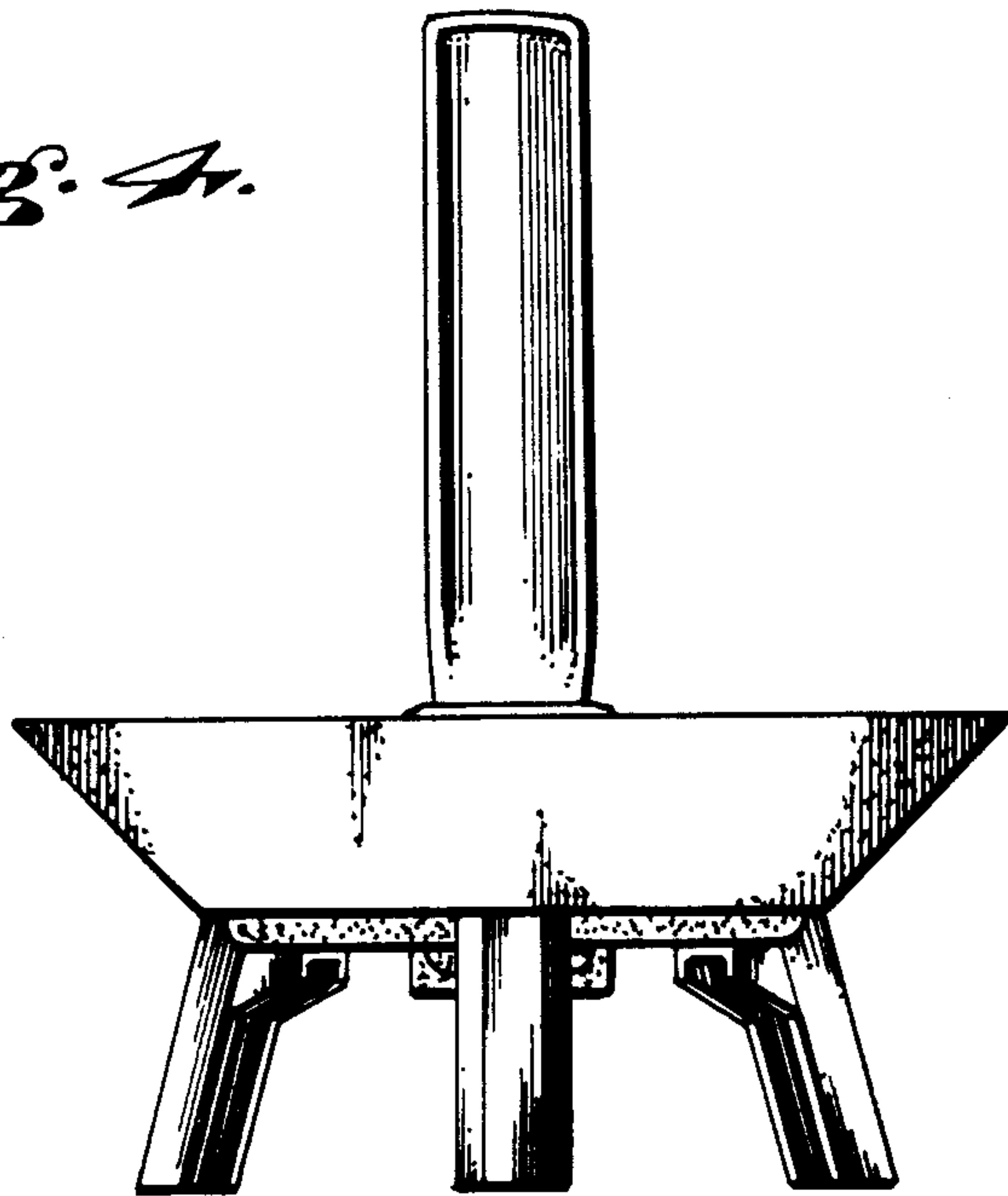
FIG. 4 is a front elevational view of the design; and

FIG. 5 is a rear elevational view of the design.





*Fig. 4.*



*Fig. 5.*

