

[54] DRINKING GLASS RACK

[76] Inventors: Donald B. LeSage, 630 Bushaway Rd., Wayzata, Minn. 55391; Franklin D. Dutcher, Rte. #1, Box 151, Cambridge, Minn. 55008

[\*\*] Term: 14 Years

[21] Appl. No.: 839,124

[22] Filed: Oct. 3, 1977

[51] Int. Cl. .... D6-04

[52] U.S. Cl. .... D6/113; D6/157; D6/175; D6/188

[58] Field of Search ..... D6/113, 186, 188, 189; D7/71; 211/72, 74, 162, 60 R; 312/237, 351

[56] References Cited

U.S. PATENT DOCUMENTS

D. 119,969	4/1940	Teetor .....	D6/188
D. 232,340	8/1974	Lax .....	D6/188 X
D. 247,838	5/1978	Jones et al. ....	D6/113

2,990,228	6/1961	Celler .....	312/237
3,858,835	1/1975	Baren .....	211/181 X
3,955,683	5/1976	Baren .....	211/74
4,008,810	2/1977	Merz .....	211/162 X

Primary Examiner—Bruce W. Dunkins  
Attorney, Agent, or Firm—Ralph F. Merchant

[57] CLAIM

The ornamental design for a drinking glass rack, substantially as shown and described.

DESCRIPTION

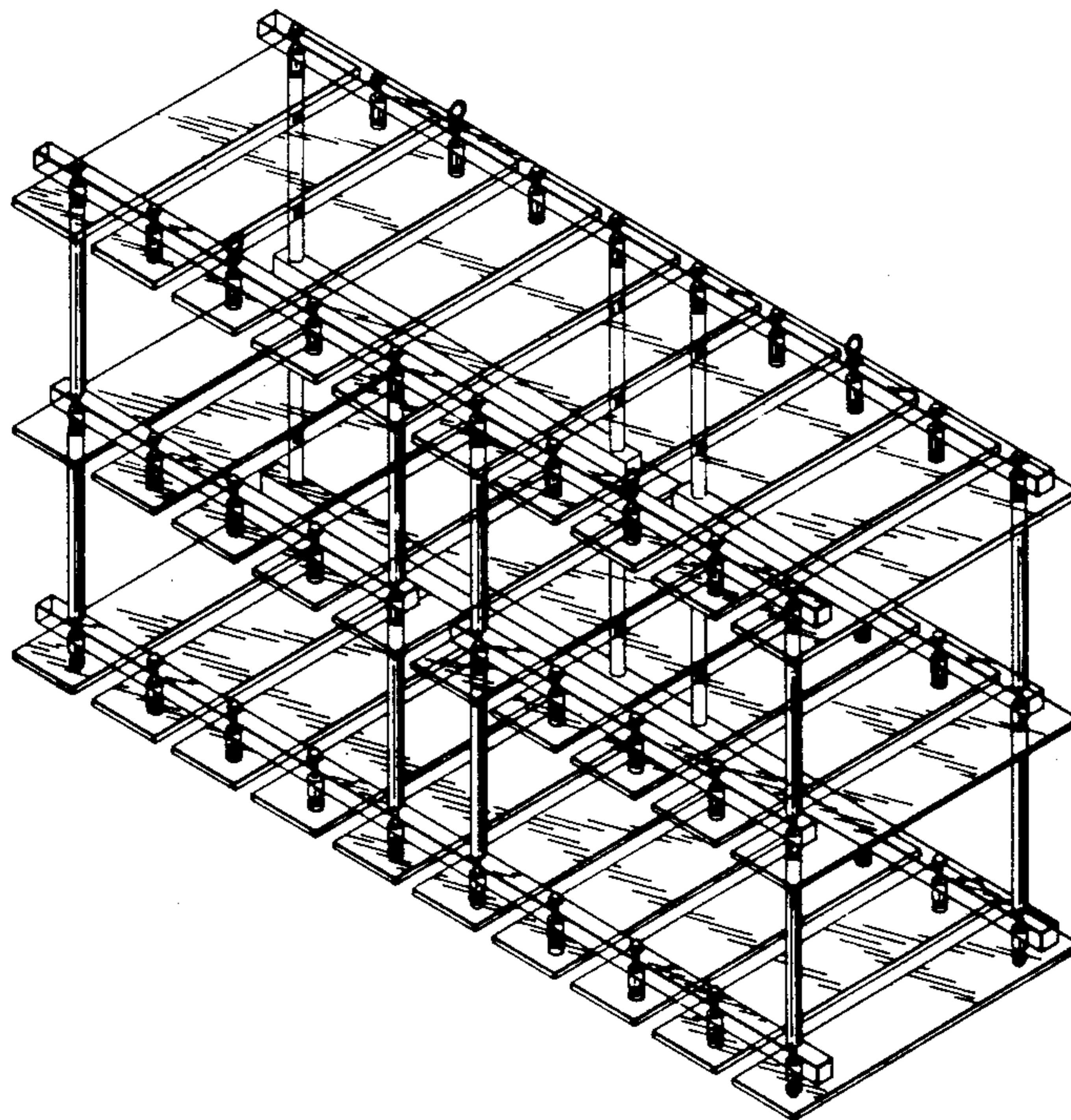
FIG. 1 is a view in perspective showing the top one side and one end of a drinking glass rack showing our new design;

FIG. 2 is a view in end elevation thereof showing the end shown in FIG. 1, the end opposite that shown being a mirror image;

FIG. 3 is a view in side elevation thereof showing the side shown in FIG. 1, the side opposite that shown being a mirror image;

FIG. 4 is a view in top plan thereof; and

FIG. 5 is a view in bottom plan thereof.



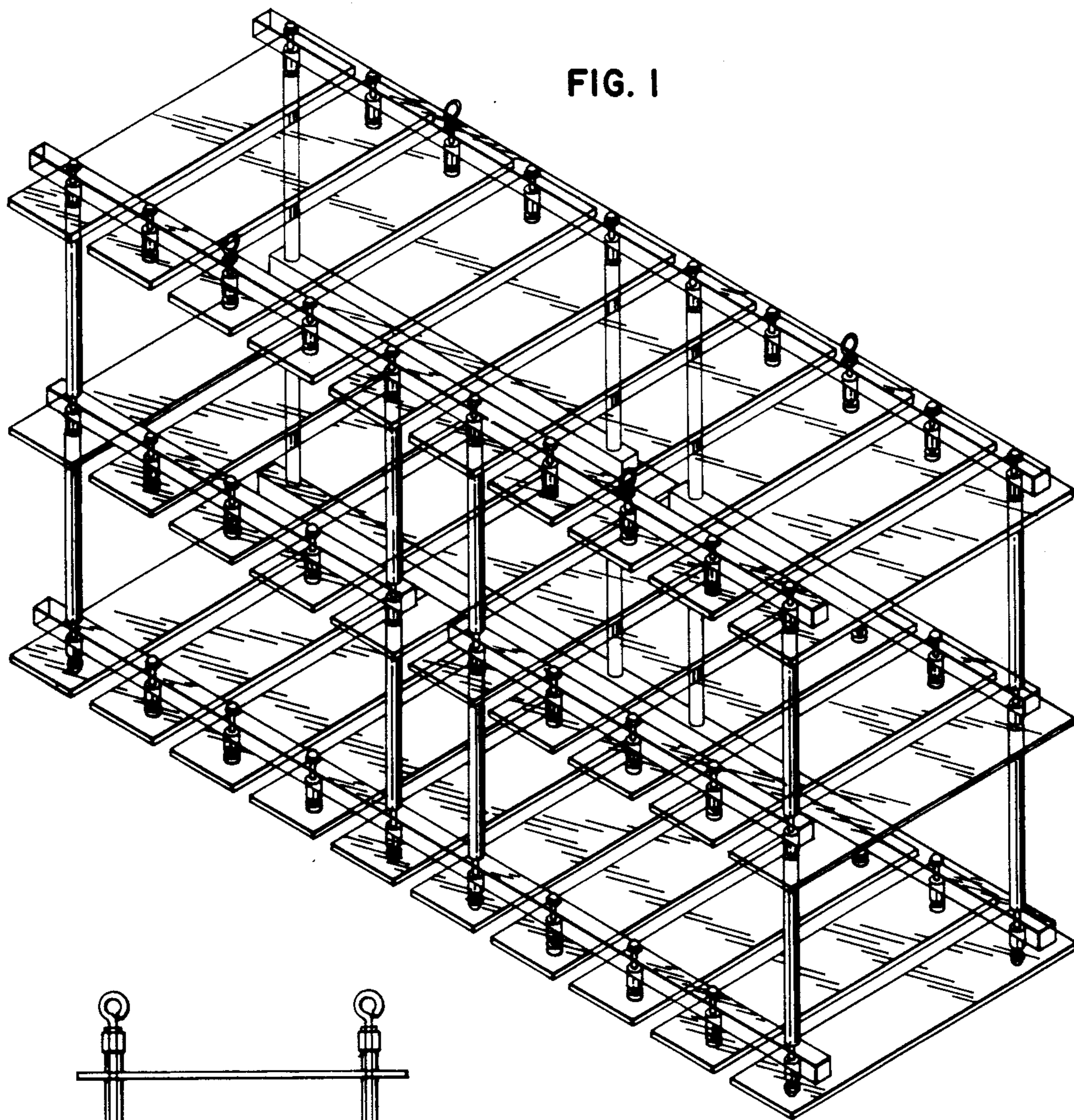


FIG. 1

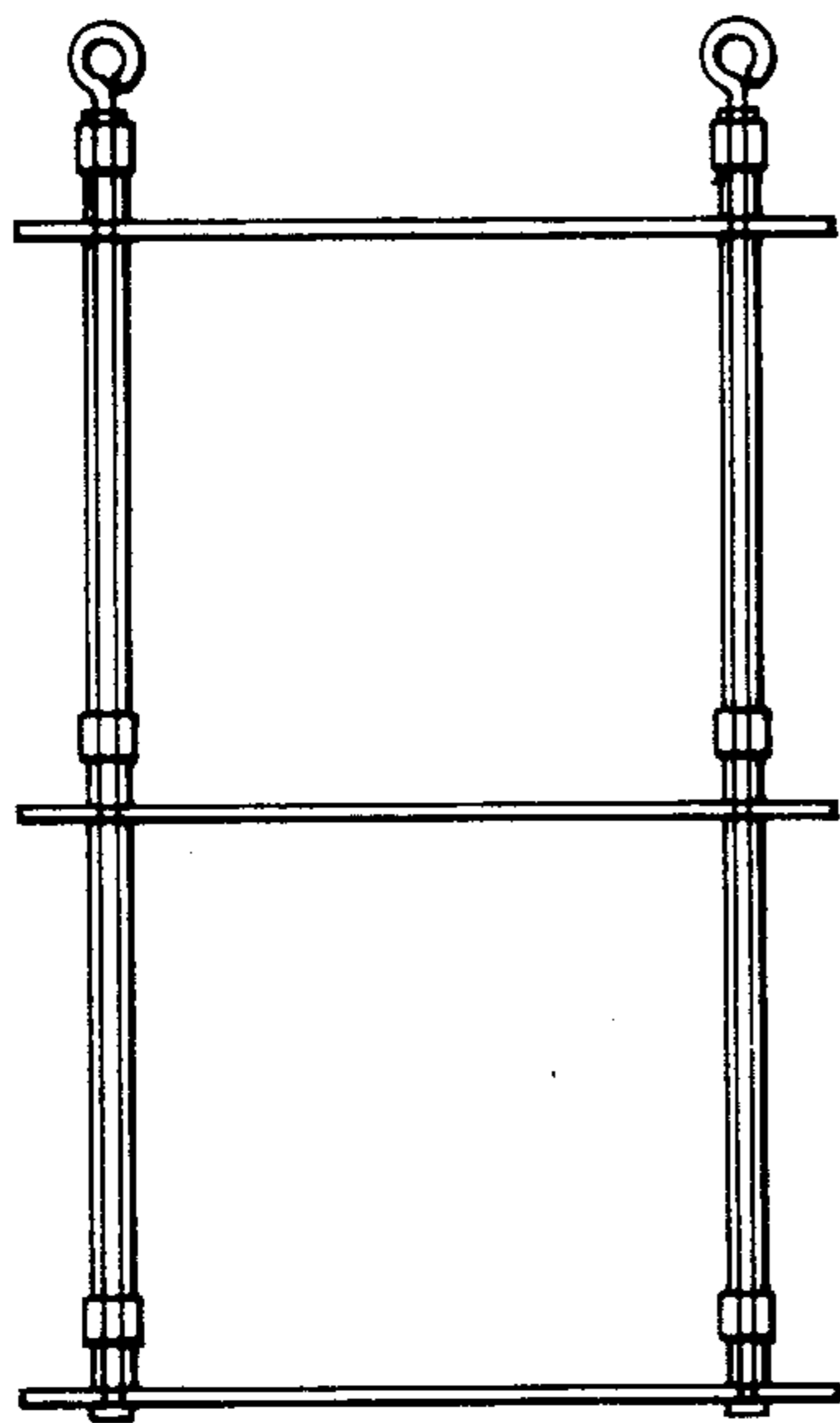


FIG. 2

FIG. 3

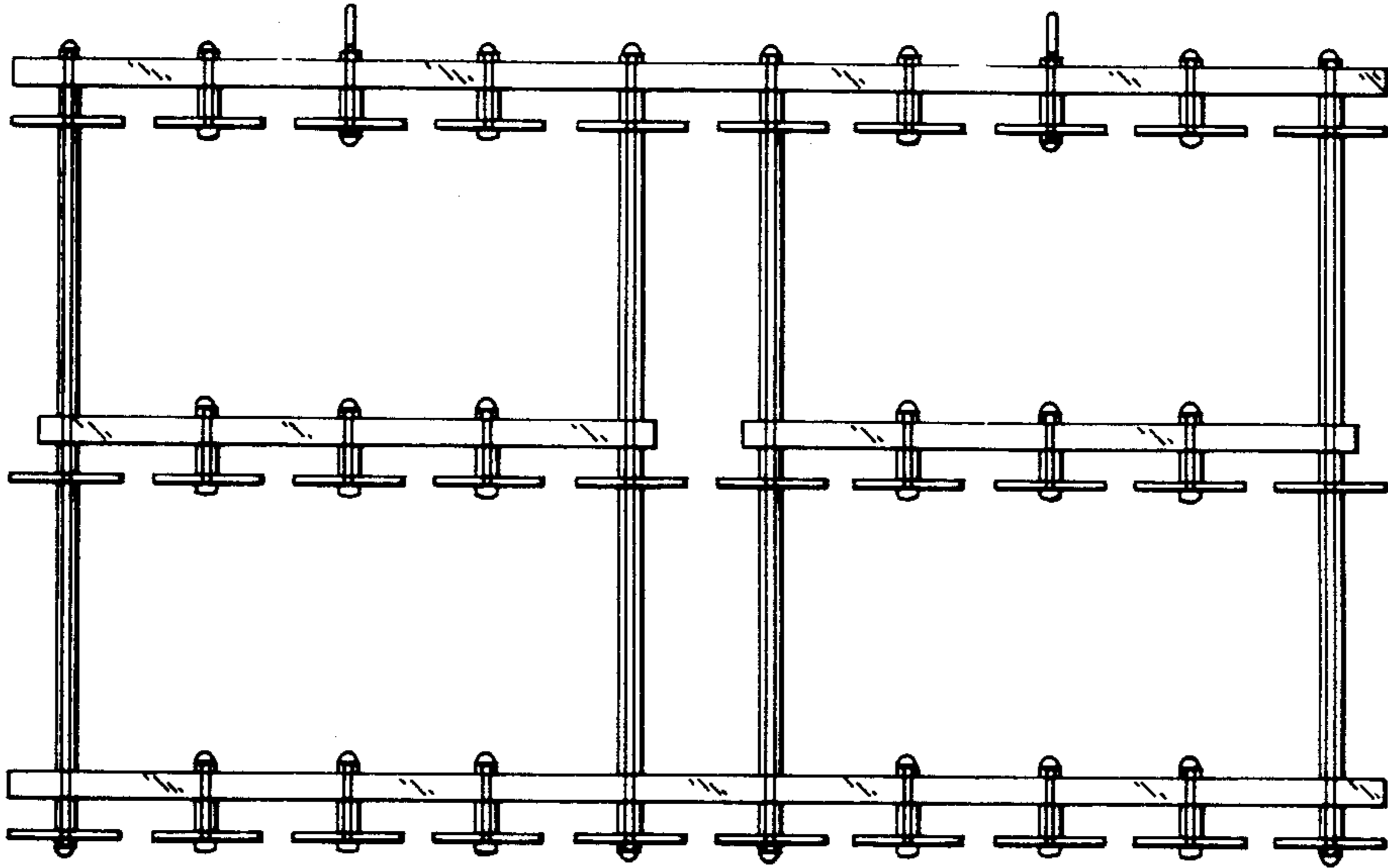


FIG. 4

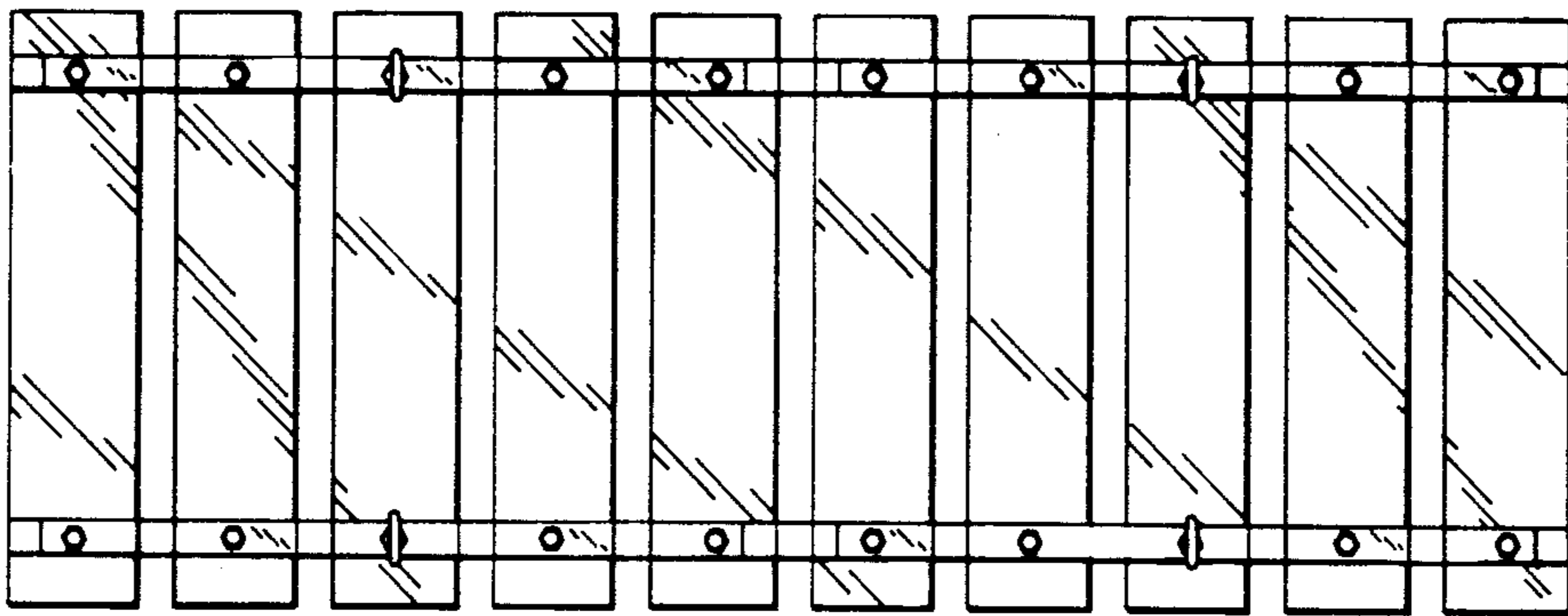


FIG. 5

