

[54] SKI BOOT

[75] Inventor: **Georges P. J. Salomon, Quintal, France**

[73] Assignee: **Ets. SA Francois Salomon & Fils**

[\*\*] Term: **14 Years**

[21] Appl. No.: **826,396**

[22] Filed: **Aug. 16, 1977**

[30] **Foreign Application Priority Data**

Mar. 3, 1977 [FR] France ..... 187

[51] Int. Cl. .... **D2-04**

[52] U.S. Cl. .... **D2/276**

[58] Field of Search ..... **D2/271, 272, 273, 274, D2/275, 276; 36/117, 118, 119, 120, 121**

[56]

**References Cited**

**U.S. PATENT DOCUMENTS**

|            |         |              |         |
|------------|---------|--------------|---------|
| D. 233,187 | 10/1974 | Hanson ..... | D2/276  |
| D. 233,188 | 10/1974 | Hanson ..... | D2/276  |
| 3,798,799  | 3/1974  | Hanson ..... | 36/121  |
| 3,945,135  | 3/1976  | Hanson ..... | 36/121  |
| 4,083,127  | 4/1978  | Hanson ..... | 36/71 X |

*Primary Examiner*—Nelson C. Holtje  
*Attorney, Agent, or Firm*—Eric H. Waters

[57]

**CLAIM**

The ornamental design for a ski boot, as shown.

**DESCRIPTION**

FIG. 1 is a top plan view of a ski boot showing my new design;

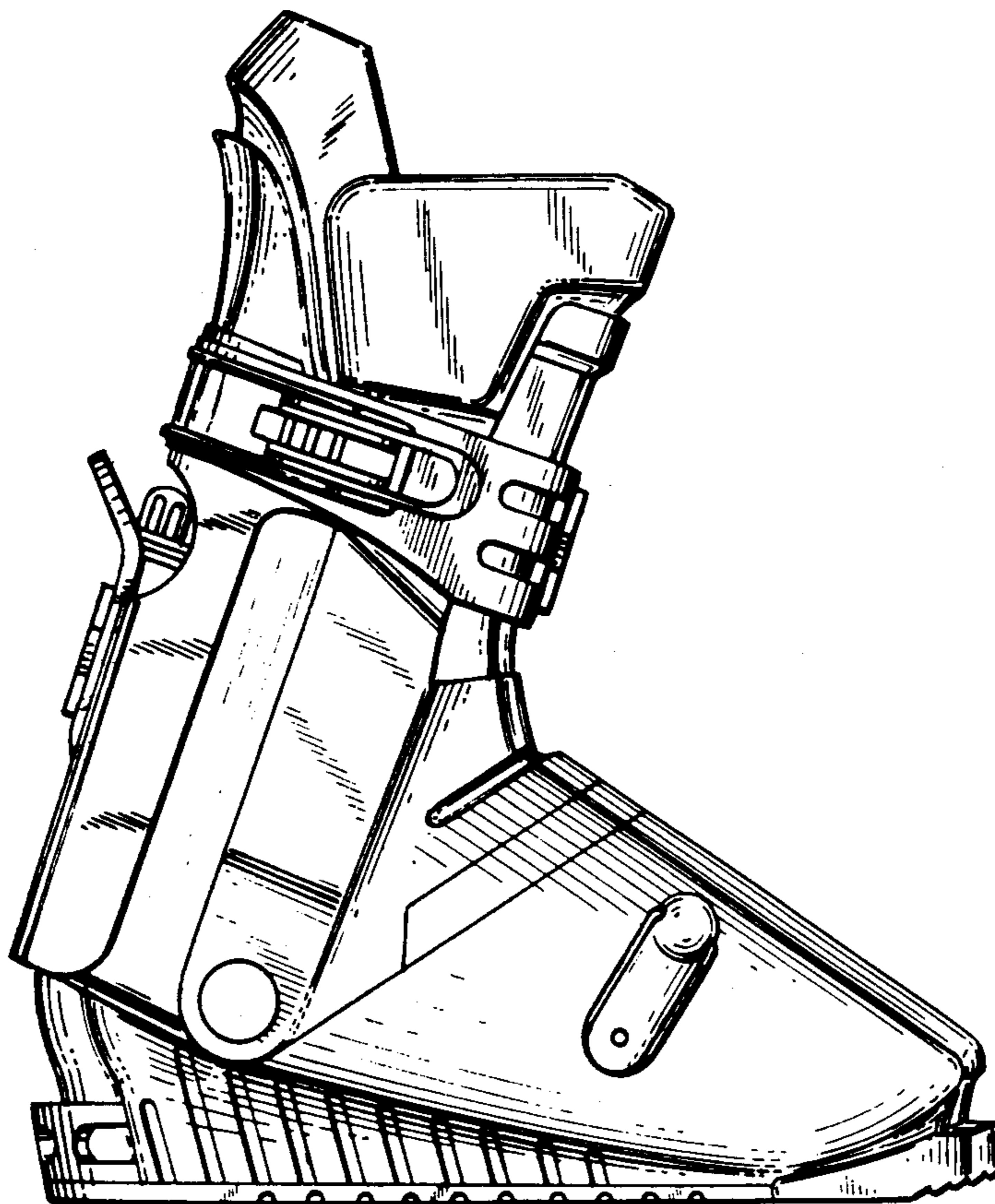
FIG. 2 is a right side elevational view thereof;

FIG. 3 is a left side elevational view thereof;

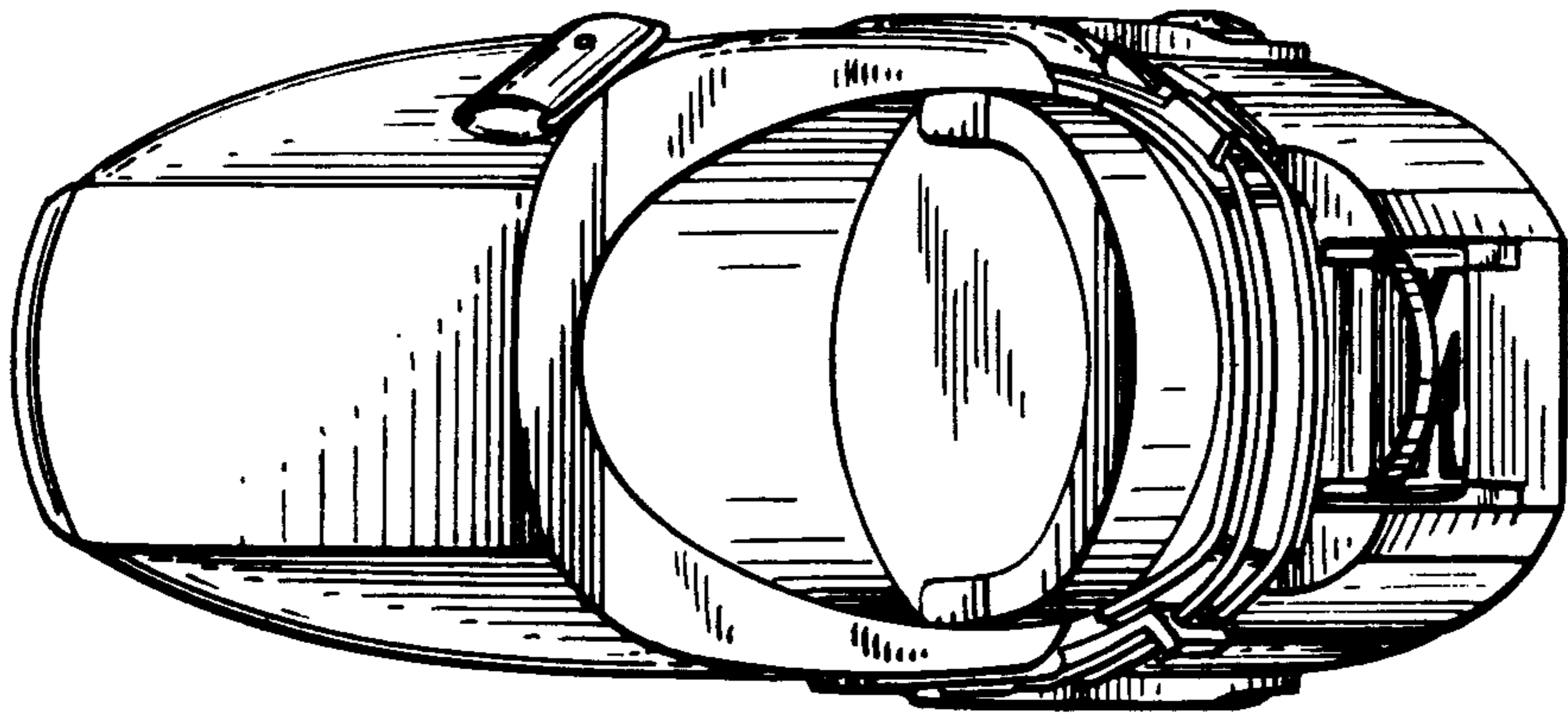
FIG. 4 is a bottom plan view thereof;

FIG. 5 is a front elevational view thereof;

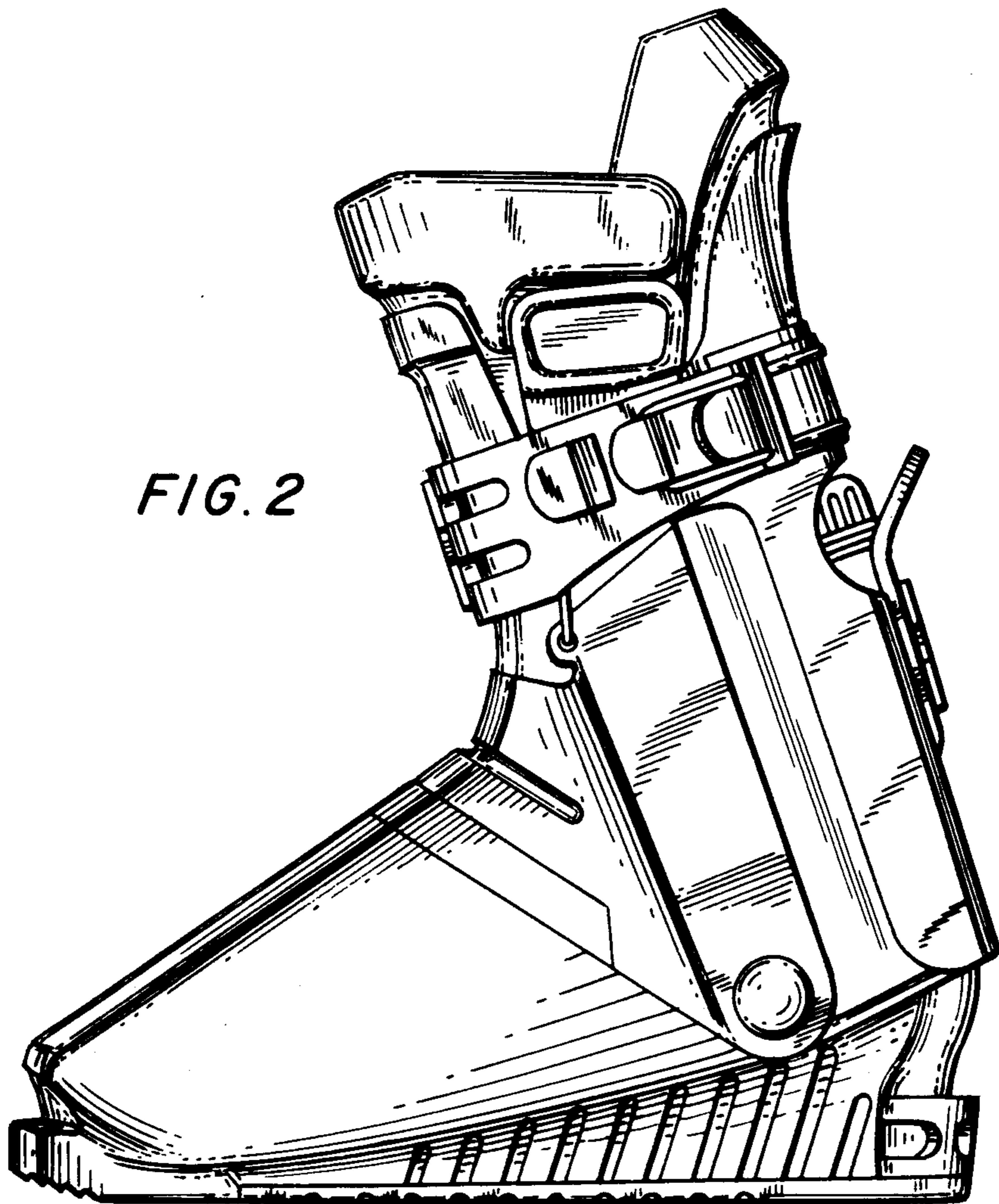
FIG. 6 is a rear elevational view thereof.



*FIG. 1*



*FIG. 2*



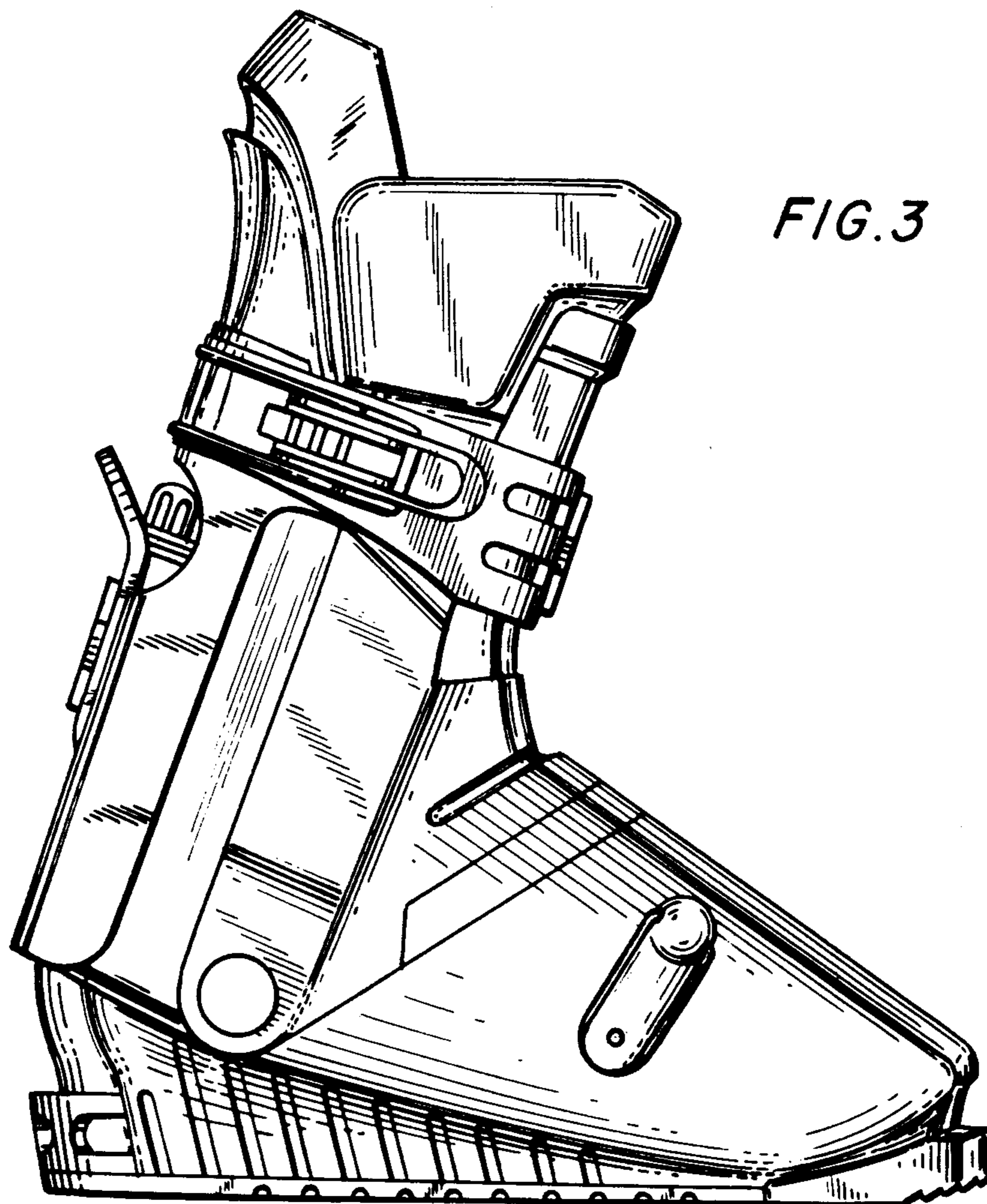


FIG. 3

FIG. 4

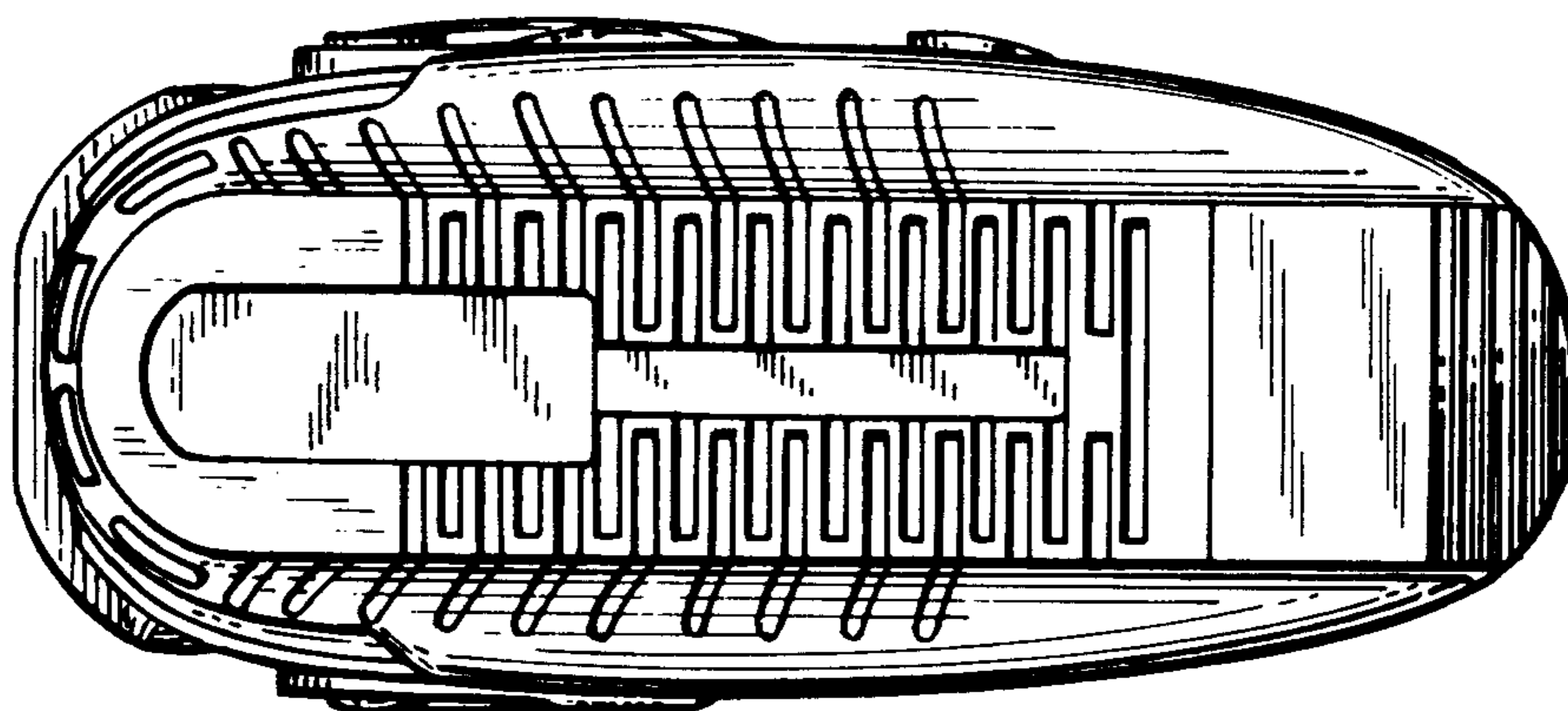




FIG. 6

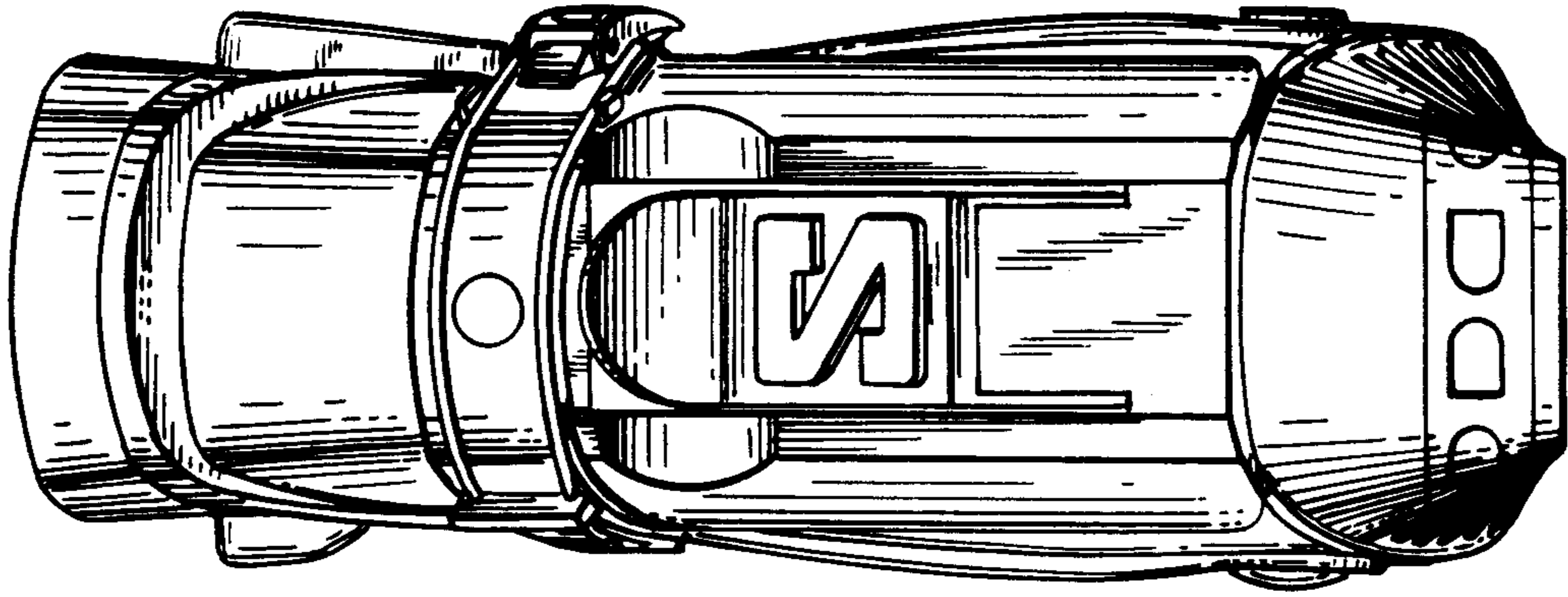


FIG. 5

