

[54] FLASHLIGHT

[75] Inventor: Yeung Sit-Lae, Kowloon, Hong Kong

[73] Assignee: Herbert J. Ashe, South Norwalk, Conn.

[**] Term: 14 Years

[21] Appl. No.: 901,279

[22] Filed: Apr. 27, 1978

[30] Foreign Application Priority Data

Nov. 1, 1977 [GB] United Kingdom 982099

[51] Int. Cl. D26-02

[52] U.S. Cl. D48/24 A

[58] Field of Search D48/24 A; 362/157, 183, 362/189, 190, 194, 195, 196, 197, 198, 199, 200, 201, 202, 203, 204, 205

[56] References Cited

U.S. PATENT DOCUMENTS

D. 235,575 6/1975 Brindley D48/24 A
3,539,800 11/1970 Doring D48/24 A X

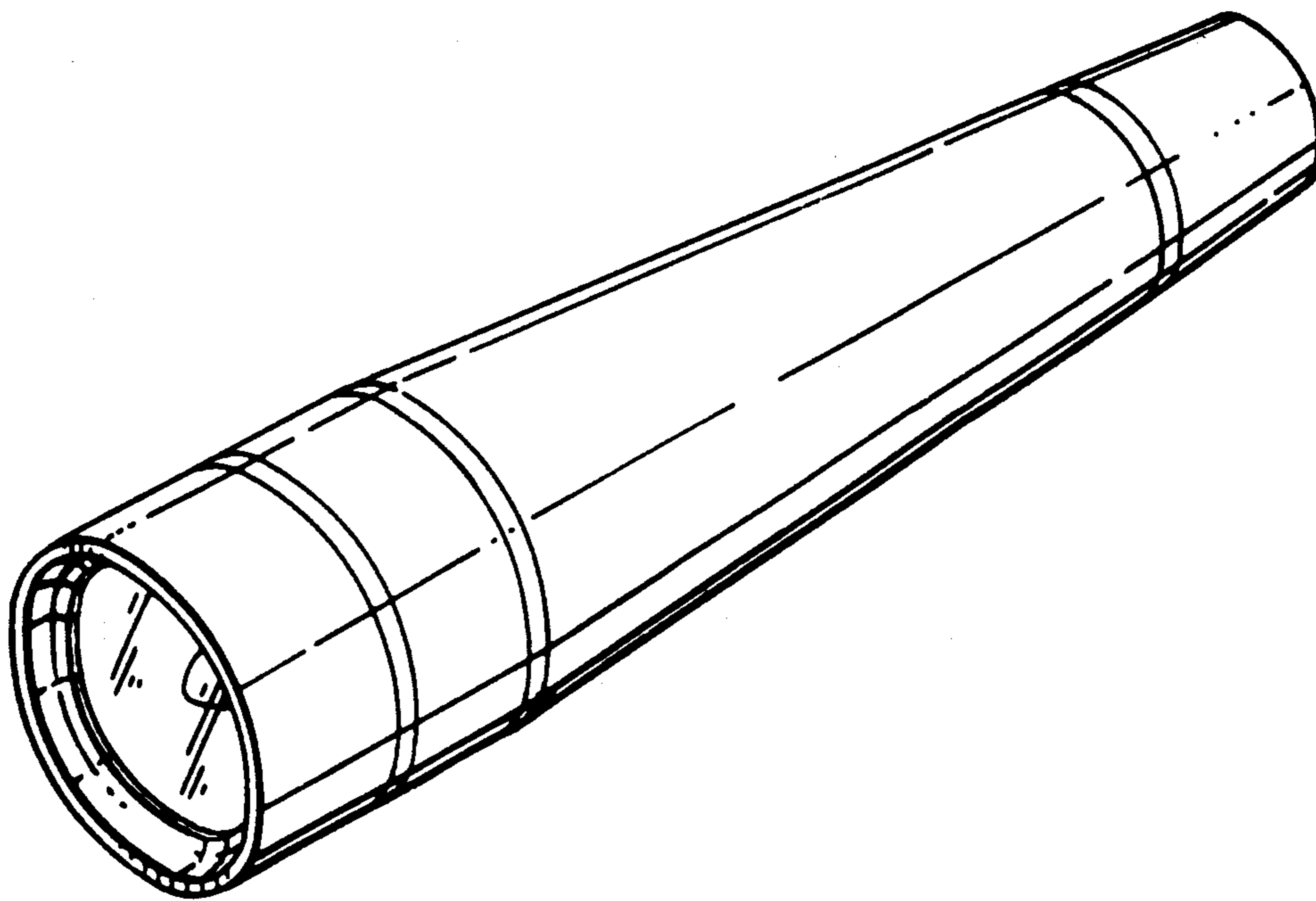
Primary Examiner—Susan J. Lucas
Attorney, Agent, or Firm—Ervin B. Steinberg

[57] CLAIM

The ornamental design for a flashlight, substantially as shown.

DESCRIPTION

FIG. 1 is a front perspective view from above and one side of the flashlight showing my new design; FIG. 2 is an elevational view of the other side, and FIG. 3 is a rear elevational view.



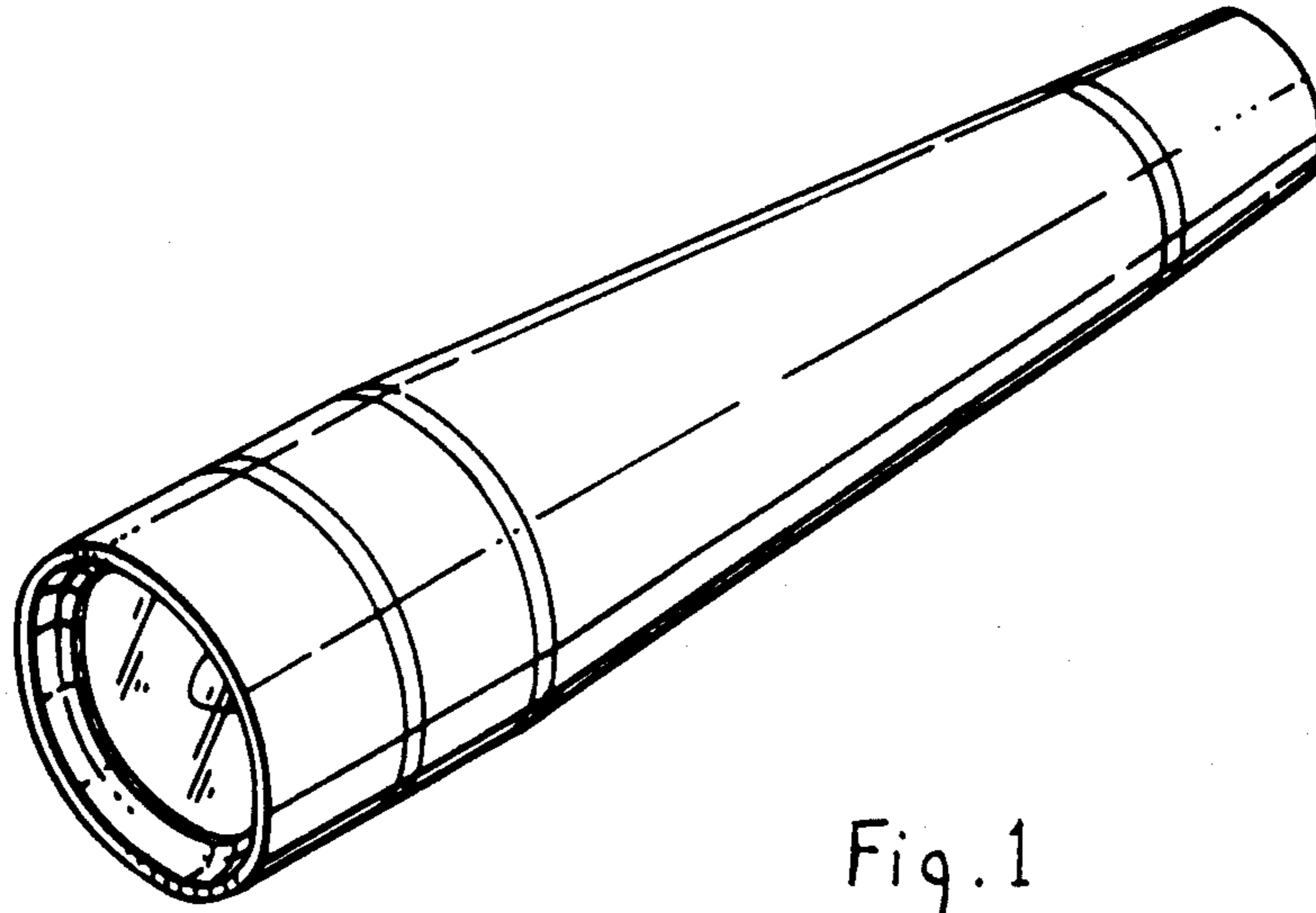


Fig. 1

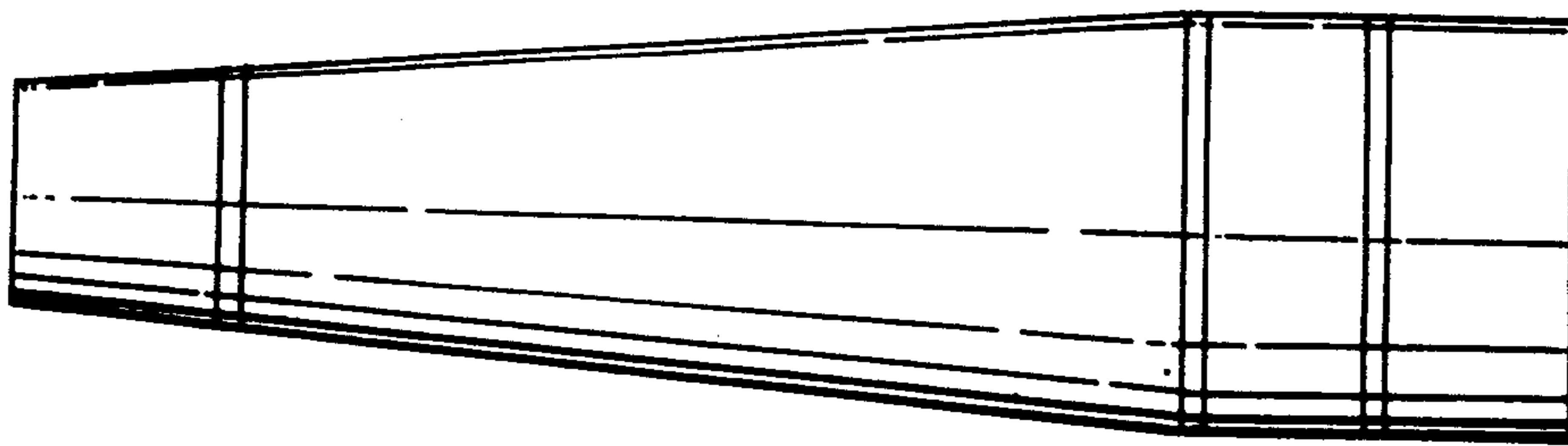


Fig. 2

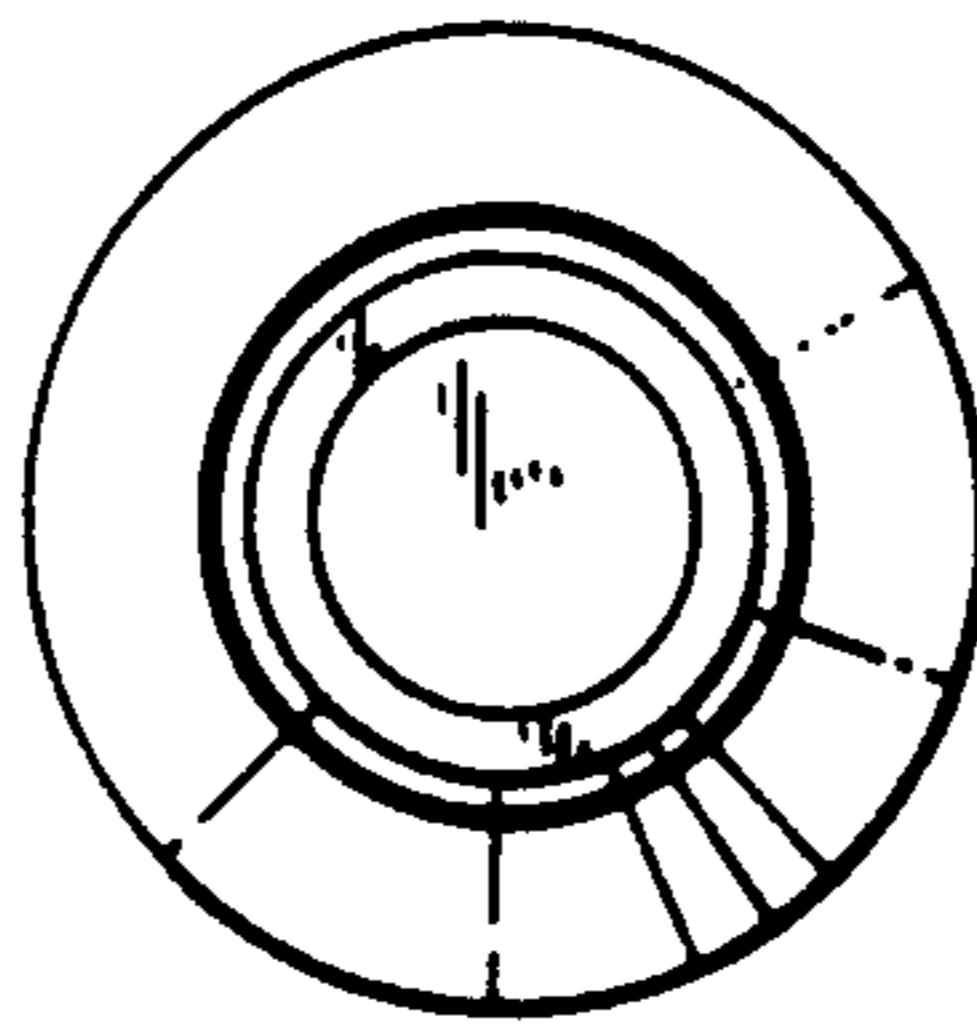


Fig. 3