

[54] HAND BASIN

[75] Inventor: **Bruce R. Thompson**, Tranmere, Australia

[73] Assignee: **United Packages Limited**, Queensland, Australia

[**] Term: **14 Years**

[21] Appl. No.: **857,276**

[22] Filed: **Dec. 5, 1977**

[51] Int. Cl. **D23-02**

[52] U.S. Cl. **D23/58**

[58] Field of Search **D23/48-71;**
4/166, 167, 173, 175, 177, 187

[56] **References Cited**

U.S. PATENT DOCUMENTS

- D. 38,040 5/1906 Kelly D23/58
- D. 57,770 5/1921 Crane D23/58
- D. 190,987 8/1961 Margolies D23/58
- D. 216,311 12/1969 Fortuno D23/58

- D. 224,307 7/1972 Bogna D23/58
- D. 231,675 5/1974 Fee D23/58

Primary Examiner—James R. Largen
Attorney, Agent, or Firm—James B. Kinzer

[57] **CLAIM**

The ornamental design for a hand basin, as shown.

DESCRIPTION

FIG. 1 is a perspective view taken from the front, top and right side of a hand basin showing my new design; FIG. 2 is a perspective view taken from the bottom and rear thereof; FIG. 3 is a front elevational view thereof; FIG. 4 is a rear elevational view thereof; FIG. 5 is a top plan view thereof; FIG. 6 is a cross sectional view taken on line 6—6 of FIG. 5; FIG. 7 is a left side elevational view thereof; FIG. 8 is a right side elevational view thereof; and FIG. 9 is a cross sectional view taken on line 9—9 of FIG. 5.

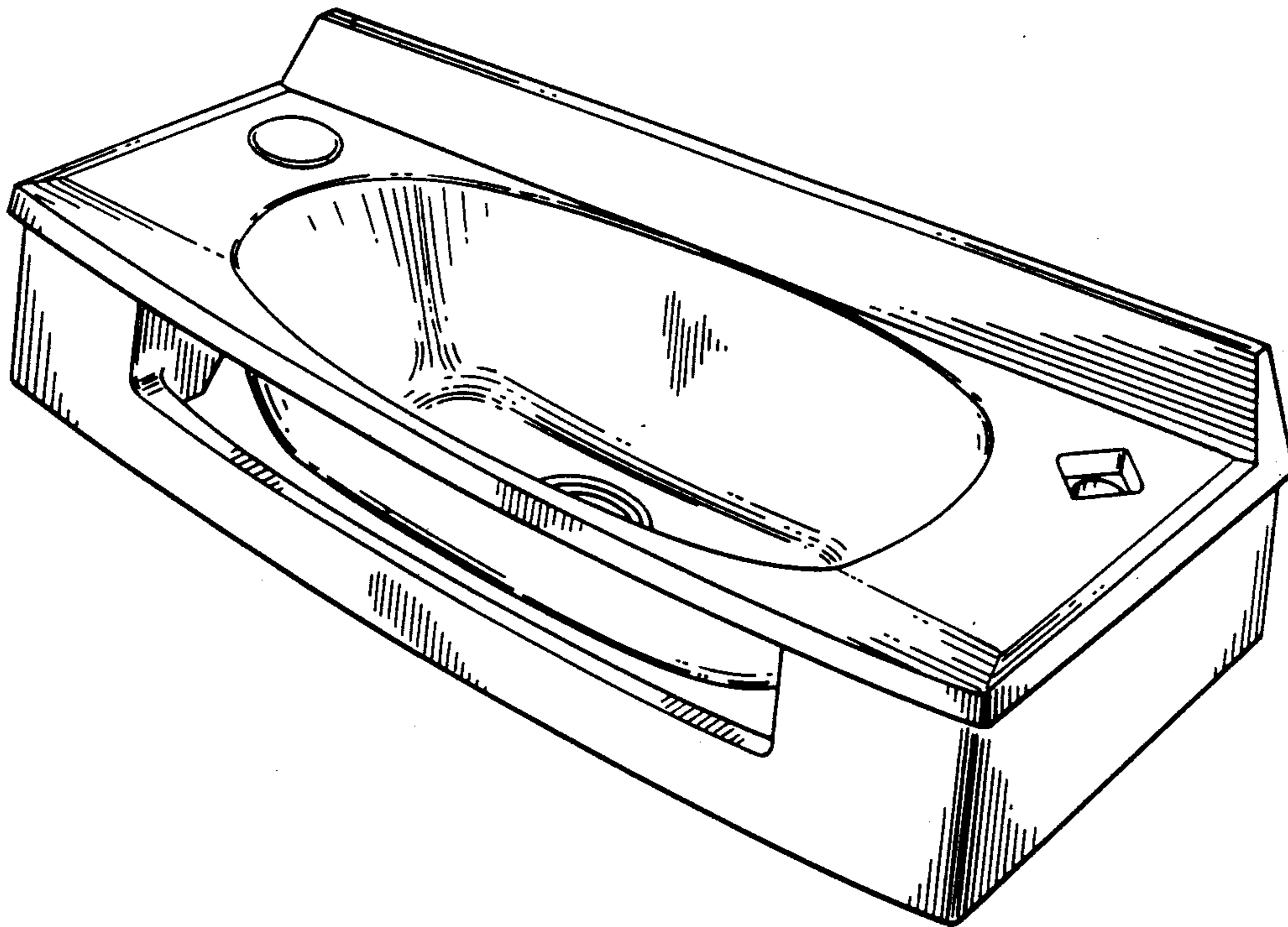


fig. 1.

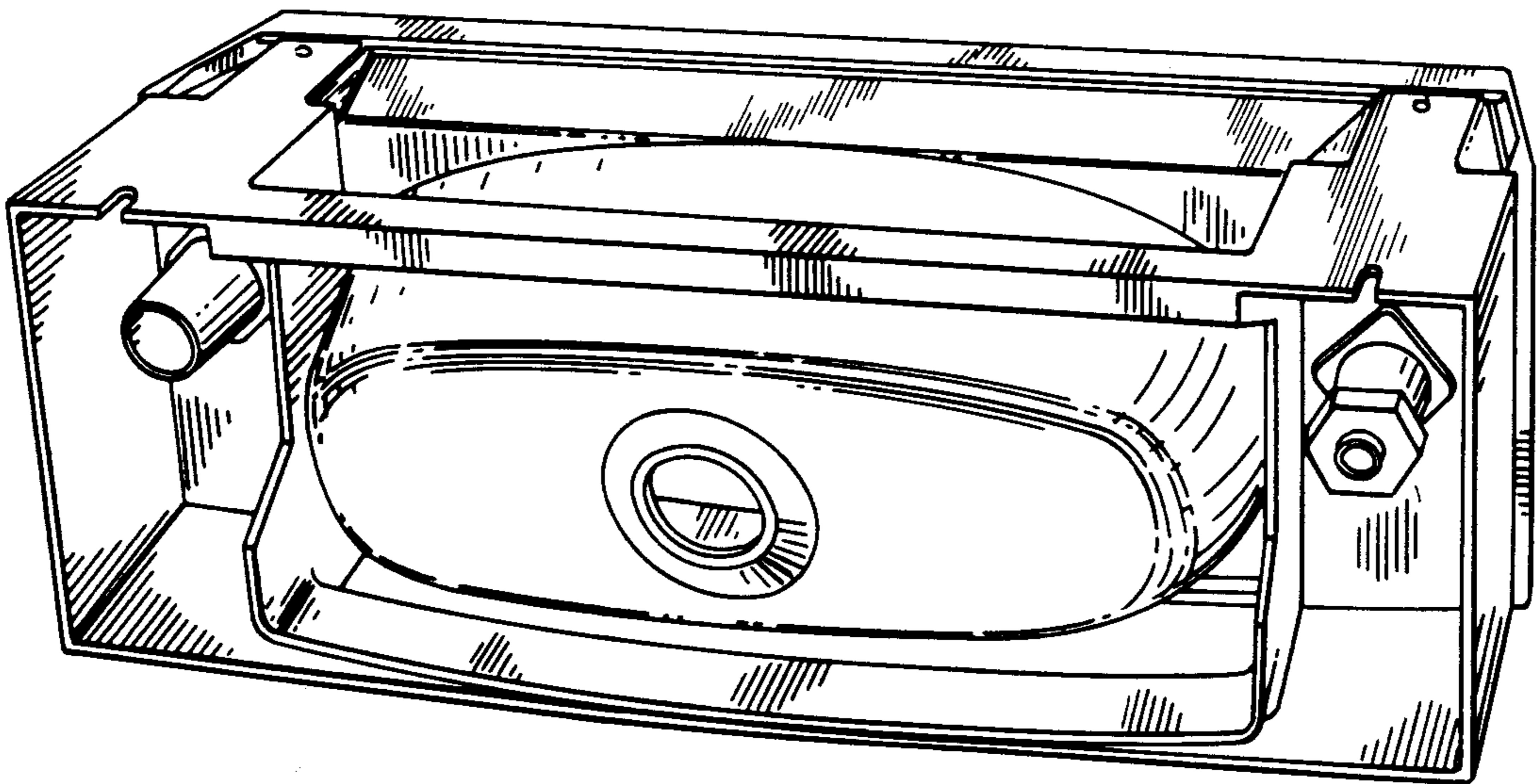
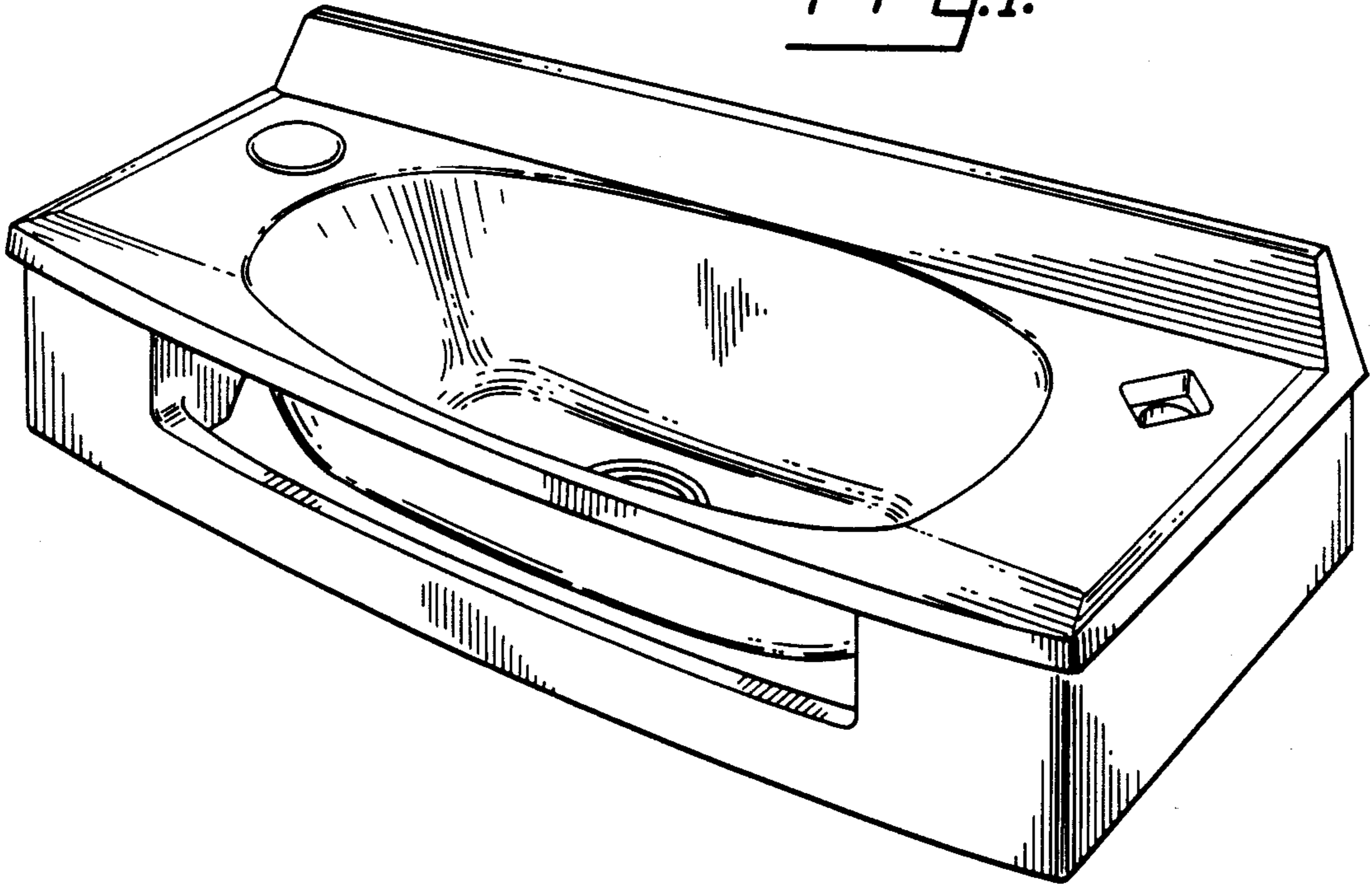


fig. 2.

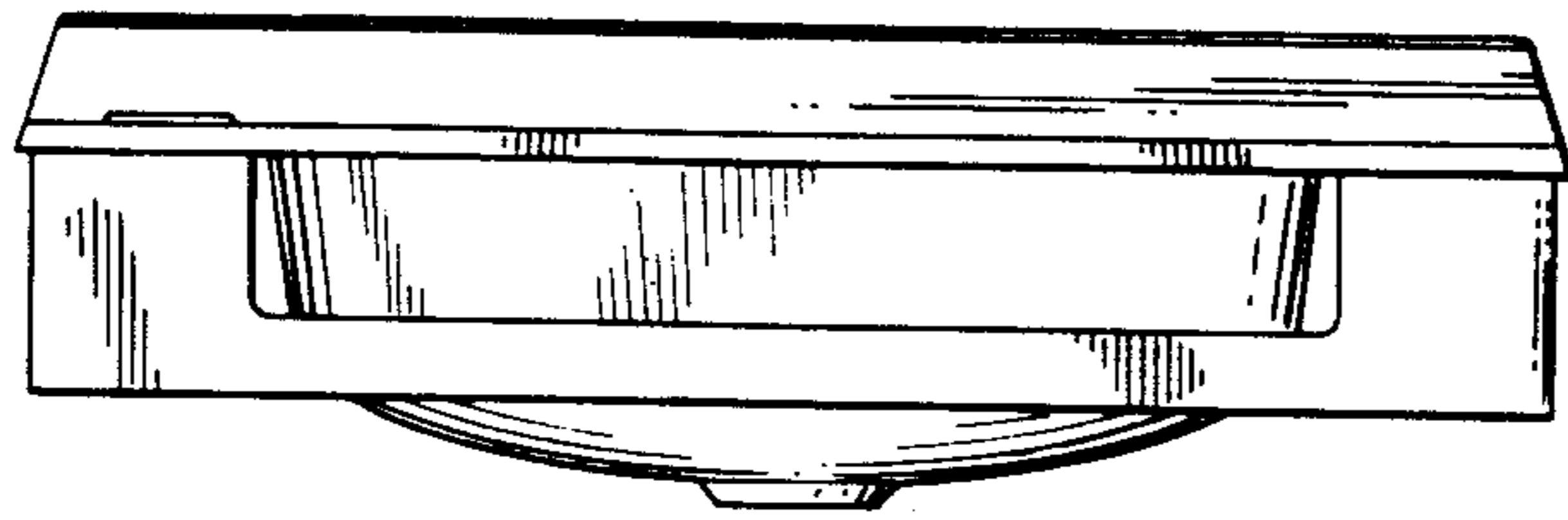


FIG 3

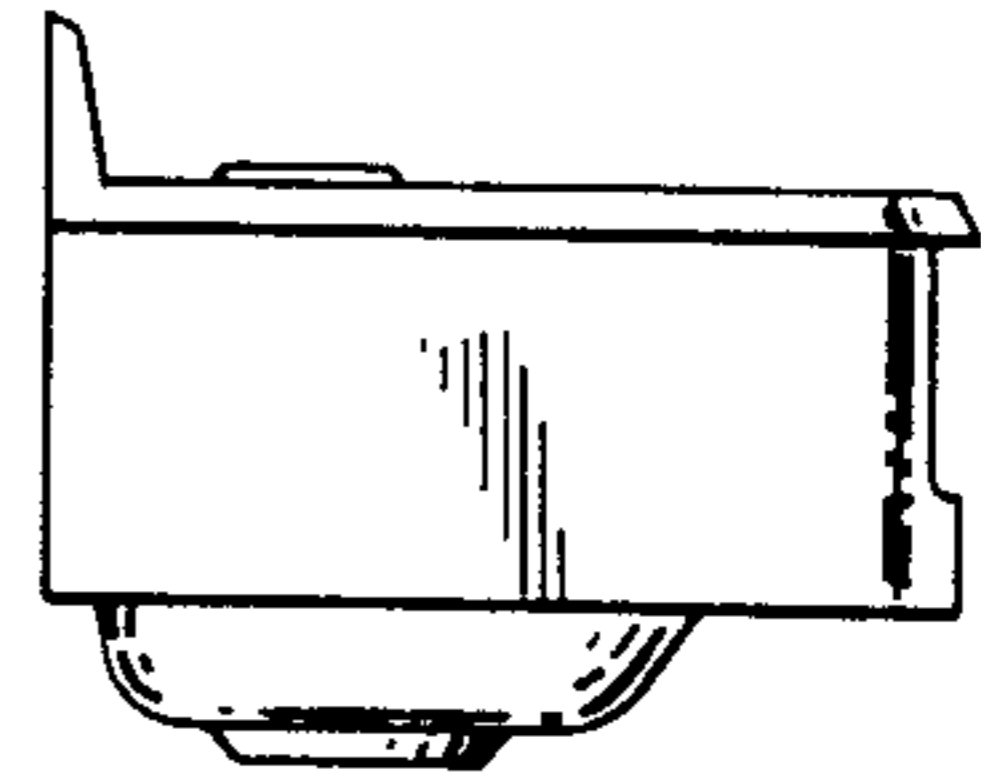


FIG 7

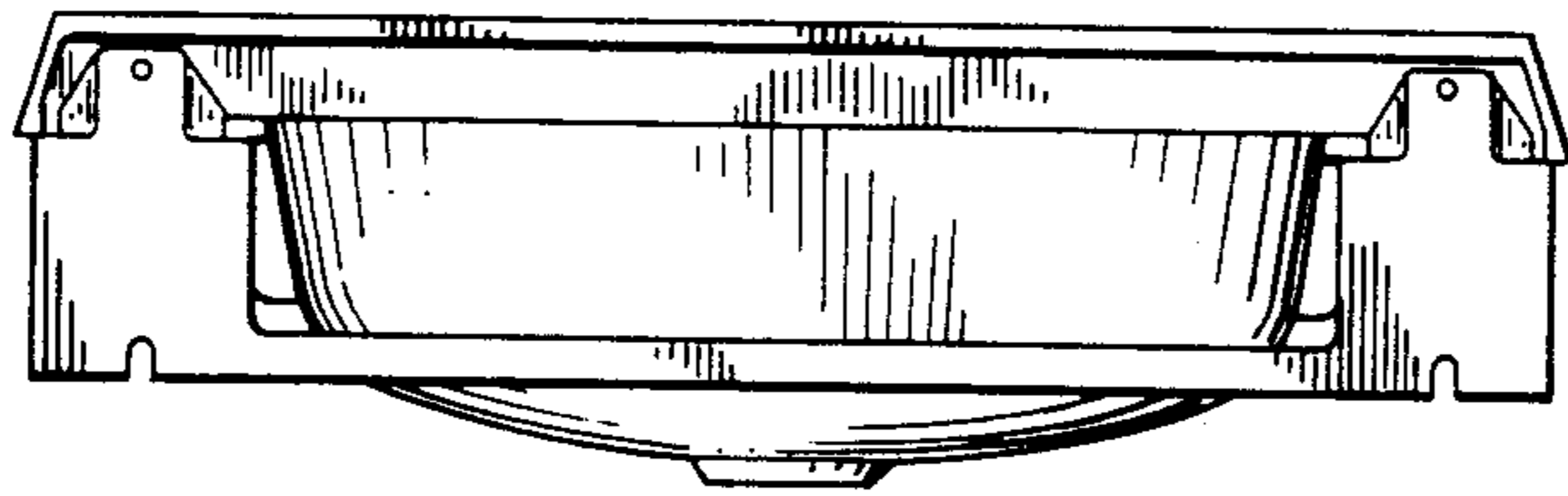


FIG 4

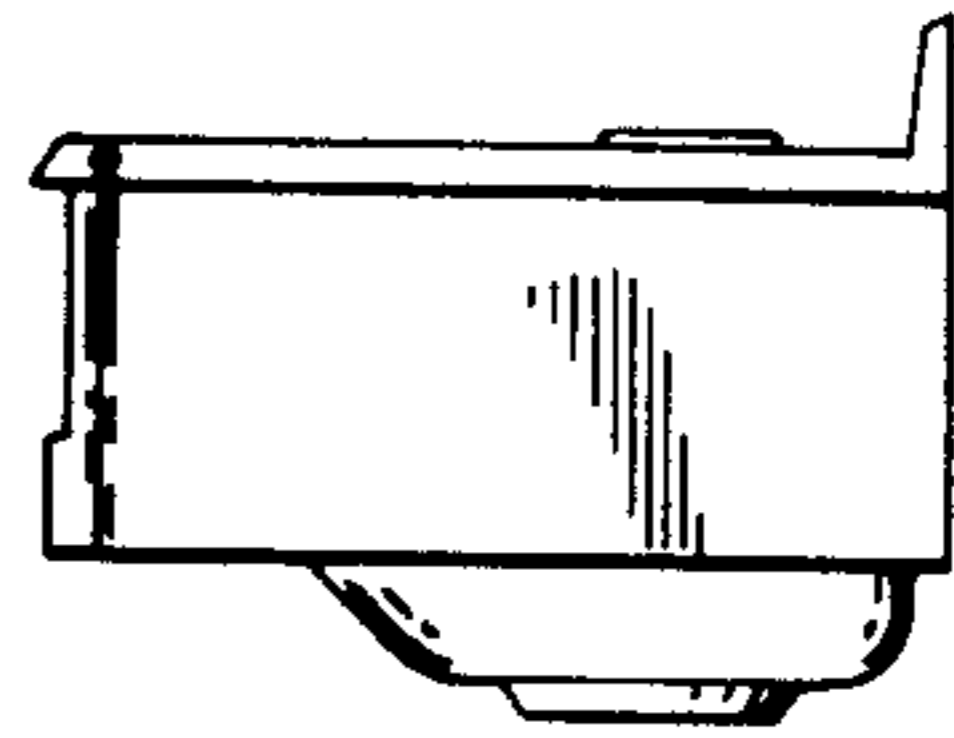


FIG 8

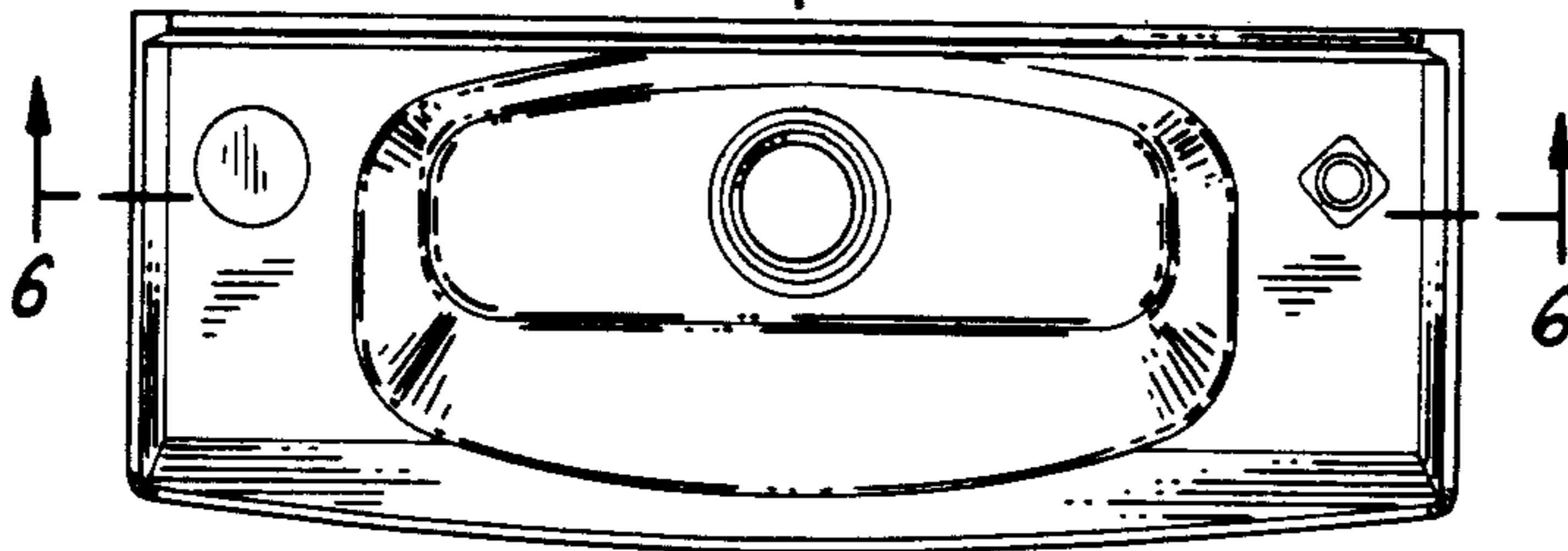


FIG 5

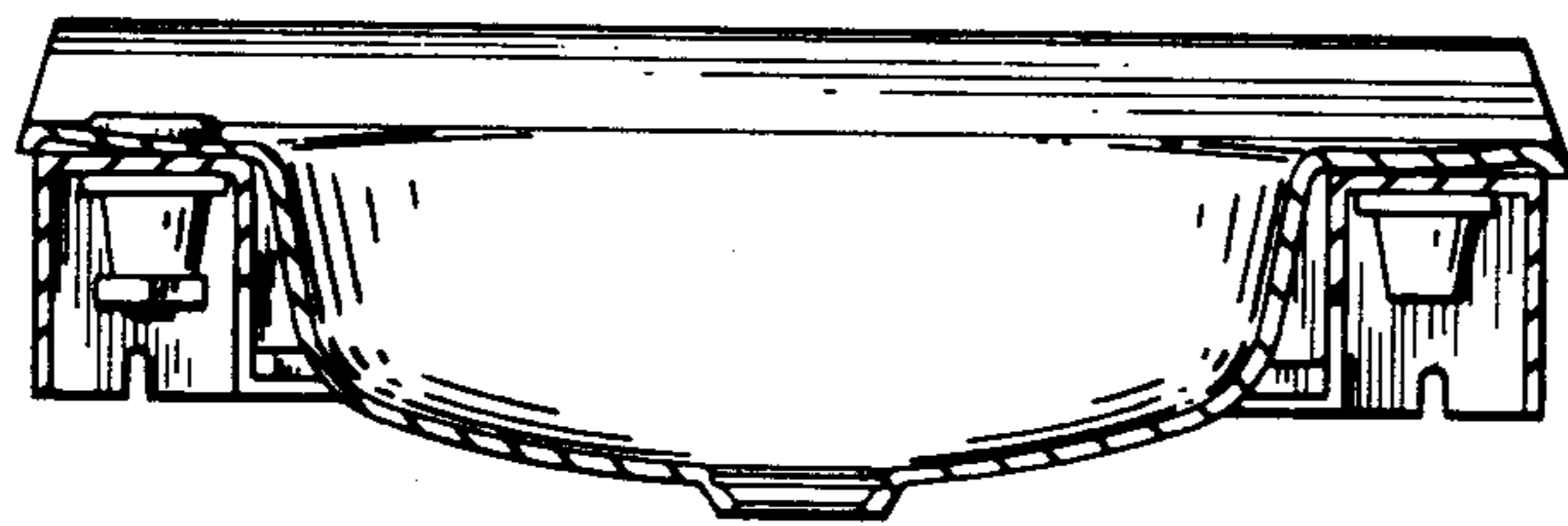


FIG 6

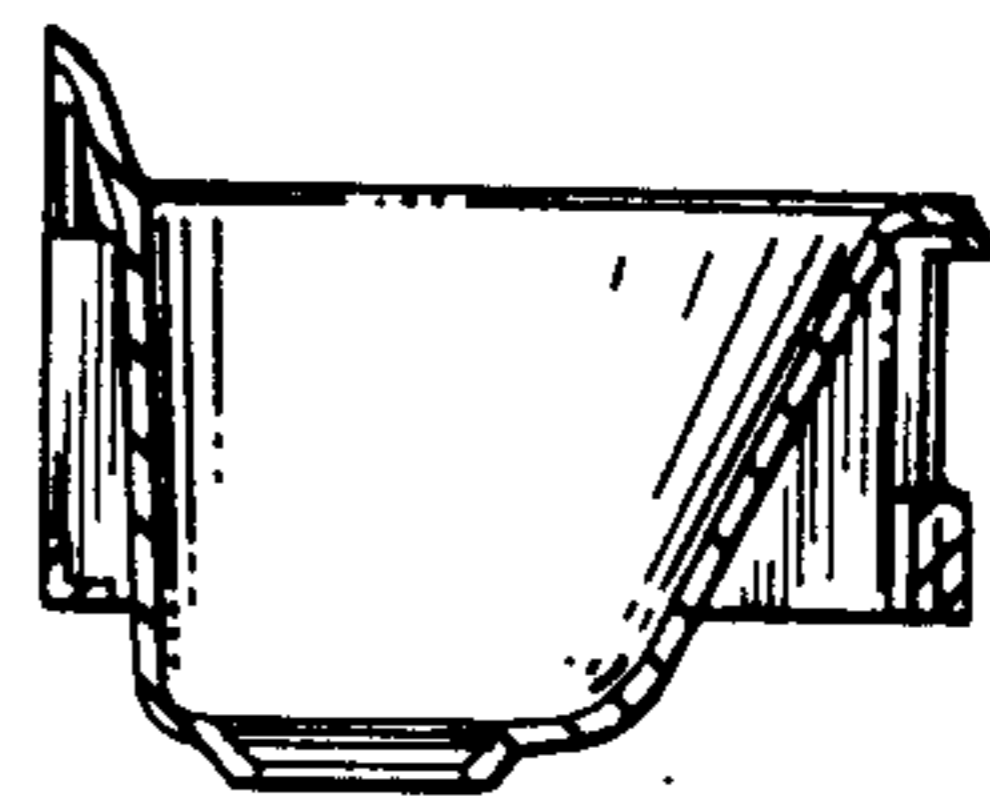


FIG 9