

[54] CRAFT BOARD FOR RUG MAKING

[76] Inventor: Frieda P. Thuringer, 2755 Hillcrest Dr., Wellsville, N.Y. 14895

[**] Term: 14 Years

[21] Appl. No.: 889,620

[22] Filed: Mar. 23, 1978

[51] Int. Cl. D19-06

[52] U.S. Cl. D19/35; D19/75; D19/77; D19/79; D19/83

[58] Field of Search D19/20, 21, 75, 77, D19/85, 83, 35; D3/19 R, 19 B, 19 D; 211/69; 206/564; 28/149; D6/186, 188, 114

[56] References Cited

U.S. PATENT DOCUMENTS

| | | | |
|------------|---------|--------------------|---------|
| D. 72,129 | 3/1927 | Arnett et al. | D6/114 |
| D. 161,644 | 1/1951 | Rabinowitz | D3/19 D |
| D. 181,305 | 10/1957 | Martino | D19/83 |
| D. 224,168 | 7/1972 | Hooker | D19/77 |

Primary Examiner—Melvin B. Feifer
Assistant Examiner—George P. Word
Attorney, Agent, or Firm—D. Edward Dolgorukov

[57] CLAIM

The ornamental design for a craft board for rug making, as shown and described.

DESCRIPTION

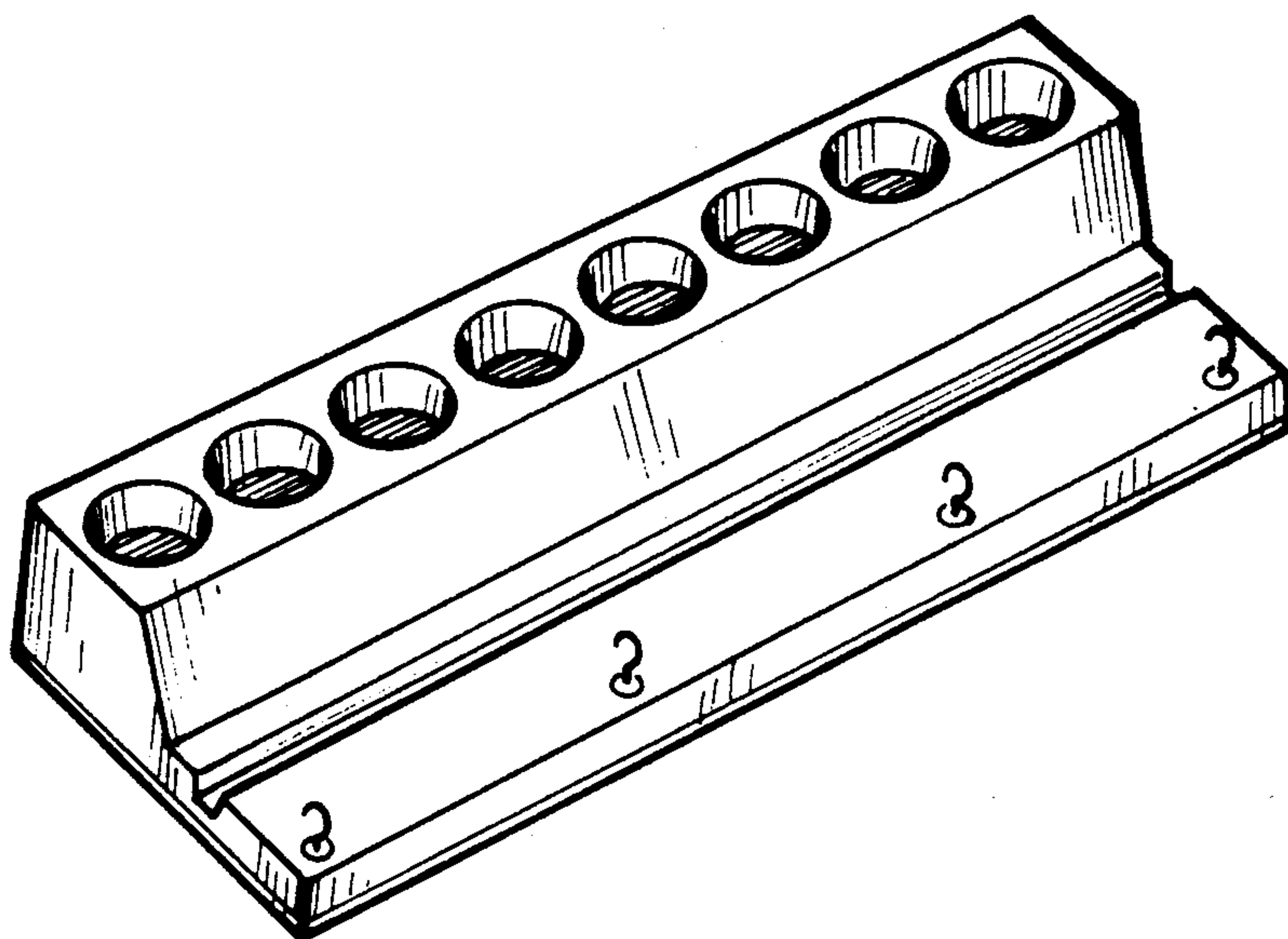
FIG. 1 is a perspective view of a craft board for rug making showing my new design.

FIG. 2 is a top plan view.

FIG. 3 is a front elevational view.

FIG. 4 is a bottom plan view.

FIG. 5 is a left end elevational view.



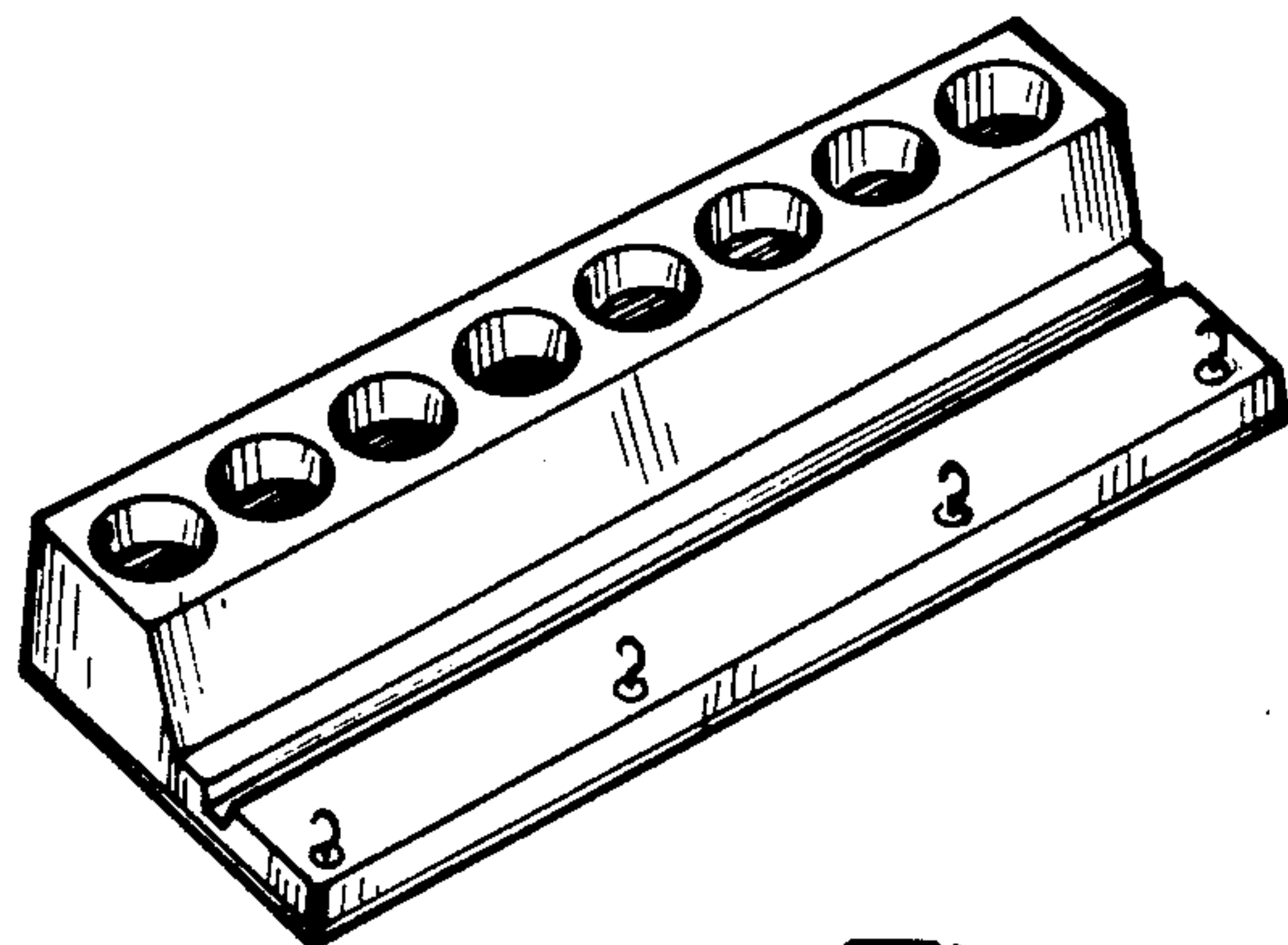


Fig-1

Fig-2

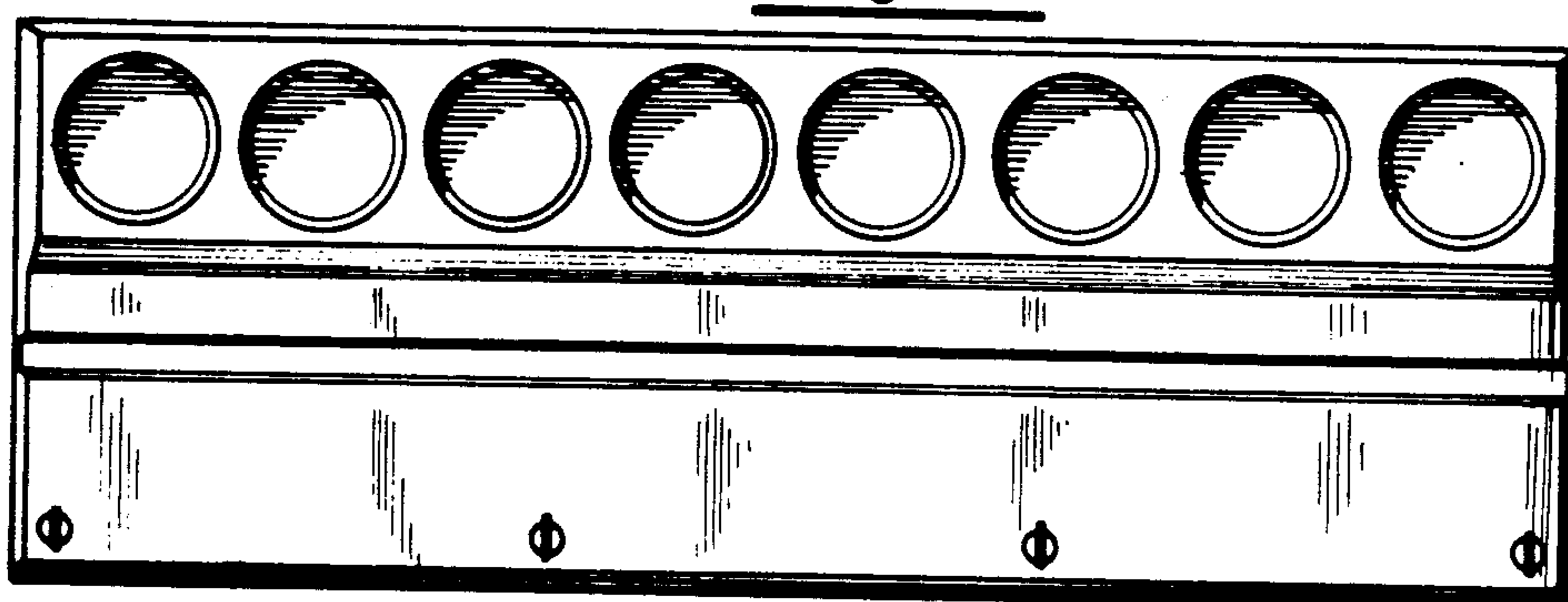


Fig-3

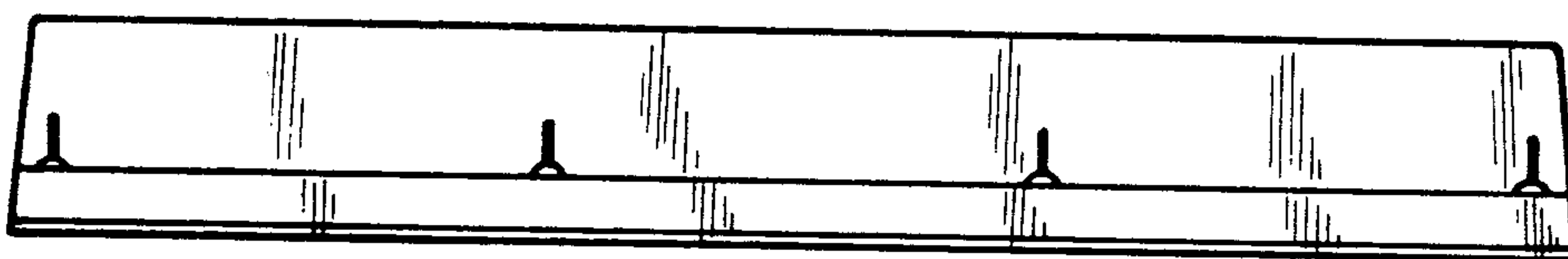


Fig-4

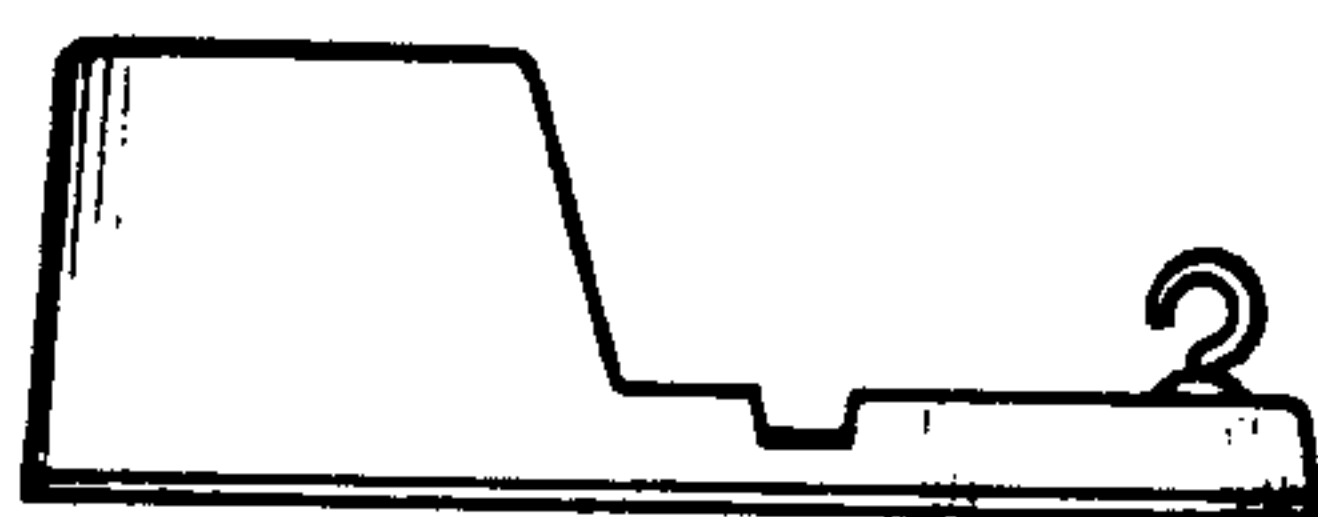
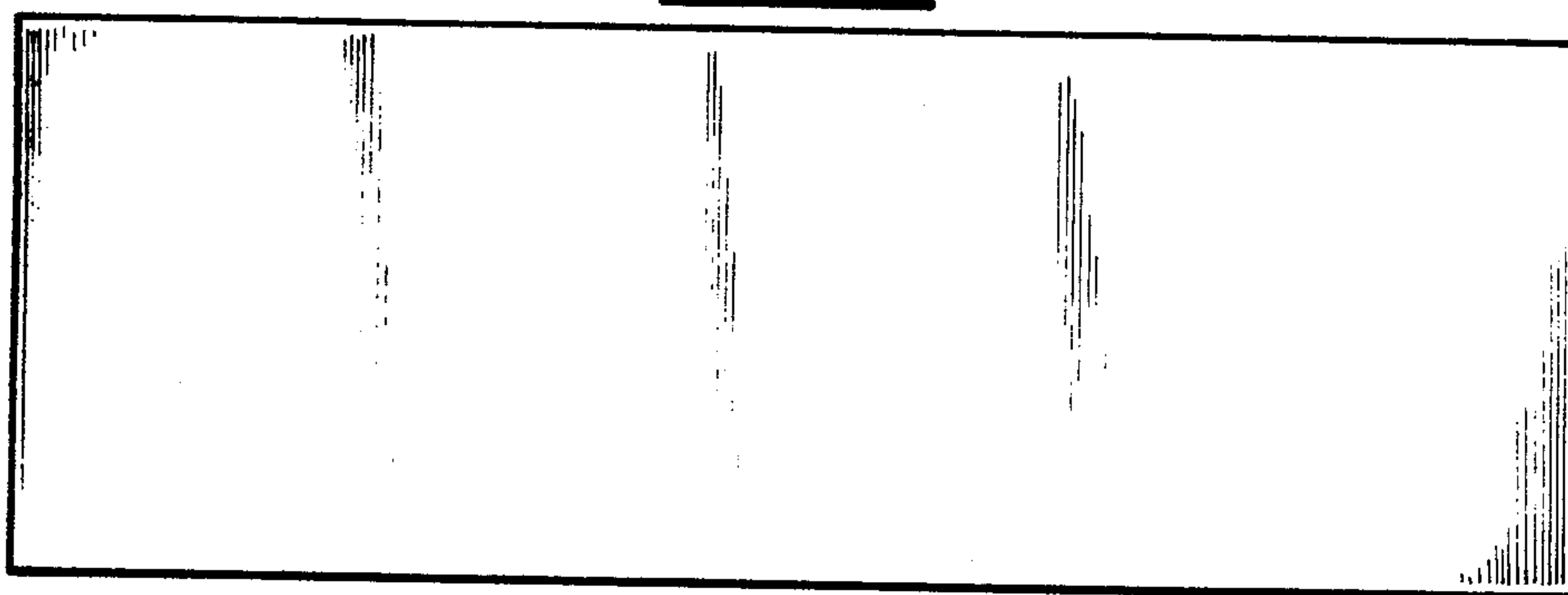


Fig-5