

[54] PAIR OF SPECTACLES

[75] Inventor: **Richard W. Canavan, III**, South Woodstock, Conn.

[73] Assignee: **American Optical Corporation**, Southbridge, Mass.

[**] Term: **14 Years**

[21] Appl. No.: **866,327**

[22] Filed: **Jan. 3, 1978**

[51] Int. Cl. **D16-06**

[52] U.S. Cl. **D16/65**

[58] Field of Search D16/65; 351/41, 47, 351/49, 51, 52, 59, 83, 85-95, 98, 101, 102, 103, 104, 106, 111, 112, 114, 116, 122, 123

[56] **References Cited**

U.S. PATENT DOCUMENTS

- D. 242,854 12/1976 Beane D16/65
- D. 243,330 2/1977 Pichler D16/65

3,884,561 5/1975 Kodys 351/83

FOREIGN PATENT DOCUMENTS

896445 5/1944 France 351/83

Primary Examiner—Susan J. Lucas

Attorney, Agent, or Firm—Jeremiah J. Duggan

[57] **CLAIM**

The ornamental design for a pair of spectacles, as shown and described.

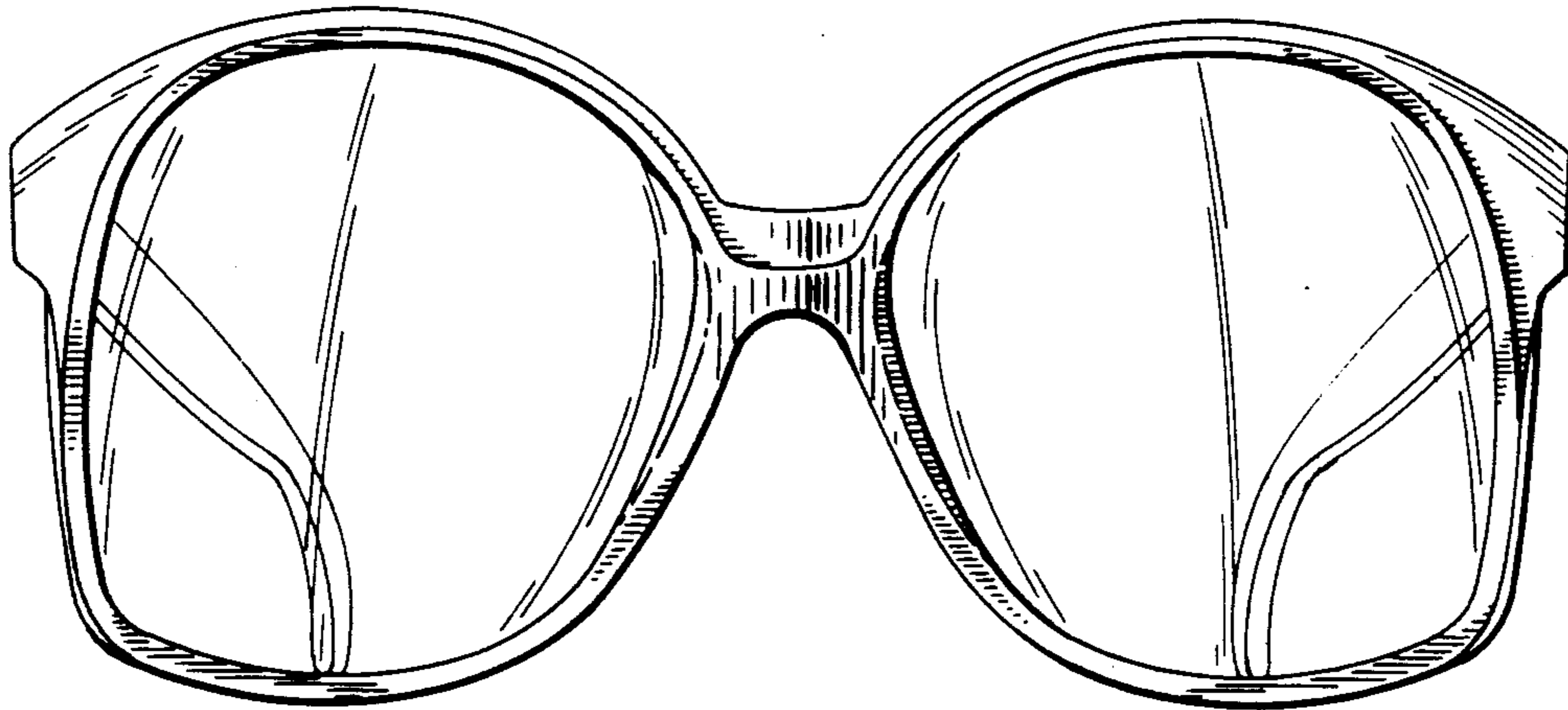
DESCRIPTION

FIG. 1 is a front elevational view of a pair of spectacles embodying my new design;

FIG. 2 is an elevational view of one side of the pair of spectacles, the opposite side thereof being of substantially the same appearance;

FIG. 3 is a rear view with temples broken away for convenience and clarity of illustration; and

FIG. 4 is a top plan view of the spectacles with one temple broken away for convenience of illustration.



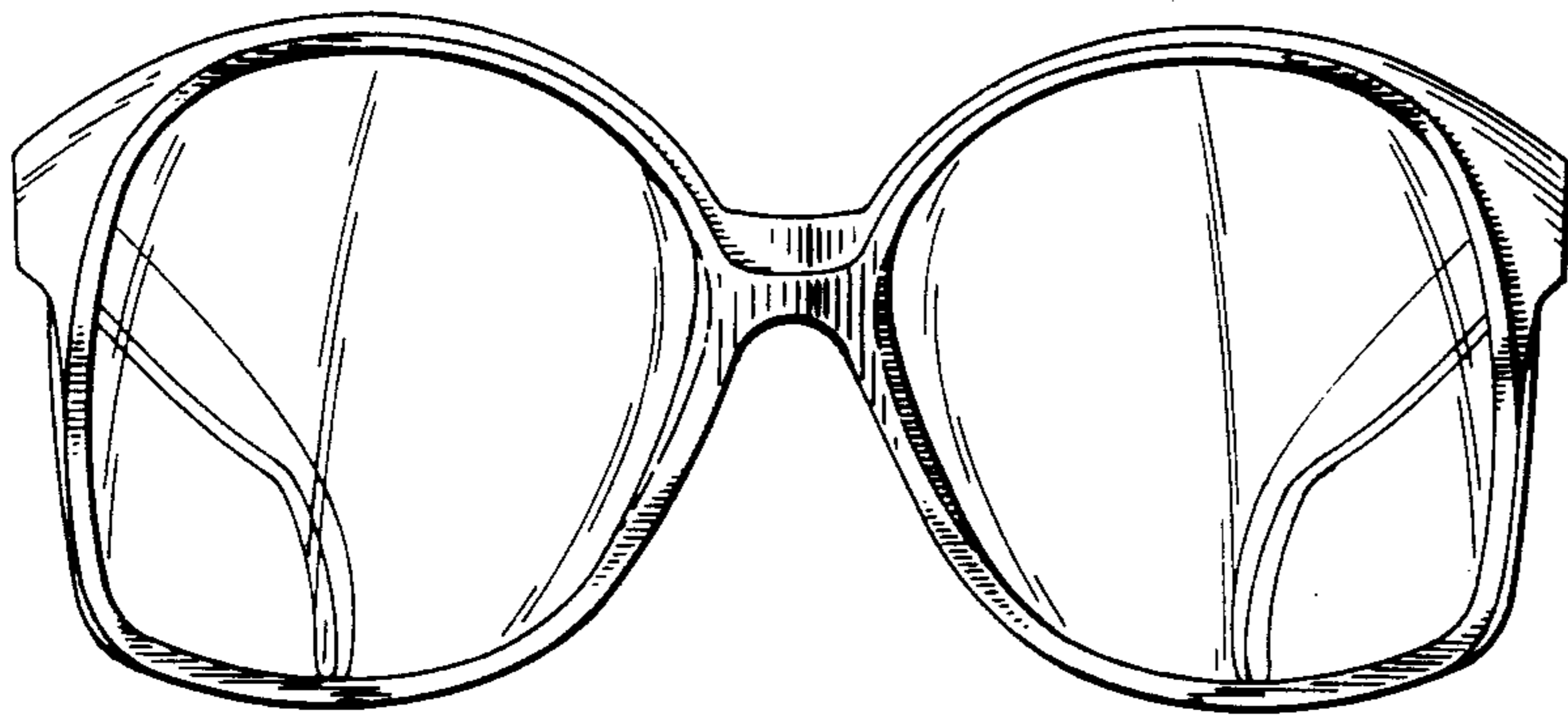


Fig. 1

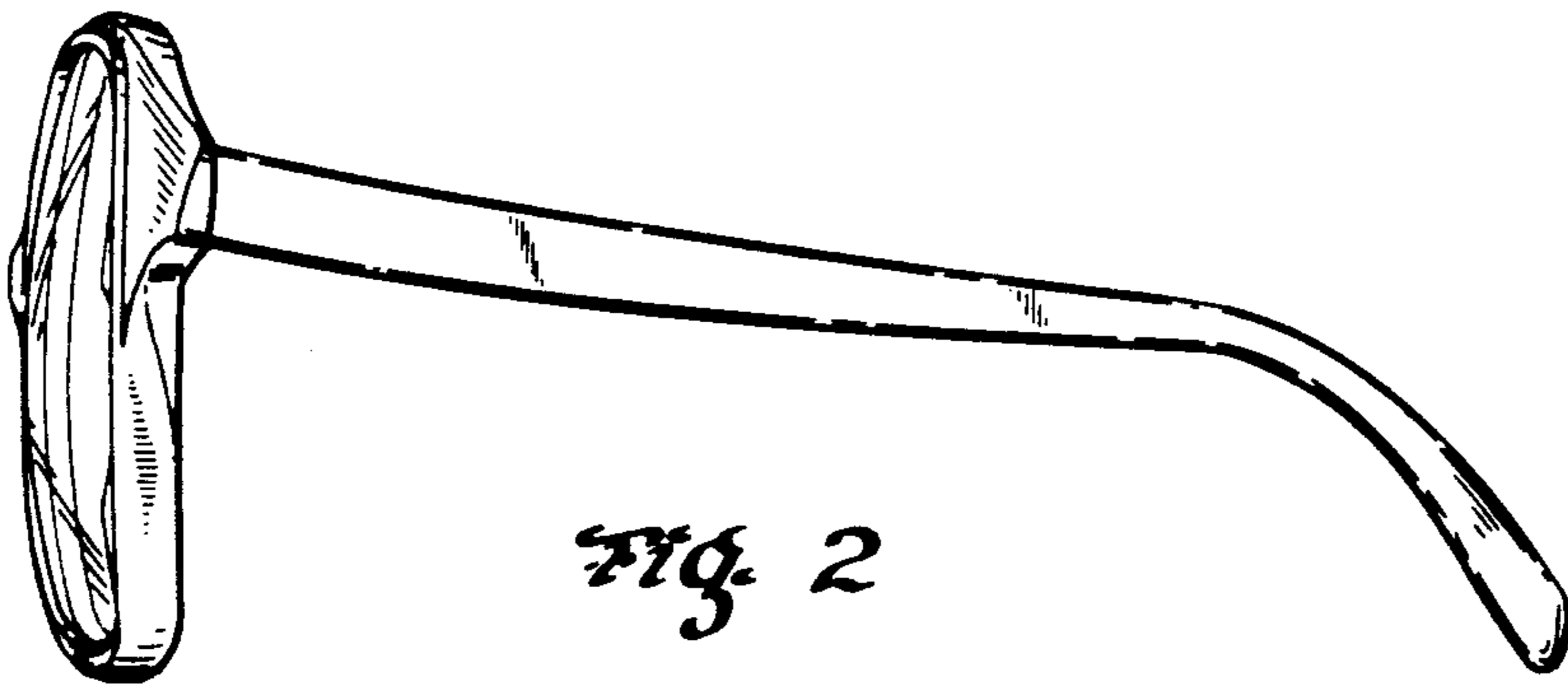


Fig. 2

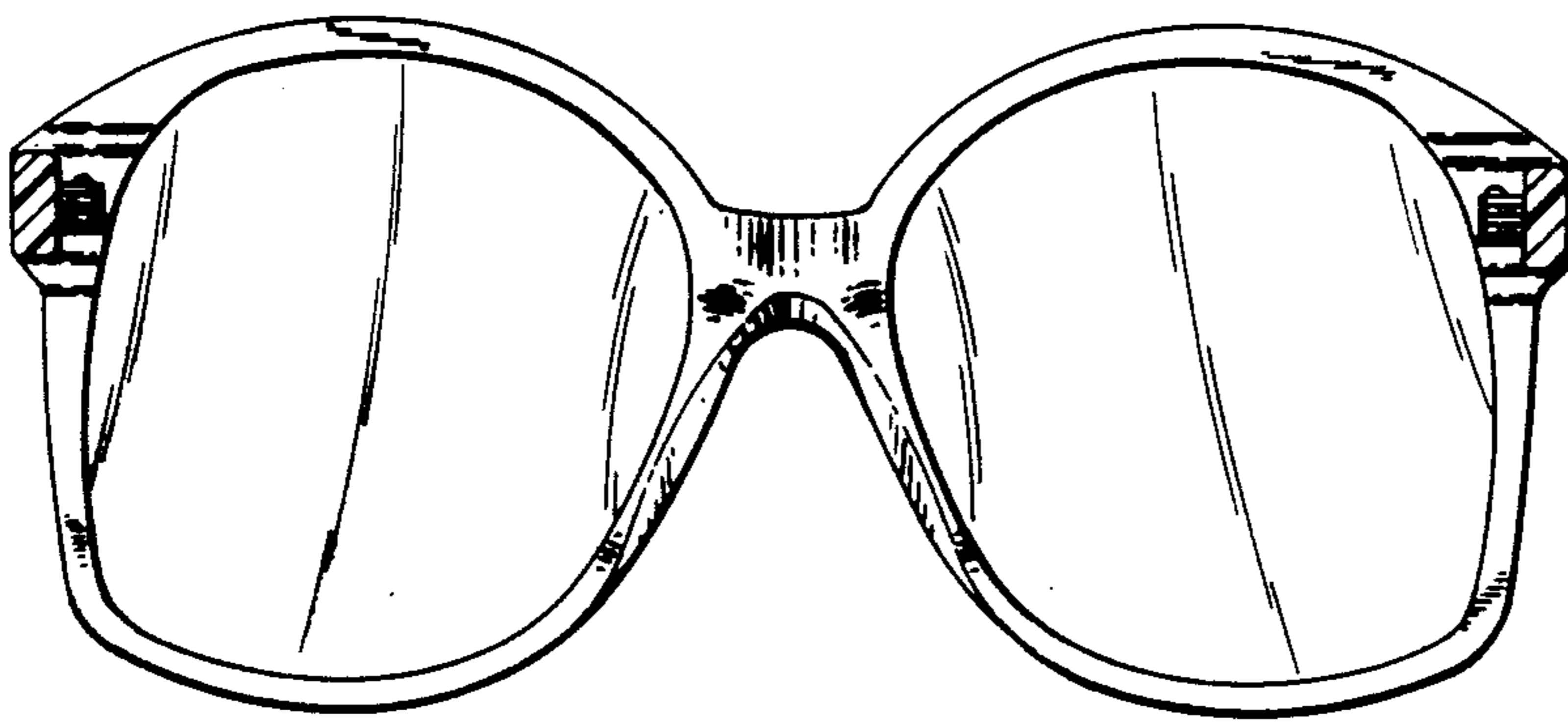


Fig. 3

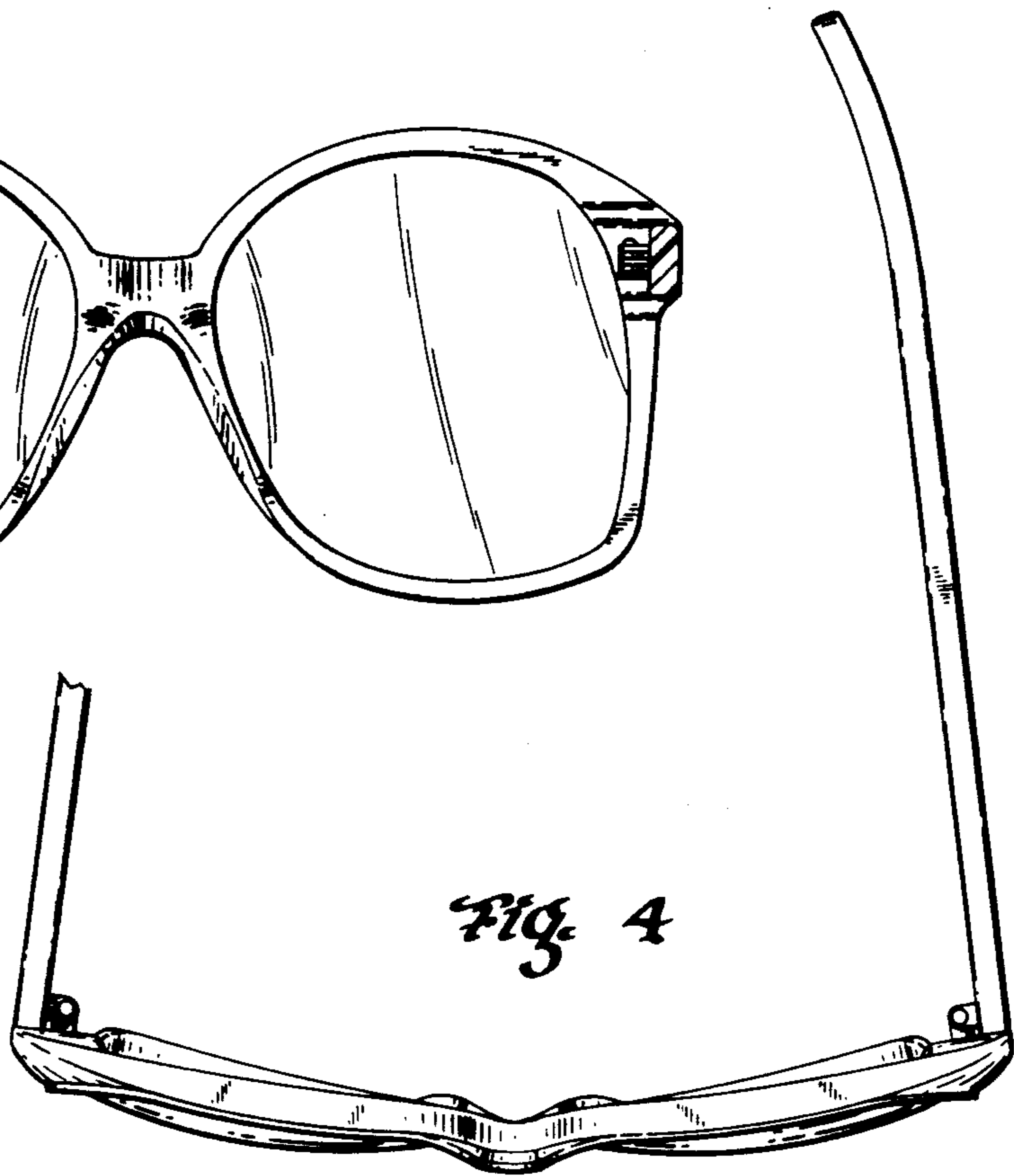


Fig. 4