

[54] TELESCOPE

[76] Inventors: **John J. Schneck**, Phillips Mill Rd., Solebury, Pa. 18963; **Robert R. Richardson**, 11 Concord Pl., Hatboro, Pa. 19040

[**] Term: **14 Years**

[21] Appl. No.: **869,490**

[22] Filed: **Jan. 16, 1978**

[51] Int. Cl. **D16-06**

[52] U.S. Cl. **D16/60**

[58] Field of Search **D16/60, 59; 350/83, 350/85, 80, 82, 84, 78, 79**

[56] **References Cited**

U.S. PATENT DOCUMENTS

D. 191,377	9/1961	Kraus	D16/60
D. 199,371	10/1964	Kraus	D16/60
D. 247,854	5/1978	Simmons et al.	D16/60
2,948,189	8/1960	Fischer	350/83 X
3,023,503	3/1962	Baker	D16/59

3,885,858	5/1975	Hildemann	350/83
3,942,865	3/1976	Rand	350/83

FOREIGN PATENT DOCUMENTS

1120736	12/1961	Fed. Rep. of Germany	350/83
---------	---------	----------------------------	--------

OTHER PUBLICATIONS

Sky and Telescope, Mar., 1970, p. 200, Telescope, bottom of page.

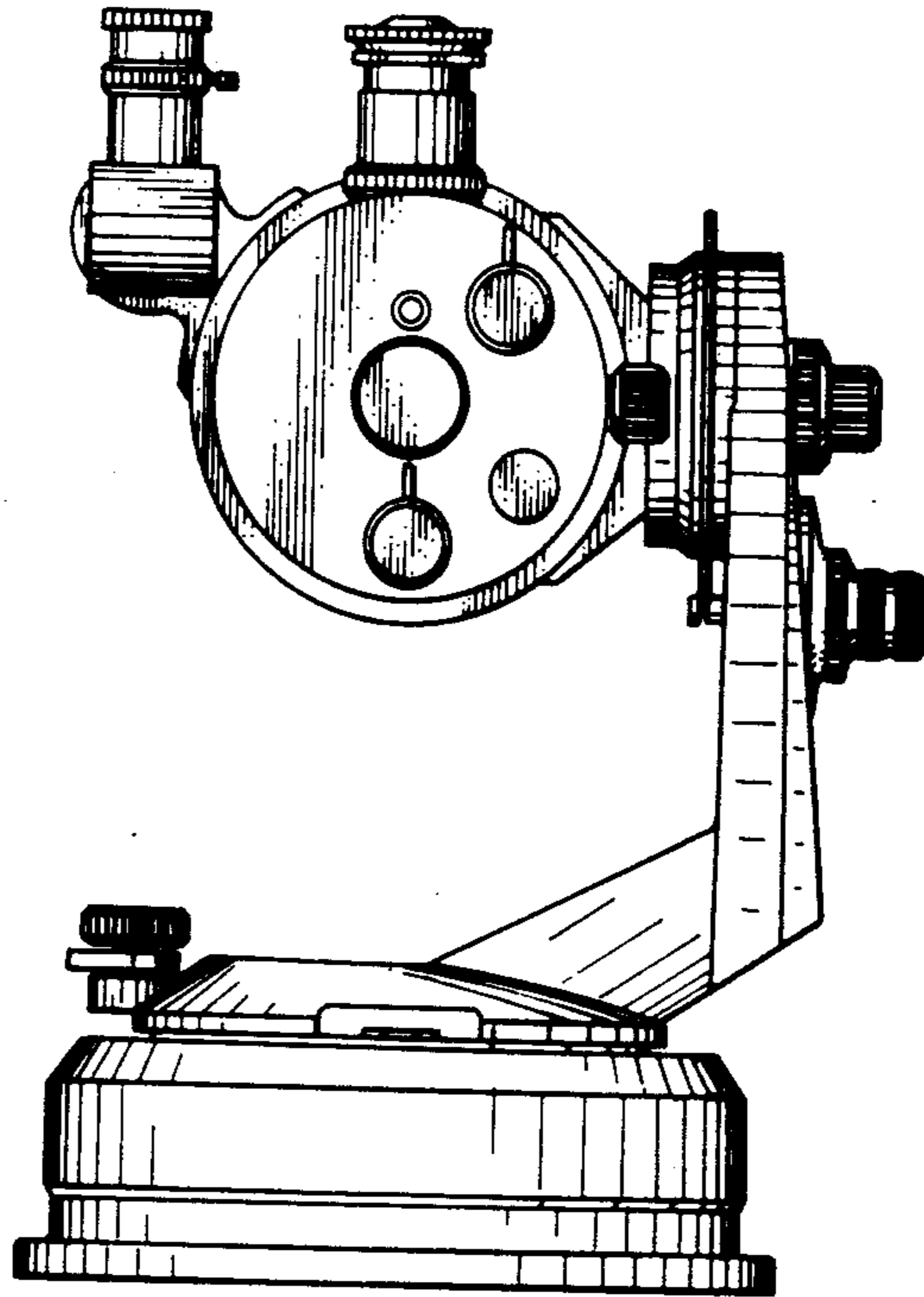
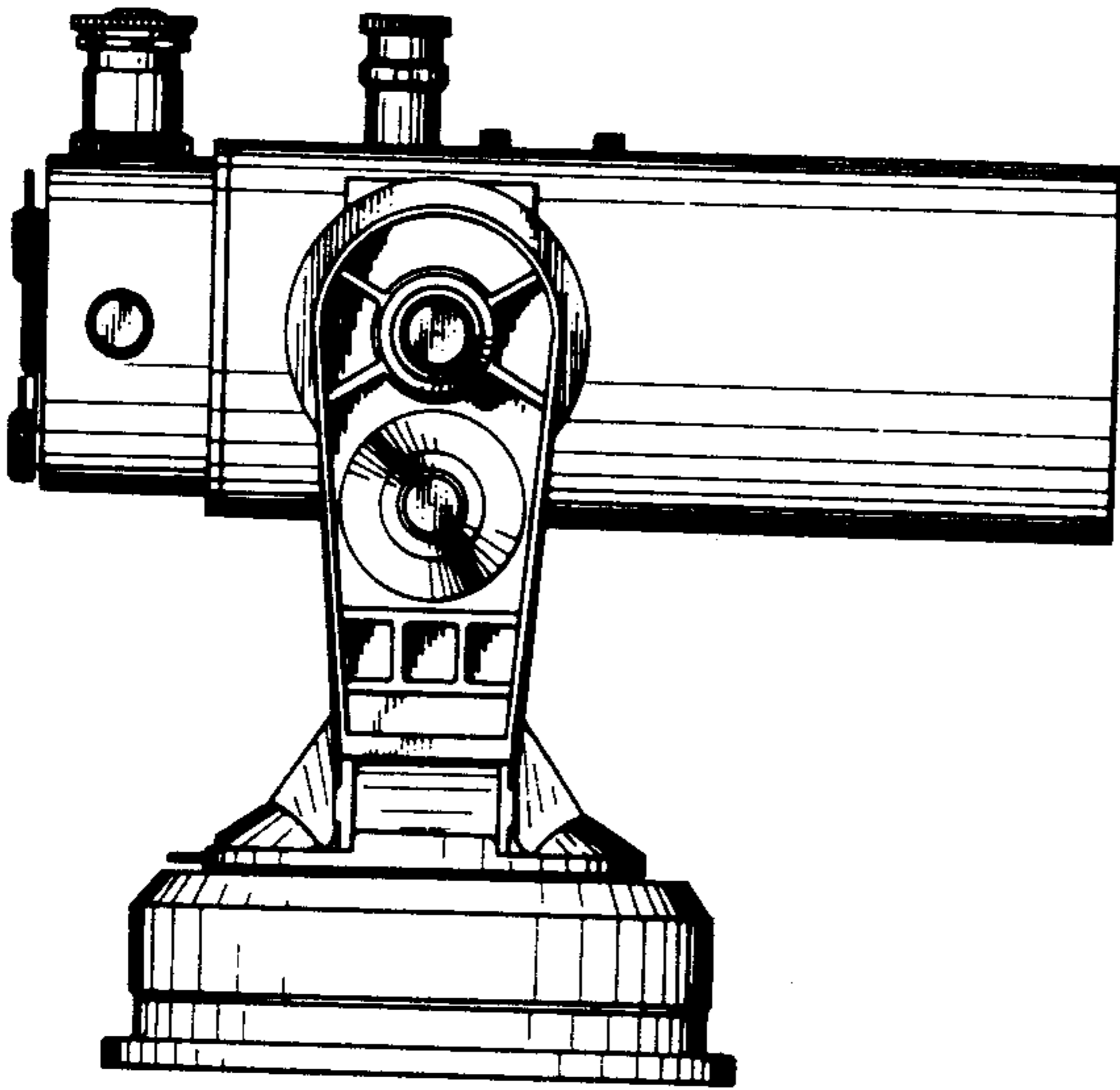
Primary Examiner—Bernard Ansher
Attorney, Agent, or Firm—Jacob Trachtman

[57] **CLAIM**

The ornamental design for telescope, substantially as shown.

DESCRIPTION

FIG. 1 is a right side elevational view of a telescope showing our new design; FIG. 2 is a left side elevational view; FIG. 3 is a top plan view; FIG. 4 is a bottom plan view; FIG. 5 is a front elevational view; and FIG. 6 is a rear elevational view.



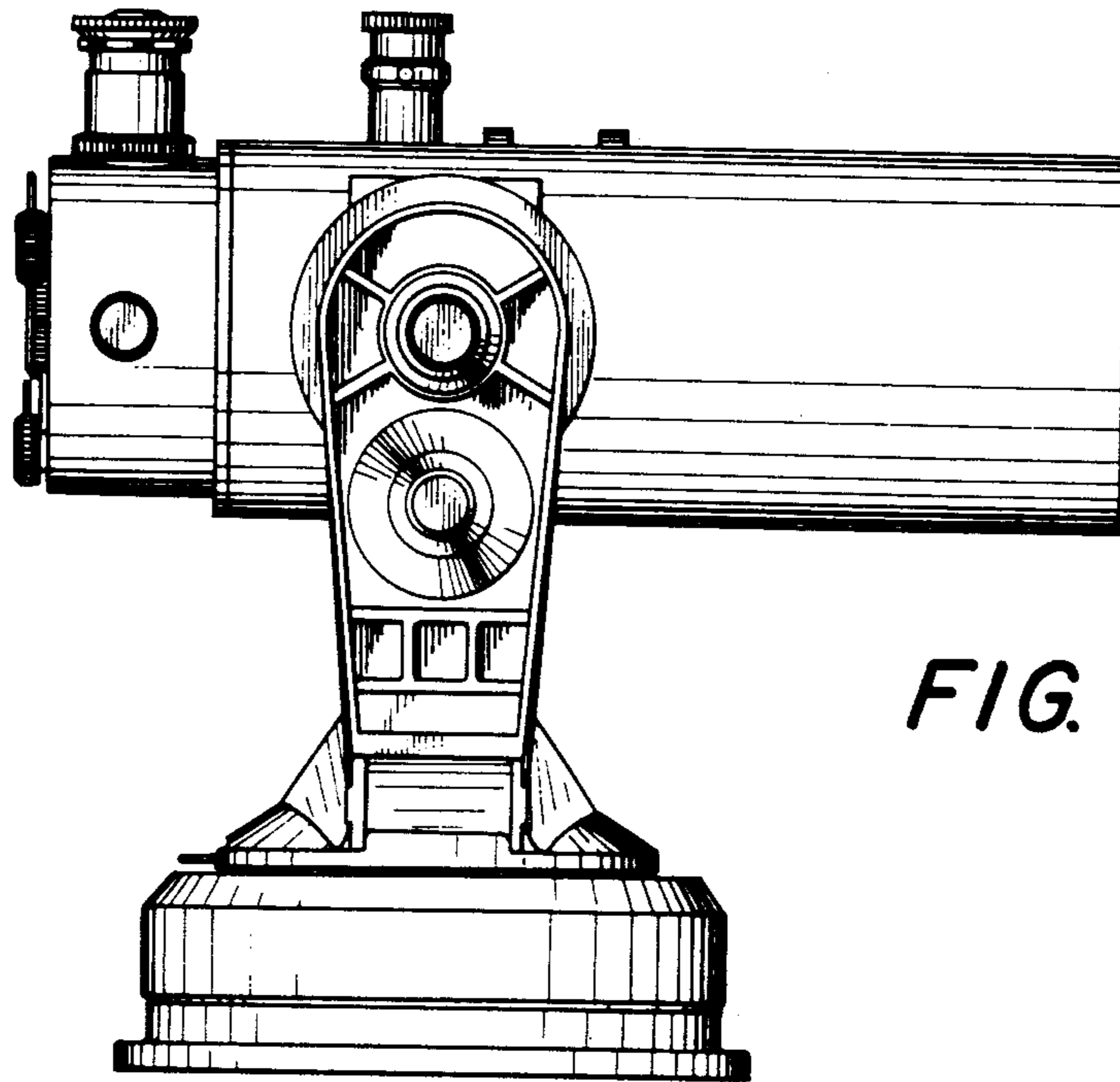


FIG. 1

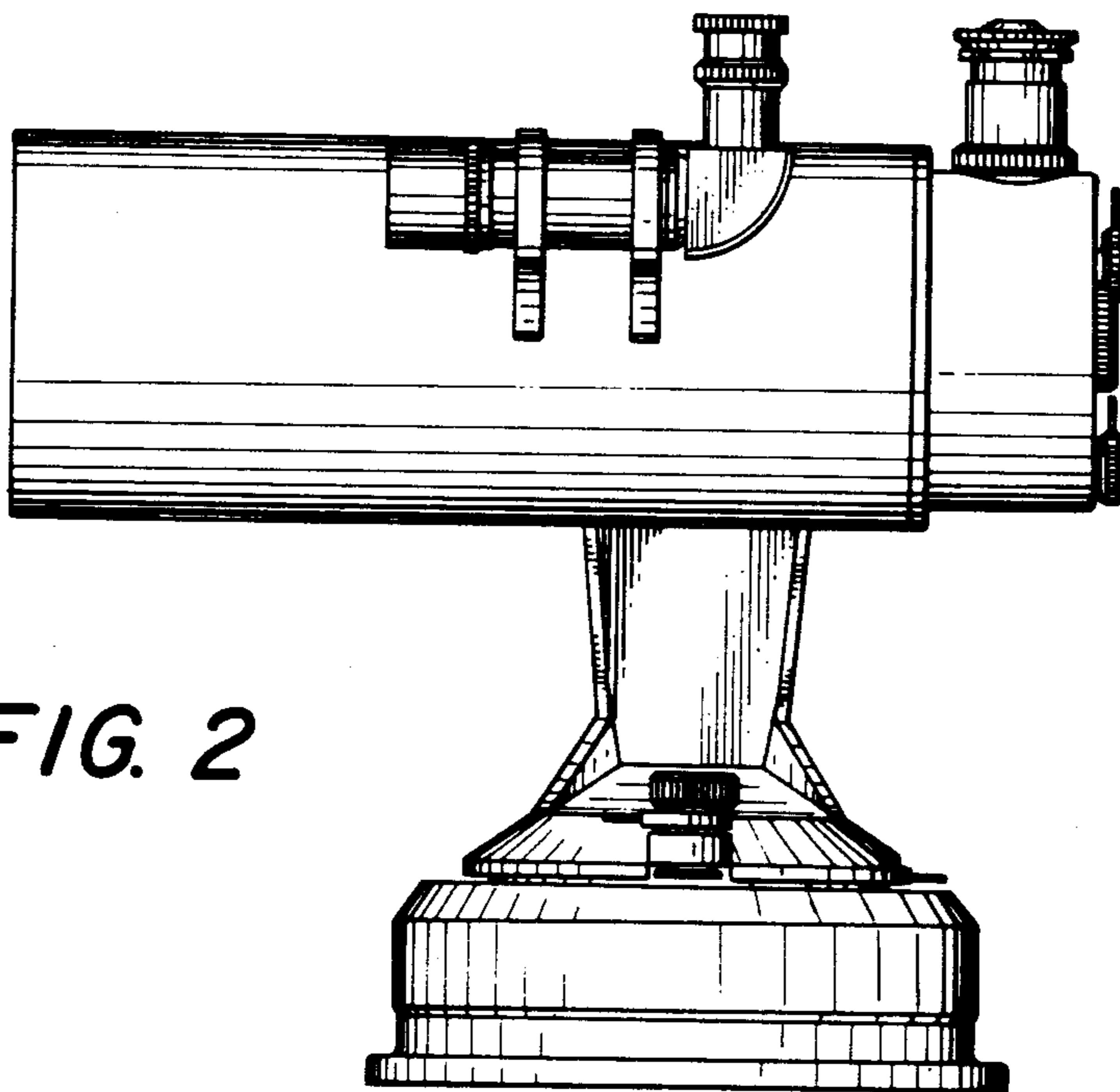


FIG. 2

FIG. 3

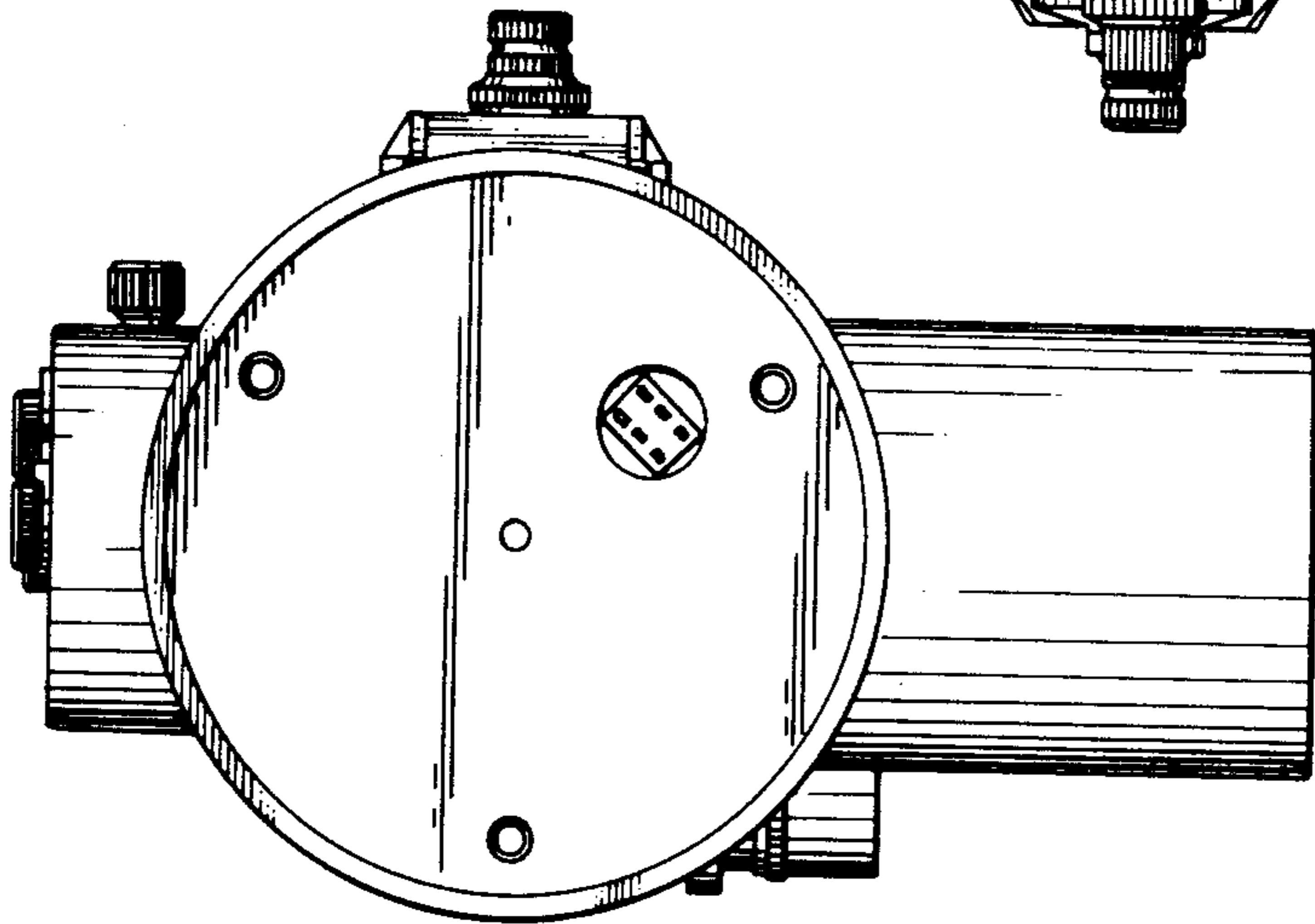
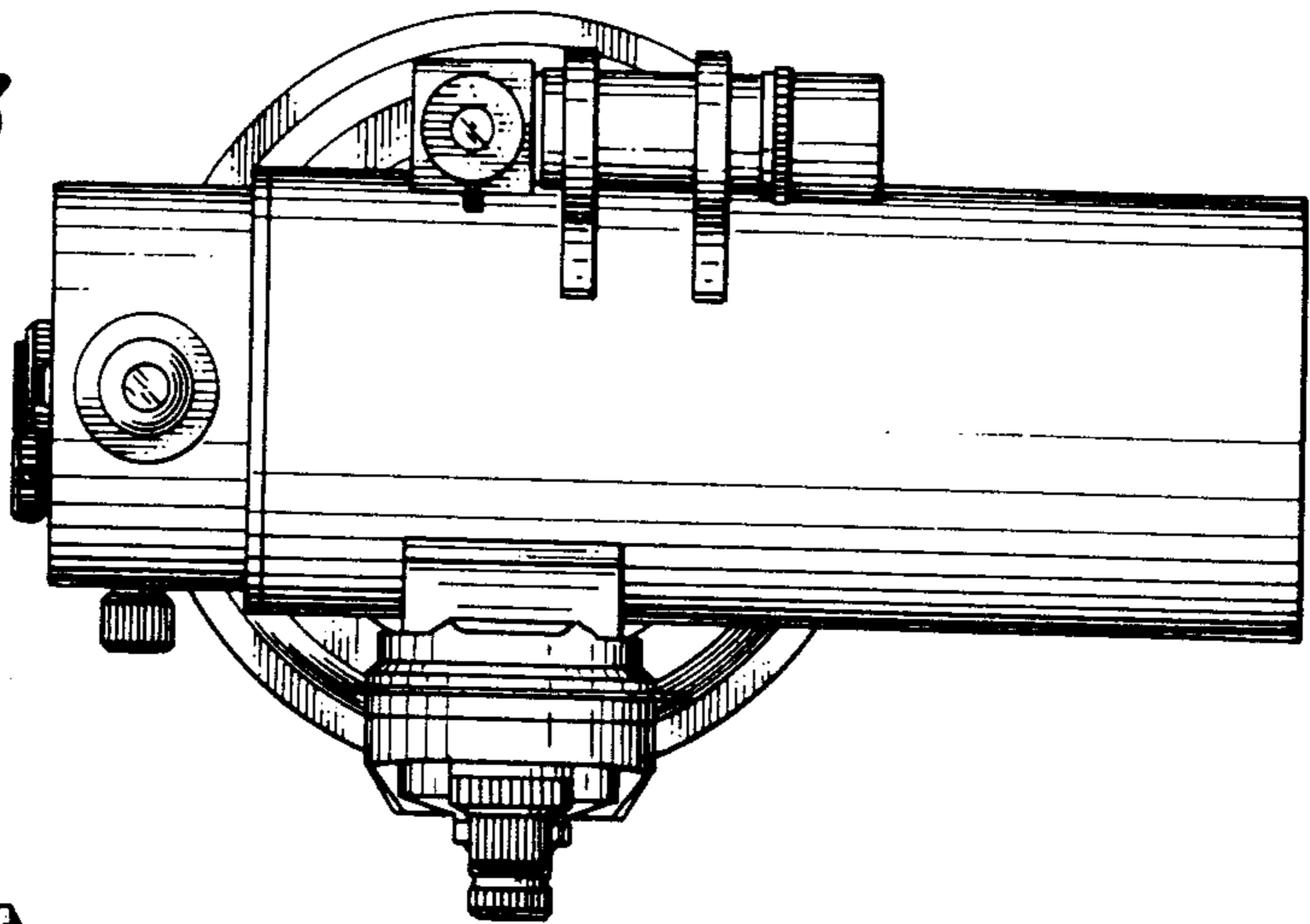


FIG. 4

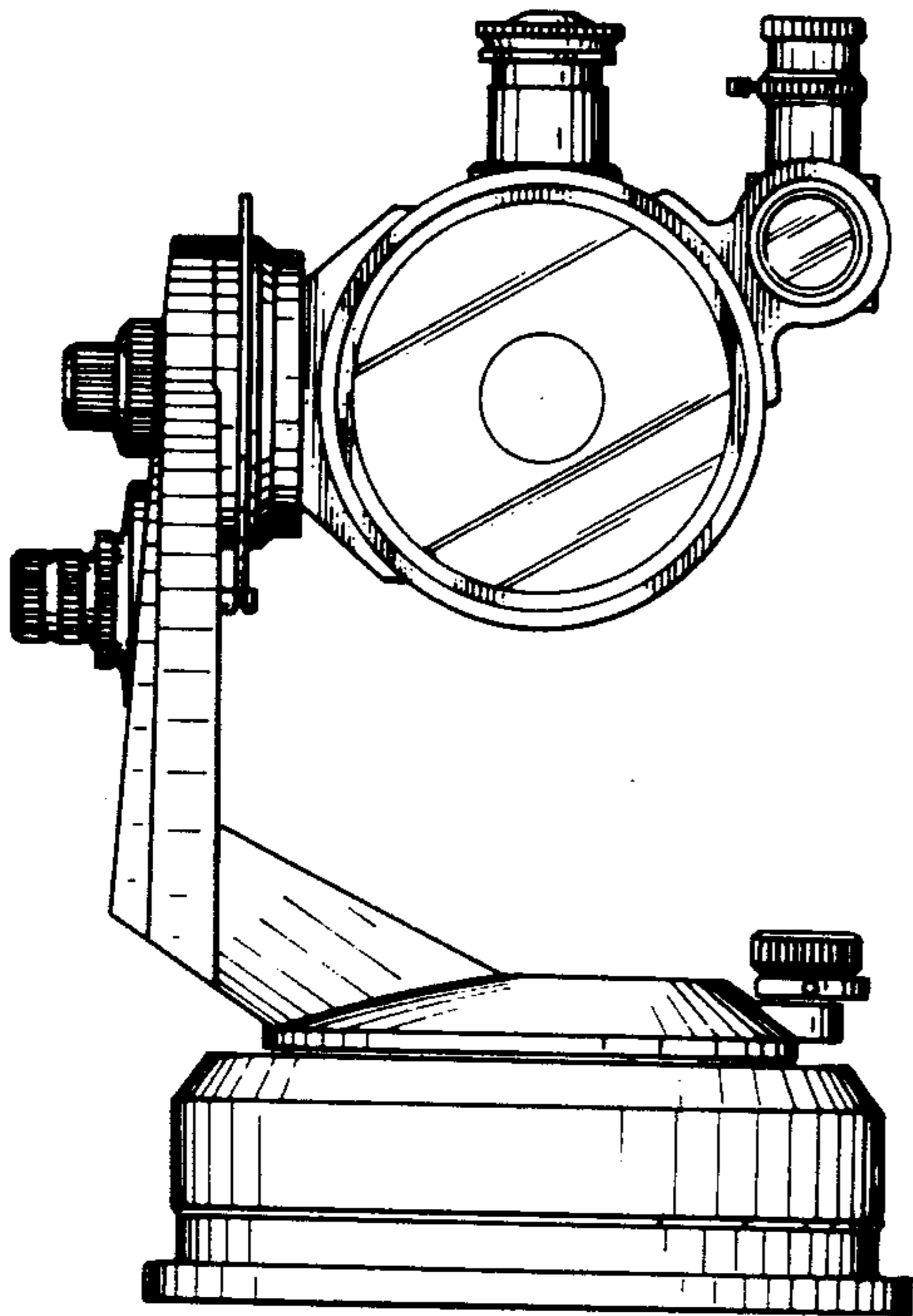


FIG. 5

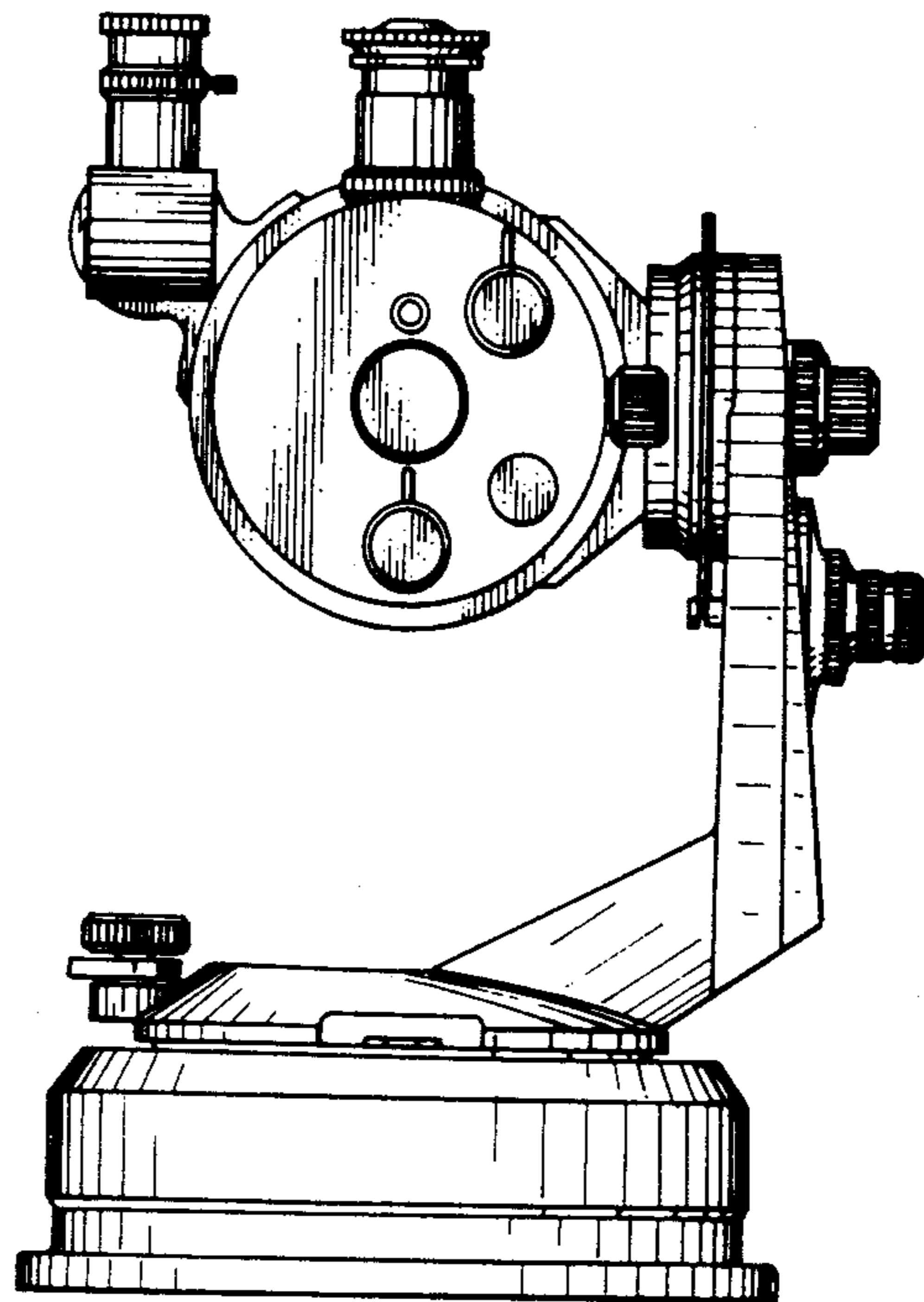


FIG. 6