

[54] PHOTOGRAPHIC CAMERA

[75] Inventors: Jochen Kramer, Wolfsburg; Hans Schönfeld, Wolfsburg-Hattorf; Friedrich Papke, Brunswick; Dieter Mankau, Brunswick; Heinz Hamm, Brunswick; Lothar Westerweck, Braunschweig-Leiferde, all of Fed. Rep. of Germany

[73] Assignee: Rollei-Werke Franke & Heidecke, Brunswick, Fed. Rep. of Germany

[**] Term: 14 Years

[21] Appl. No.: 845,571

[22] Filed: Oct. 26, 1977

[30] Foreign Application Priority Data
May 2, 1977 [DE] Fed. Rep. of Germany 1124

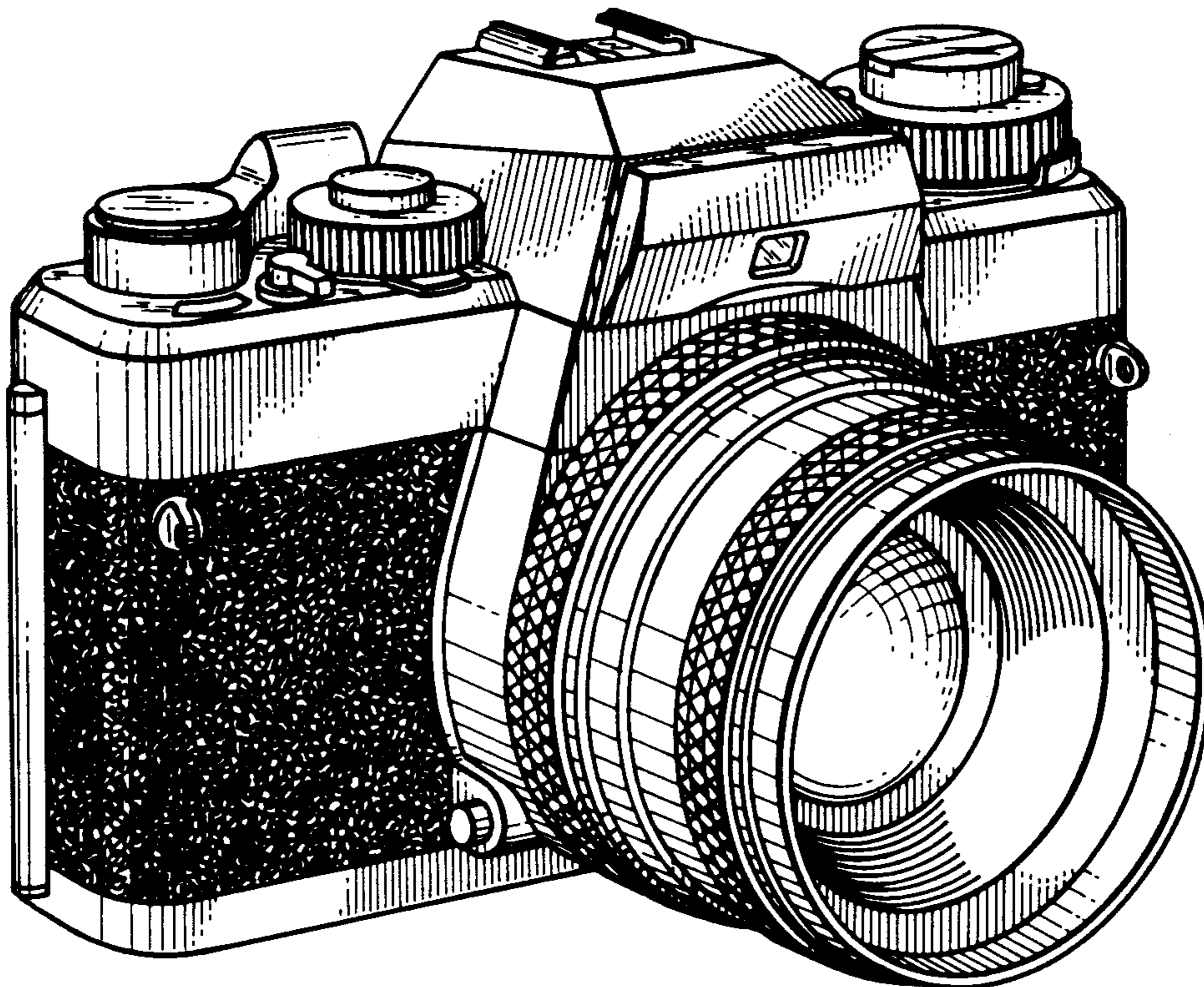
[51] Int. Cl. D16-01
[52] U.S. Cl. D16/06

[58] Field of Search D16/1, 2, 5, 6, 7, 8, D16/9, 10; 354/152-158, 202, 288

[56] References Cited
U.S. PATENT DOCUMENTS
D. 243,007 1/1977 Uellenberg D16/8
Primary Examiner—Bernard Ansher
Assistant Examiner—Catherine Kemper
Attorney, Agent, or Firm—Charles Shepard

[57] CLAIM
The ornamental design for a photographic camera, substantially as shown and described.

DESCRIPTION
FIG. 1 is a front elevational view of a photographic camera, showing our new design;
FIG. 2 is a rear elevational view thereof;
FIG. 3 is a top plan view thereof;
FIG. 4 is a bottom view thereof;
FIG. 5 is a left side elevational view thereof;
FIG. 6 is a right side elevational view thereof;
FIG. 7 is a front perspective view thereof; and
FIG. 8 is a rear perspective view thereof.



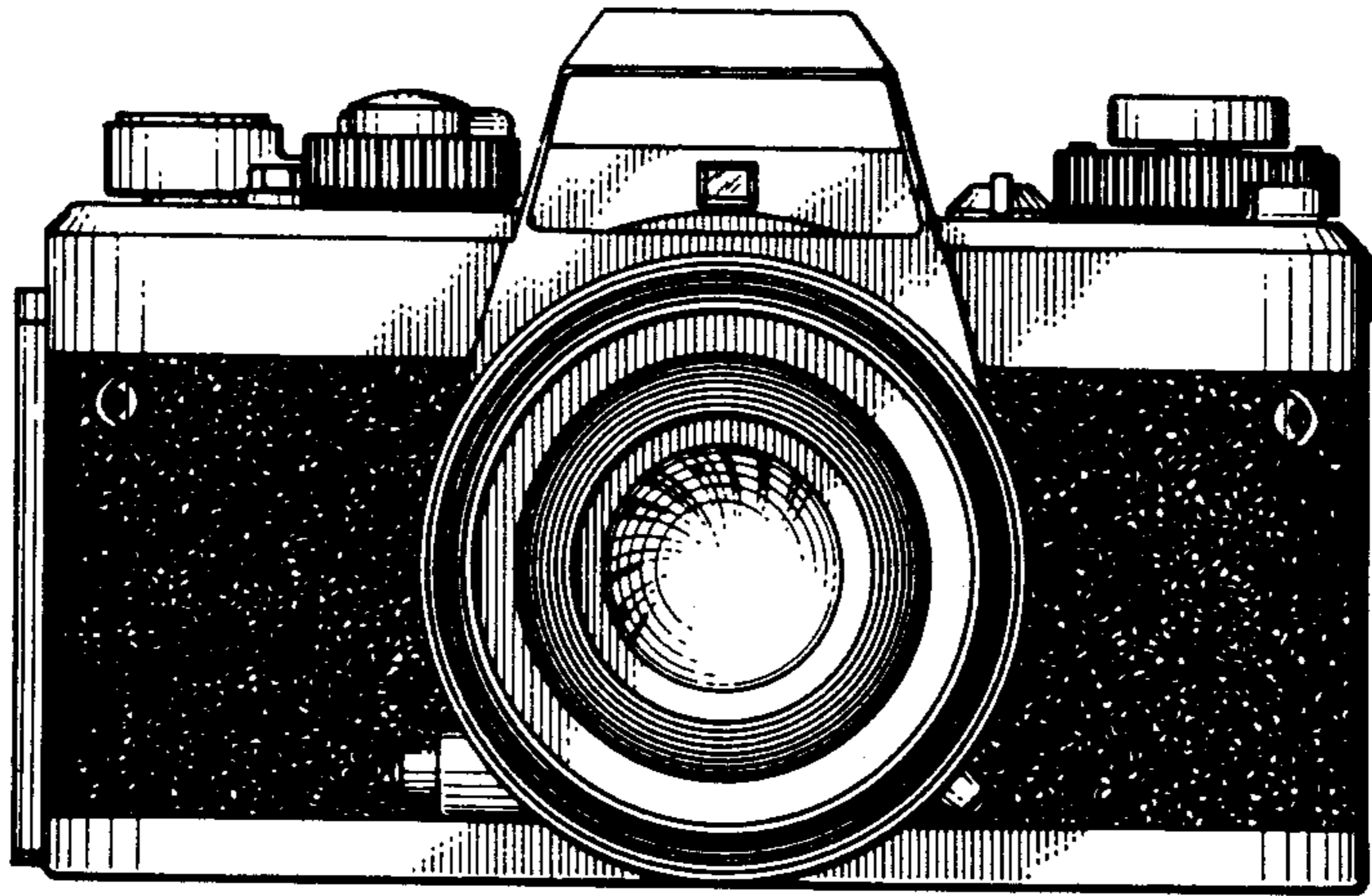


FIG. 1

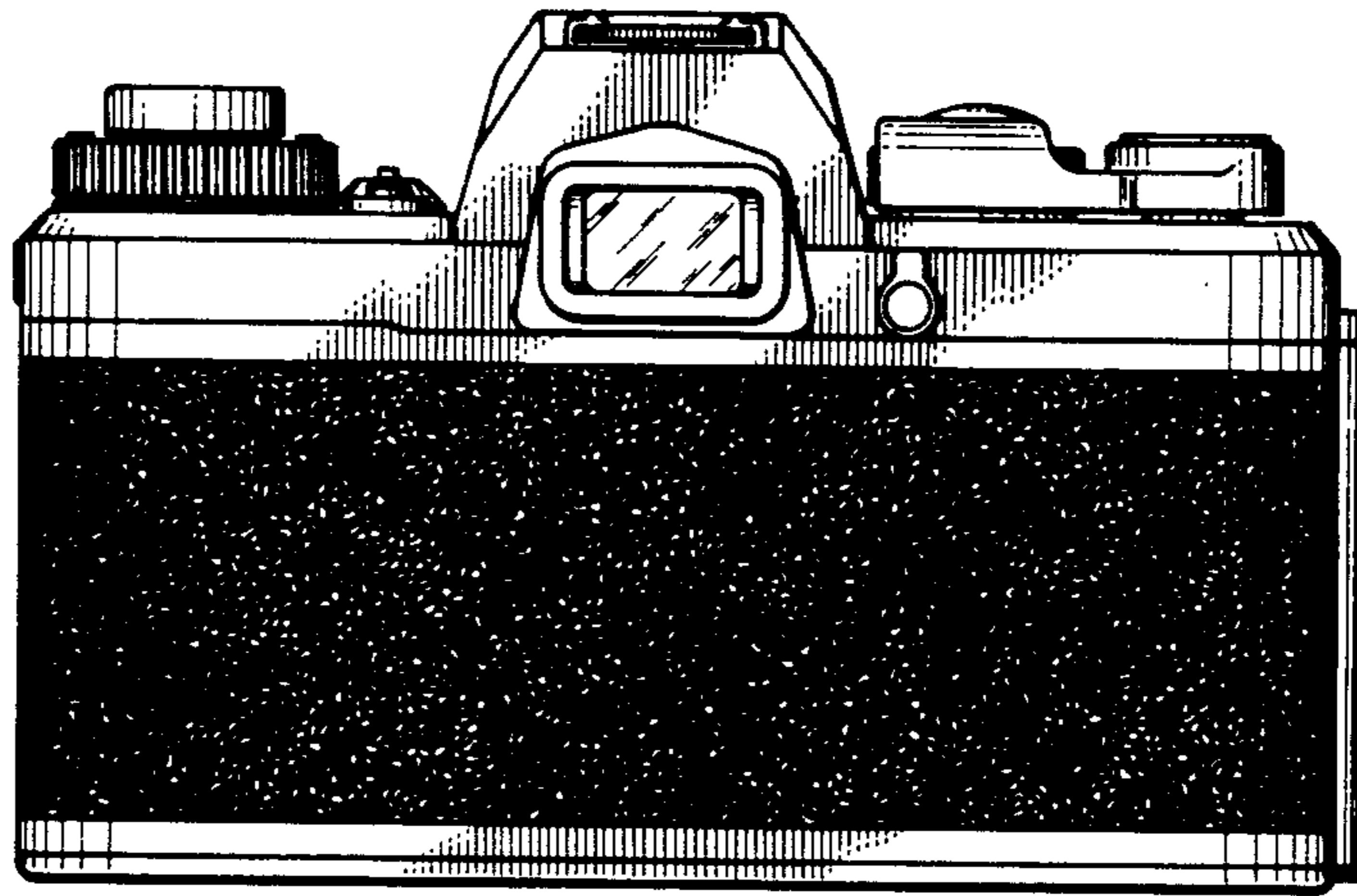


FIG. 2

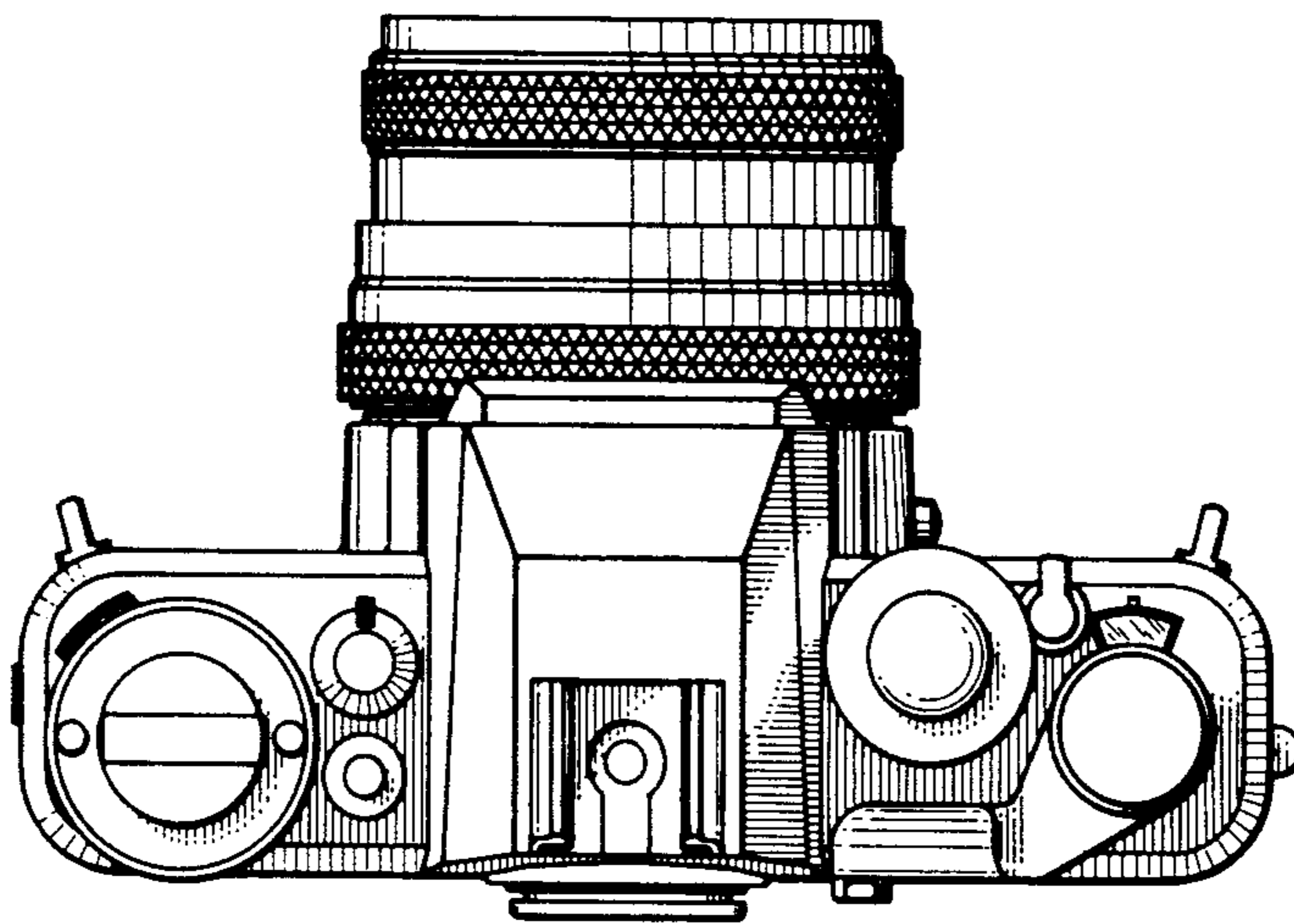


FIG. 3

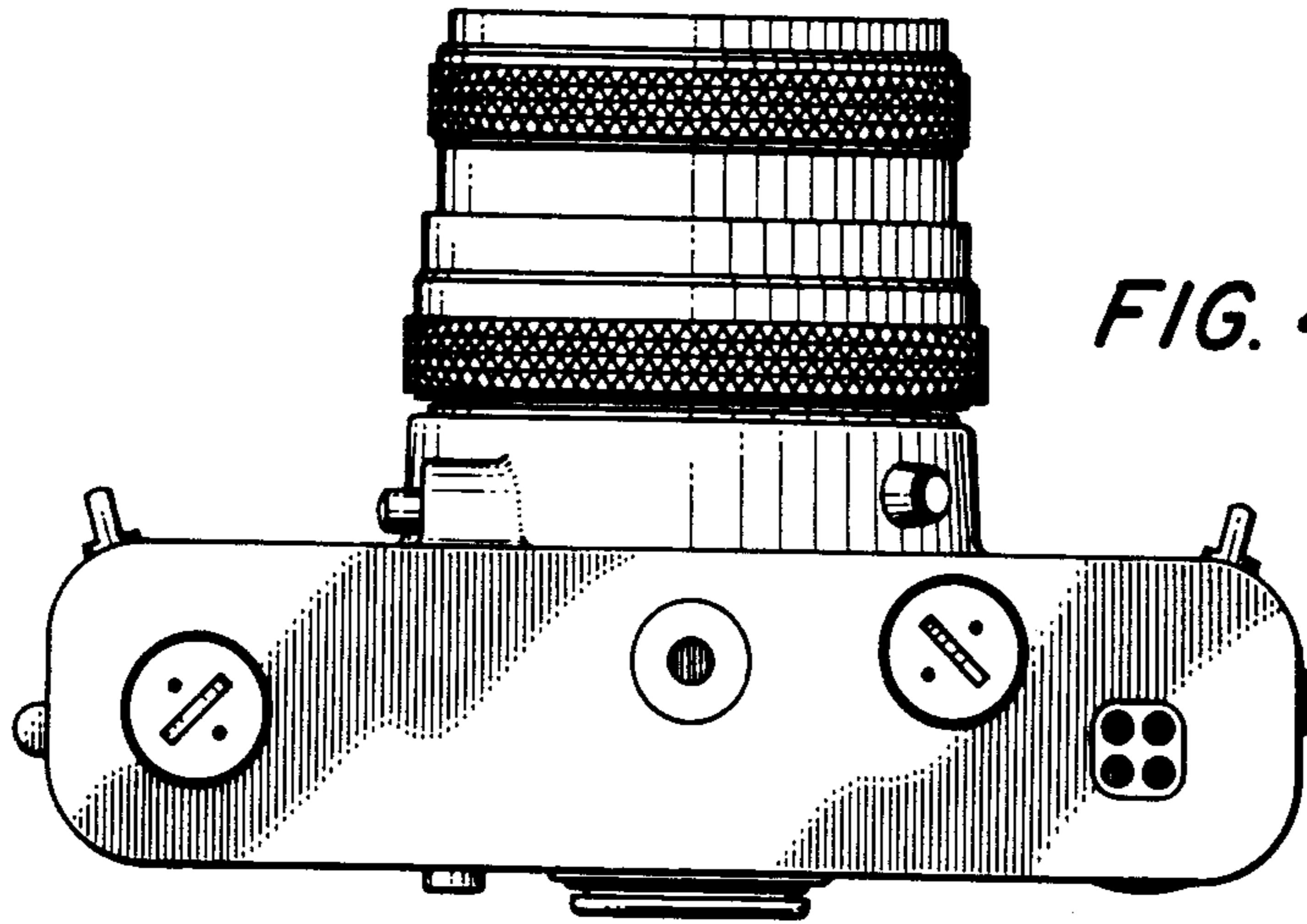


FIG. 4

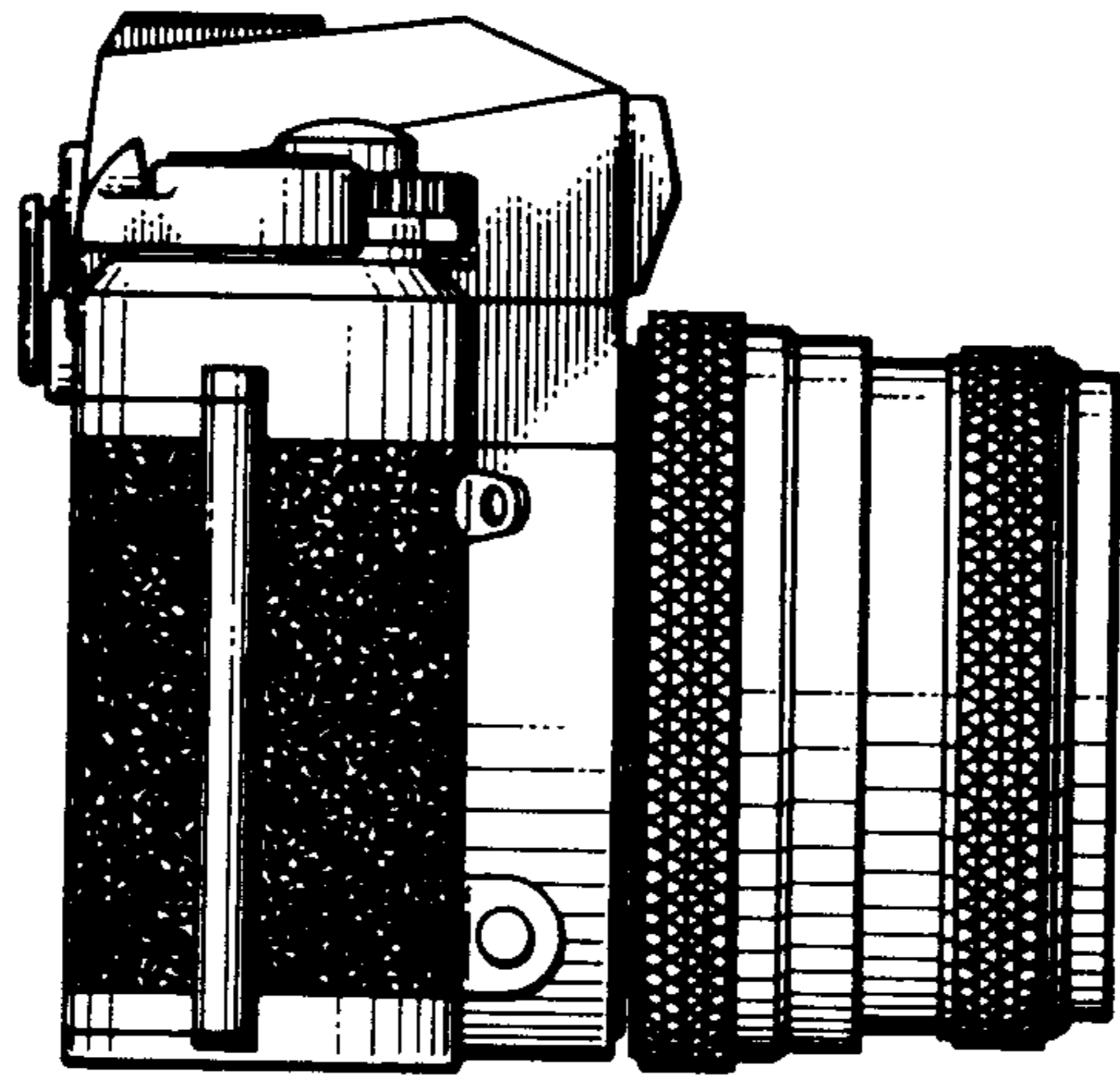


FIG. 5

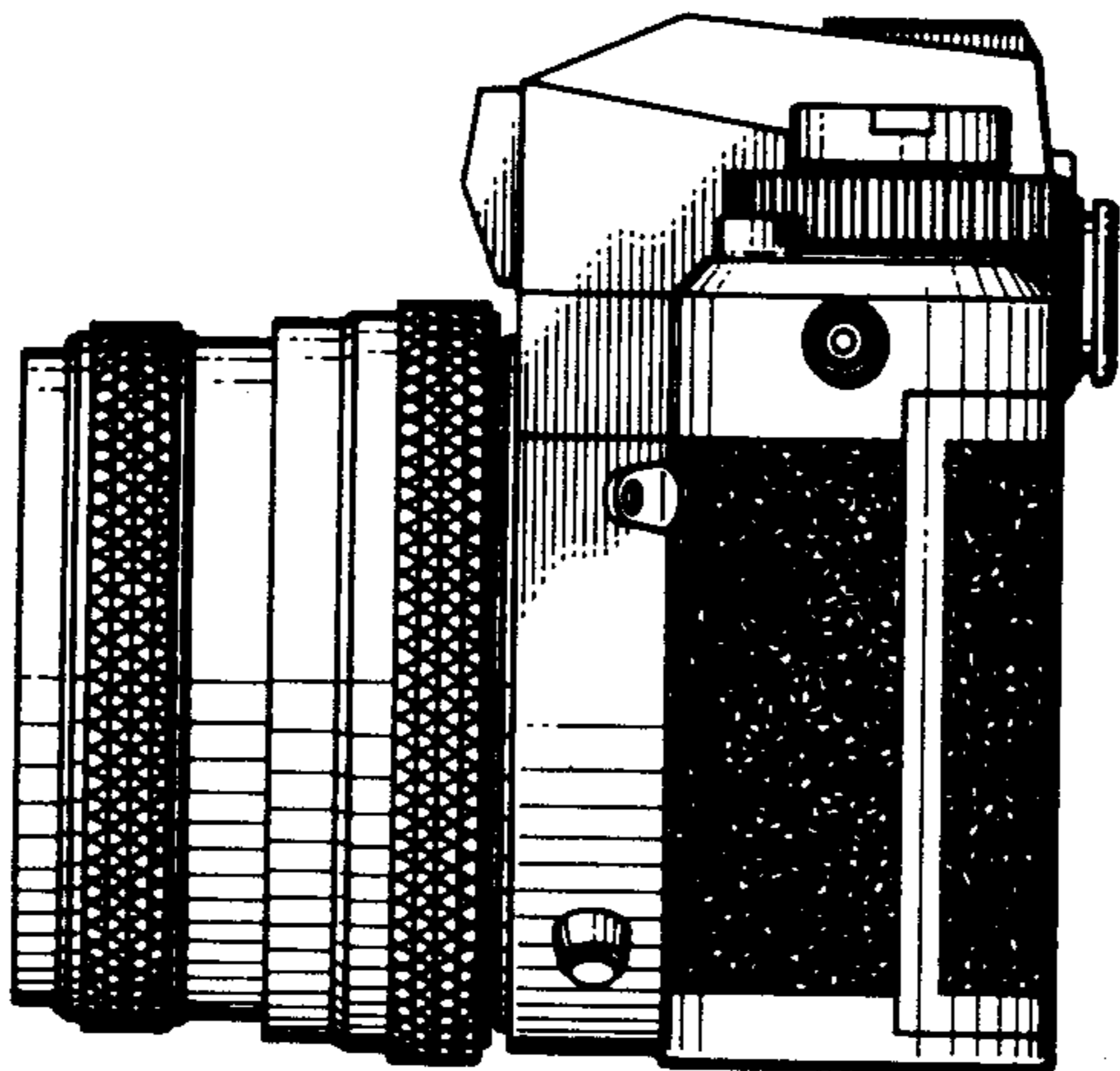


FIG. 6

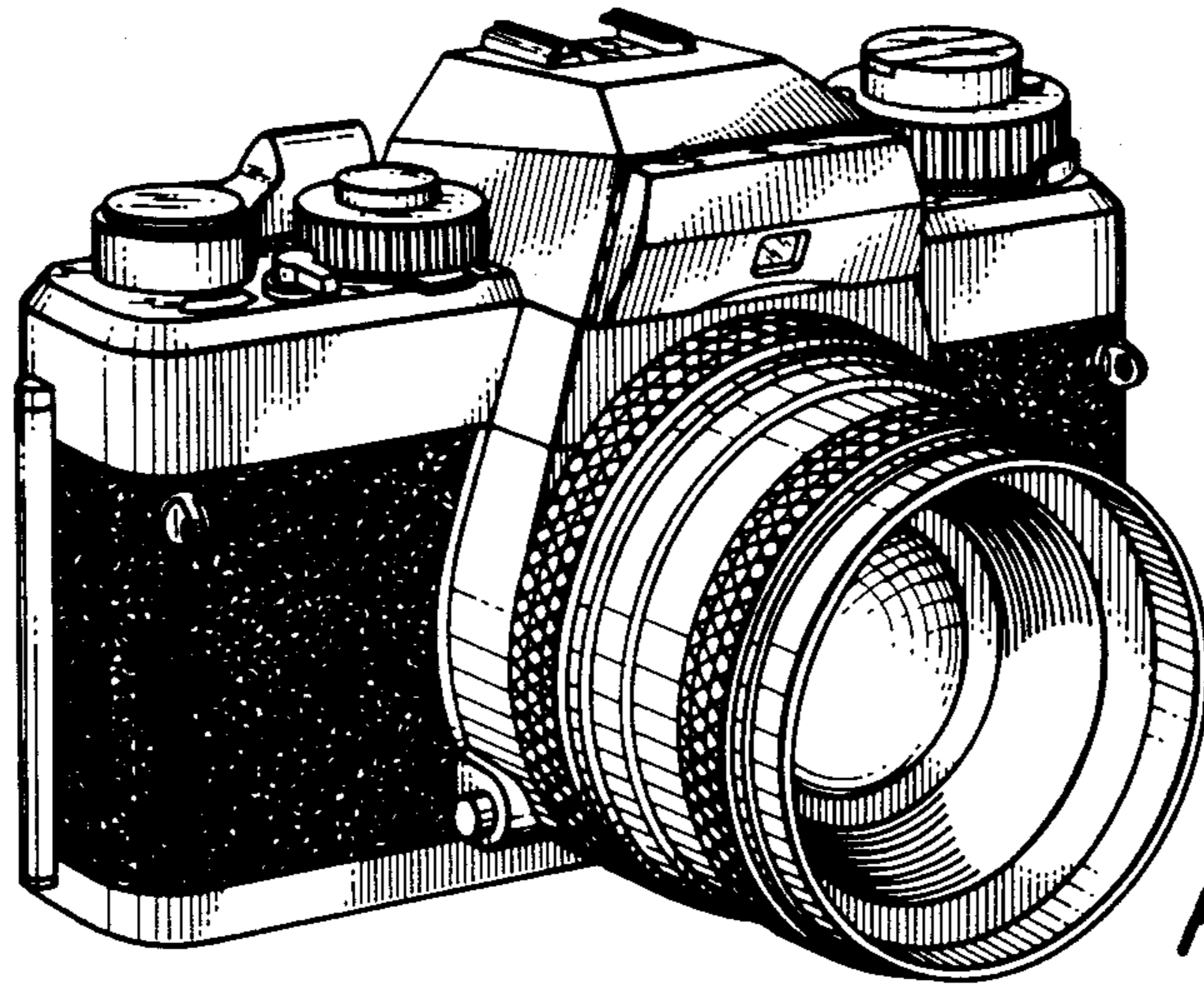


FIG. 7

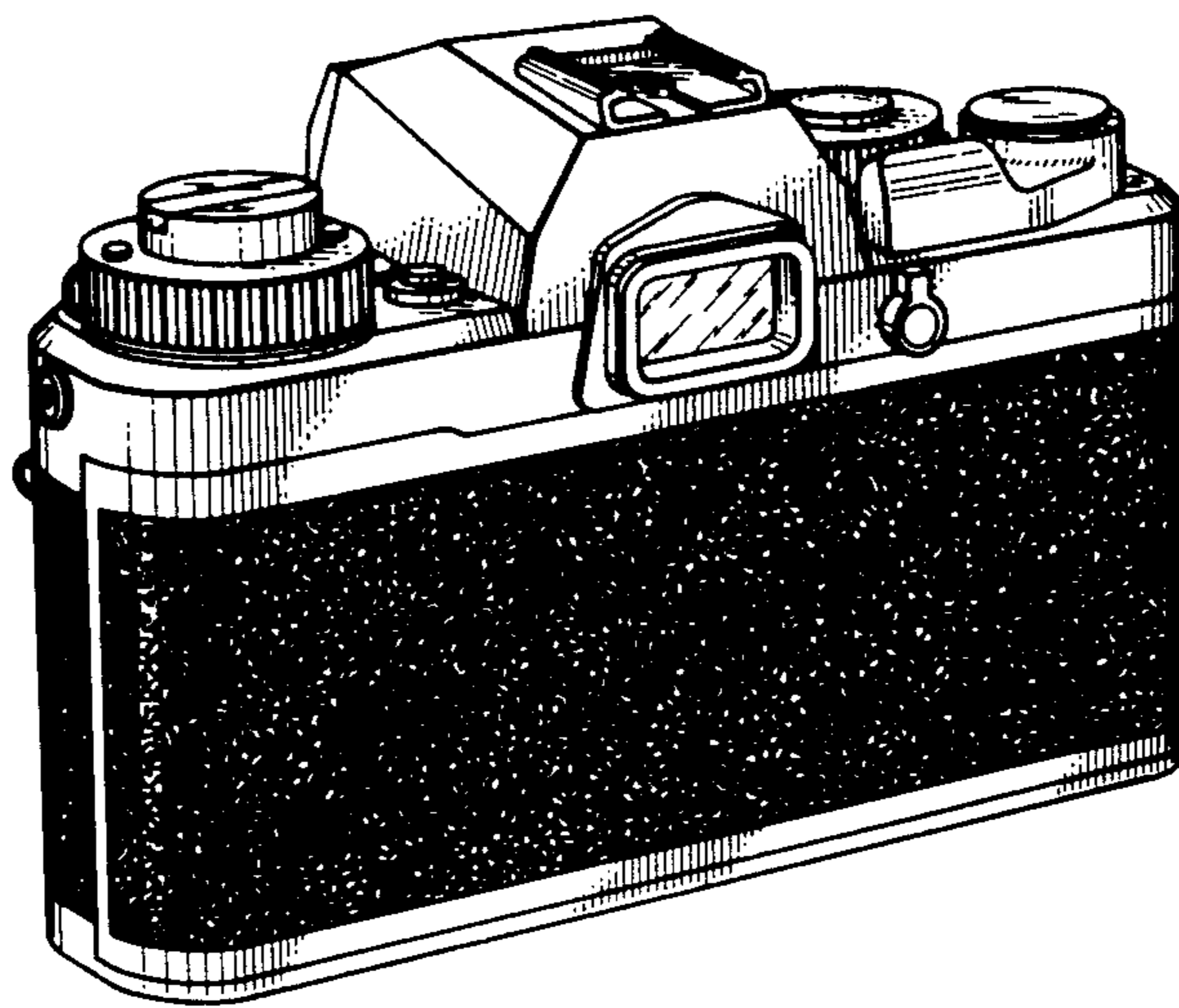


FIG. 8