

[54] GATED HOOK FOR TUFTING MACHINES

[75] Inventor: Paul E. Jolley, Chattanooga, Tenn.

[73] Assignee: Spencer Wright Industries, Inc., Chattanooga, Tenn.

[**] Term: 14 Years

[21] Appl. No.: 873,964

[22] Filed: Jan. 31, 1978

[51] Int. Cl. D15-99

[52] U.S. Cl. D15/78; 112/79 R

[58] Field of Search D15/66, 78, 77, 72; 112/79 R, 79 A

[56] References Cited

U.S. PATENT DOCUMENTS

2,800,096	7/1957	Signoret	112/79 R
2,879,728	3/1959	McCuthen	112/79 R
3,650,228	3/1972	Lynch	112/79 R

FOREIGN PATENT DOCUMENTS

1485454 11/1970 Fed. Rep. of Germany 112/79 A

OTHER PUBLICATIONS

Manmade Textiles, Aug. 1964, p. 67, item "A".

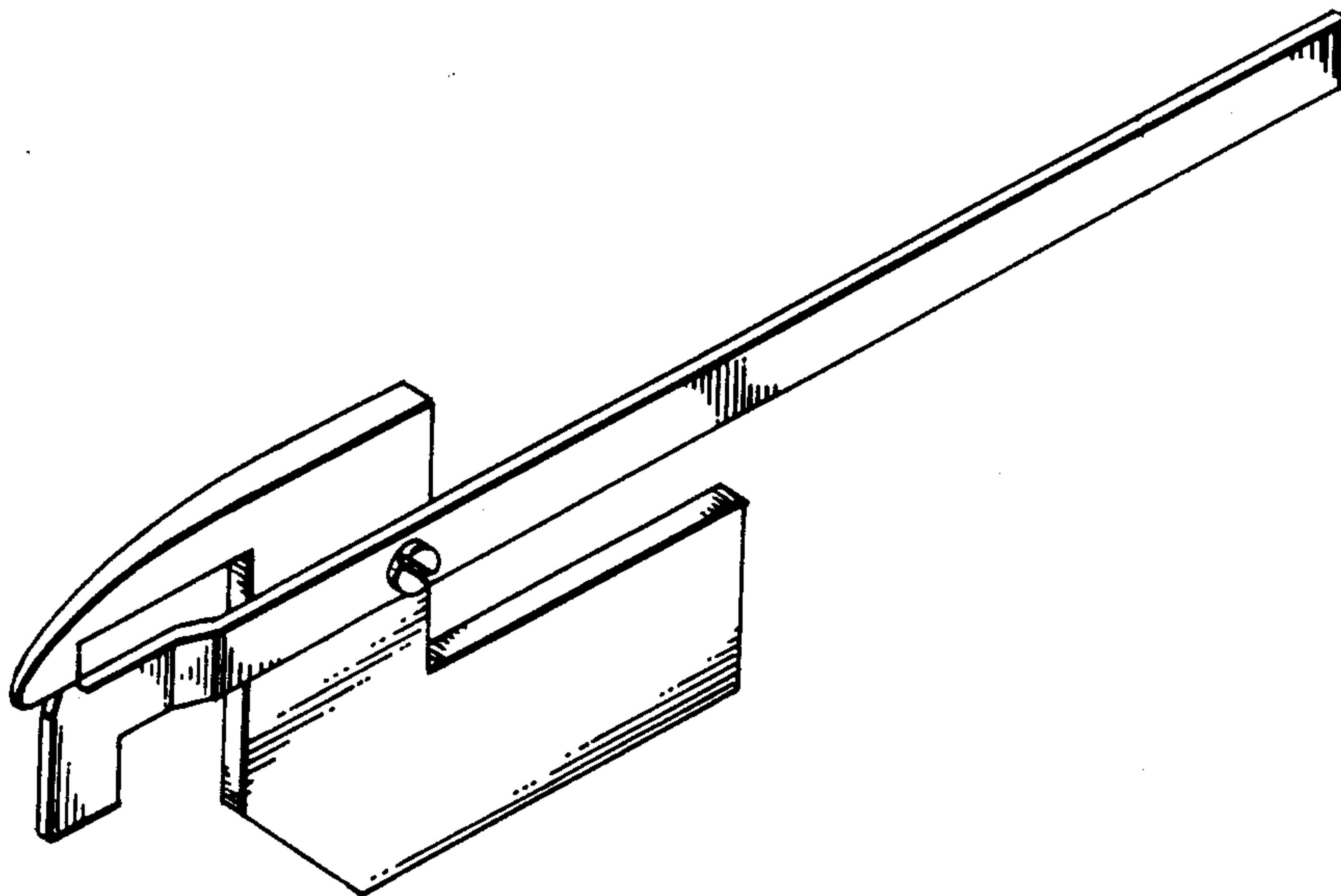
Primary Examiner—Joel Stearman
Assistant Examiner—Carmen H. Vales
Attorney, Agent, or Firm—Alan Ruderman

[57] CLAIM

The ornamental design for a gated hook for tufting machines, substantially as shown.

DESCRIPTION

FIG. 1 is a front perspective view of a gated hook for tufting machines showing my new design; FIG. 2 is a front elevational view thereof; FIG. 3 is a rear elevational view thereof; FIG. 4 is a left end elevational view thereof; FIG. 5 is a right end elevational view thereof; FIG. 6 is a top plan view thereof; and FIG. 7 is a bottom plan view thereof.



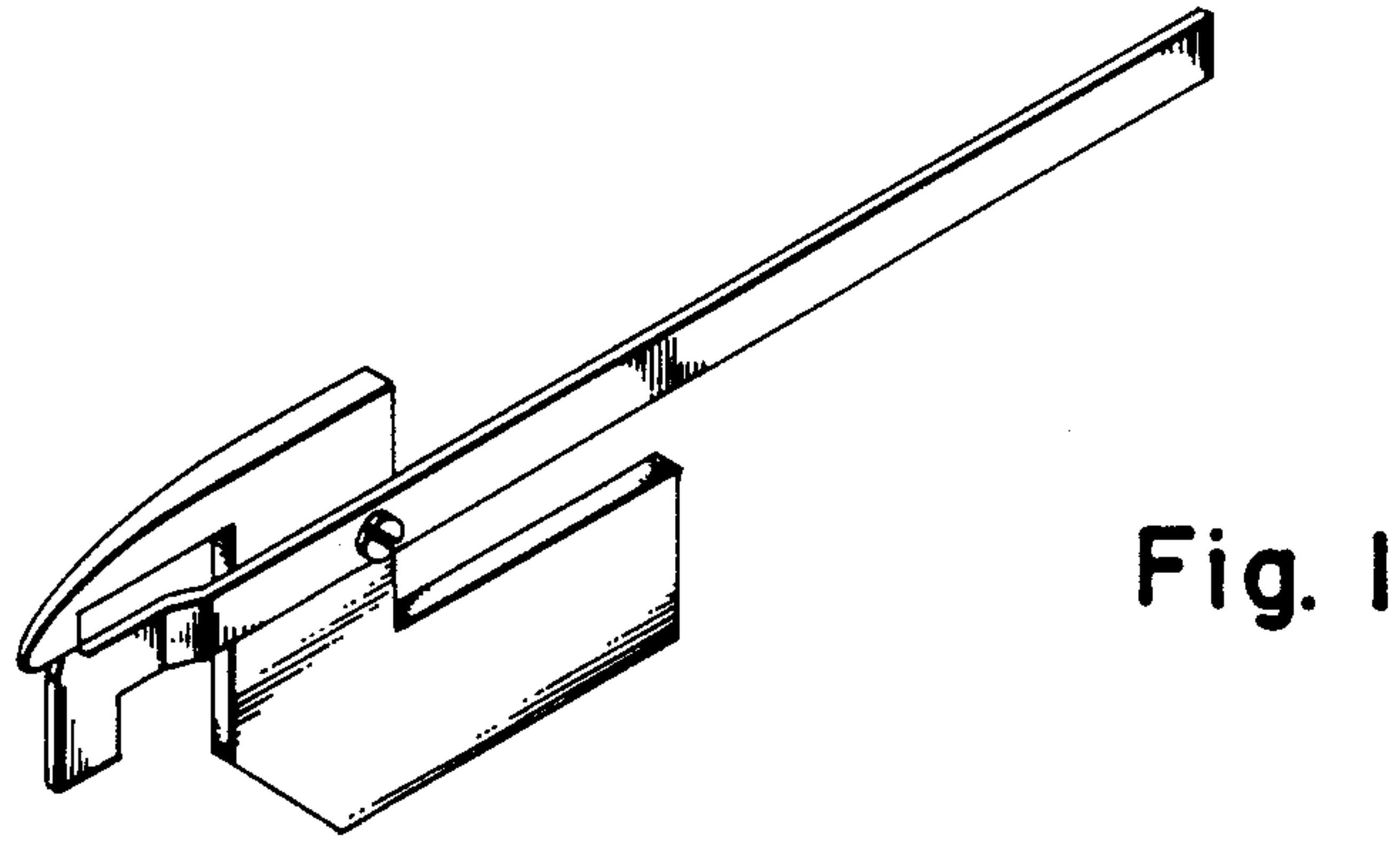


Fig. 1

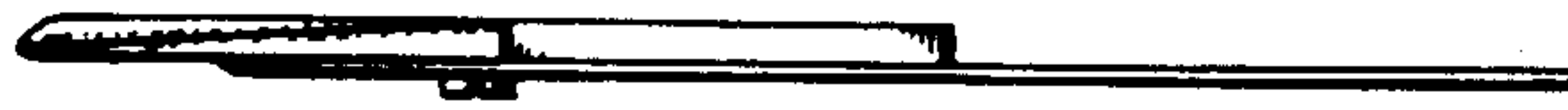


Fig. 6



Fig. 4

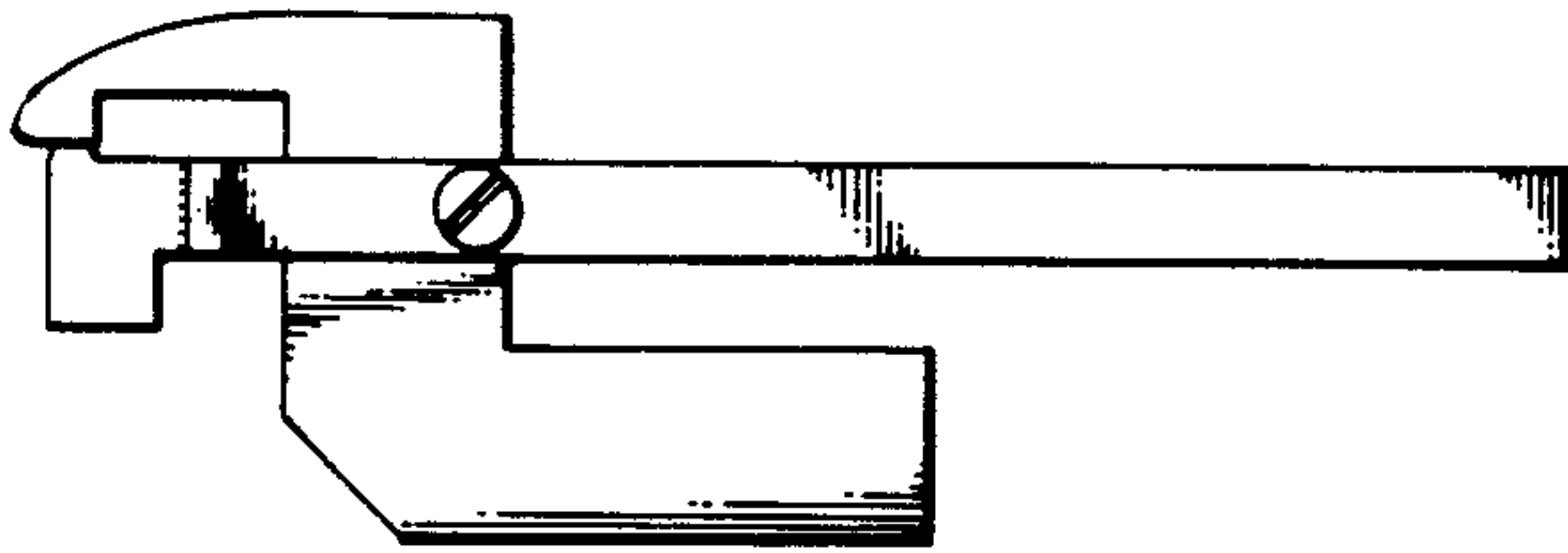


Fig. 2



Fig. 5

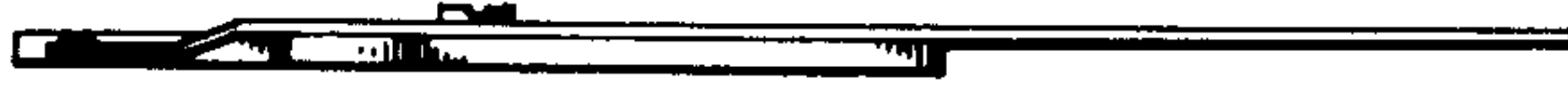


Fig. 7

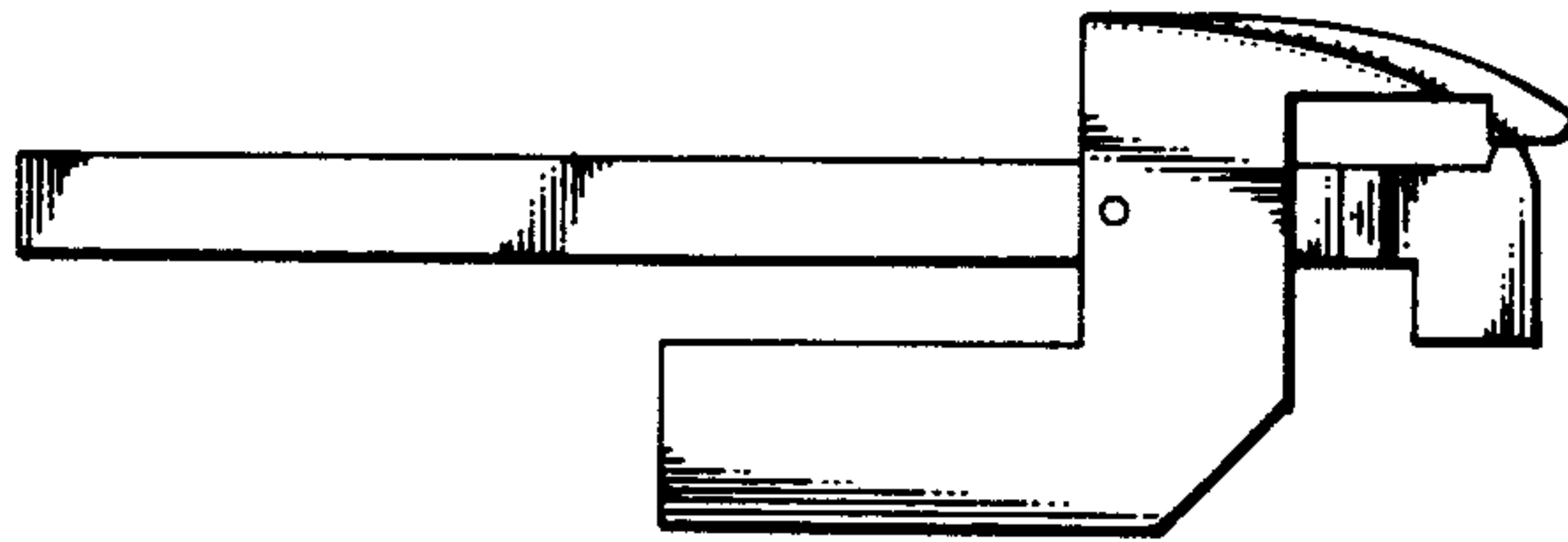


Fig. 3