

[54] CARPET CLEANER

[75] Inventors: Eugene L. Bothun, Berthoud; Thomas G. Cannon, Fort Collins, both of Colo.

[73] Assignee: Clarke-Gravelly Corporation, Muskegon, Mich.

[\*\*] Term: 14 Years

[21] Appl. No.: 841,160

[22] Filed: Oct. 11, 1977

[51] Int. Cl. .... D15-05

[52] U.S. Cl. .... D15/53

[58] Field of Search ..... D15/52, 53, 54, 55, D15/48, 49, 50; 15/320, 321, 322, 323, 324, 325, 353

[56] References Cited

U.S. PATENT DOCUMENTS

D. 212,246	9/1968	Schowalter .....	D15/50
D. 213,846	4/1969	Kingsley .....	D15/50
3,663,985	5/1972	Burgoon .....	15/353

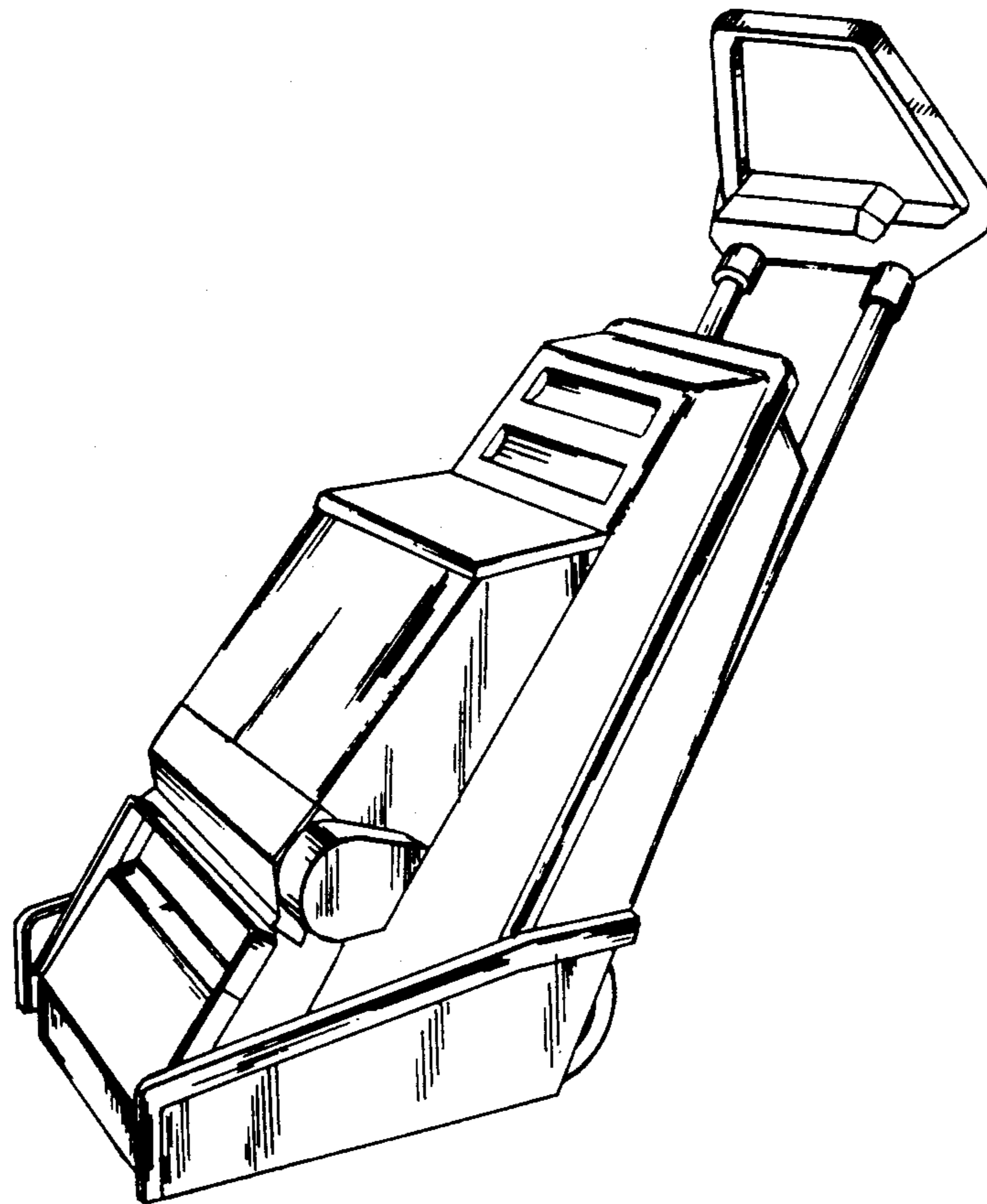
Primary Examiner—Susan J. Lucas  
Assistant Examiner—Catherine Kemper  
Attorney, Agent, or Firm—Peter P. Price

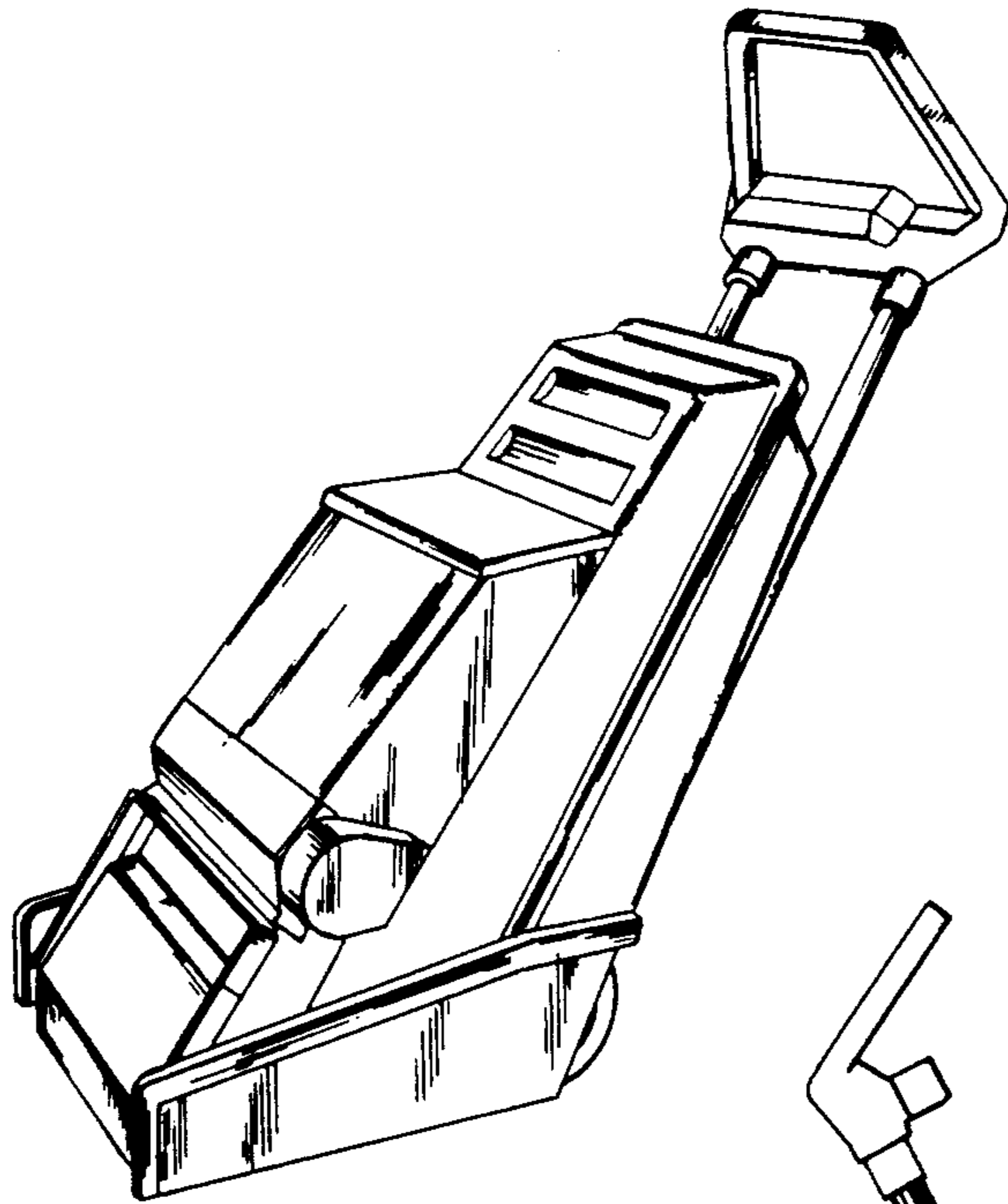
[57] CLAIM

The ornamental design for carpet cleaner, as shown and described.

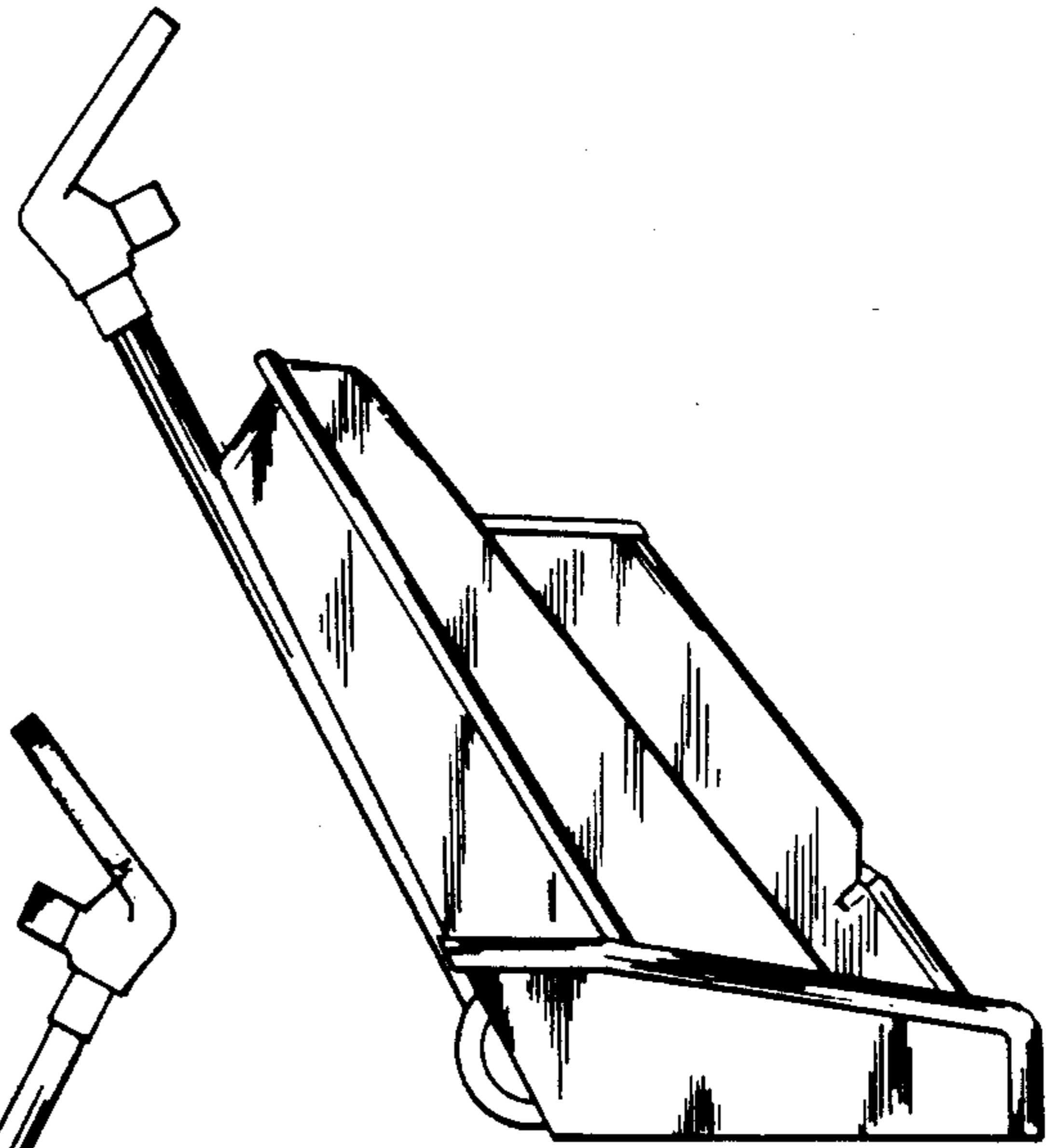
DESCRIPTION

FIG. 1 is a front perspective view of our new design for a carpet cleaner;  
FIG. 2 is a right side elevational view thereof;  
FIG. 3 is a left side elevational view thereof;  
FIG. 4 is a rear elevational view thereof;  
FIG. 5 is a rear perspective view thereof;  
FIG. 6 is a front elevational view thereof; and  
FIG. 7 is a top plan view thereof.

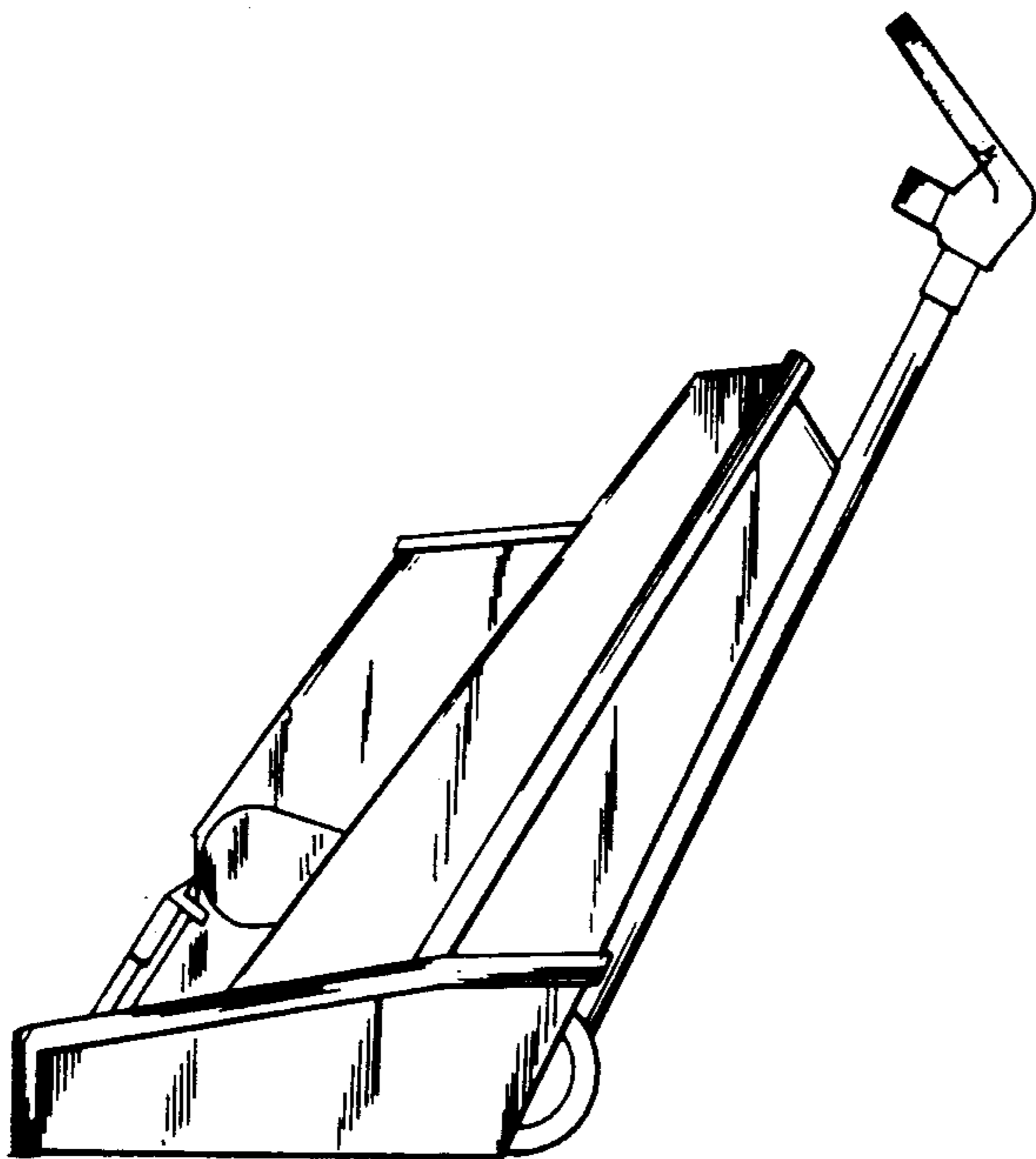




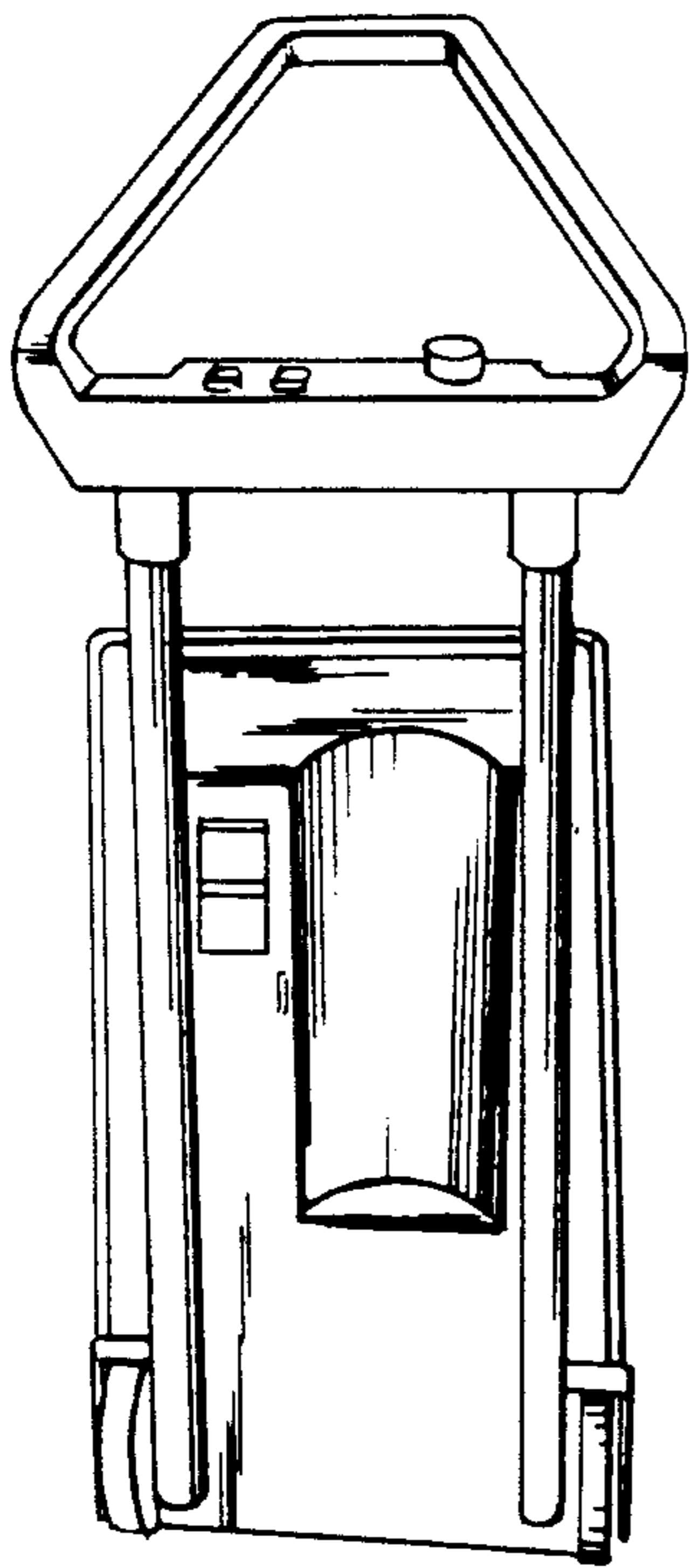
**FIG. 1.**



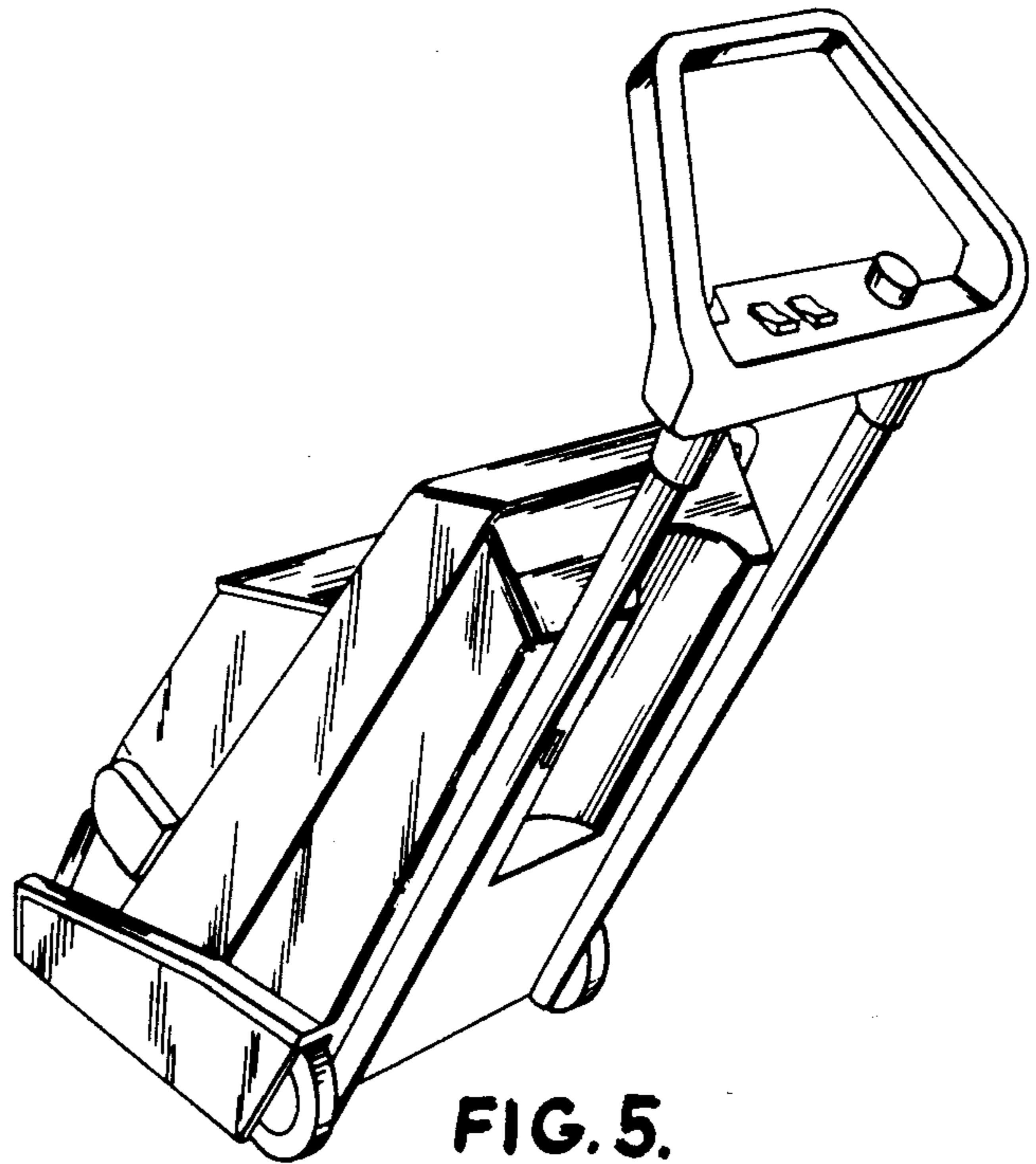
**FIG. 2.**



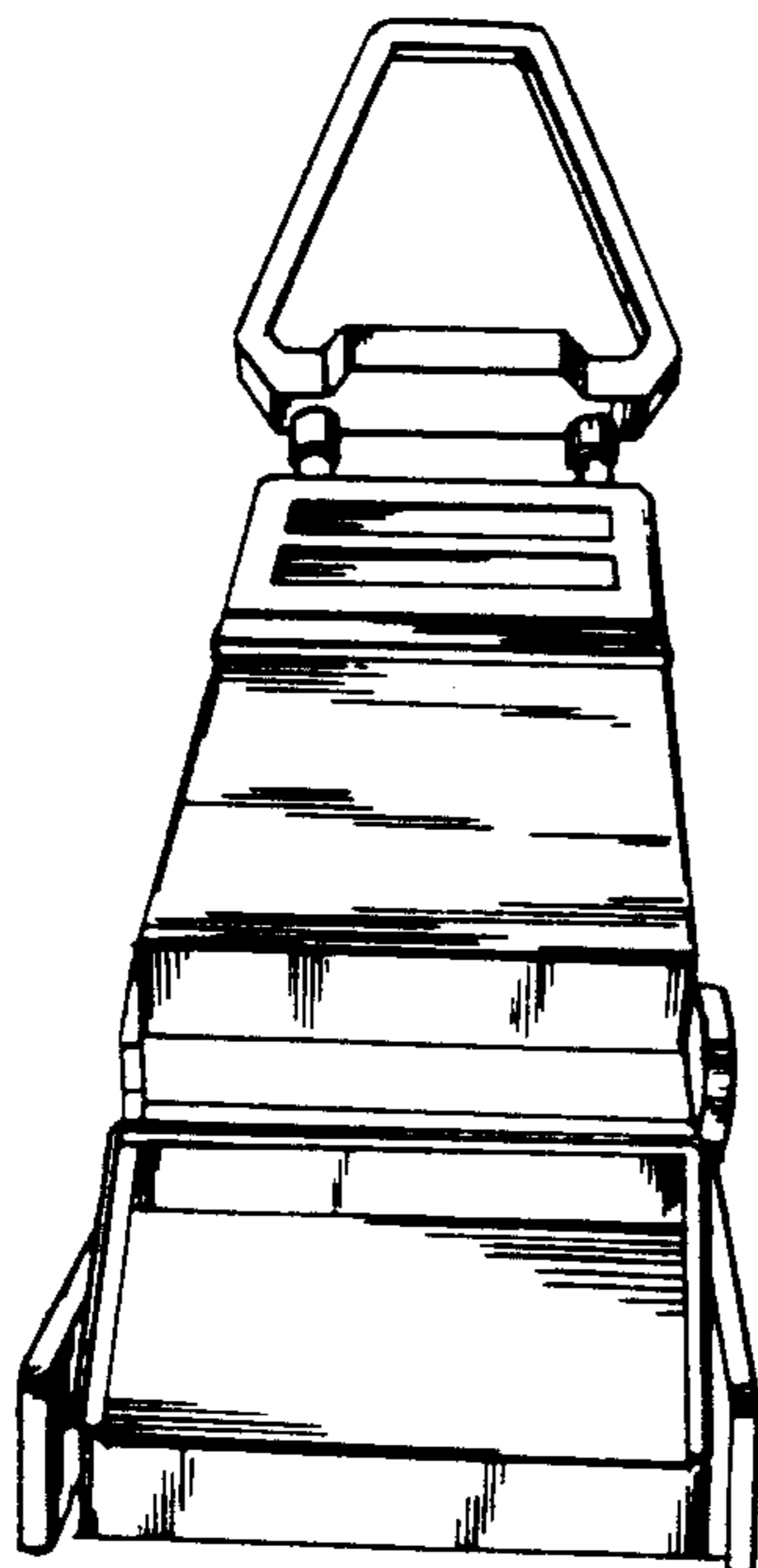
**FIG. 3.**



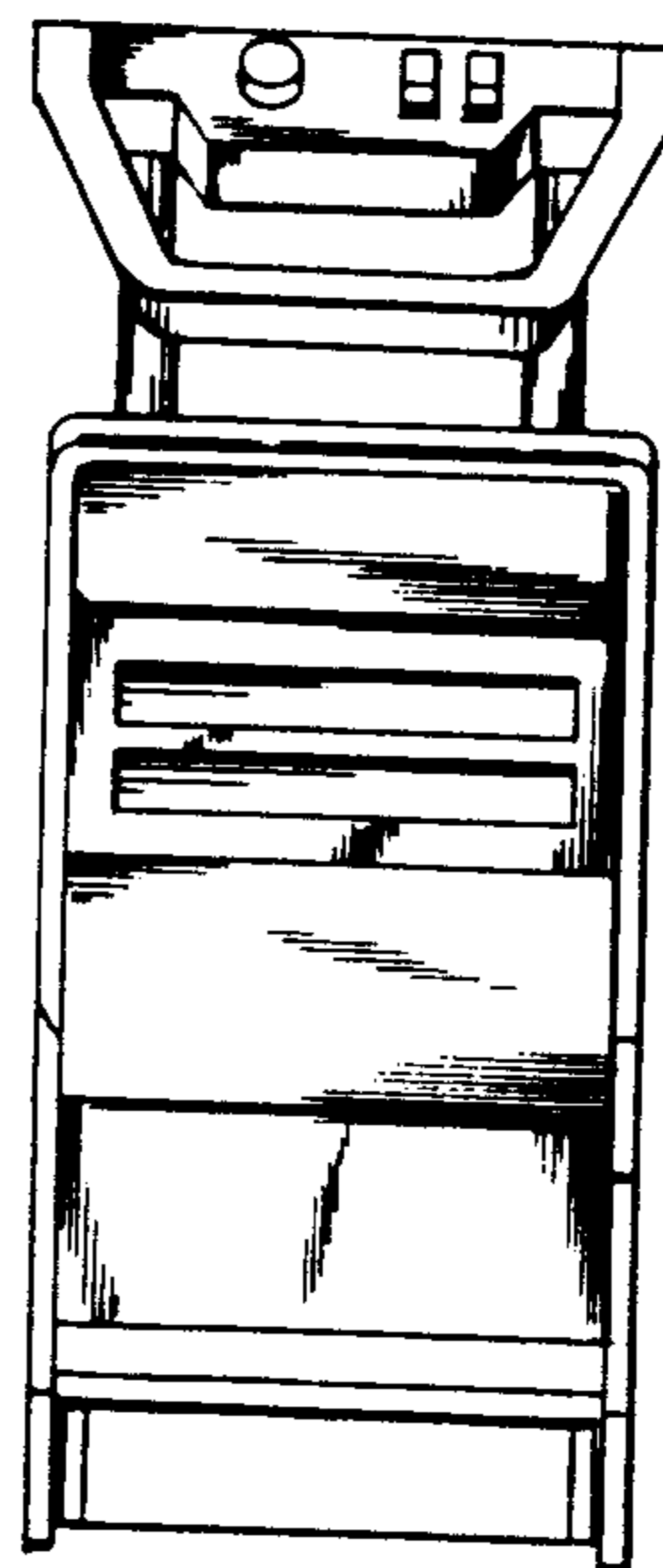
**FIG. 4.**



**FIG. 5.**



**FIG. 6.**



**FIG. 7.**