

[54] AUTO WHEEL SUPPORT DOLLY OR SIMILAR ARTICLE

3,024,036 3/1962 Reynolds 214/334
3,288,483 11/1966 Pittenger 280/79.1 A

[76] Inventor: Thomas Lobdell, 1411 Summit Ct., Mukwonago, Wis. 53149

[**] Term: 14 Years

[21] Appl. No.: 896,921

[22] Filed: Apr. 17, 1978

[51] Int. Cl. D12-02

[52] U.S. Cl. D12/31

[58] Field of Search D12/31, 25; 280/47.34, 280/79.1 R, 79.1 A, 79.2, 79.3, 651; 211/23, 24

[56] References Cited

U.S. PATENT DOCUMENTS

806,599 12/1905 Thibault 214/334

OTHER PUBLICATIONS

Cres-Cor Food Handling Equipment Catalog, p. 3b/1, Dolly Model 514-2, top right side of page.

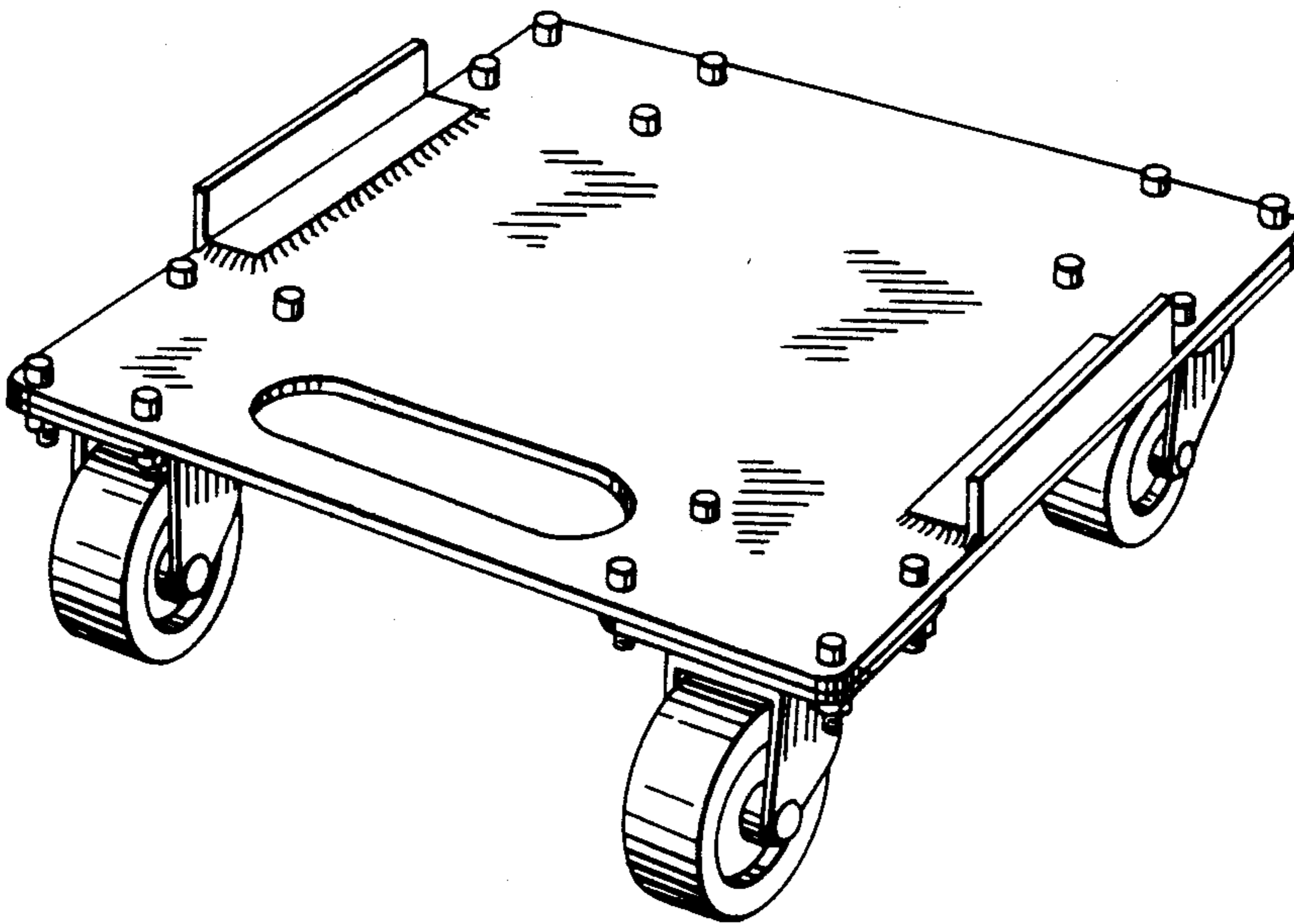
Primary Examiner—James M. Gandy

[57] CLAIM

The ornamental design for an auto wheel support dolly or similar article, as shown and described.

DESCRIPTION

FIG. 1 is a perspective view of an auto wheel support dolly or similar article showing my new design; FIG. 2 is a top plan view thereof; FIG. 3 is an elevational view of either side thereof; and FIG. 4 is an elevational view of the front or back thereof.



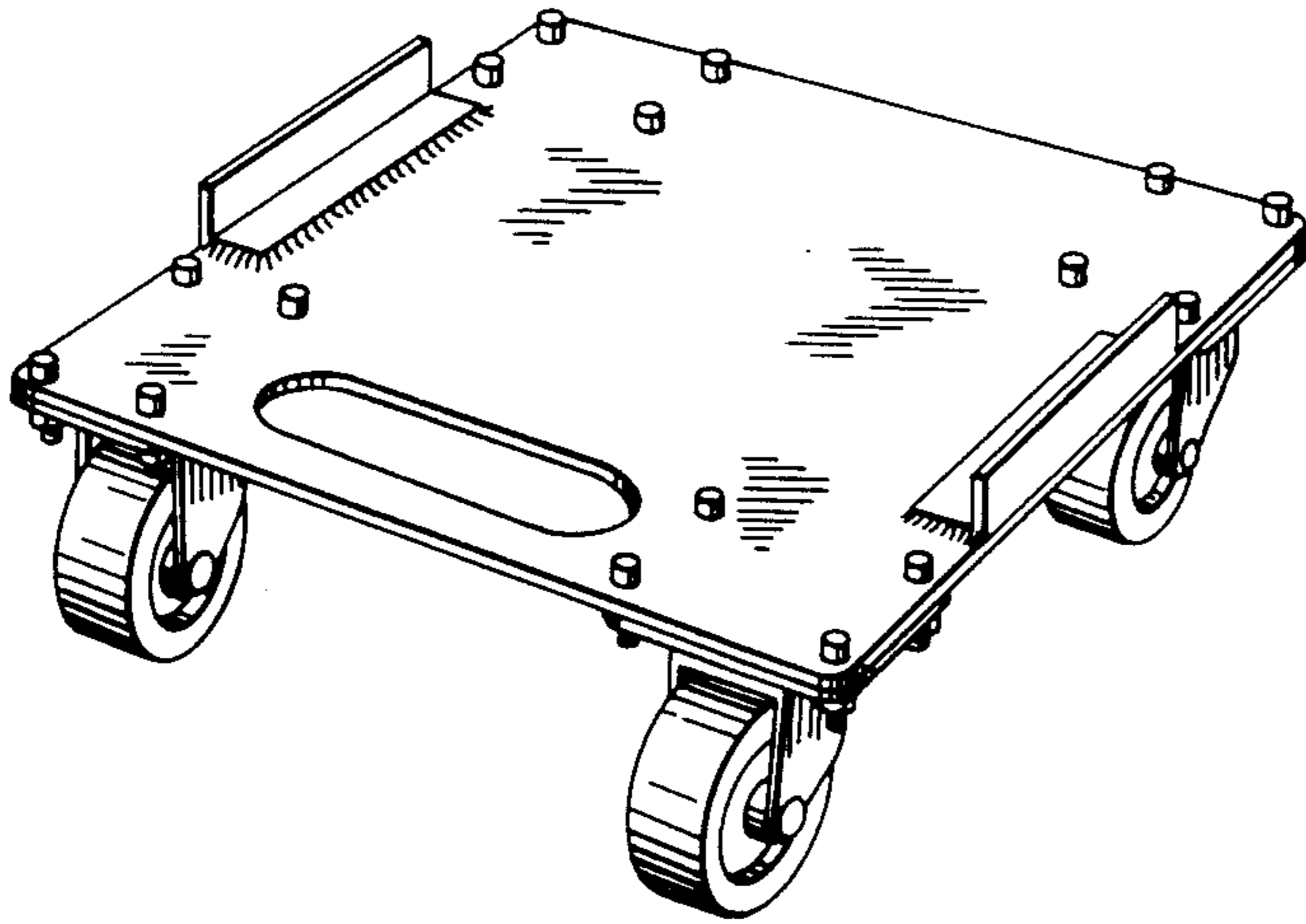


Fig. 1

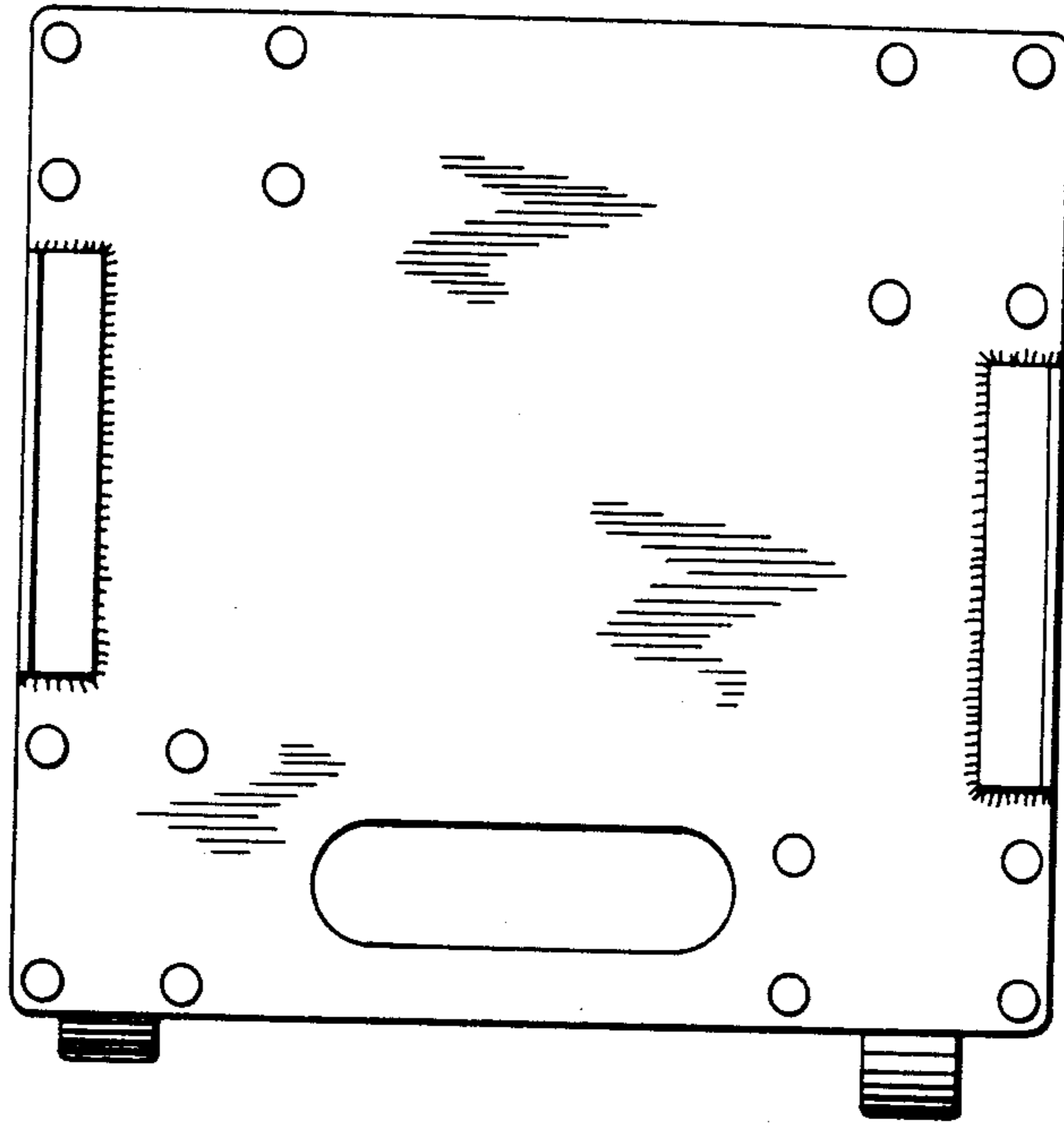


Fig. 2

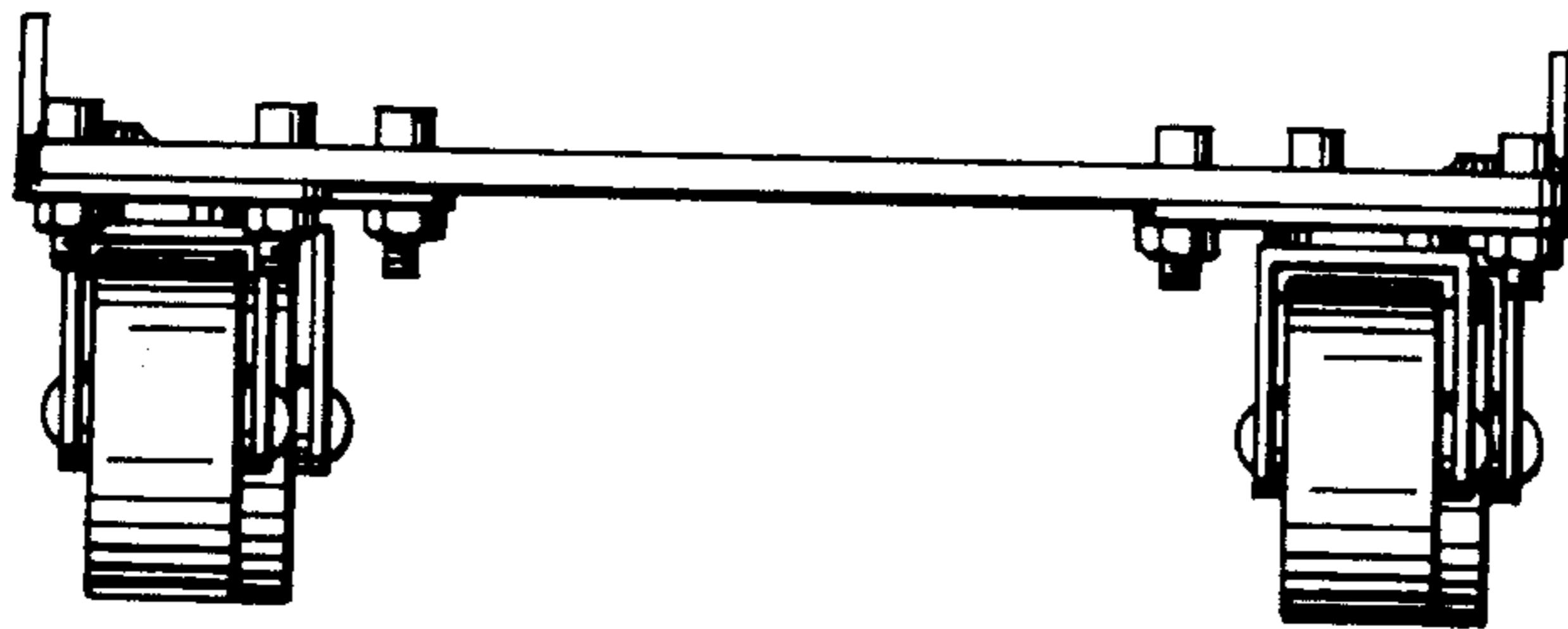


Fig. 3

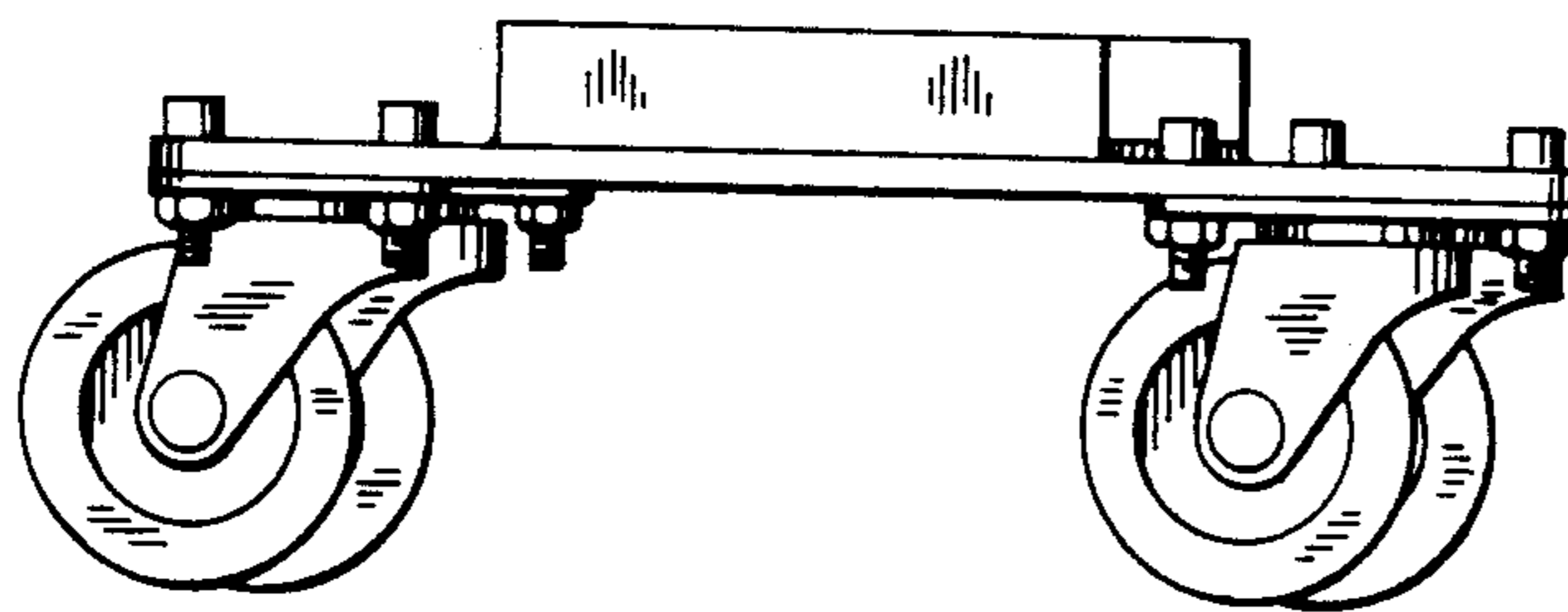


Fig. 4