

[54] FABRIC DISPLAY RACK
[75] Inventors: Donald A. Butcher, Burlington;
Marvin L. Barbee, Glen Raven, both
of N.C.

D. 201,480 6/1965 Faber D6/85
292,199 1/1884 Bellinger 211/168
1,240,611 9/1917 Smith 211/96
2,922,528 1/1960 Carlson D6/116
3,174,627 3/1965 Marschak 211/90

[73] Assignee: Marquette Electronics, Inc.

FOREIGN PATENT DOCUMENTS

[**] Term: 14 Years

111262 7/1967 Norway 211/48

[21] Appl. No.: 890,701

Primary Examiner—Wallace R. Burke
Assistant Examiner—B. J. Bullock
Attorney, Agent, or Firm—David Rabin

[22] Filed: Mar. 20, 1978

[57] CLAIM

[51] Int. Cl. D20—02
[52] U.S. Cl. D6/157; D6/85;
D6/114

The ornamental design for a fabric display rack, as shown and described.

[58] Field of Search D6/114, 116, 120, 124,
D6/125, 129, 130, 137, 99; 211/87, 90, 100, 44,
48, 96, 168; 242/134; 223/106; D3/19 D

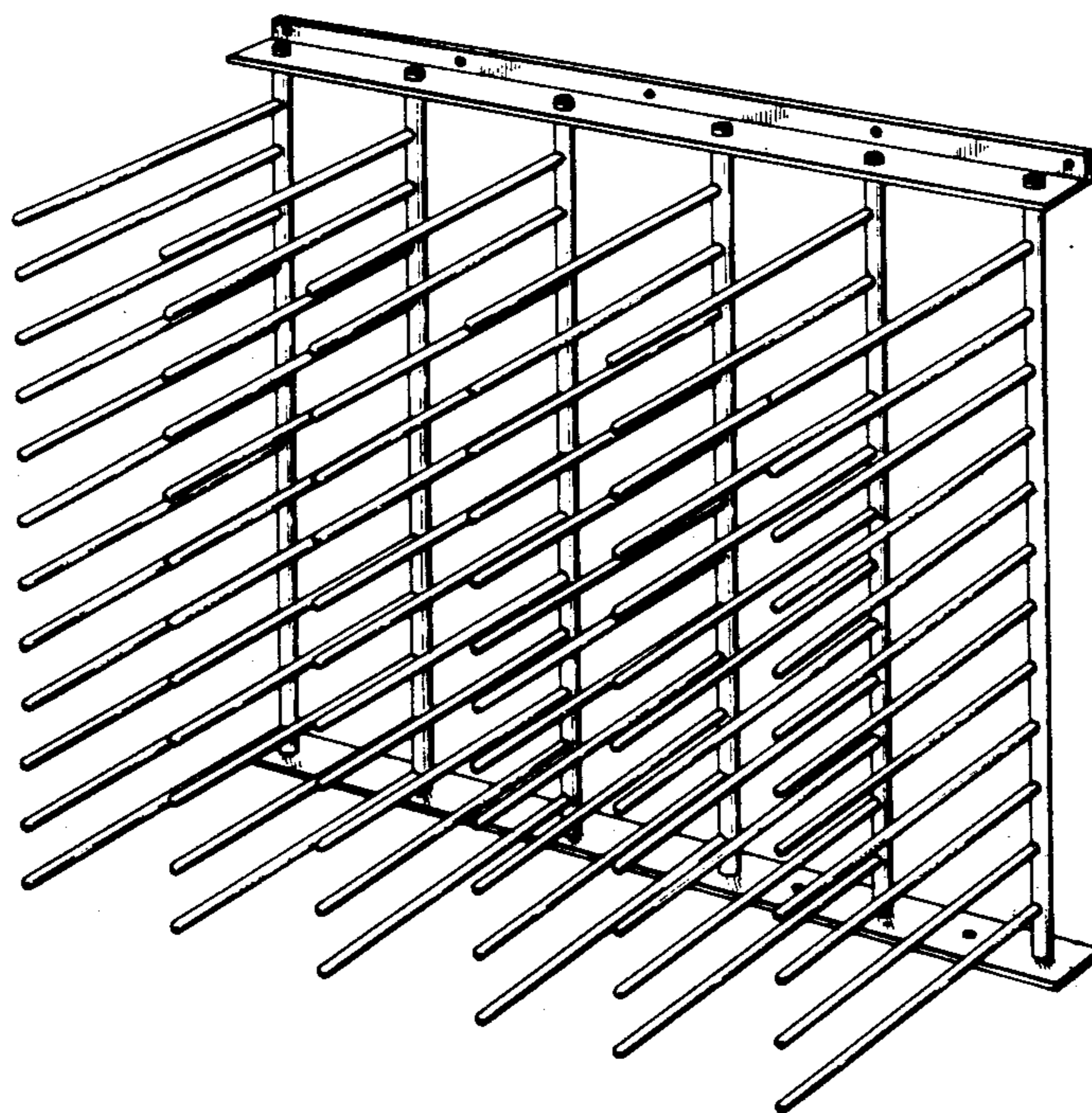
DESCRIPTION

[56] References Cited

U.S. PATENT DOCUMENTS

D. 195,666 7/1963 Sheline D3/19 D

FIG. 1 is a front perspective view of a fabric display rack embodying our new design;
FIG. 2 is a right end elevation view of FIG. 1;
FIG. 3 is a front elevational view with two of the arms pivoted to alternate positions;
FIG. 4 is a top view of FIG. 3.



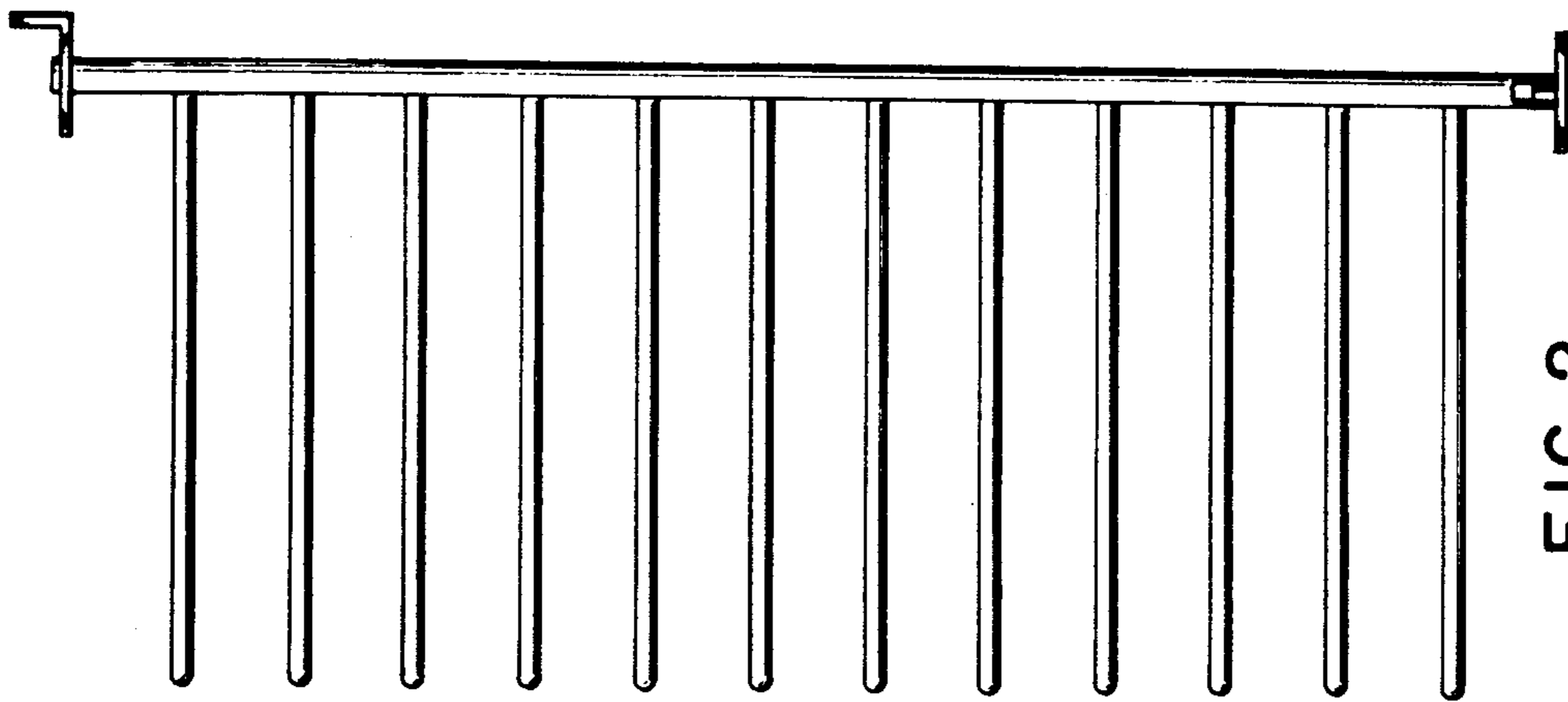


FIG. 2

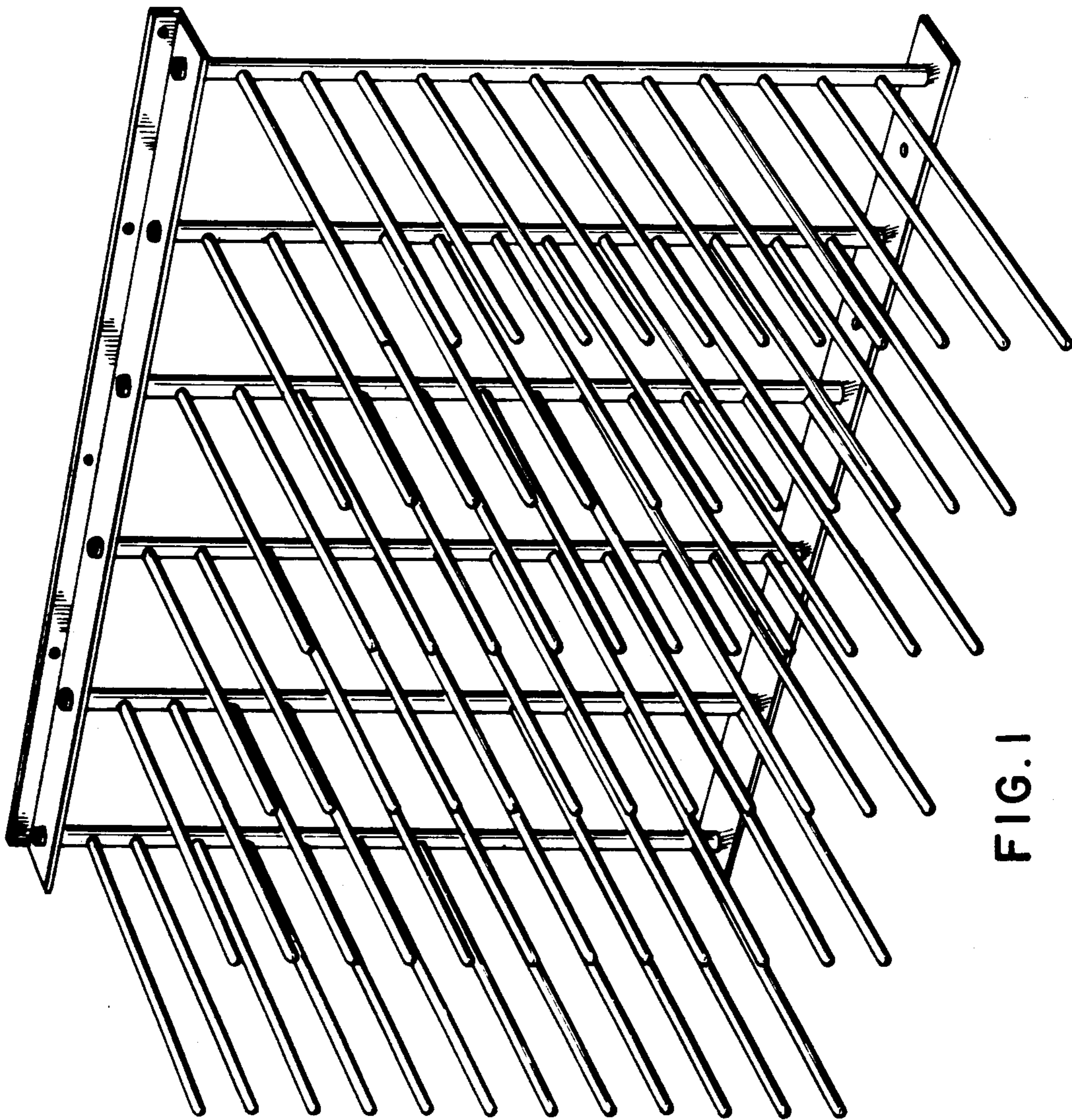


FIG. 1

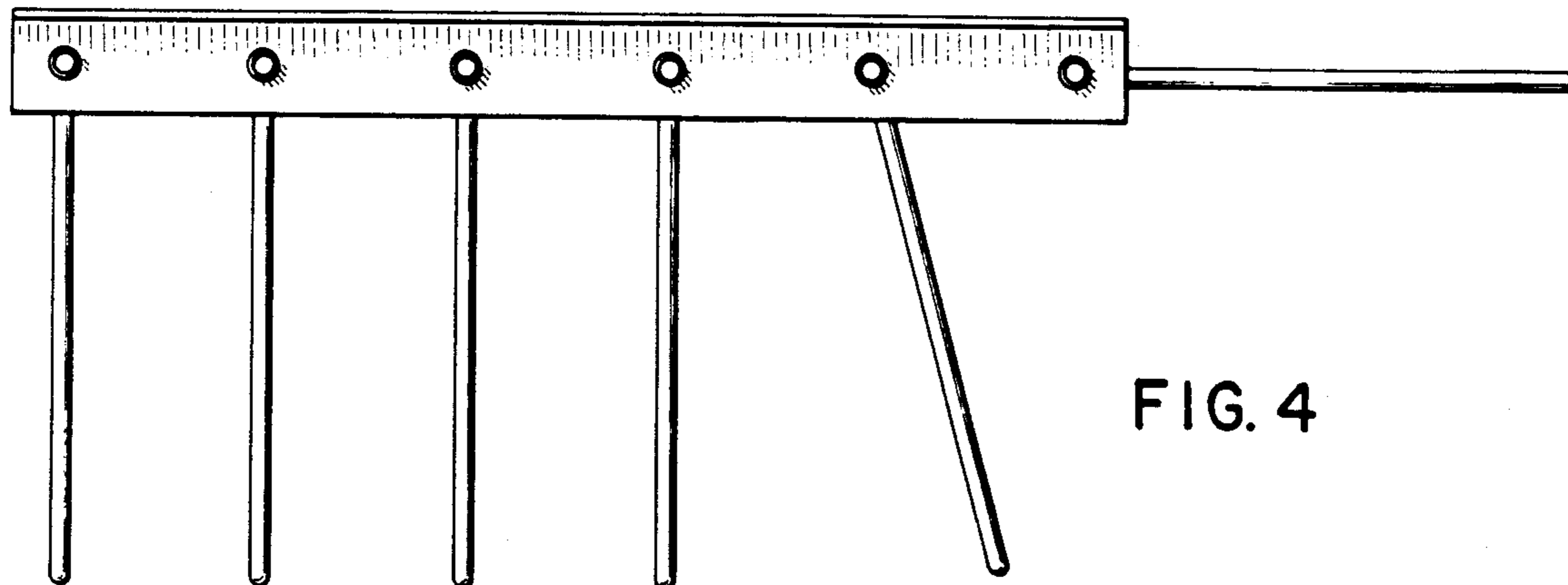


FIG. 4

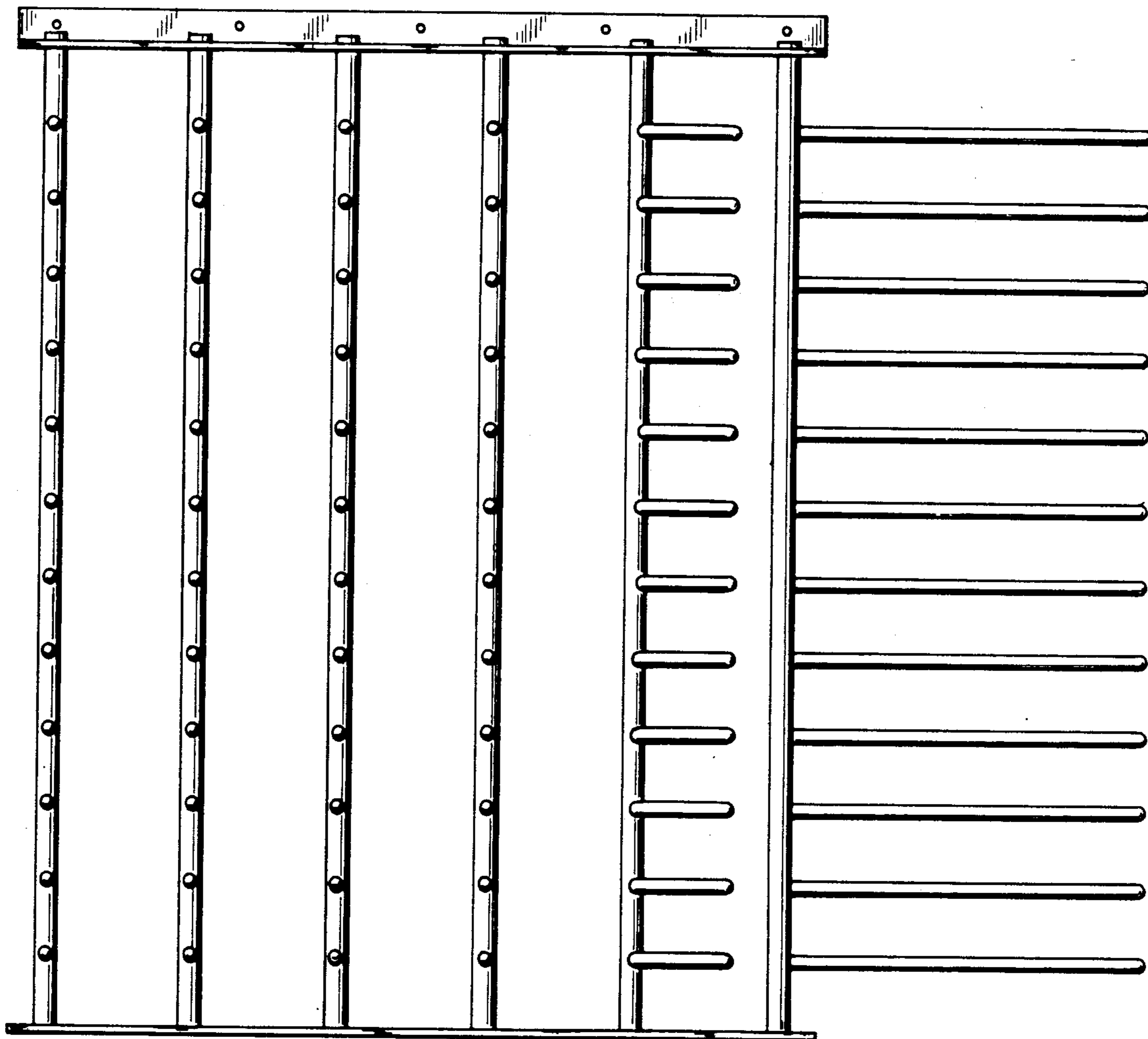


FIG. 3

UNITED STATES PATENT AND TRADEMARK OFFICE
CERTIFICATE OF CORRECTION

PATENT NO. : Des. 253450
DATED : November 20, 1979
INVENTOR(S) : Donald A. Butcher

It is certified that error appears in the above-identified patent and that said Letters Patent are hereby corrected as shown below:

On the cover page, delete Item [73].

Signed and Sealed this

Eleventh Day of March 1980

[SEAL]

Attest:

SIDNEY A. DIAMOND

Attesting Officer

Commissioner of Patents and Trademarks