

[54] DATA PROCESSING WORK STATION OR THE LIKE

[75] Inventor: George R. Daniels, Phoenix, Ariz.

[73] Assignee: Honeywell Information Systems Inc., Phoenix, Ariz.

[**] Term: 7 Years

[21] Appl. No.: 825,876

[22] Filed: Aug. 19, 1977

[51] Int. Cl. D6-03

[52] U.S. Cl. D6/186; D6/161; D6/168; D6/174; D6/179

[58] Field of Search D6/150, 153, 154, 156, D6/158-166, 167-171, 174, 177, 179, 181, 186; 312/283, 286, 194, 196

[56] References Cited

U.S. PATENT DOCUMENTS

D. 134,717	1/1943	Braun	D6/161
D. 180,307	5/1957	Wells	D6/161 X
D. 182,263	3/1958	Wells	D6/161 X

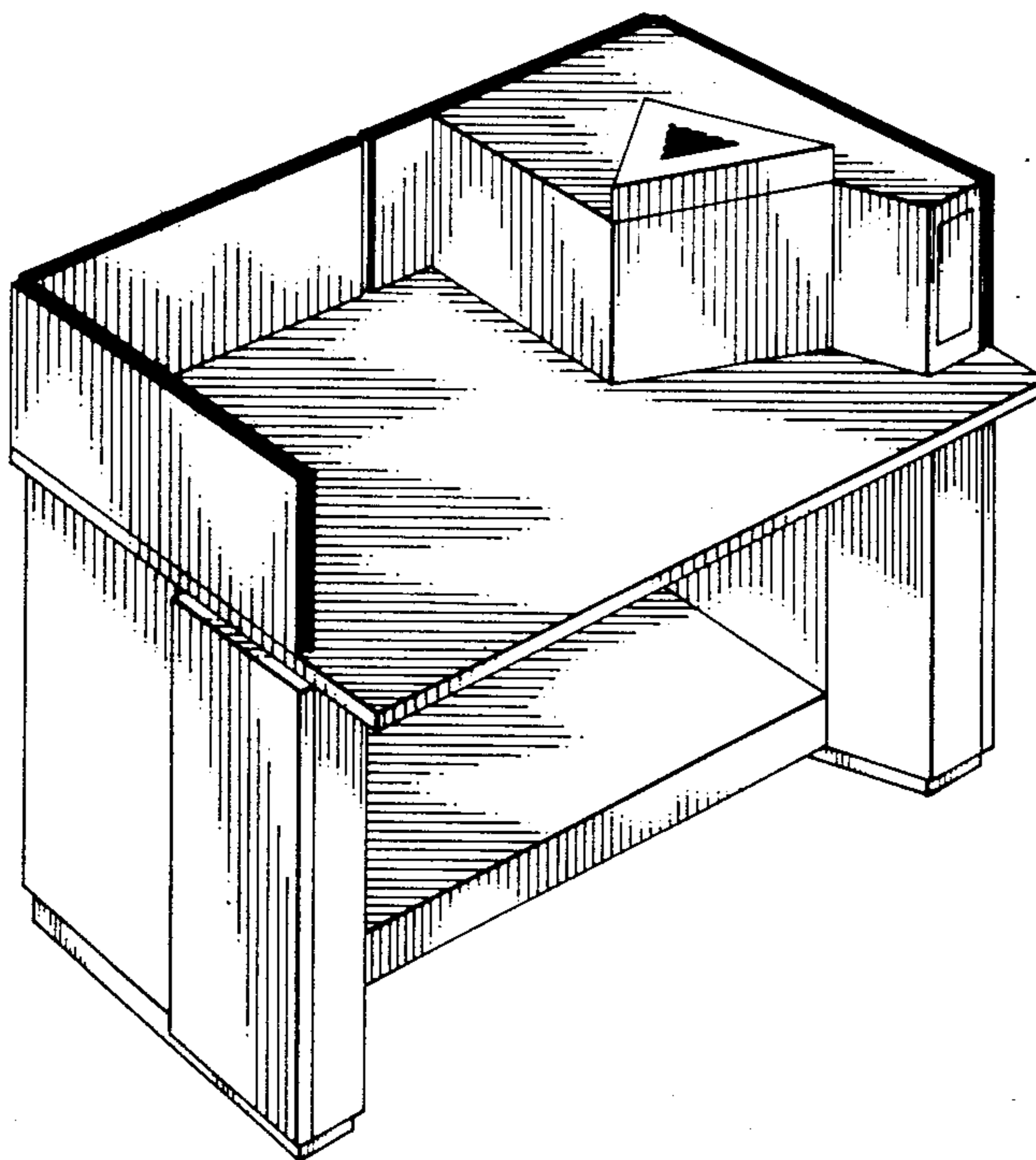
Primary Examiner—Bruce W. Dunkins
Attorney, Agent, or Firm—William W. Holloway, Jr.

[57] CLAIM

The ornamental design for a data processing work station or the like, as shown.

DESCRIPTION

FIG. 1 is a left side, top and front perspective view of a data processing work station or the like; FIG. 2 is a front side elevation view of the same; FIG. 3 is a right side, bottom and rear perspective view of the same; and FIG. 4 is a top plan view of the same.



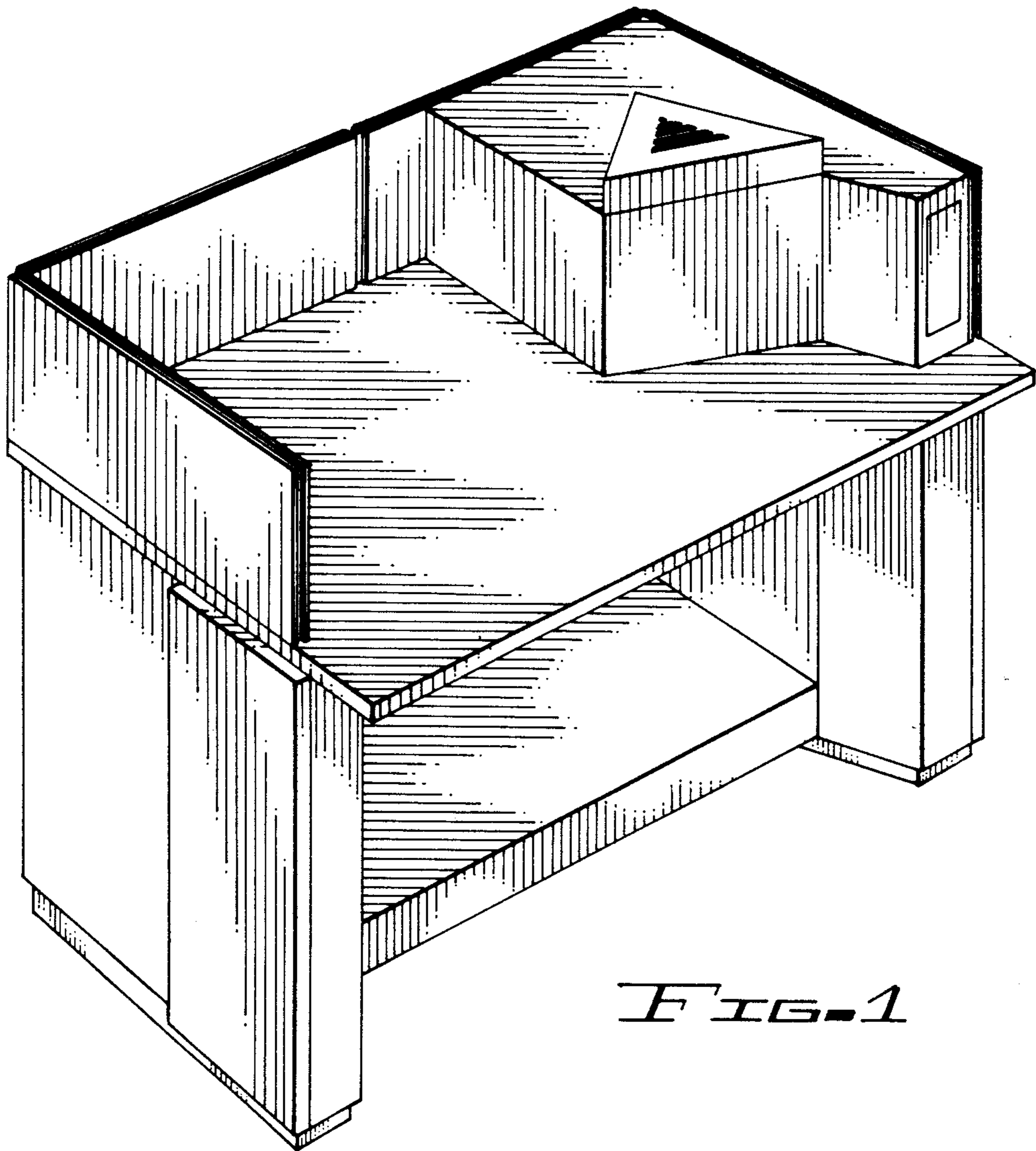


FIG. 1

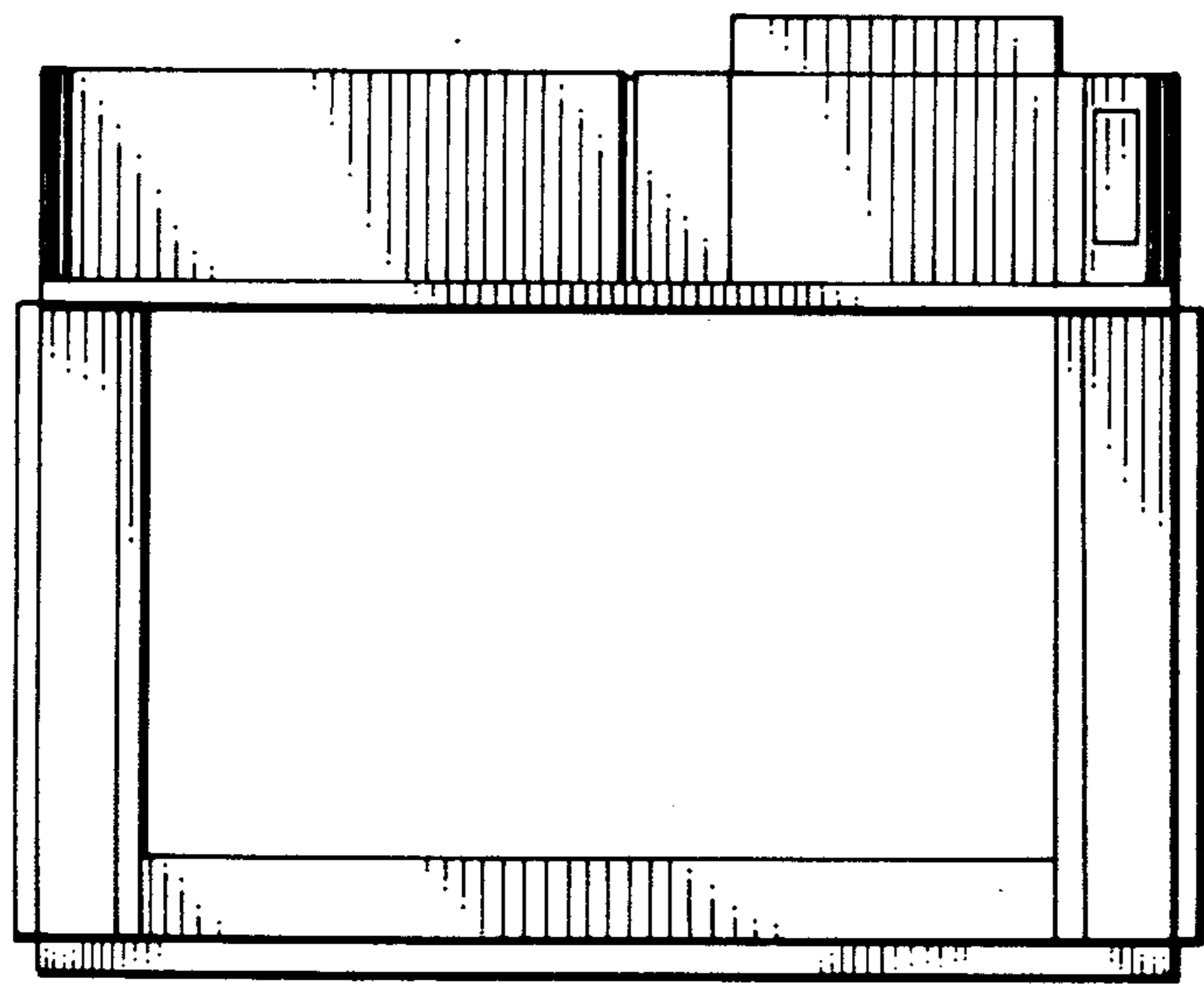


FIG. 2

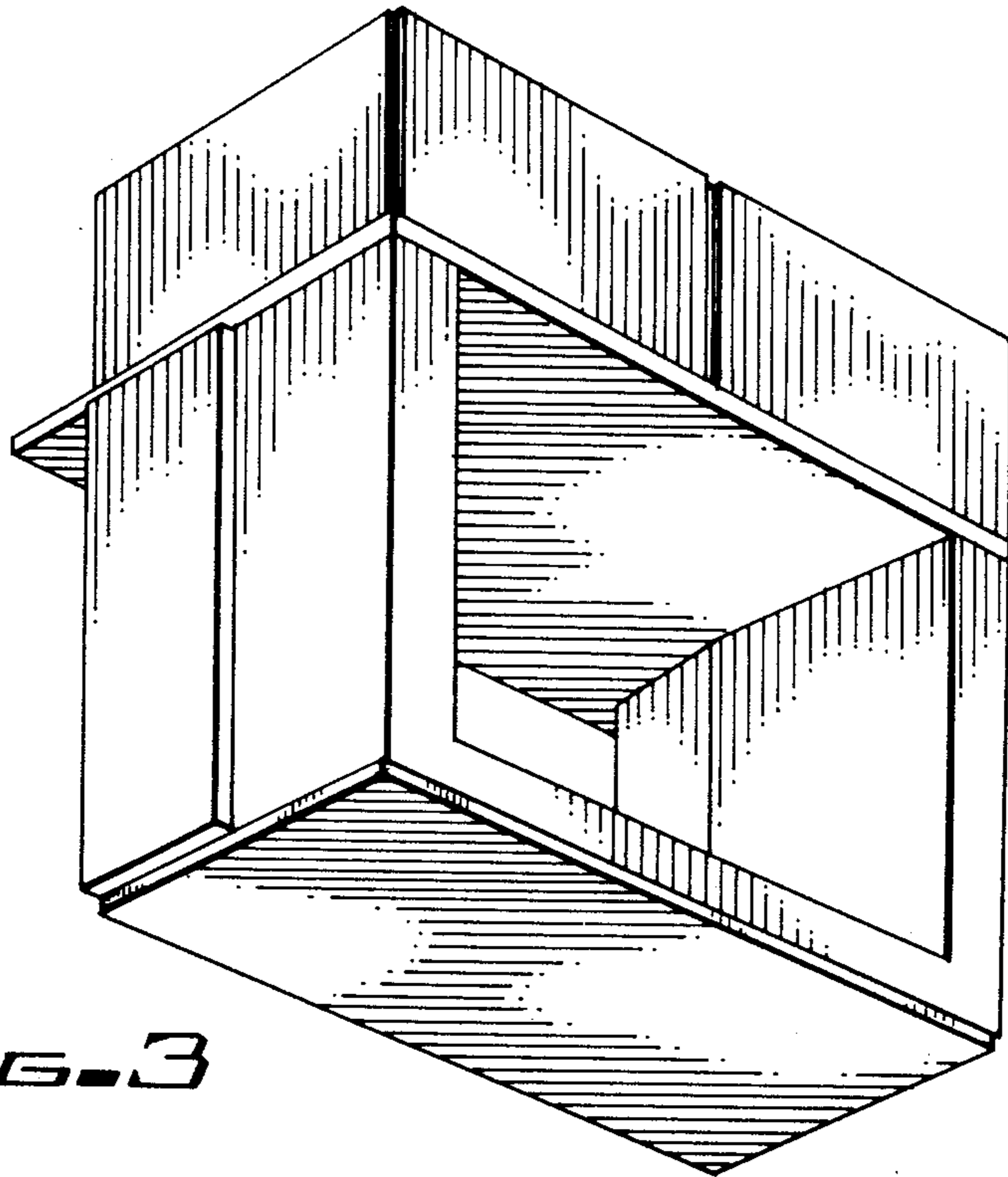


FIG. 3

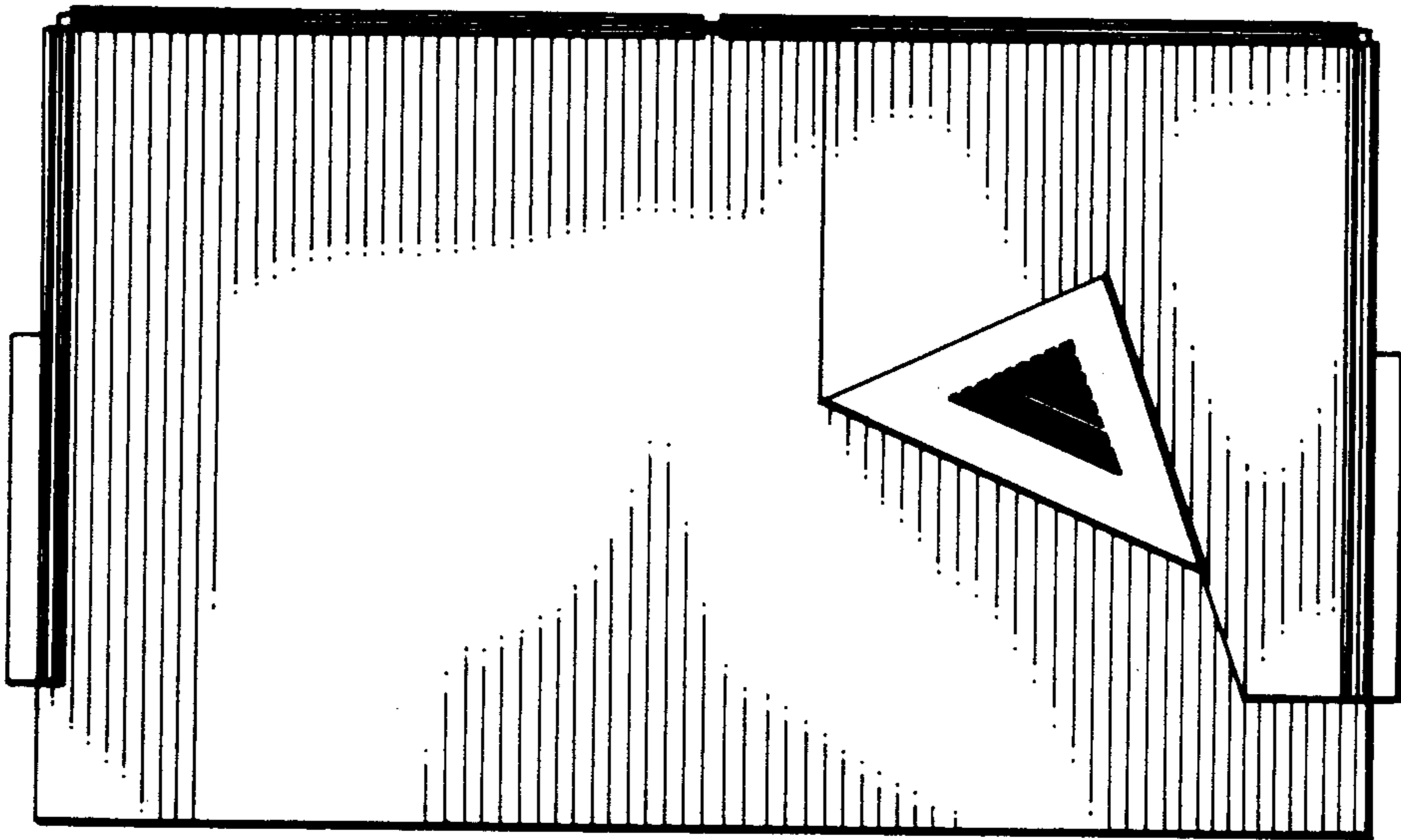


FIG. 4