

- [54] **PHONOGRAPH RECORD RACK**
- [75] Inventors: **Gregory Mathus, Sudbur; Edward Yonkers, Newton, both of Mass.**
- [73] Assignee: **Data Packaging Corporation, Cambridge, Mass.**
- [**] Term: **14 Years**
- [21] Appl. No.: **830,361**
- [22] Filed: **Sep. 2, 1977**
- [51] Int. Cl. **D6-99**
- [52] U.S. Cl. **D6/185**
- [58] Field of Search **D6/181, 184, 185, 186, D6/188, 189, 85; D19/91**

D. 243,647 3/1977 Schoenfeld D6/185 X

OTHER PUBLICATIONS

"The Country Gourmet", p. 39, record rack right center.

Primary Examiner—Bruce W. Dunkins
Attorney, Agent, or Firm—David Wolf

[57] **CLAIM**

The ornamental design for a phonograph record rack, as shown and described.

DESCRIPTION

FIG. 1 is an isometric view of a phonograph record rack constructed in accordance with our design.

FIG. 2 is a side view thereof.

FIG. 3 is a top view thereof.

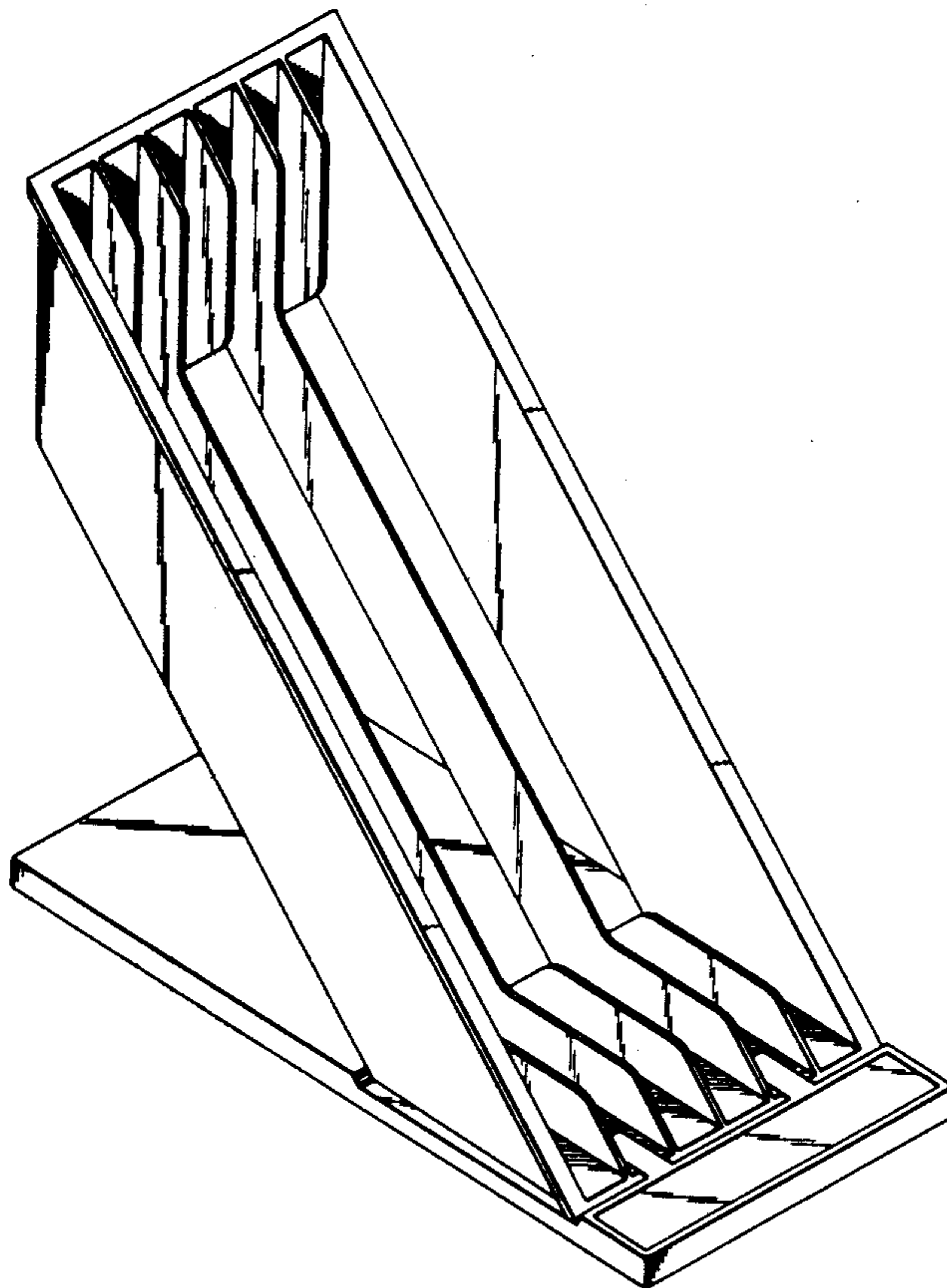
FIG. 4 is a sectional view taken along the line 4-4 of FIG. 2.

The side not shown is a mirror image of the side shown in FIG. 2, while the rear surface is flat and unornamented.

[56] **References Cited**

U.S. PATENT DOCUMENTS

D. 136,810	12/1943	Rauch	D6/185
D. 152,689	2/1949	Henn	D6/185
D. 171,598	3/1954	Herrmann	D6/168
D. 236,675	9/1975	Darnell	D6/185



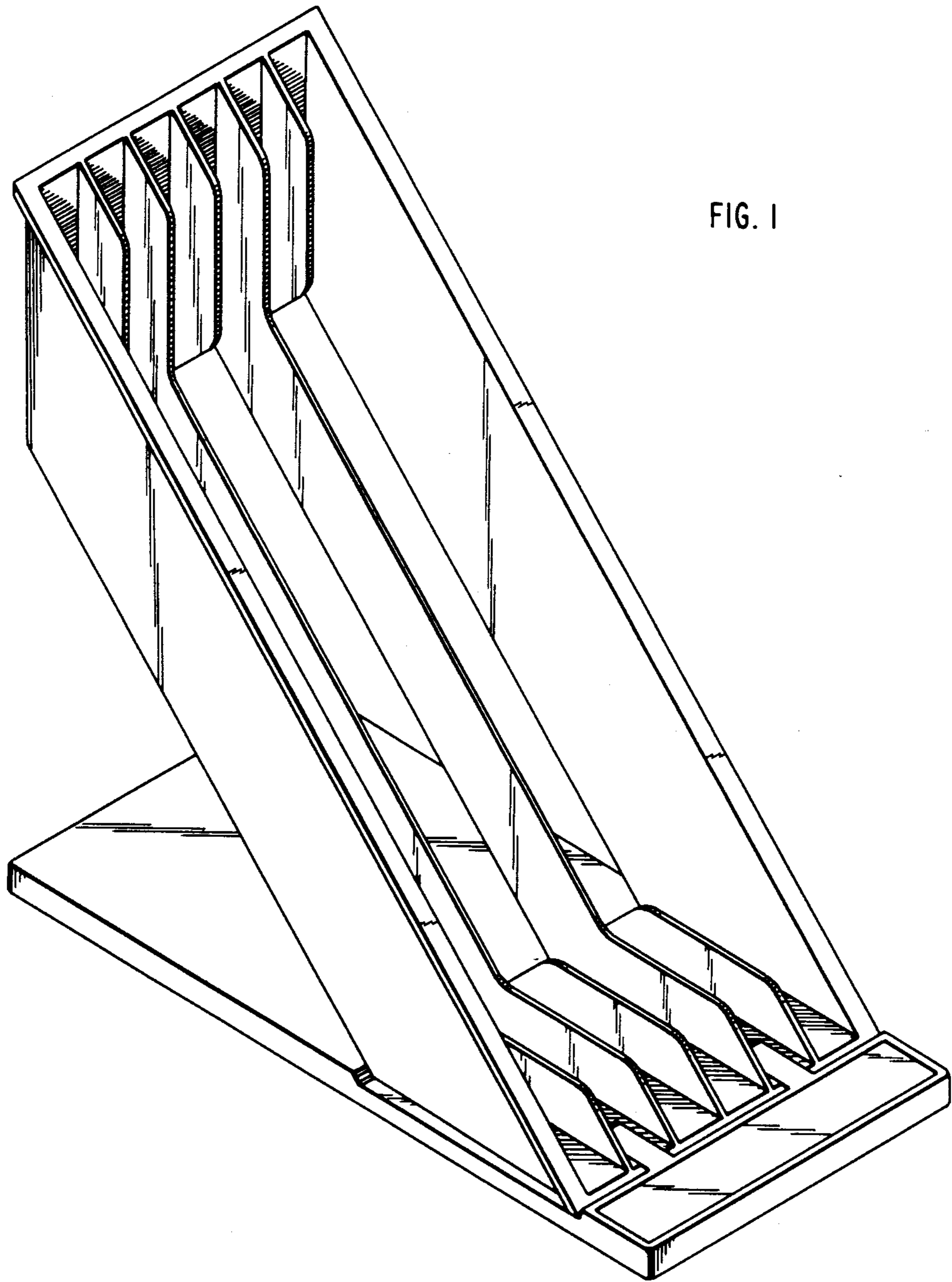


FIG. 1

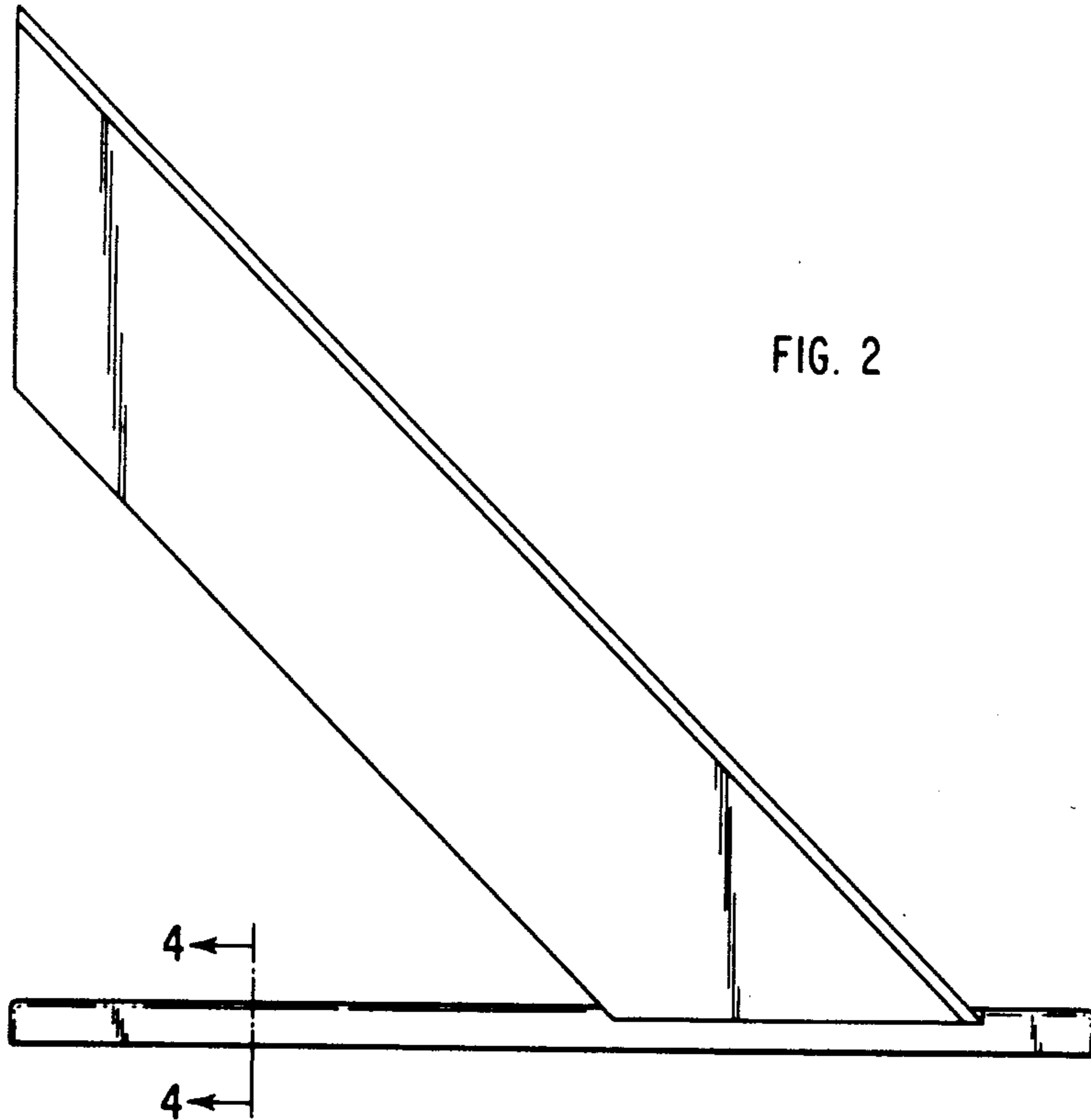


FIG. 3

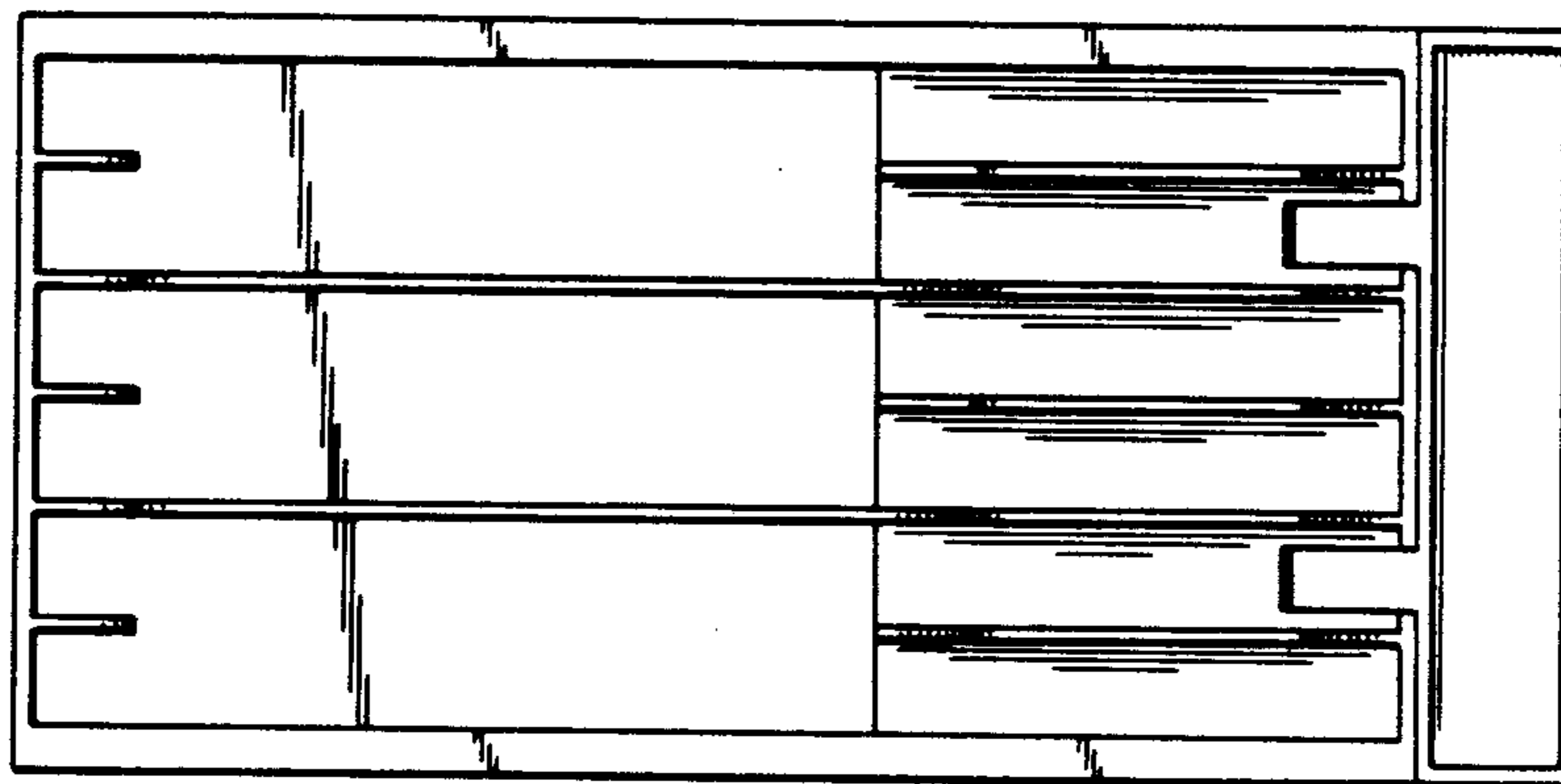


FIG. 4