

[54] CHAIR

[75] Inventor: Huey T. Keller, High Point, N.C.

[73] Assignee: Vaughan Furniture Company, Inc.

[**] Term: 14 Years

[21] Appl. No.: 822,604

[22] Filed: Aug. 8, 1977

[51] Int. Cl. D6-01

[52] U.S. Cl. D6/70; D6/72

[58] Field of Search D6/26, 30, 31, 47-78

[56] References Cited

U.S. PATENT DOCUMENTS

D. 40,469	1/1910	Killian	D6/70
D. 77,816	2/1929	Derby	D6/70
D. 88,663	12/1932	McLaurin	D6/68
D. 181,213	10/1957	Lubberts et al.	D6/70
D. 181,215	10/1957	Lubberts et al.	D6/70
D. 181,259	10/1957	Lubberts et al.	D6/70
D. 208,301	8/1967	Richards	D6/70

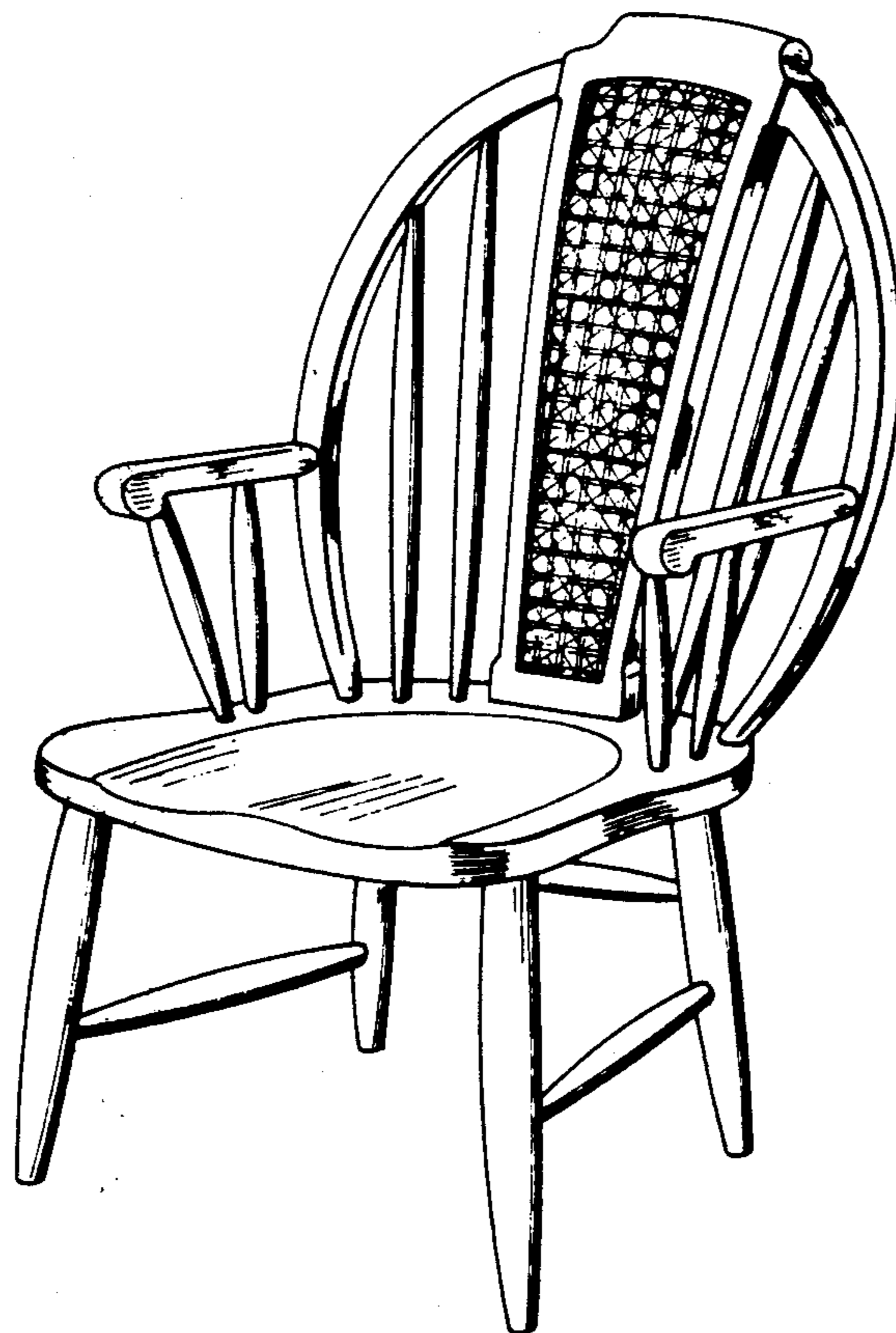
Primary Examiner—Bruce W. Dunkins
Attorney, Agent, or Firm—David Rabin

[57] CLAIM

The ornamental design for a chair, as shown.

DESCRIPTION

FIG. 1 is a front perspective view of a chair embodying my design; and
FIG. 2 is a rear perspective view of FIG. 1.



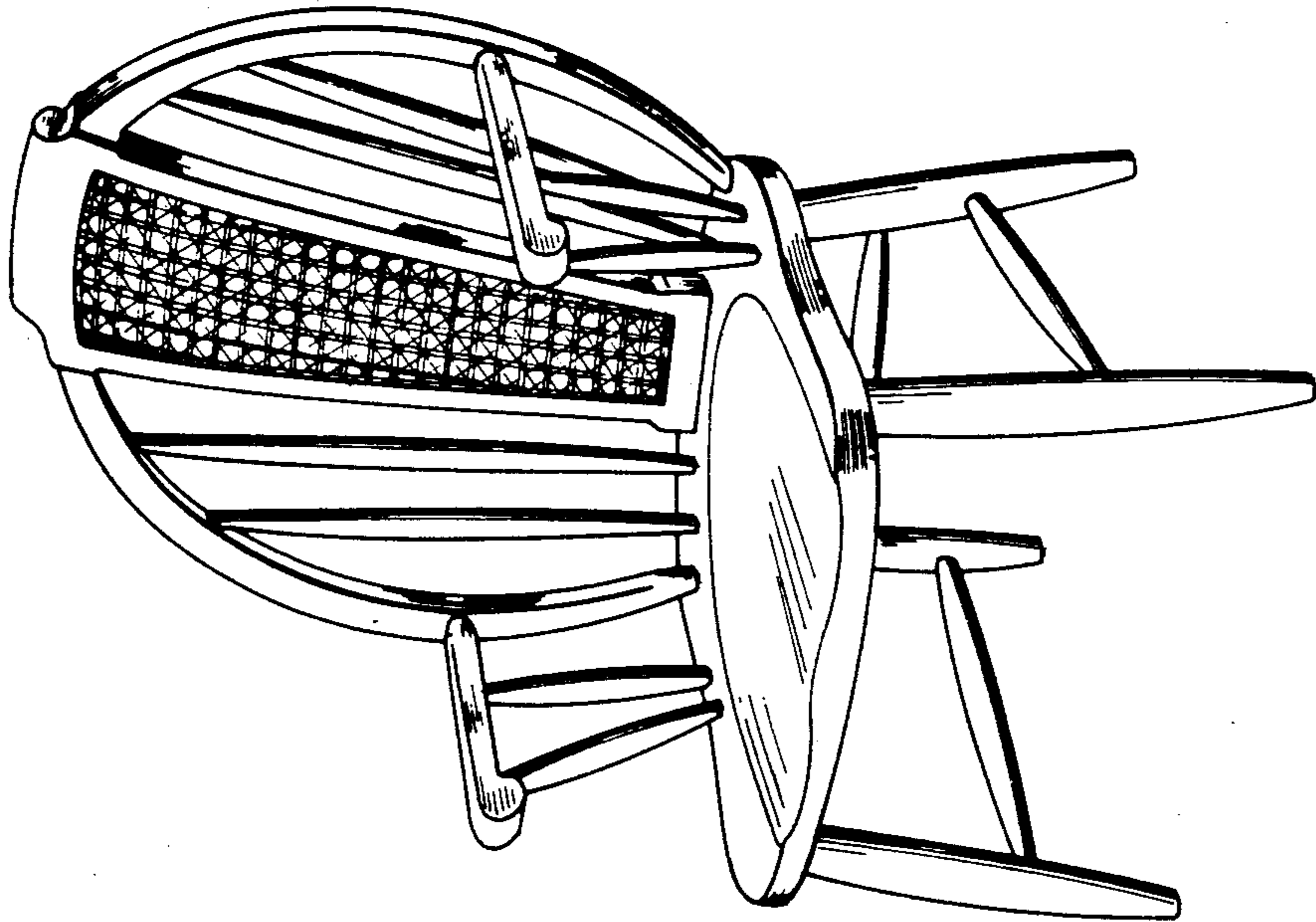


FIG. 1

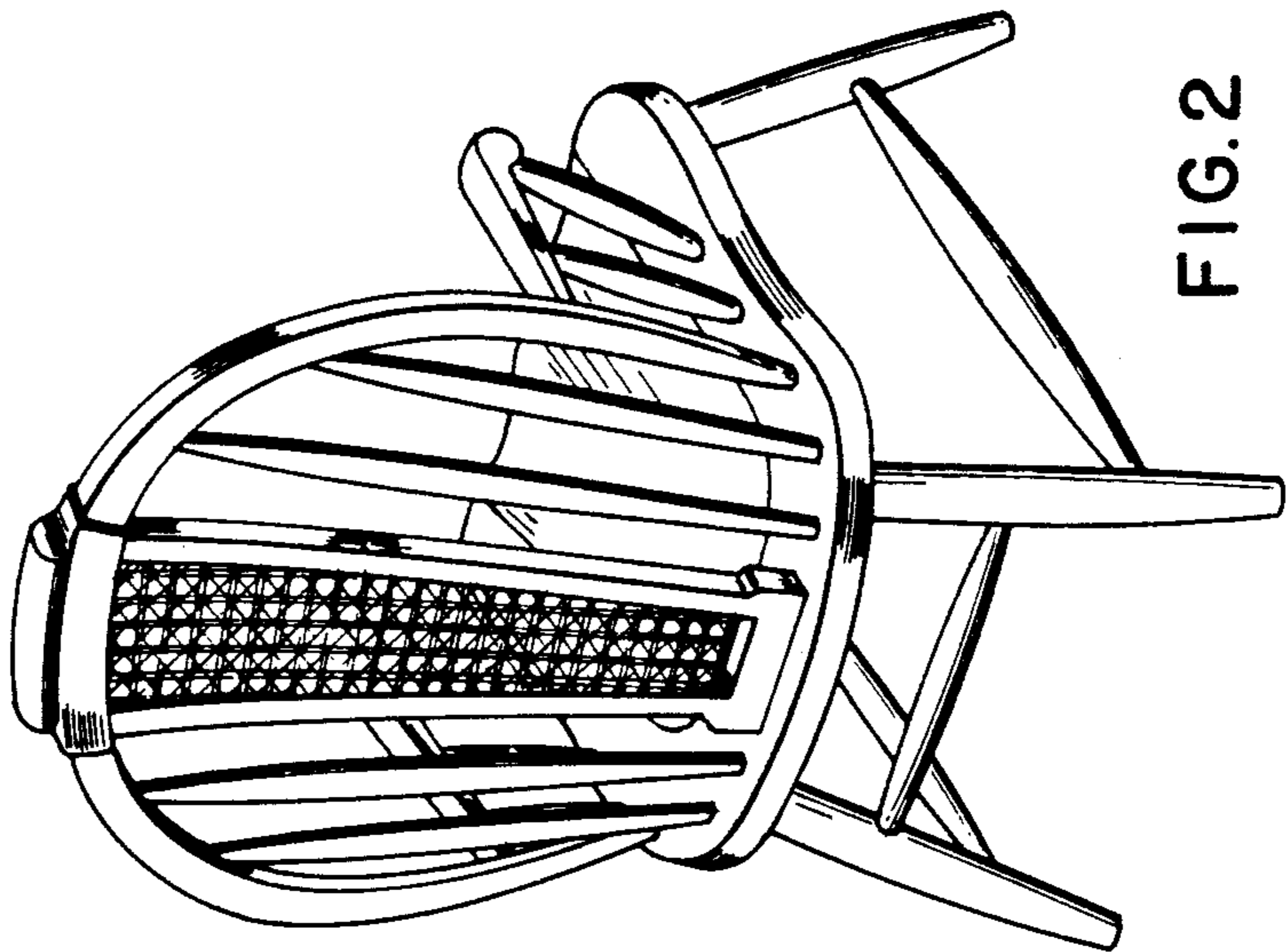


FIG. 2