

[54] MAILBOX

[76] Inventor: Stephen D. Hale, Rte. 1, Box 316, Dublin, Va. 24084

[**] Term: 14 Years

[21] Appl. No.: 850,662

[22] Filed: Nov. 11, 1977

[51] Int. Cl. D31-00

[52] U.S. Cl. D99/29; D99/32

[58] Field of Search D99/29, 32; 232/17, 232/19, 24, 27, 34, 39

[56] References Cited

U.S. PATENT DOCUMENTS

3,243,104	3/1966	Fillion	232/39
3,891,139	6/1975	Redling	232/17

OTHER PUBLICATIONS

1974 Ward Fall & Winter Catalog, P1005, Mailbox 15, lower right side of page.

Primary Examiner—James M. Gandy
Attorney, Agent, or Firm—J. Gibson Semmes

[57] CLAIM

The ornamental design for a mailbox, as shown.

DESCRIPTION

FIG. 1 is a perspective view of the mailbox showing my new design;

FIG. 2 is an enlarged front elevational view thereof;

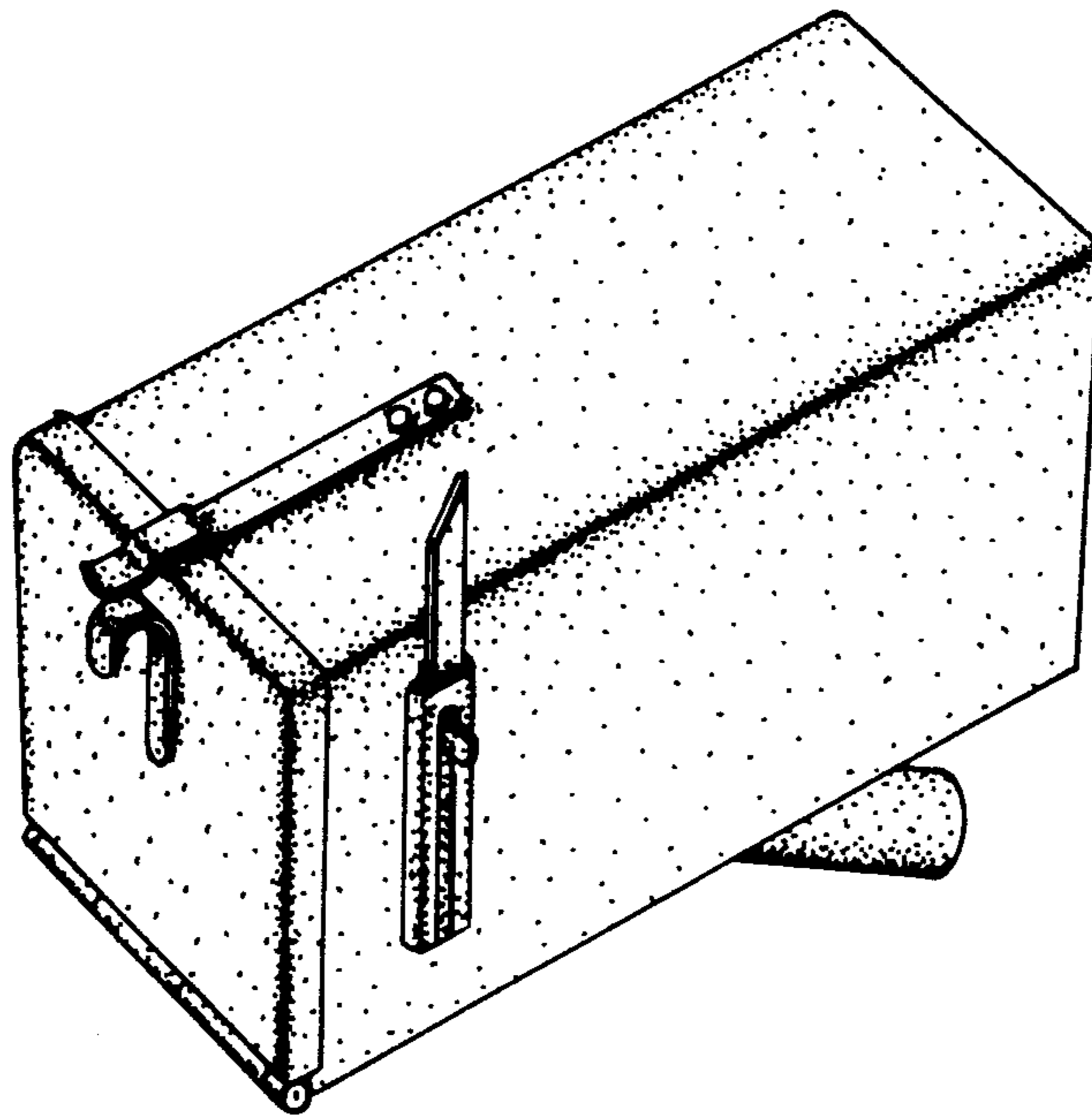
FIG. 3 is an enlarged rear elevational view thereof;

FIG. 4 is an enlarged side elevational view thereof;

FIG. 5 is an enlarged bottom plan view thereof;

FIG. 6 is an enlarged side elevational view thereof opposite to that shown in FIG. 4; and

FIG. 7 is an enlarged top plan view thereof.



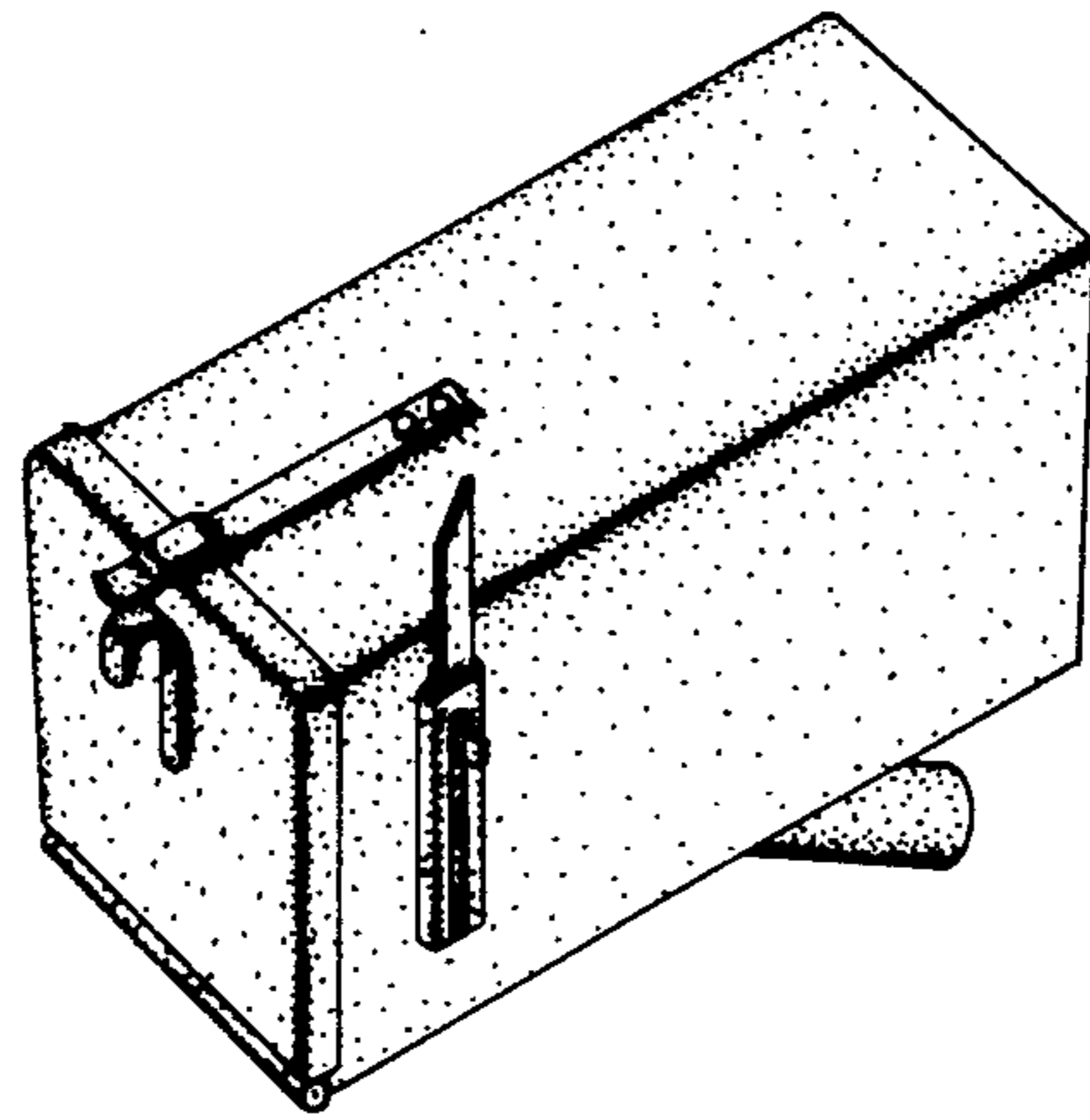


FIG. 1

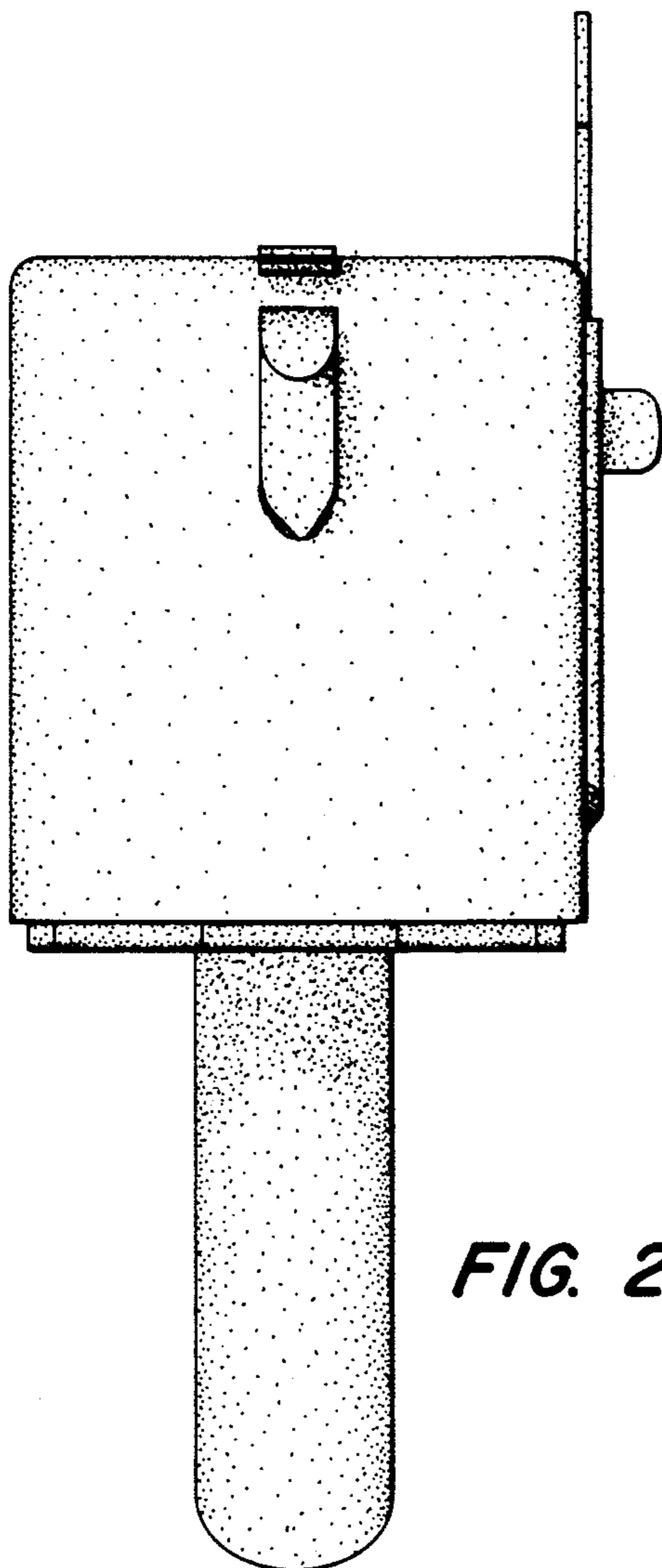


FIG. 2

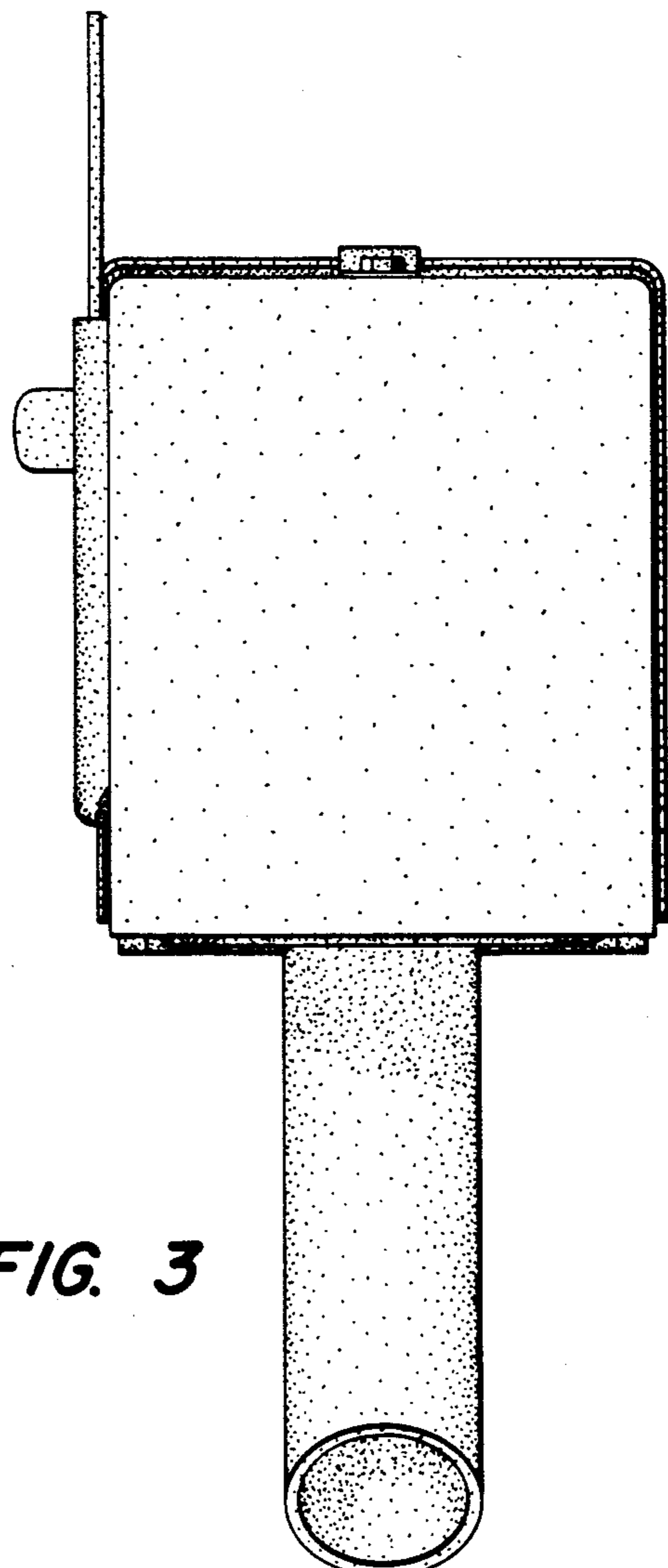


FIG. 3

FIG. 4

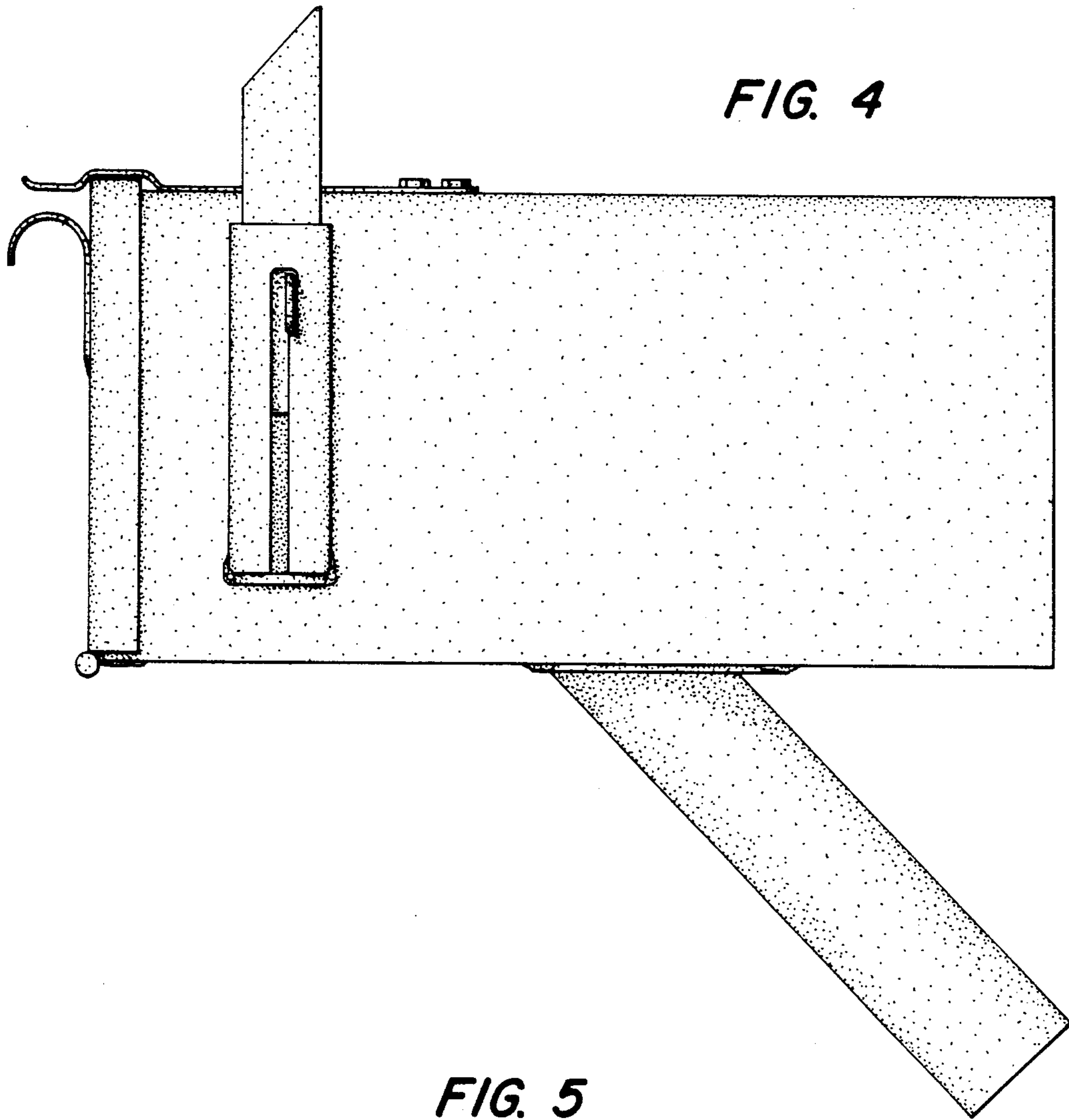


FIG. 5

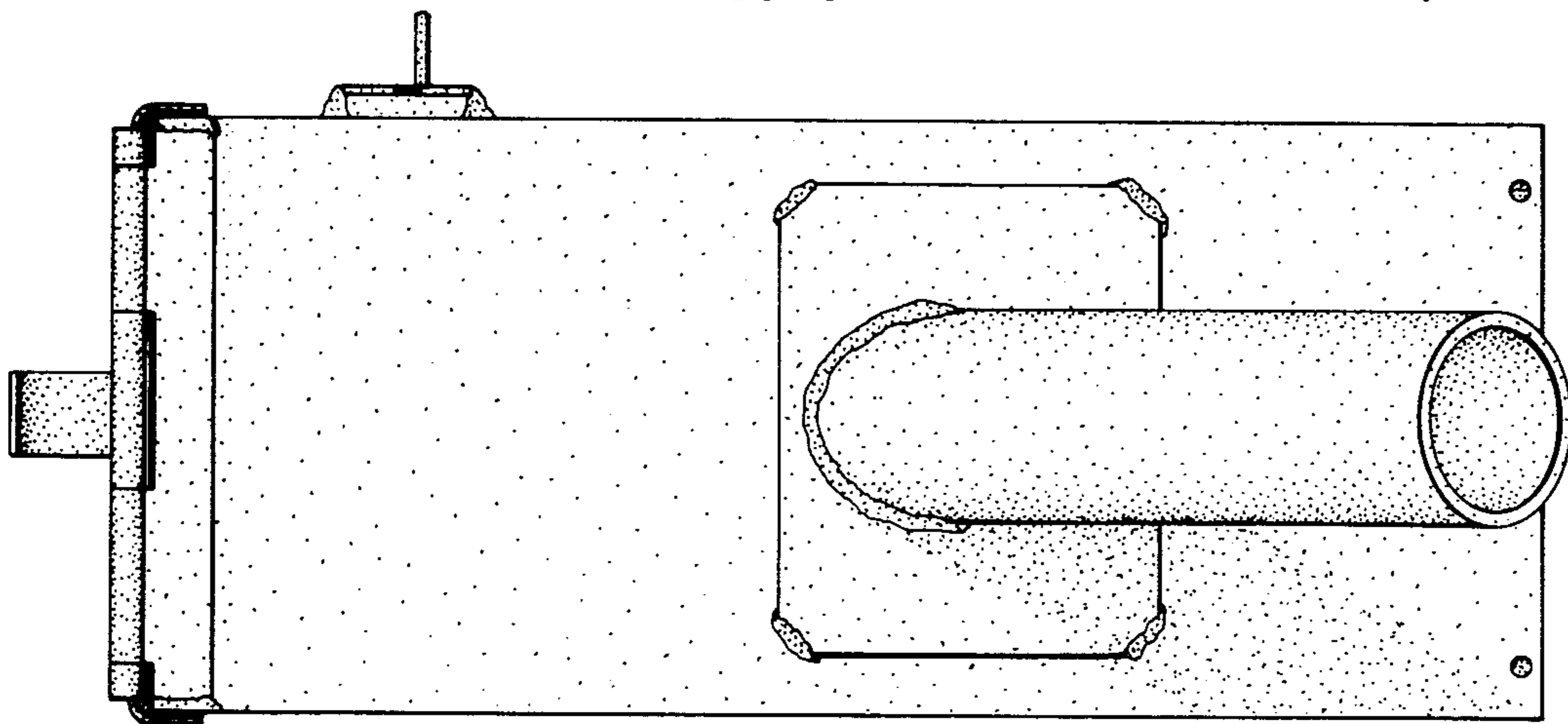


FIG. 6

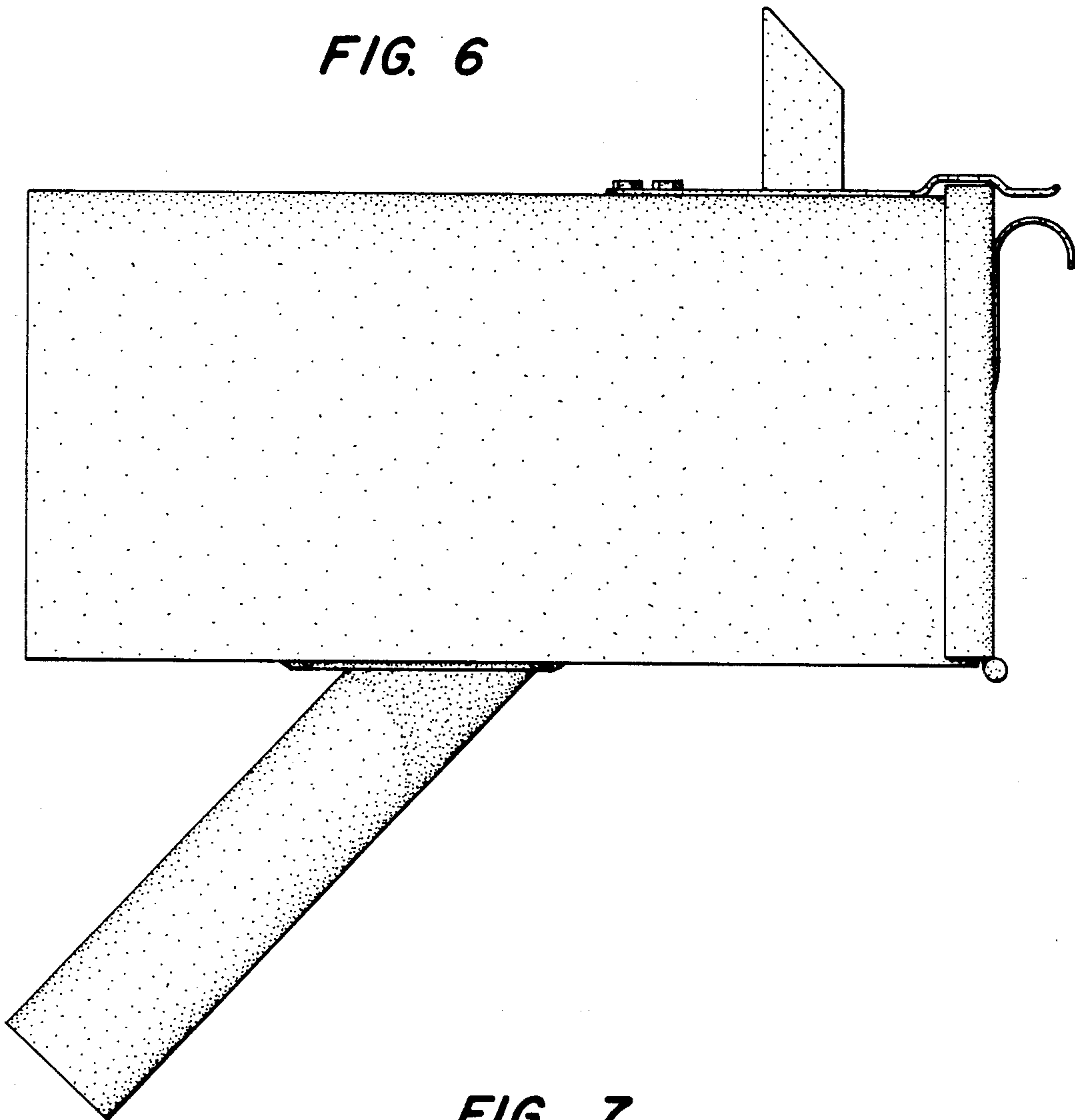


FIG. 7

