

[54] DOUBLE-SIDED ILLUMINATED MIRROR

[75] Inventor: Patrick M. Tomaro, Maplewood, N.J.

[73] Assignee: Conair Corporation, Edison, N.J.

[**] Term: 14 Years

[21] Appl. No.: 907,833

[22] Filed: May 19, 1978

[51] Int. Cl. D28-03

[52] U.S. Cl. D28/67; D6/237

[58] Field of Search D6/232-246; D11/132, 138, 140; 40/152, 152.1, 154; D28/65-68, 69; 350/296, 298, 299; 362/135, 136, 137, 140, 141

[56] References Cited

U.S. PATENT DOCUMENTS

D. 226,248	1/1973	Krusche	D28/67
D. 228,422	9/1973	Stahl	D6/238
D. 229,364	11/1973	Juhlin	D6/242

OTHER PUBLICATIONS

New York Times, Magazine section, 11-7-1976, p. 81, Mirror at inset, top right corner.

Primary Examiner—Joel Stearman
Assistant Examiner—Charles A. Rademaker
Attorney, Agent, or Firm—Haynes N. Johnson

[57] CLAIM

The ornamental design for a double-sided illuminated mirror, substantially as shown and described.

DESCRIPTION

FIG. 1 is a front perspective view of a double-sided illuminated mirror showing my new design with the mirror angled slightly relative to the housing and in a pivoted position;

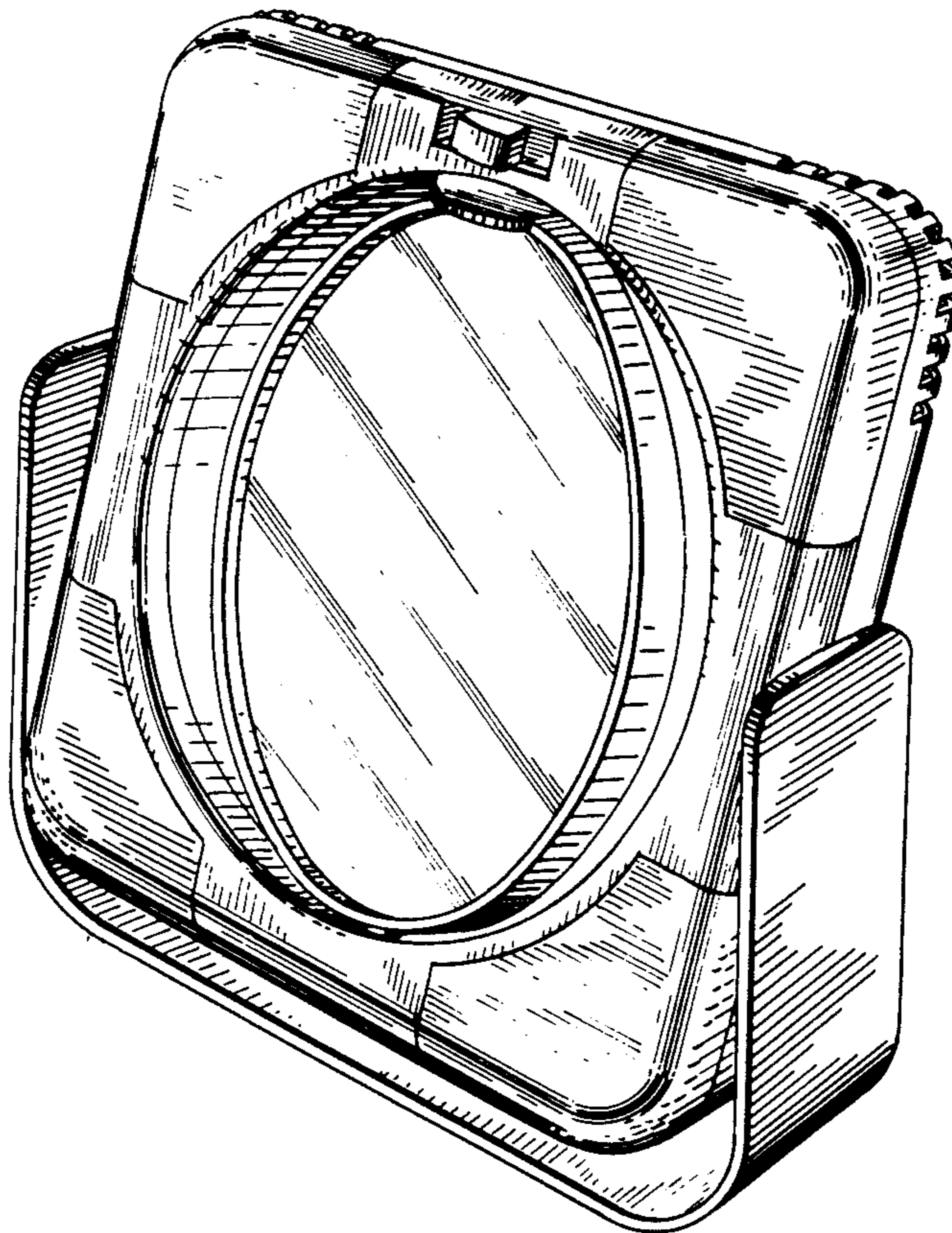
FIG. 2 is a front elevational view thereof with the mirror and housing in a vertical position;

FIG. 3 is a left side elevational view thereof, the side opposite being a mirror image;

FIG. 4 is a top plan view thereof;

FIG. 5 is a rear elevational view thereof; and,

FIG. 6 is a bottom plan view thereof of the stand member.



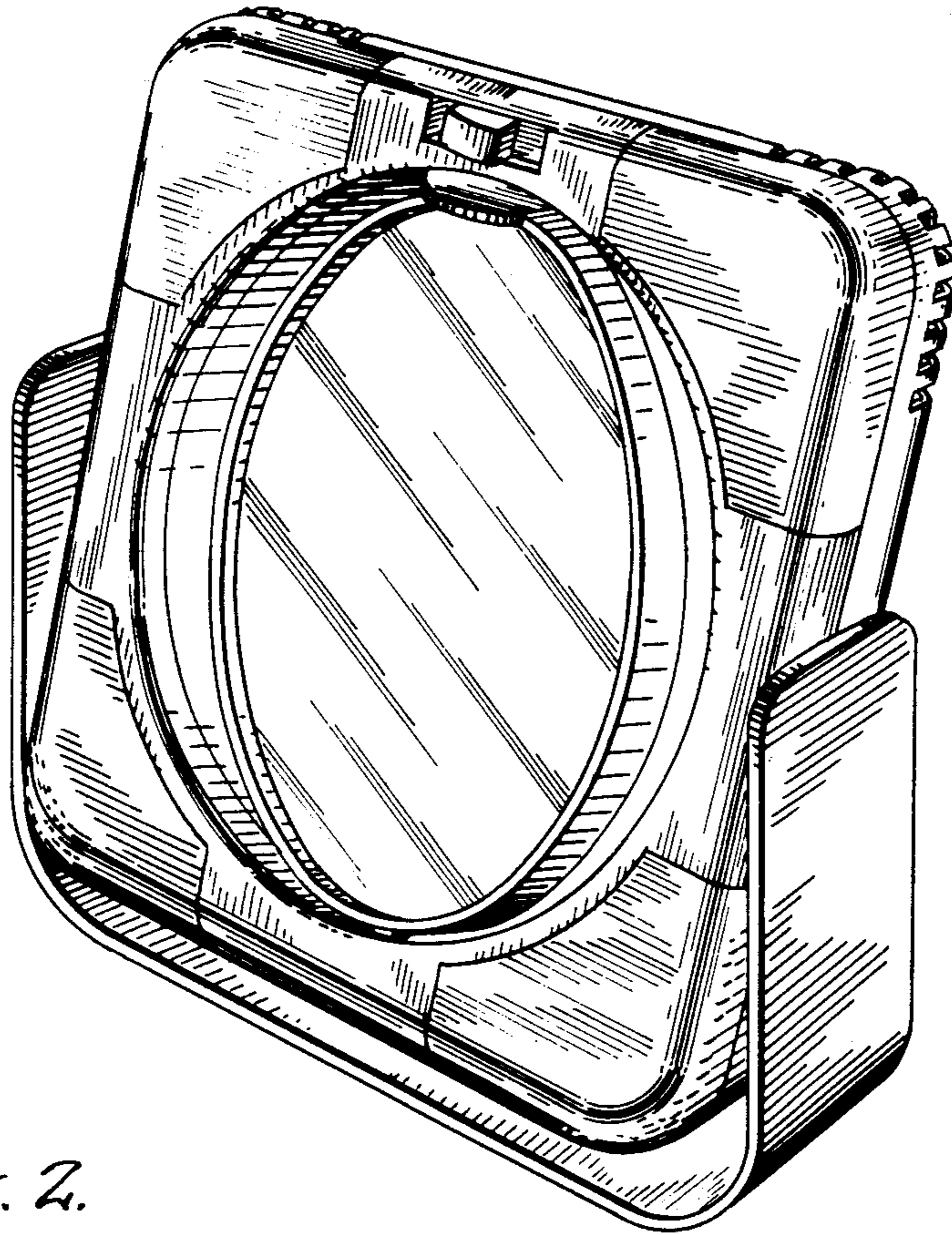


Fig. 1.

Fig. 2.

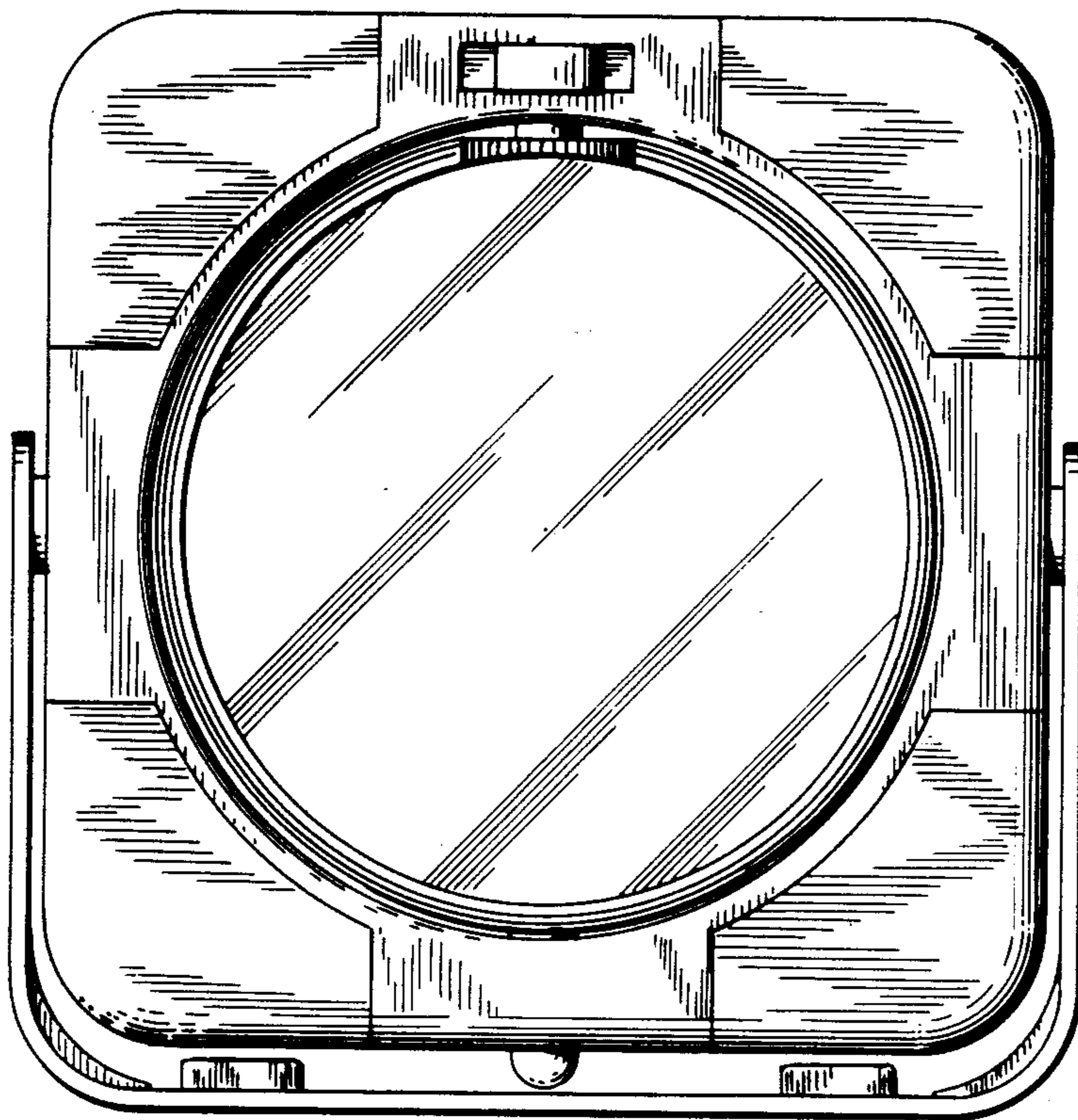


Fig. 3.

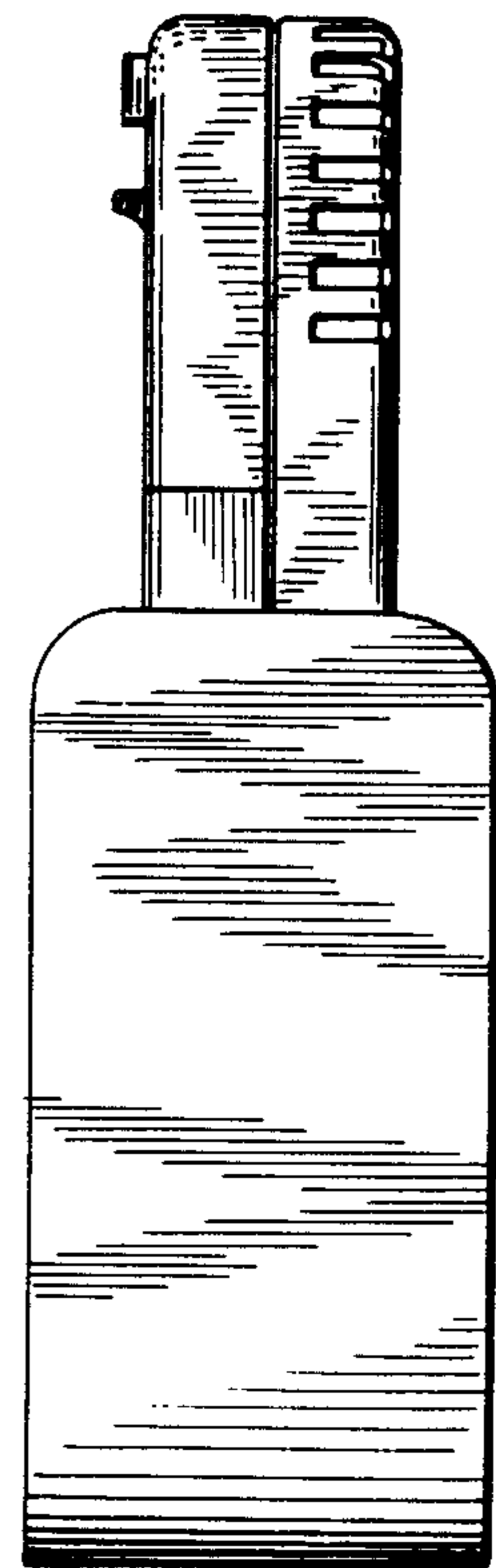


Fig. 4.

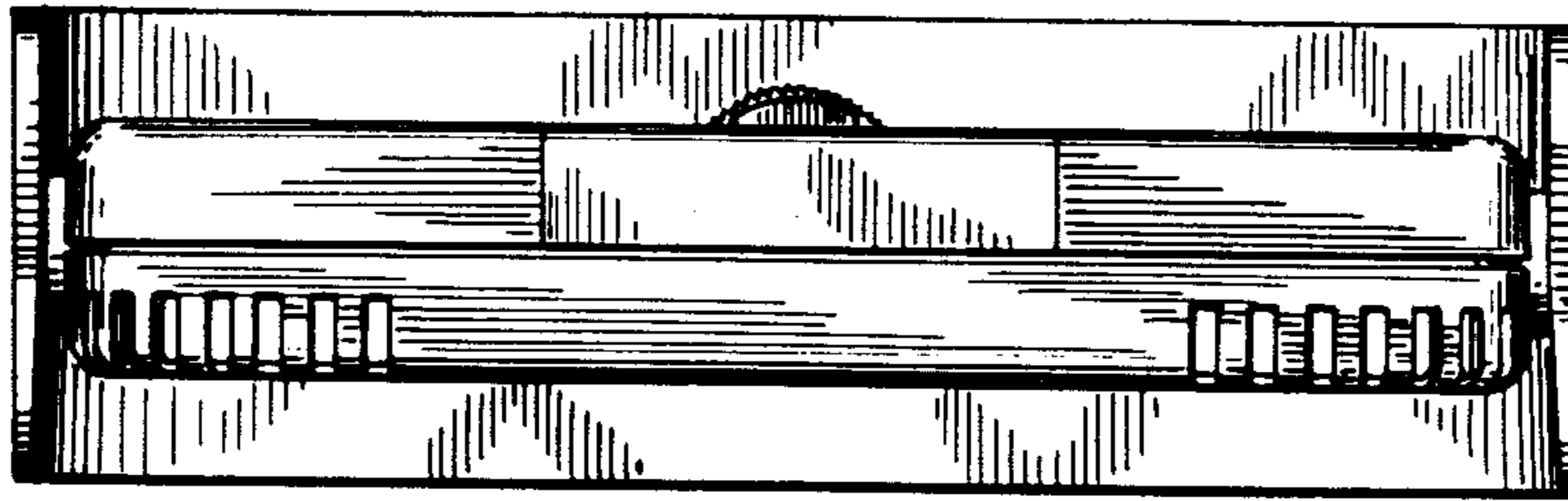


Fig. 5.

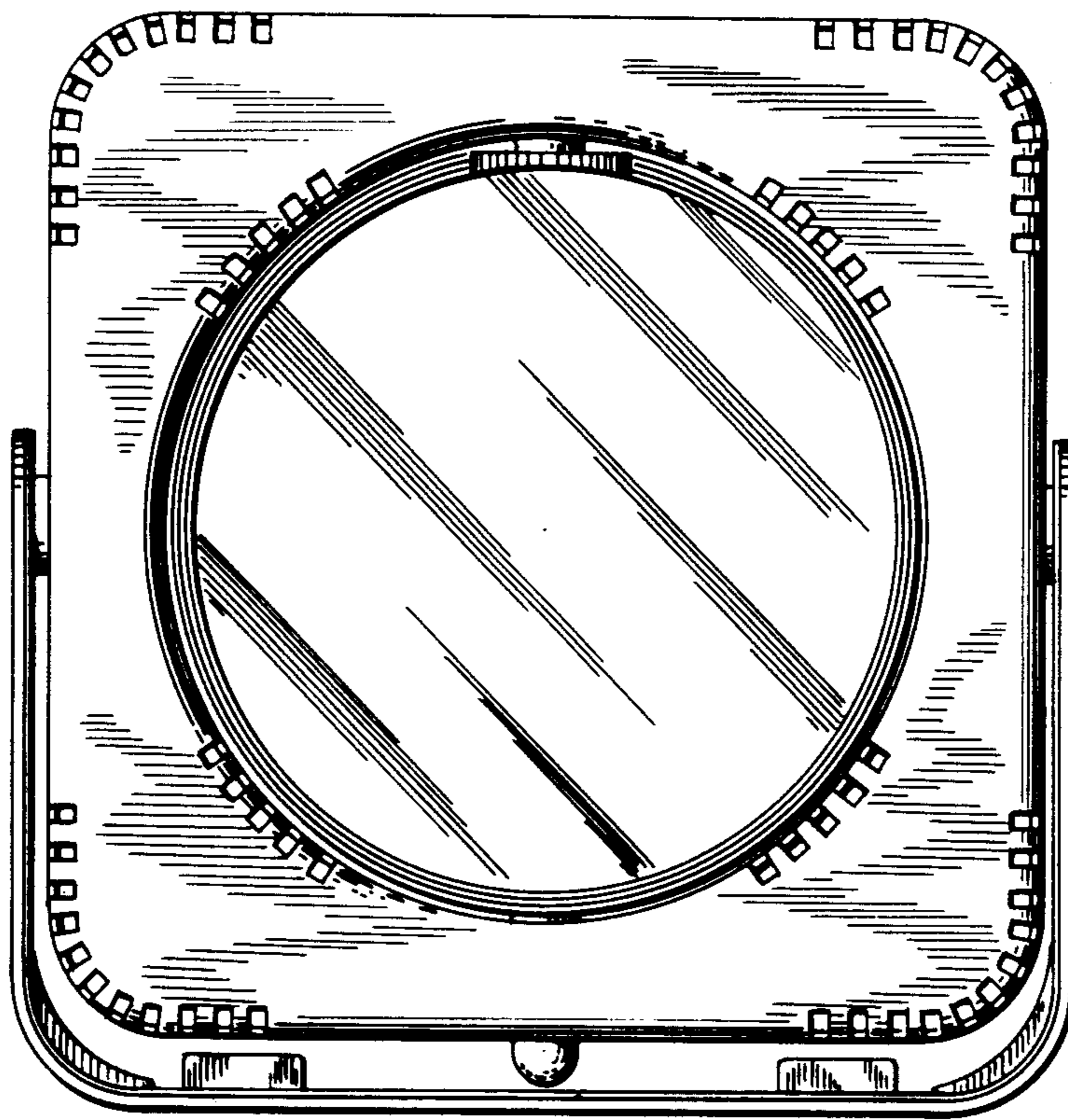


Fig. 6.

