

[54] SAW BUCK BRACKET

[75] Inventor: William J. Hildebrandt, West Simsbury, Conn.

[73] Assignee: The Stanley Works, New Britain, Conn.

[**] Term: 14 Years

[21] Appl. No.: 859,285

[22] Filed: Dec. 12, 1977

[51] Int. Cl. D8-99

[52] U.S. Cl. D25/68

[58] Field of Search D25/68; D8/349, 354; 248/164, 431, 432; 182/154, 155, 225, 226; 269/296; 403/116; 16/191; 211/200

[56] References Cited

U.S. PATENT DOCUMENTS

2,706,829 4/1955 Charnin 16/191
3,298,537 1/1967 DiMarco 211/200

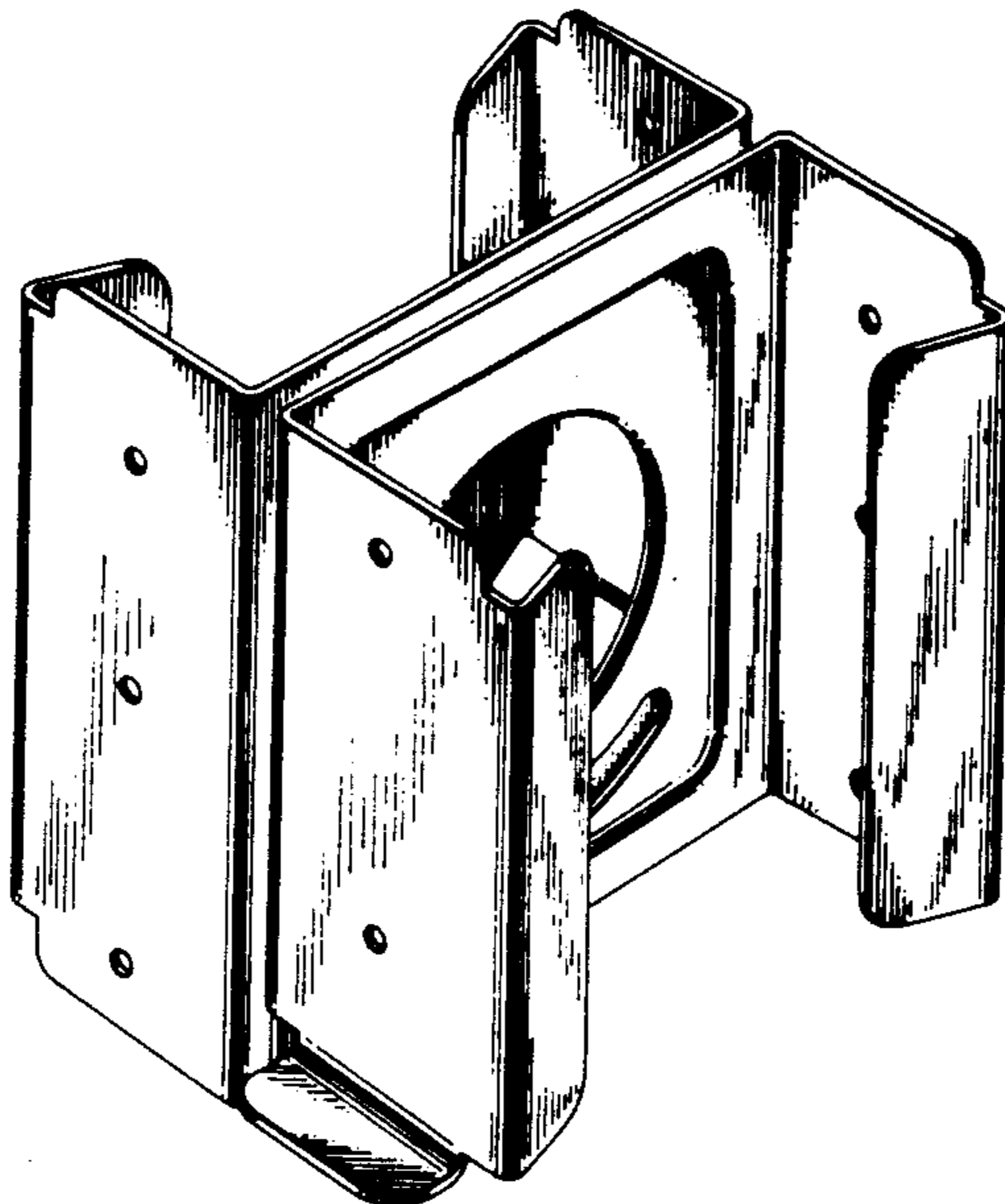
Primary Examiner—James M. Gandy
Attorney, Agent, or Firm—Peter L. Costas

[57] CLAIM

The ornamental design for a saw buck bracket, as shown.

DESCRIPTION

FIG. 1 is a perspective view of a saw buck bracket embodying my new design;
FIG. 2 is a side elevational view thereof;
FIG. 3 is a front elevational view thereof;
FIG. 4 is a rear elevational view thereof;
FIG. 5 is a top plan view thereof;
FIG. 6 is a bottom view thereof; and
FIG. 7 is a front elevational view thereof with the rear component rotated 90° in the counterclockwise direction.



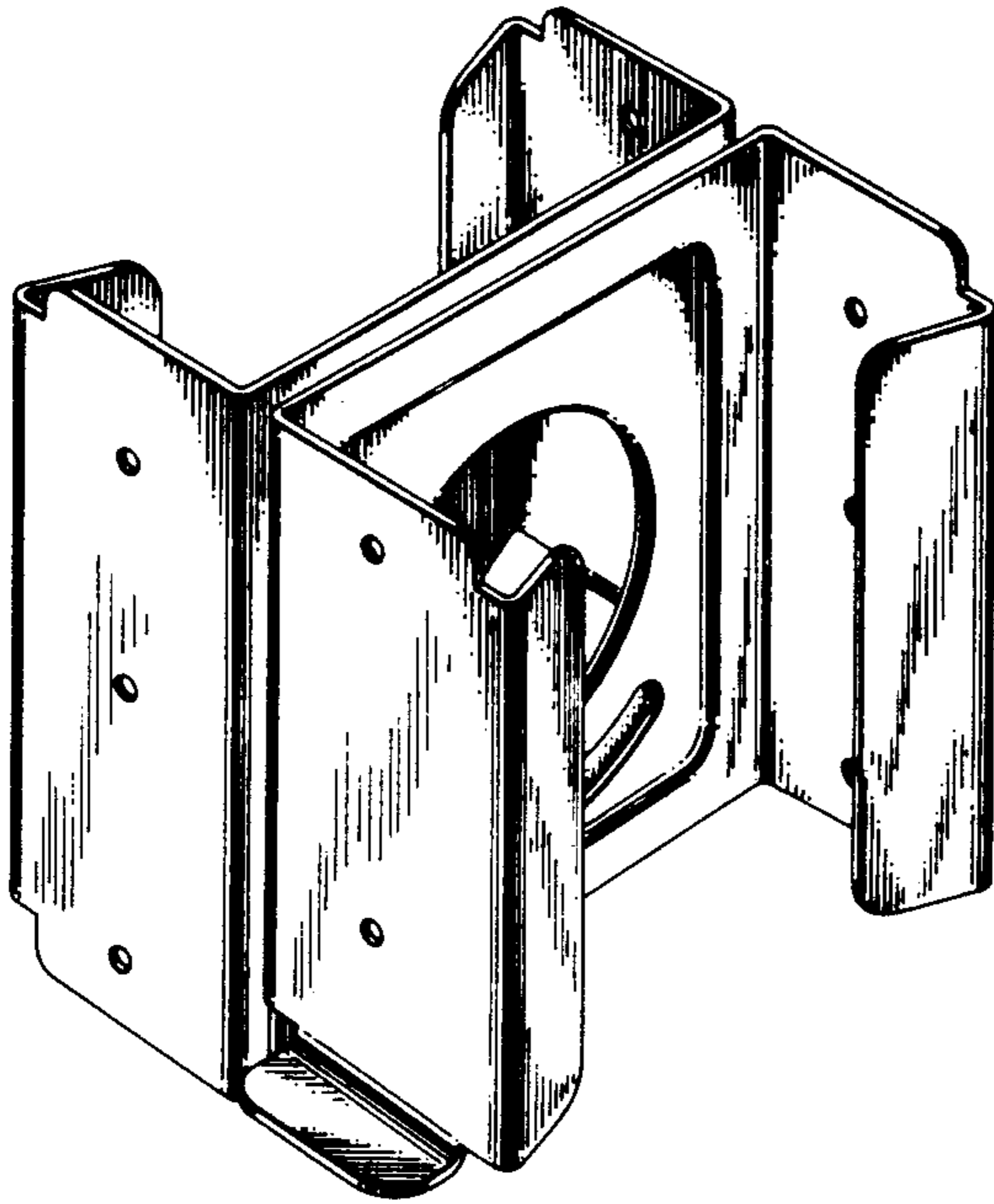


FIG. 1

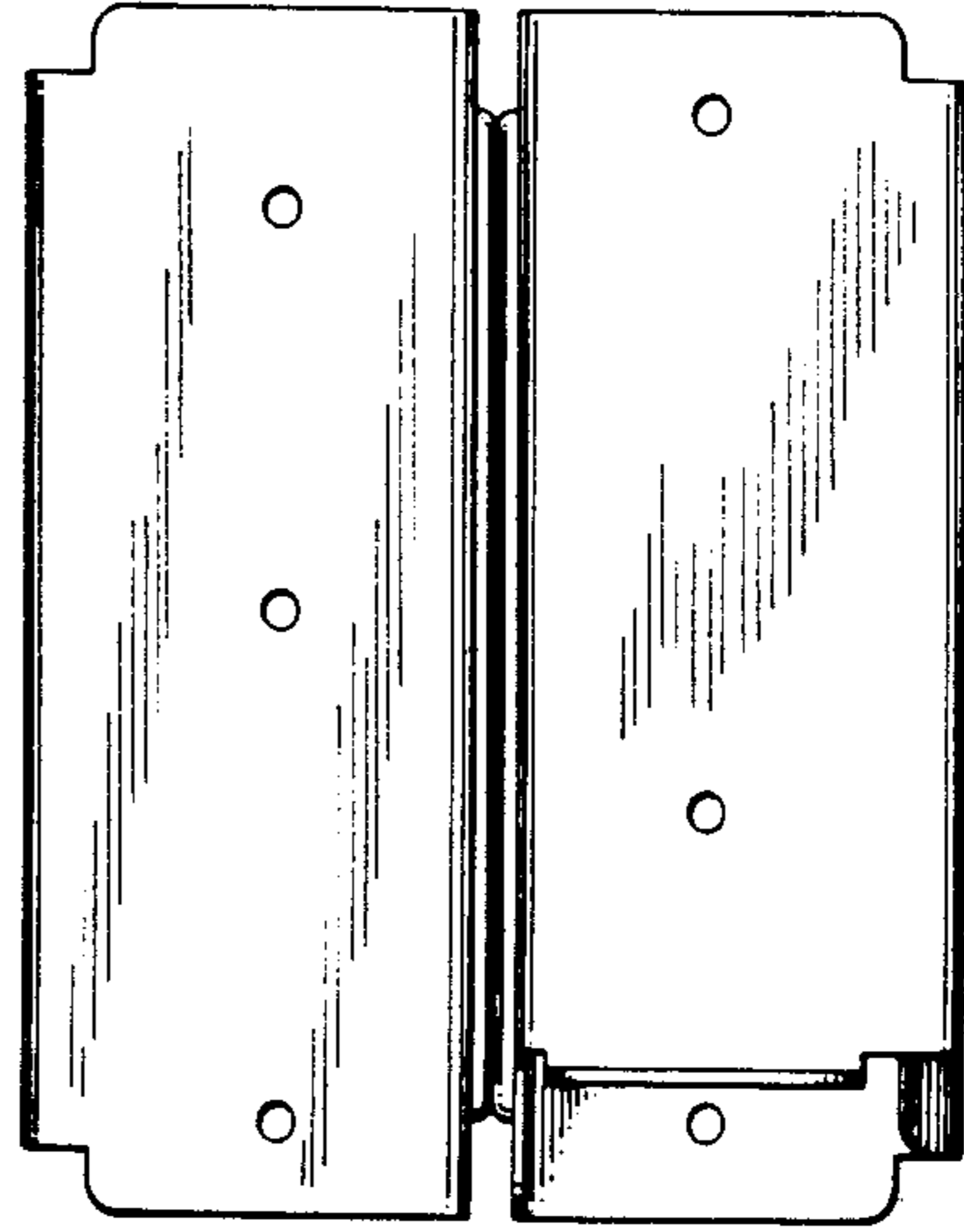


FIG. 2

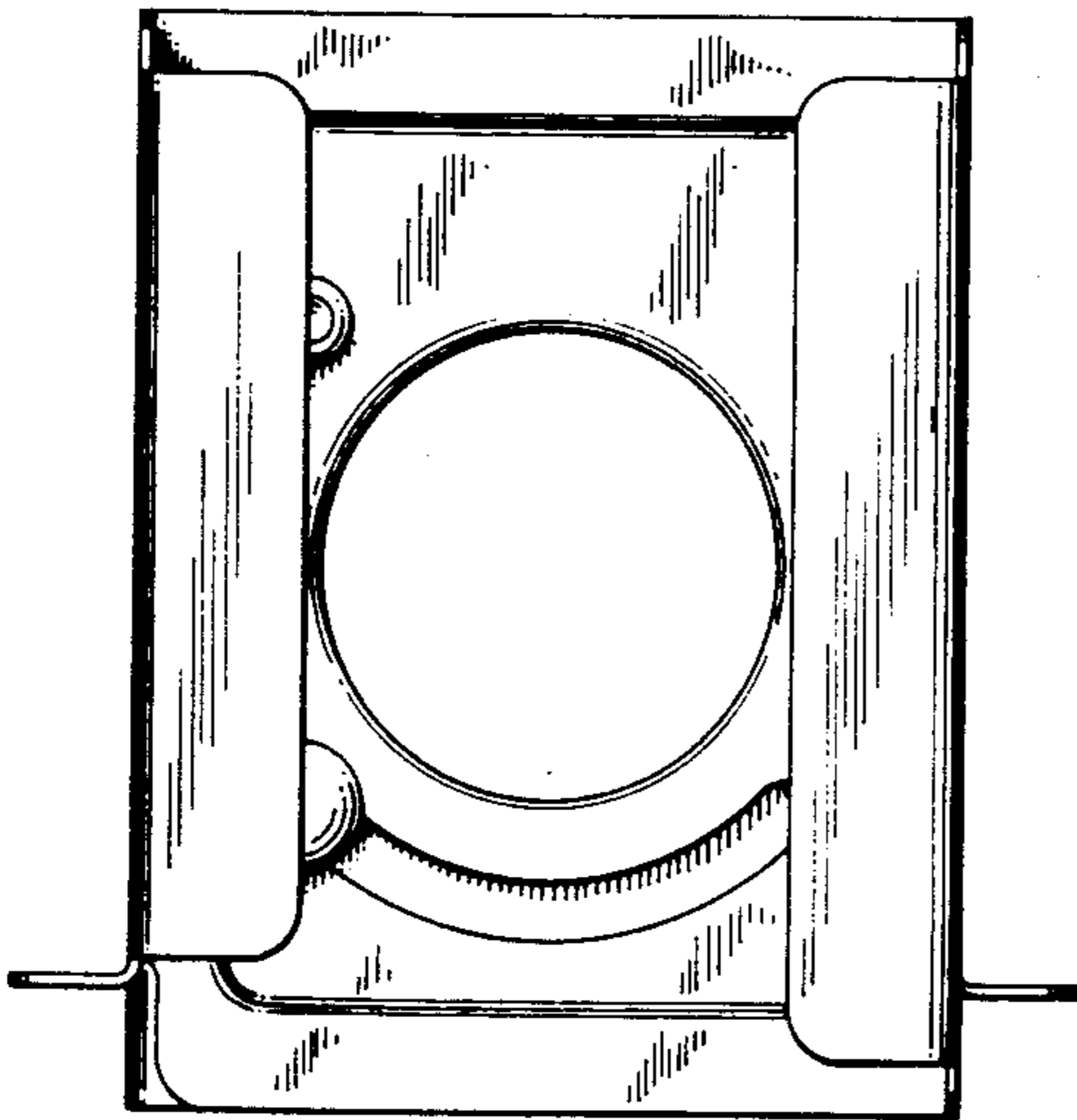


FIG. 3

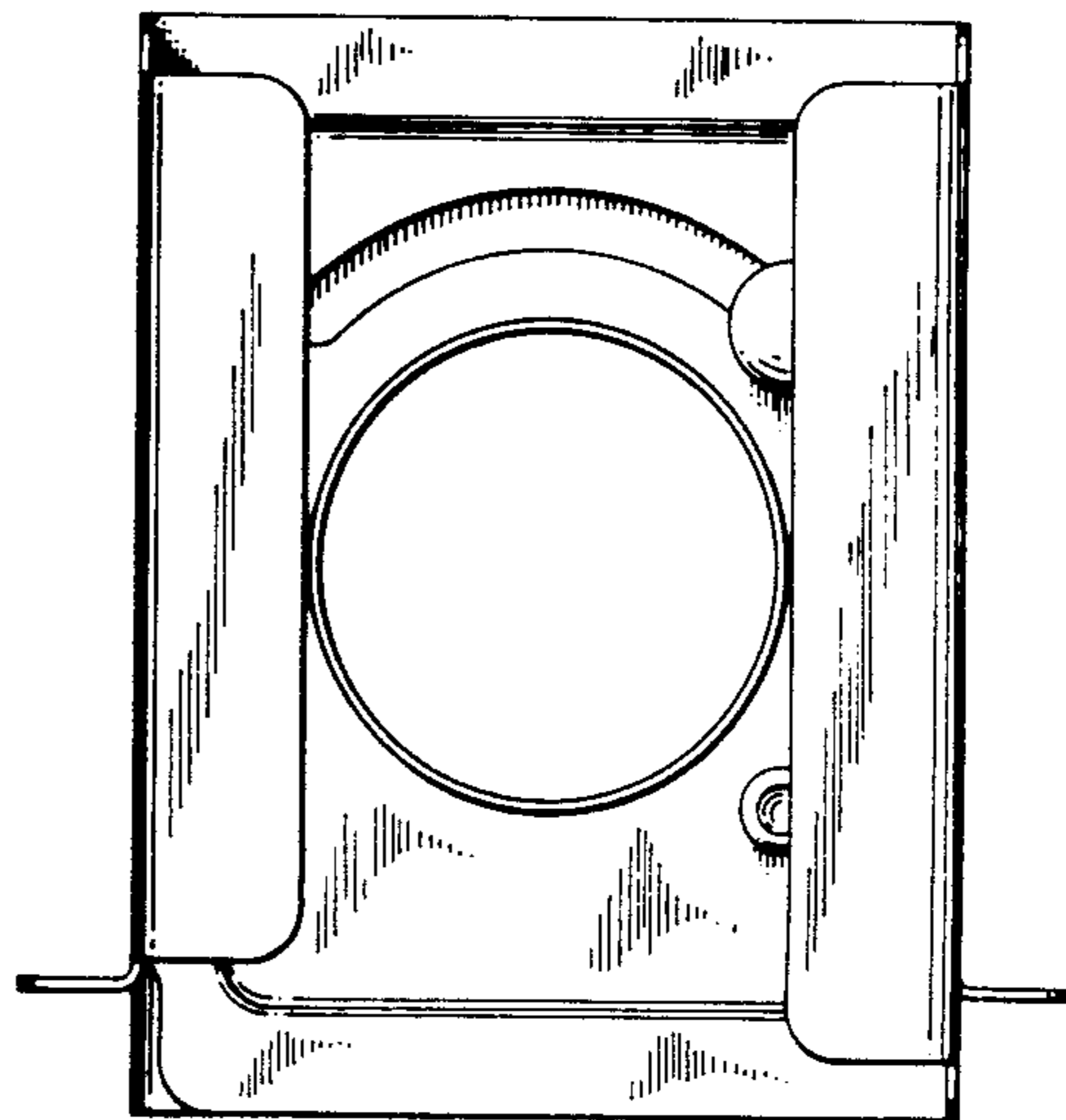


FIG. 4

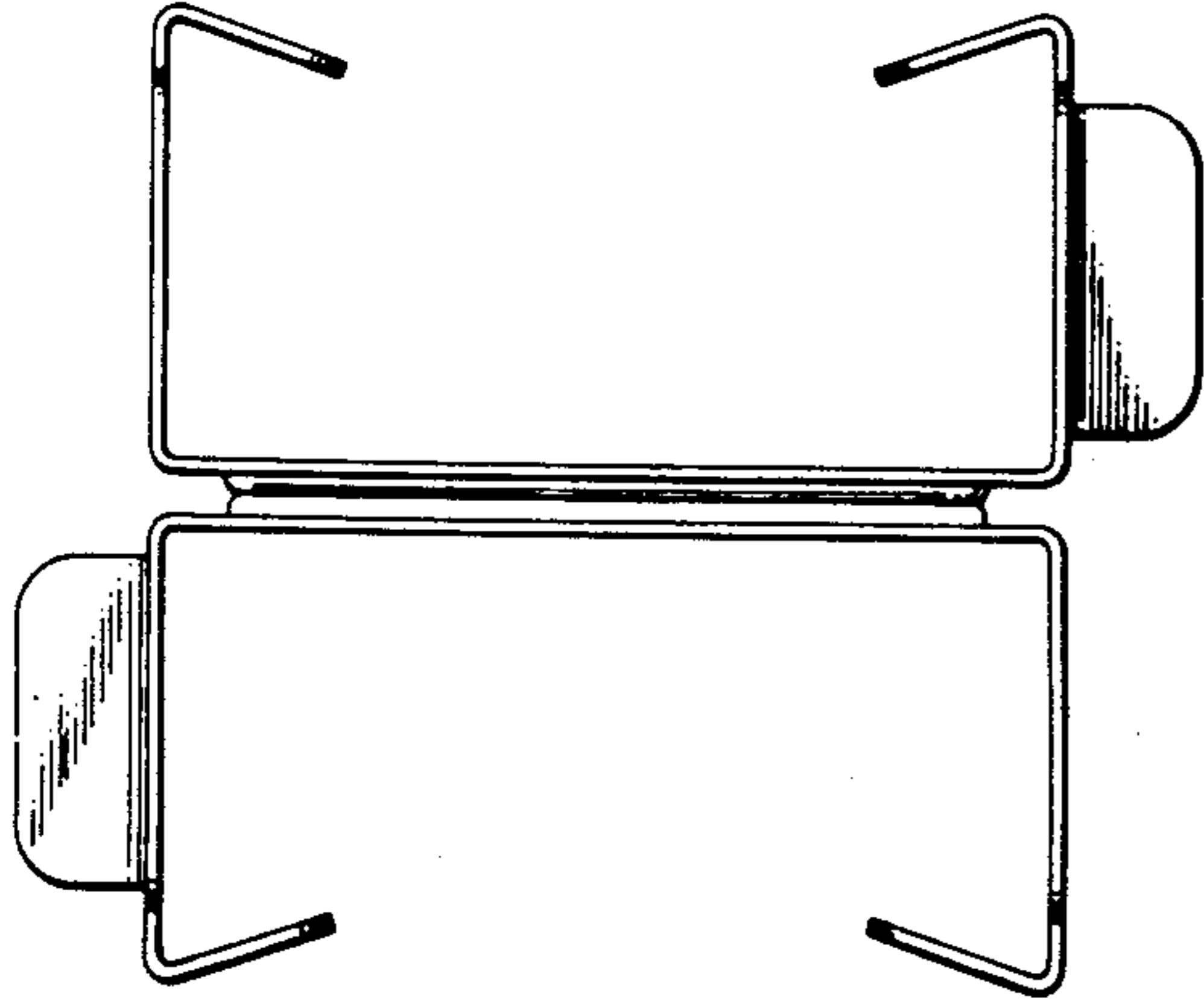


FIG. 5

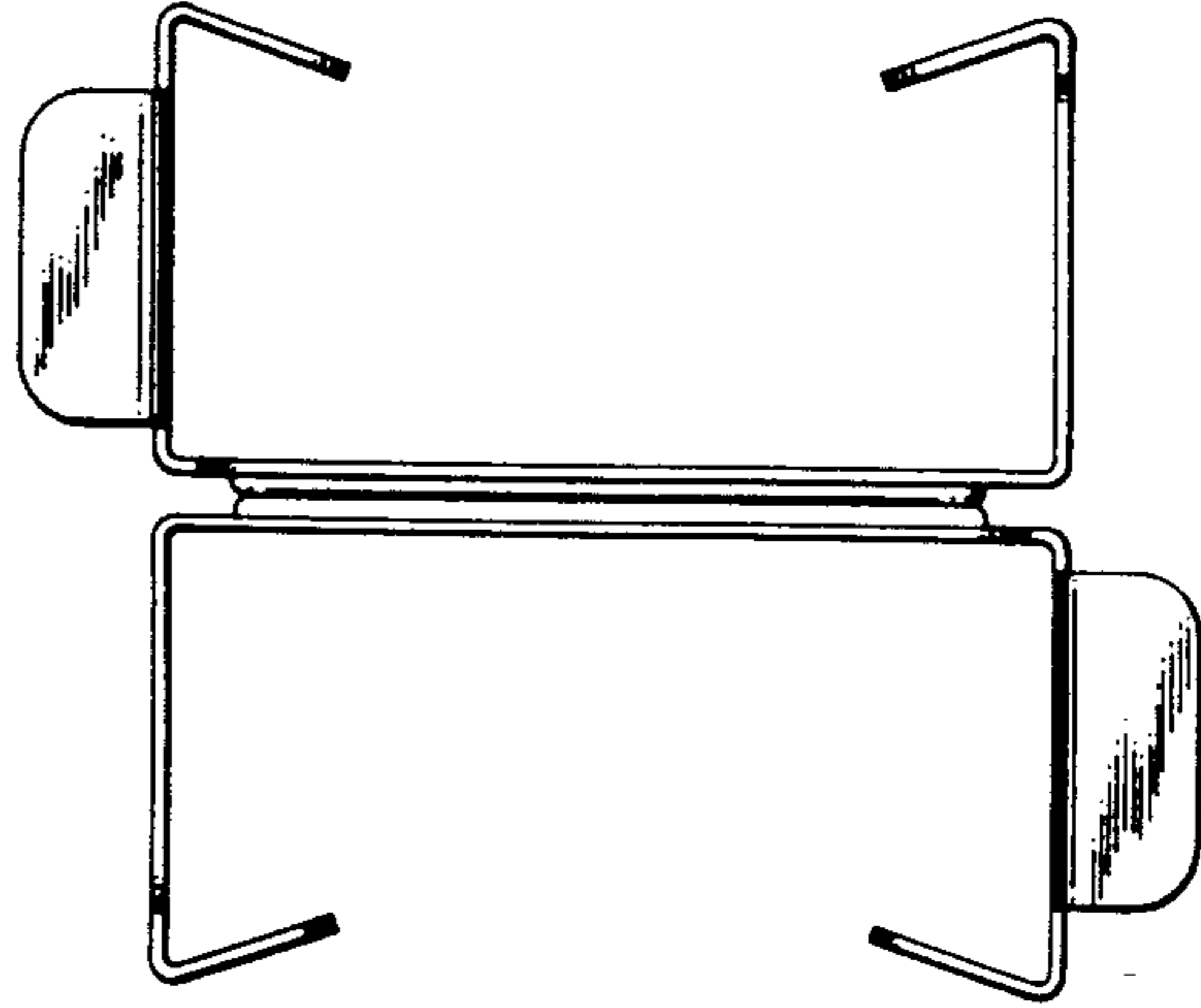


FIG. 6

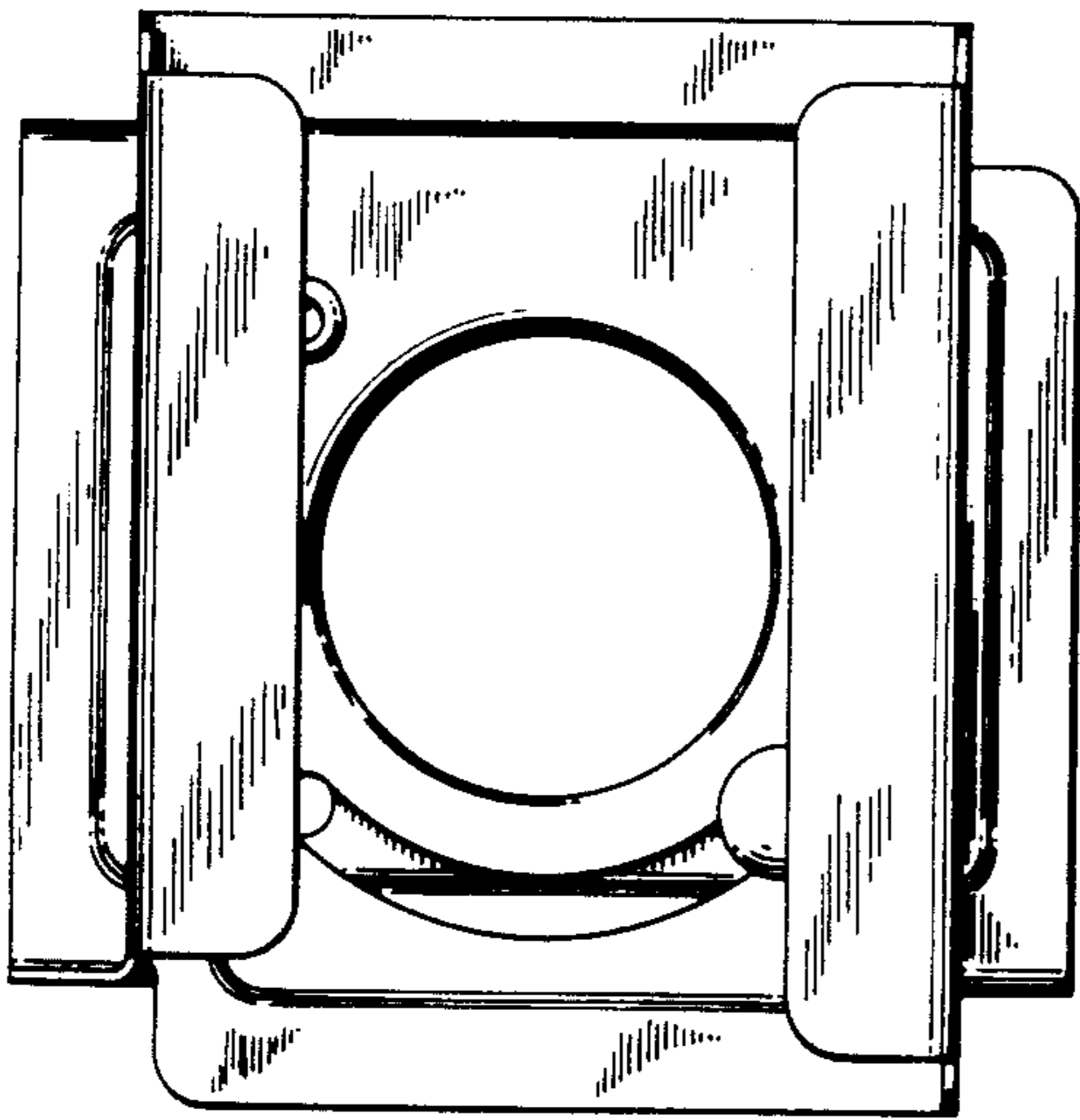


FIG. 7