

[54] FILTER FOR CLEANING FLUID OR THE LIKE

[75] Inventor: Robert G. Smith, St. Louis County, Mo.

[73] Assignee: Kleen-Rite, Inc., St. Louis, Mo.

[**] Term: 14 Years

[21] Appl. No.: 852,767

[22] Filed: Nov. 18, 1977

[51] Int. Cl. D23-01

[52] U.S. Cl. D23/4

[58] Field of Search D23/1-4;
210/236, 253, 255

[56] **References Cited**

U.S. PATENT DOCUMENTS

D. 187,577	3/1960	Smith	D23/3
D. 236,829	9/1975	Berry, Jr. et al.	D23/3
D. 238,875	2/1976	Berry, Jr. et al.	D23/3
487,765	12/1892	Ormerod	211/71

533,940	2/1895	Wiseloge	210/236 X
840,696	1/1907	Heberling	211/71 X
1,732,829	10/1929	Boardman	211/71 X
2,843,267	7/1958	Anderson	210/236
3,028,968	4/1962	Anderson et al.	210/236

Primary Examiner—James R. Largen
Attorney, Agent, or Firm—Richard J. Sher

[57] **CLAIM**

The ornamental design for filter for cleaning fluid or the like, substantially as shown and described.

DESCRIPTION

FIG. 1 is a perspective view of the filter for cleaning fluid or the like showing my new design.

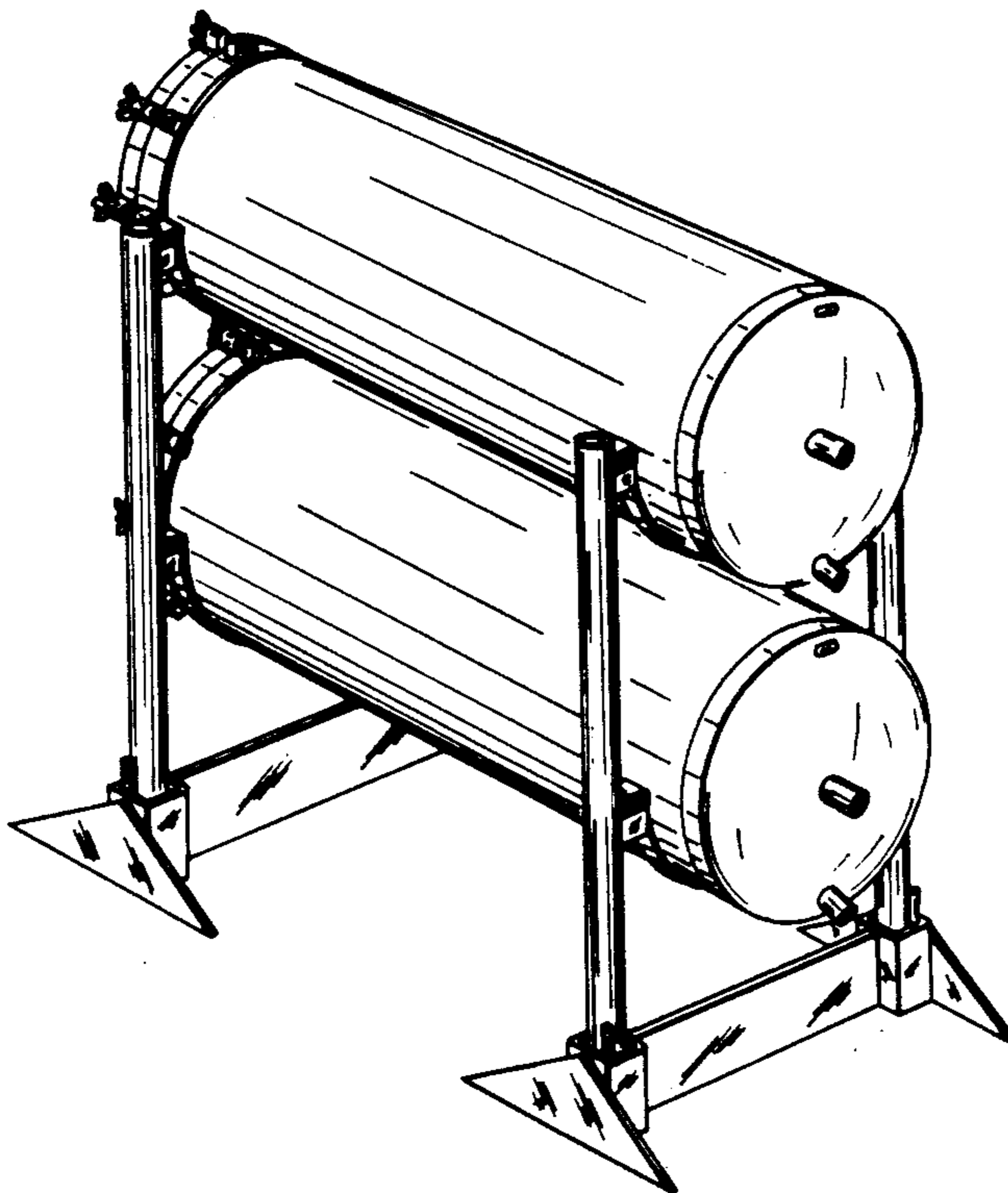
FIG. 2 is a side elevational view thereof, the opposite side being a mirror image of the side shown;

FIG. 3 is a front elevational view thereof, a portion of the upper tank being broken away for convenience of illustration;

FIG. 4 is a rear elevational view thereof;

FIG. 5 is a bottom plan view thereof; and

FIG. 6 is a top plan view thereof.



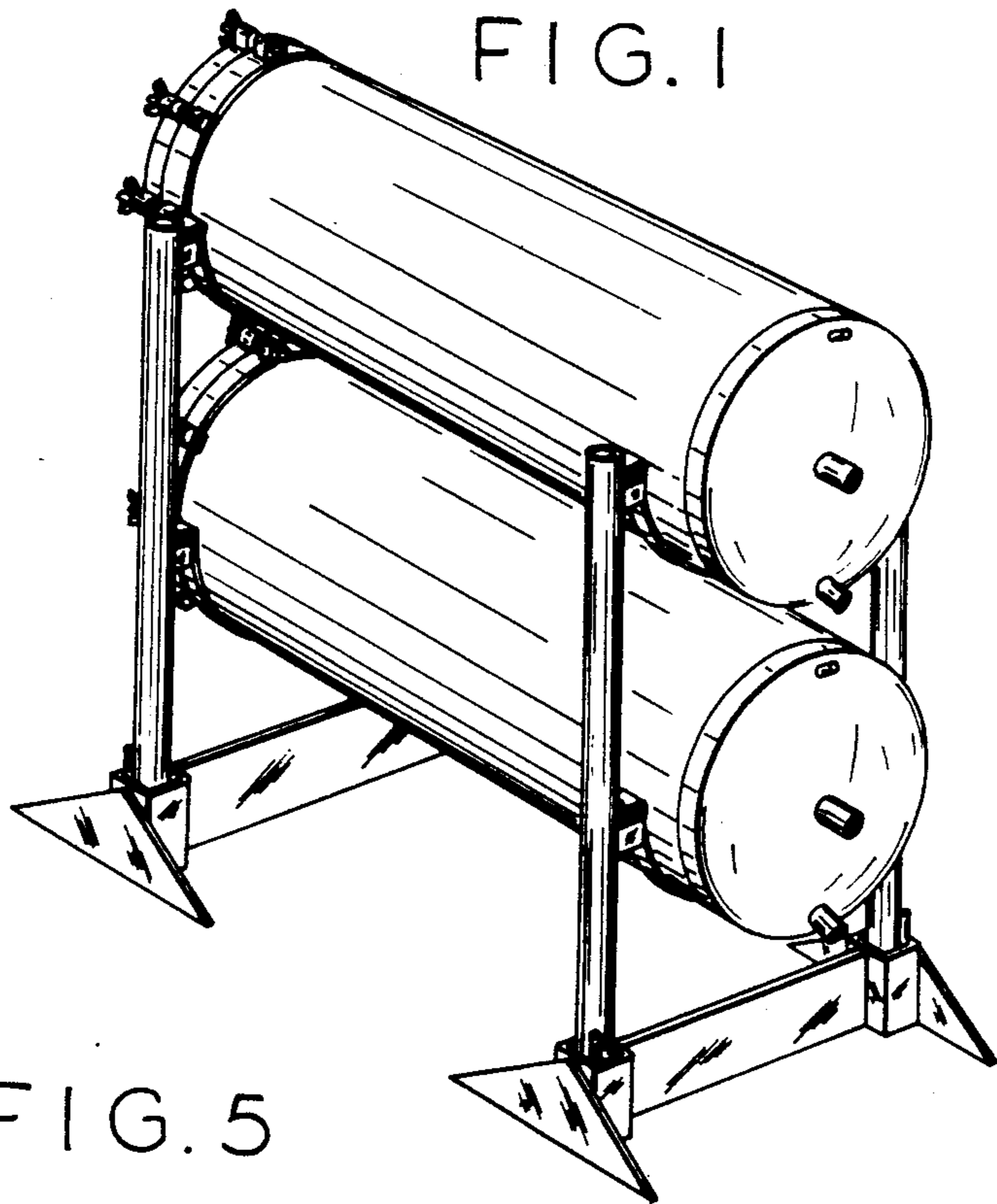


FIG. 5

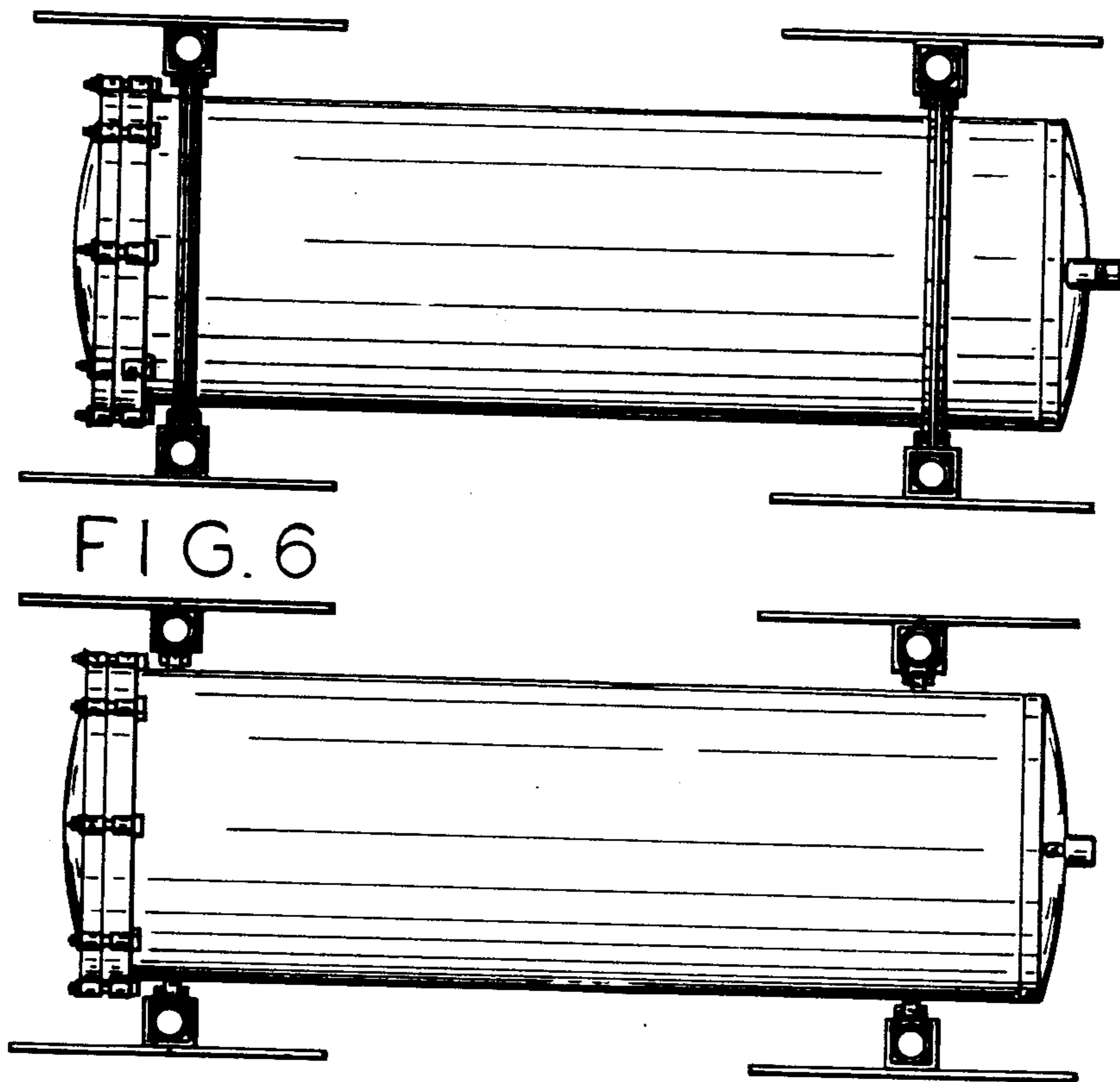
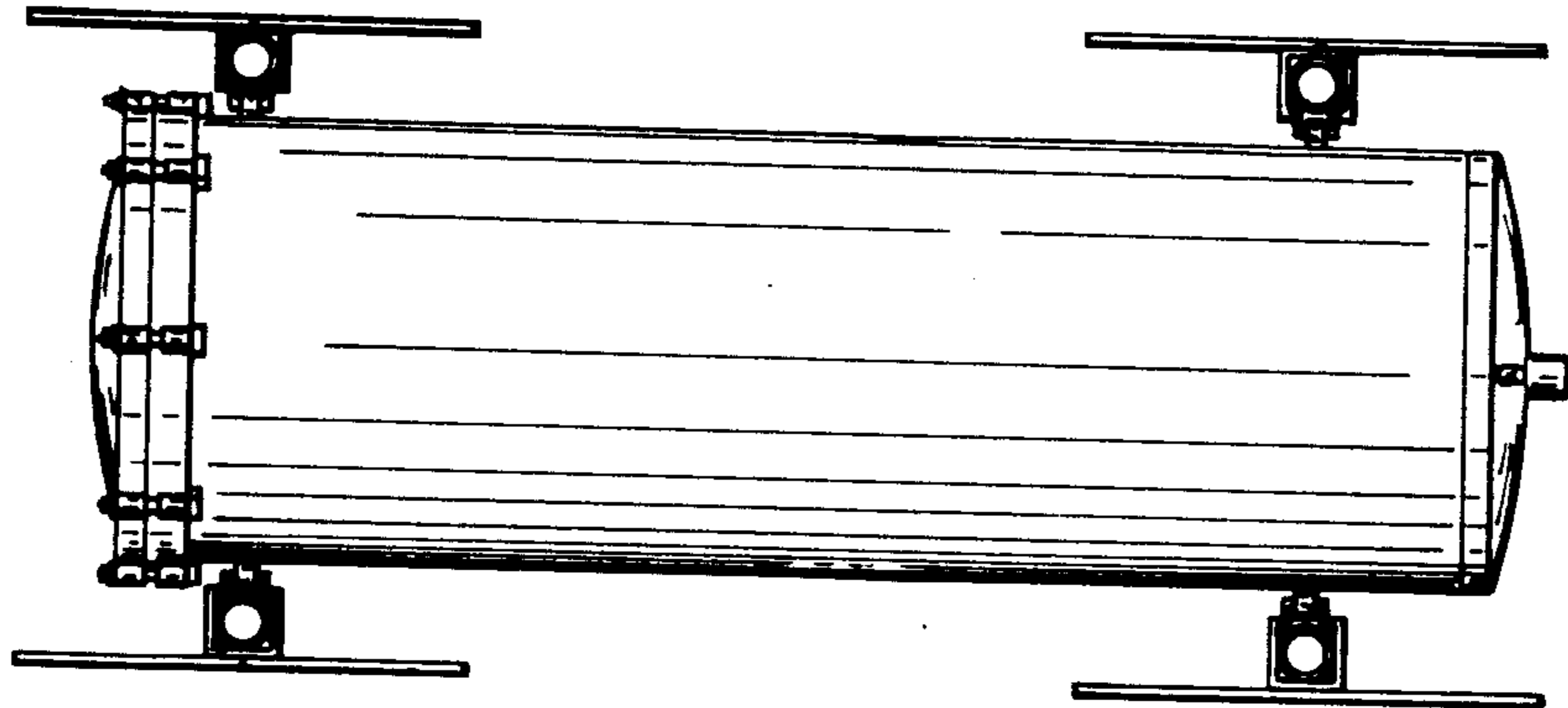


FIG. 6



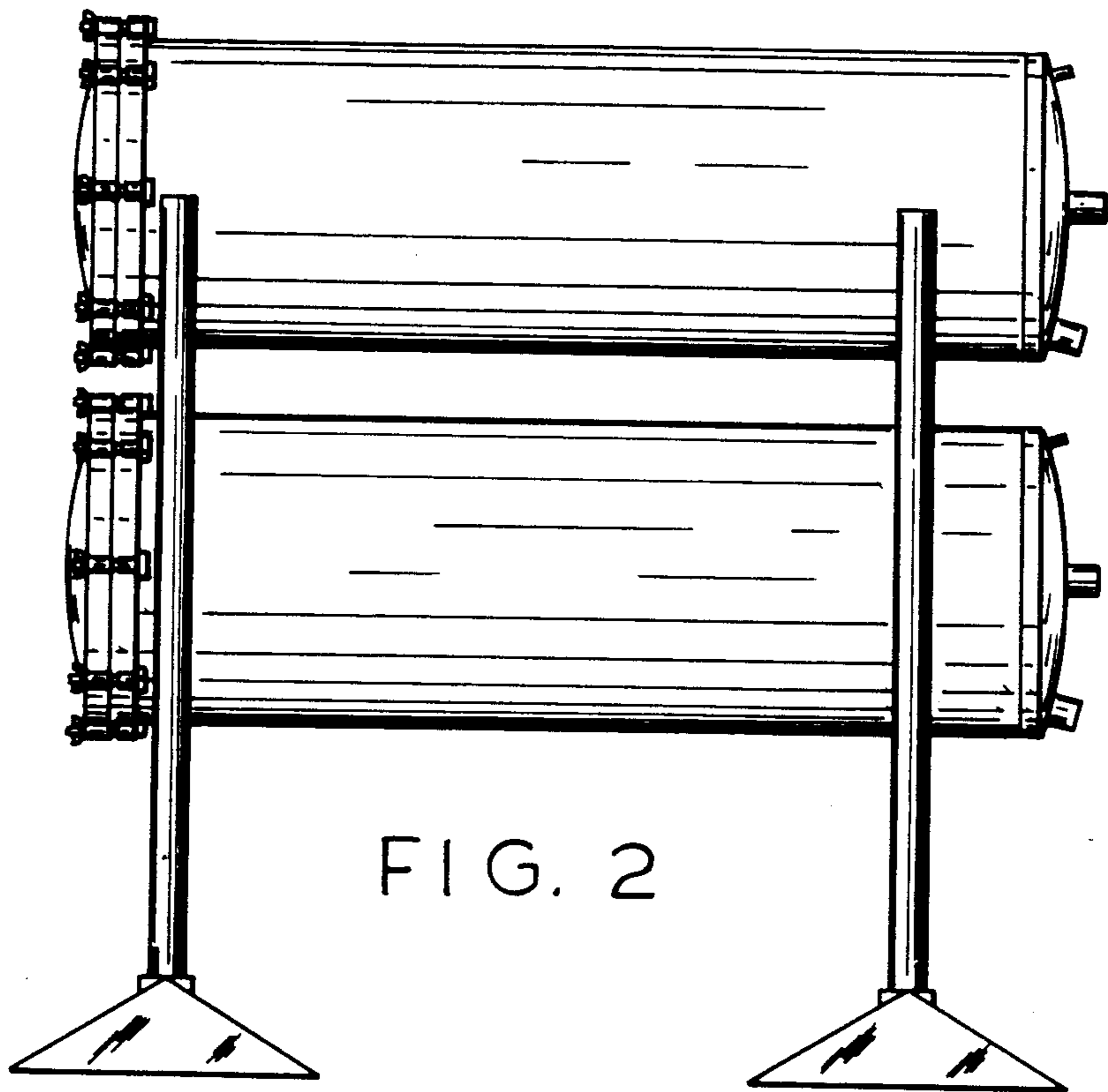


FIG. 2

FIG. 3

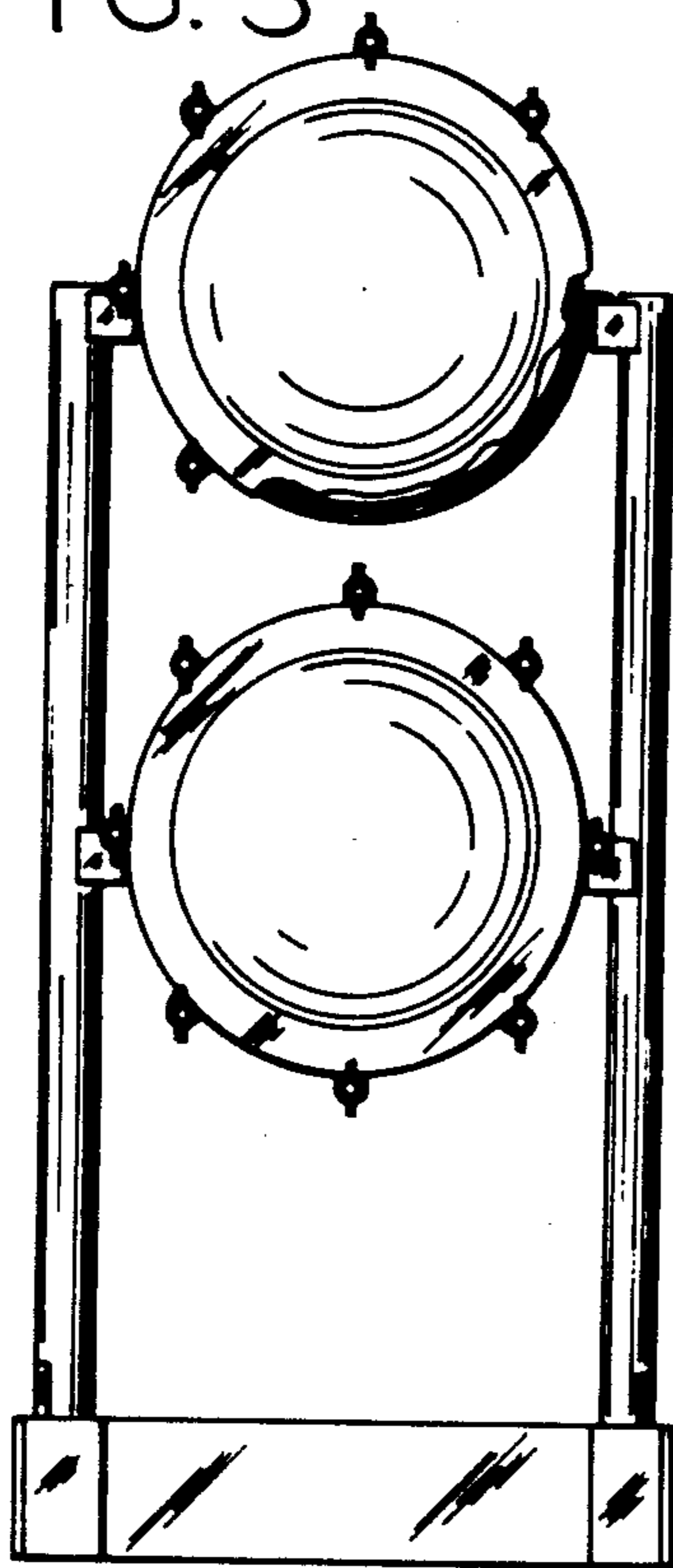


FIG. 4

