

[54] KITE

[76] Inventor: David Infante, 6002 W. Encanto Blvd., Phoenix, Ariz. 85035

[\*\*] Term: 14 Years

[21] Appl. No.: 794,964

[22] Filed: May 9, 1977

[51] Int. Cl. .... D21-01

[52] U.S. Cl. .... D21/88

[58] Field of Search ..... D34/15 AF, 15 HR; 244/153 R, 153 A, 154, 155 R, DIG. 1

[56] References Cited

U.S. PATENT DOCUMENTS

D. 165,071	11/1951	Hayman	.....	D34/15 AF
D. 171,327	1/1954	Gould	.....	D34/15 AF
2,524,500	10/1950	Whitehurst	.....	244/153 R

OTHER PUBLICATIONS

Toys, 2-1976, p. 128, U.S.S. Enterprize.

Primary Examiner—Joel Stearman

Assistant Examiner—Charles A. Rademaker

Attorney, Agent, or Firm—Herbert E. Haynes, Jr.

[57] CLAIM

The ornamental design for a kite, as shown.

DESCRIPTION

FIG. 1 is a perspective view of a kite showing my new design.

FIG. 2 is a left side elevational view thereof shown on a slightly enlarged scale.

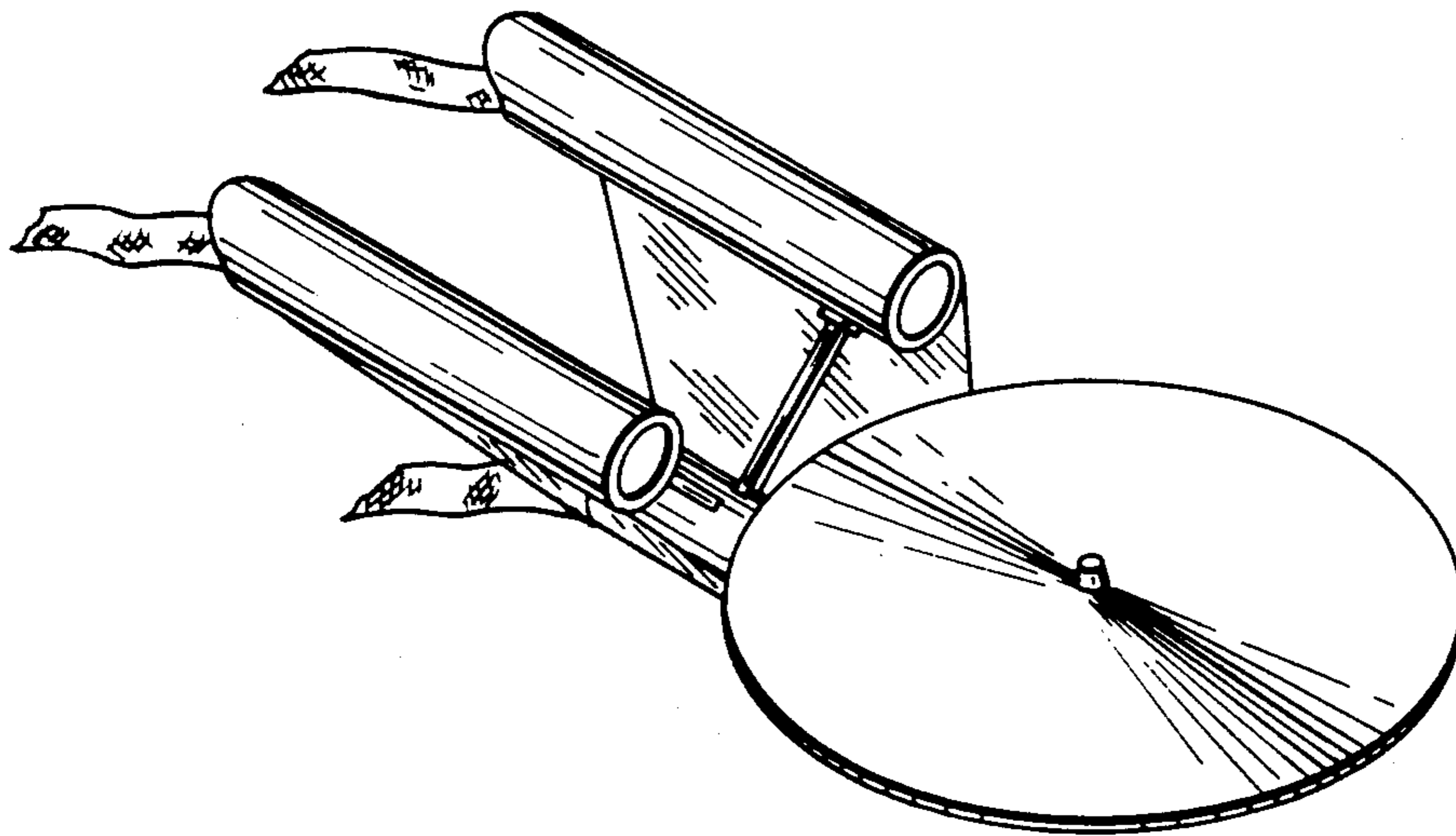
FIG. 3 is a right side elevational view thereof.

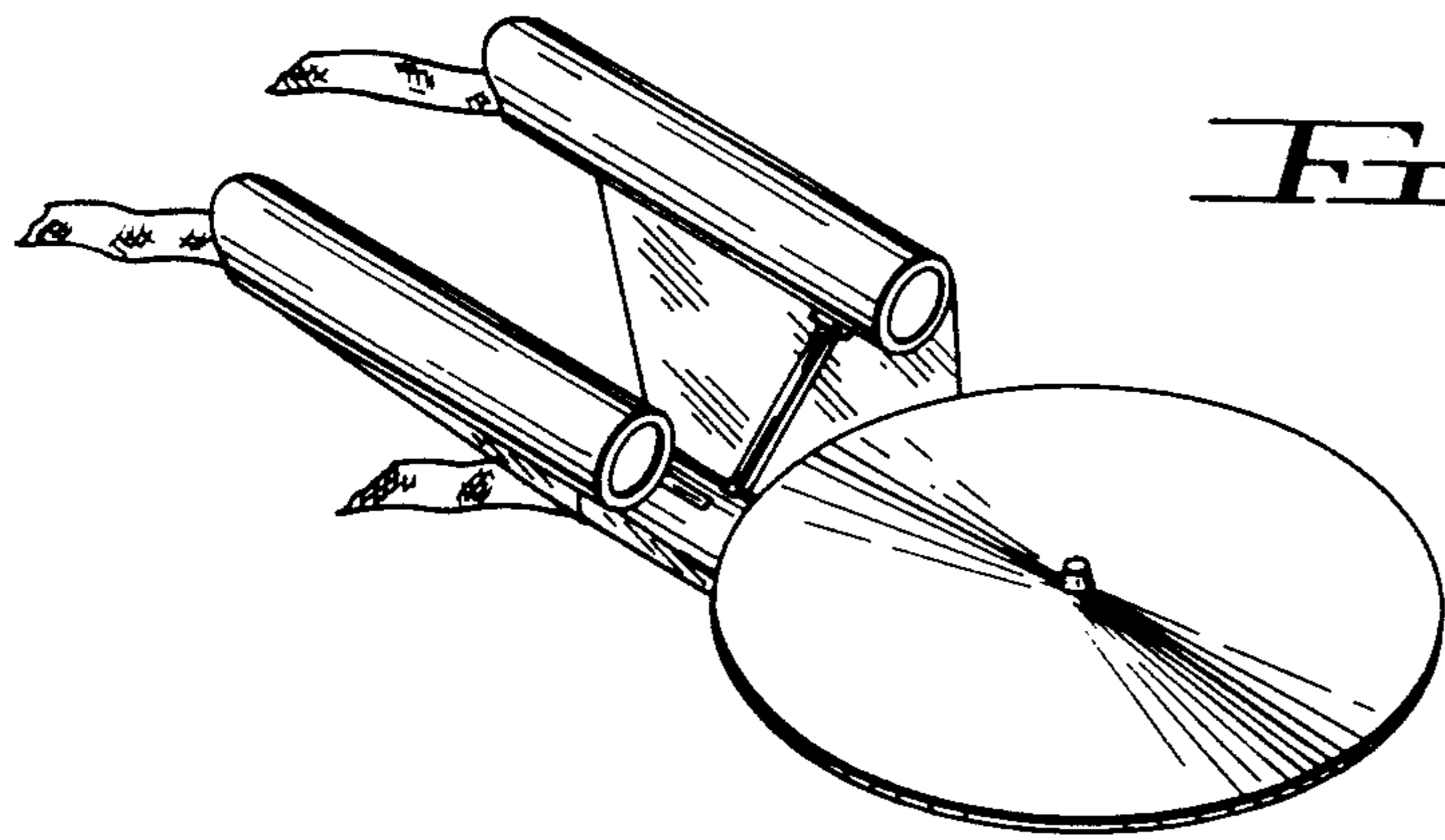
FIG. 4 is a top plan view thereof.

FIG. 5 is a front elevational view thereof.

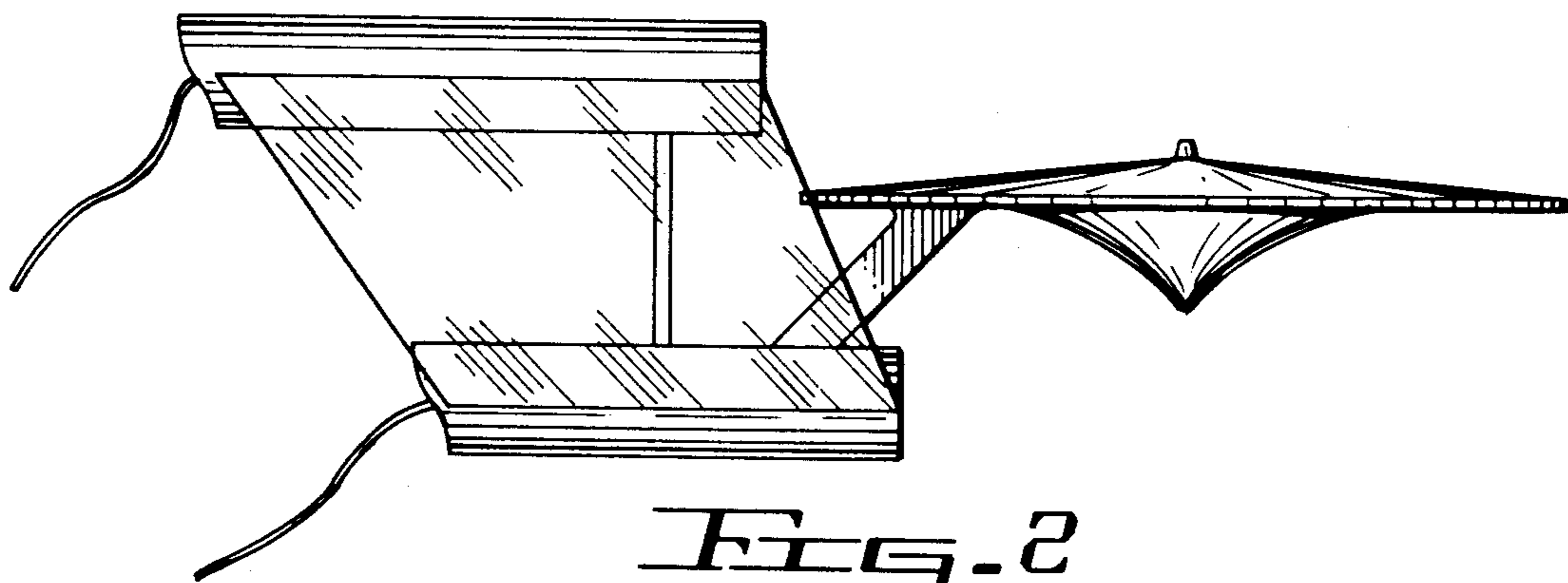
FIG. 6 is a rear elevational view thereof; and

FIG. 7 is a bottom plan view thereof.

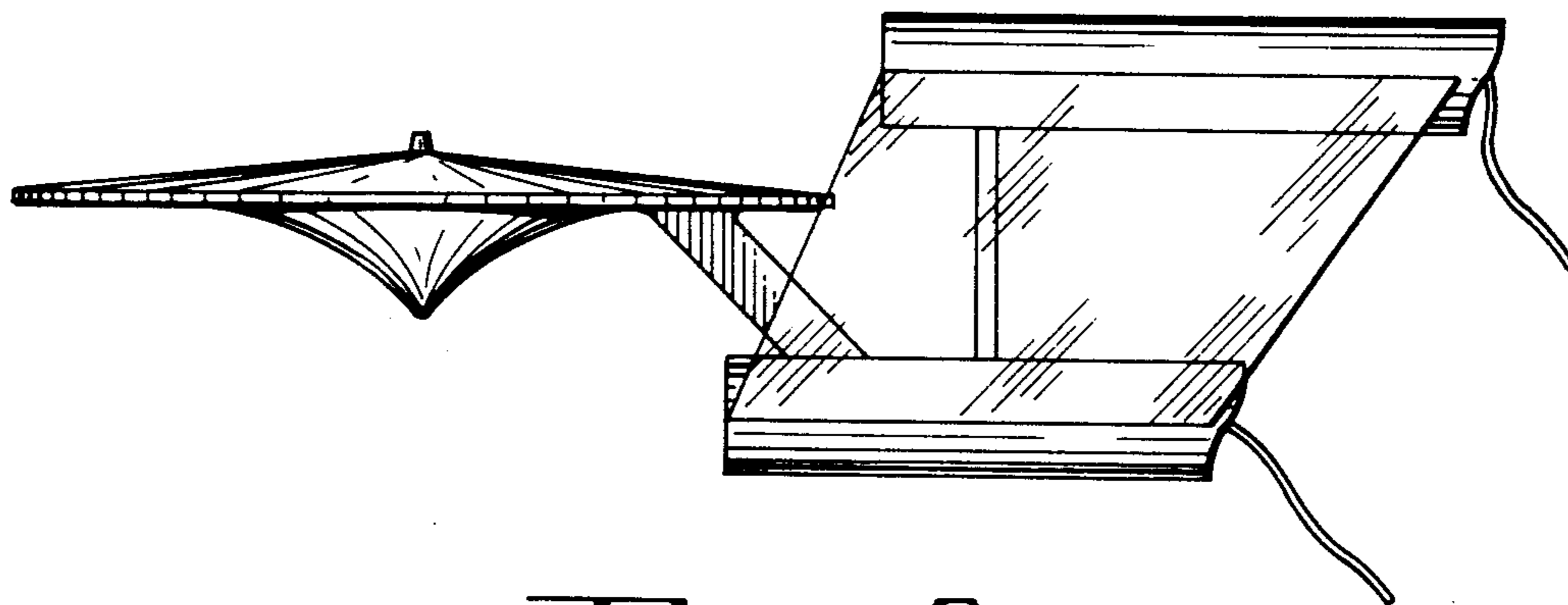




*FIG. 1*



*FIG. 2*



*FIG. 3*

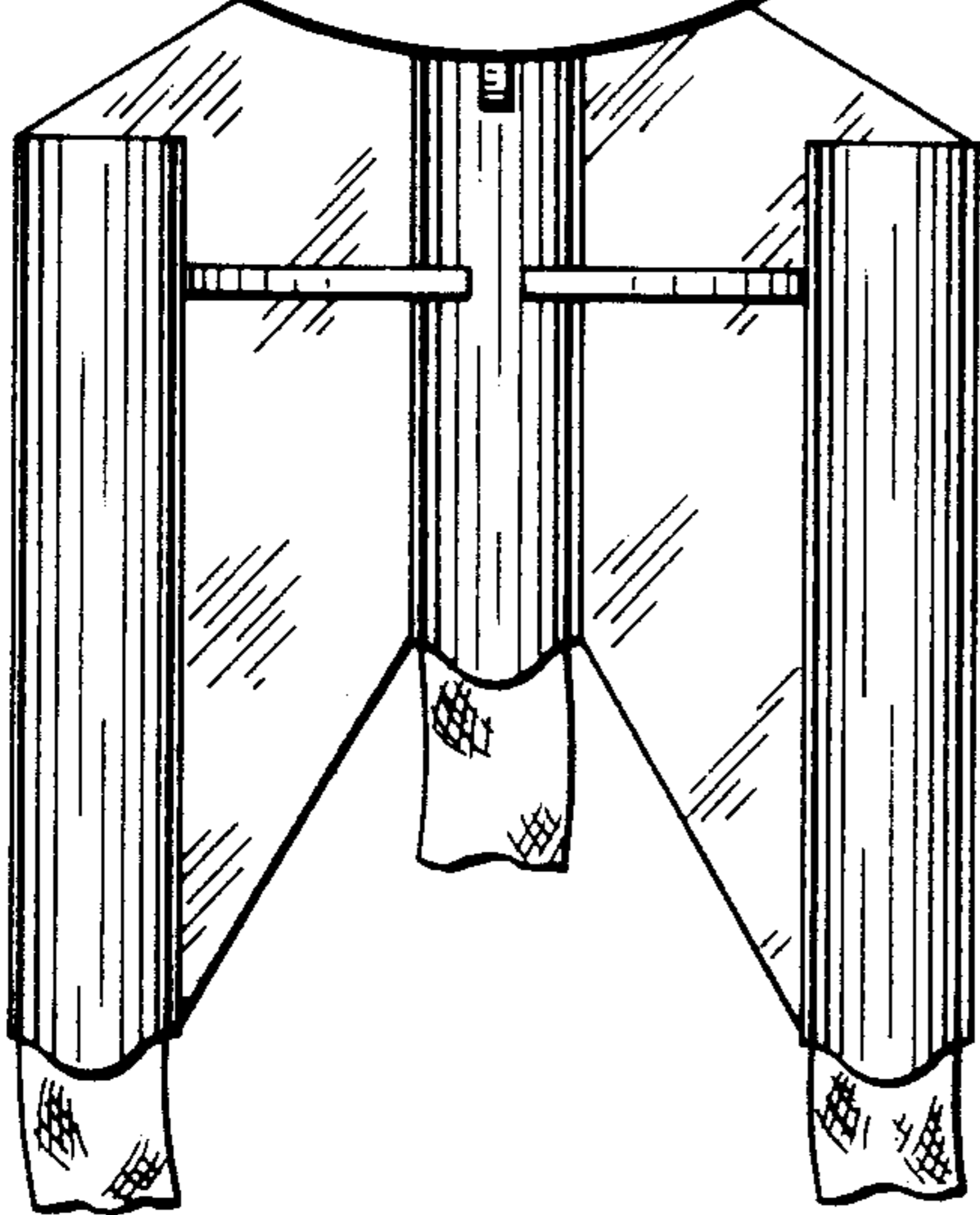
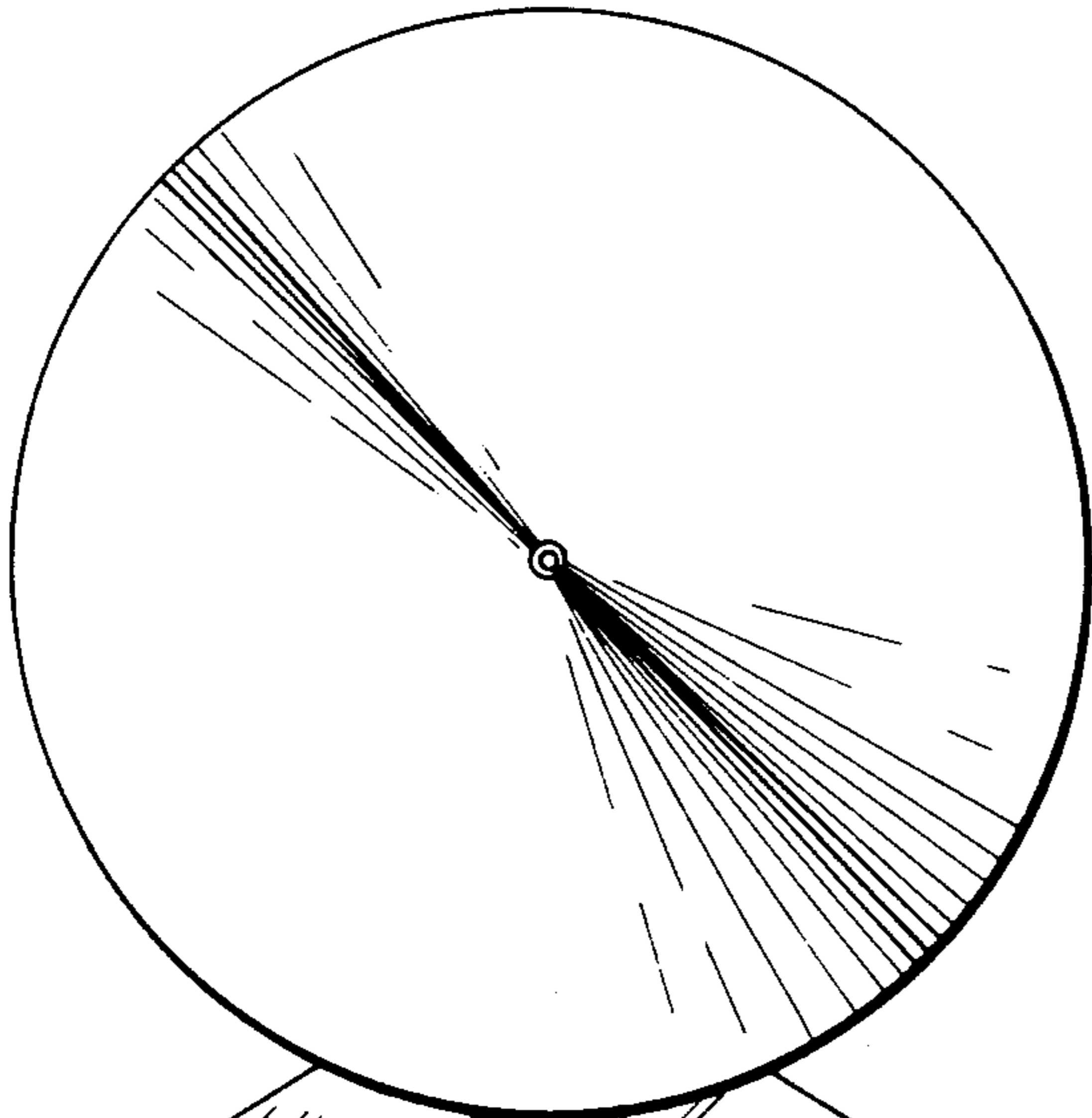


FIG. 4

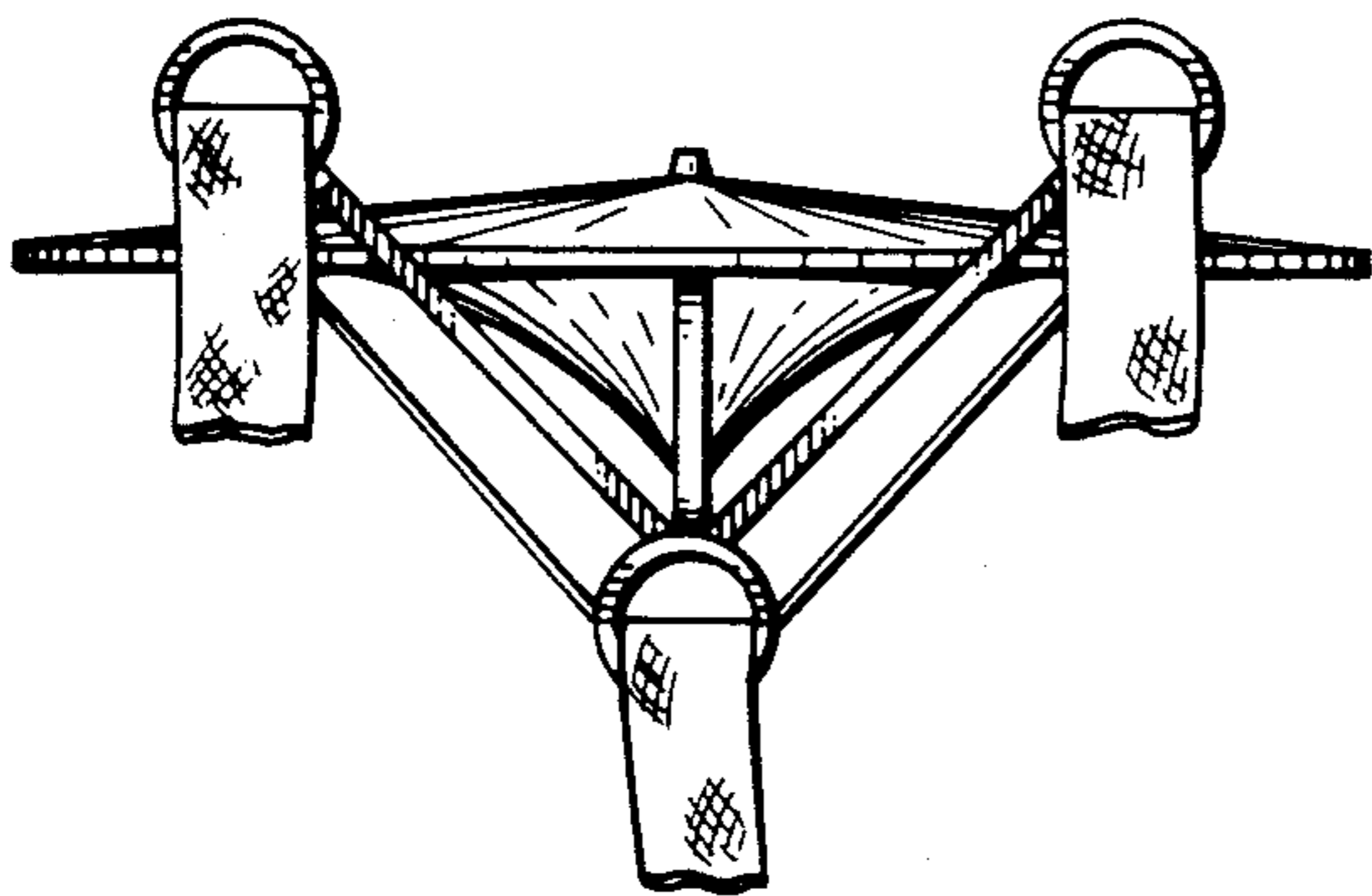


FIG. 6

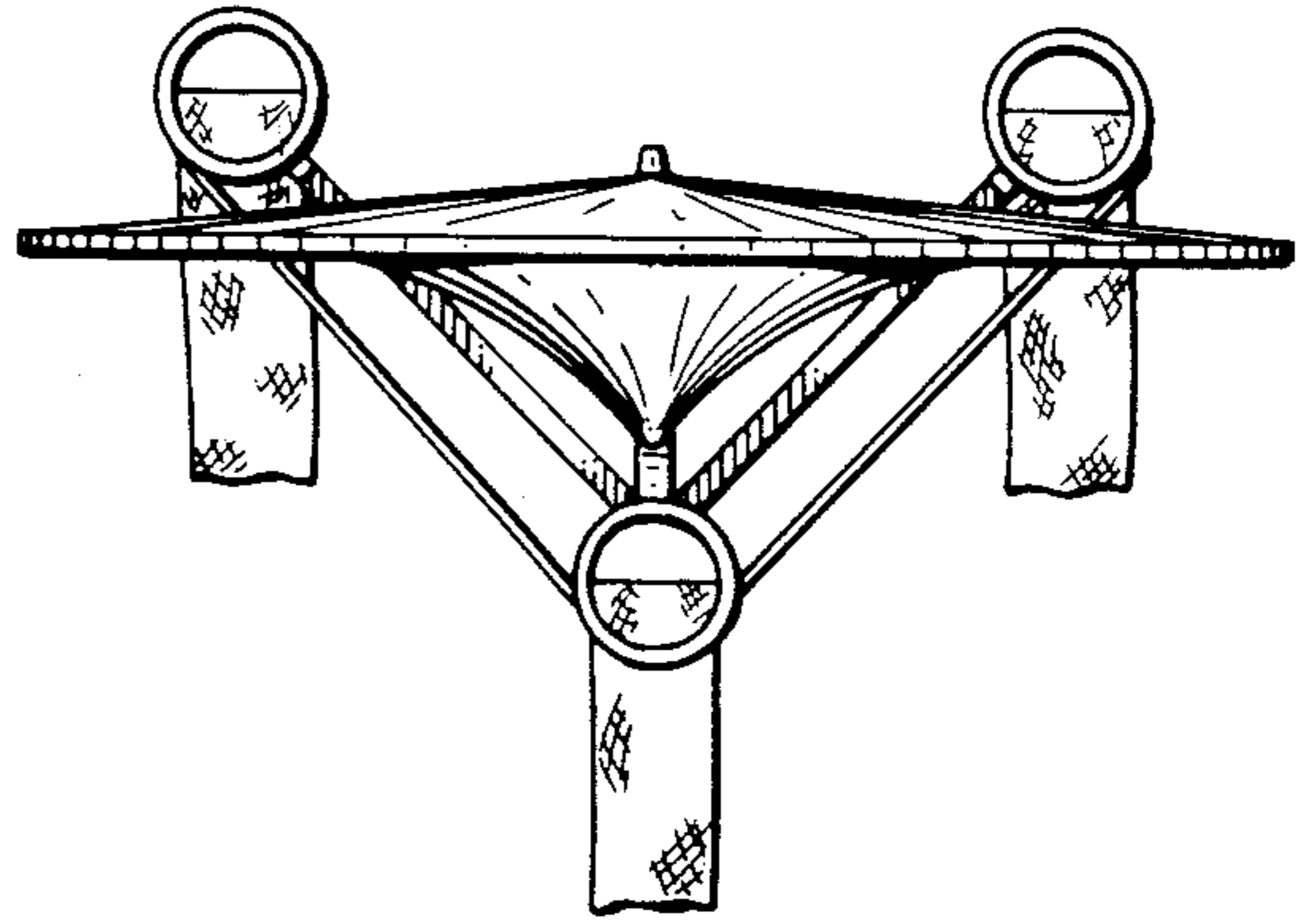


FIG. 5

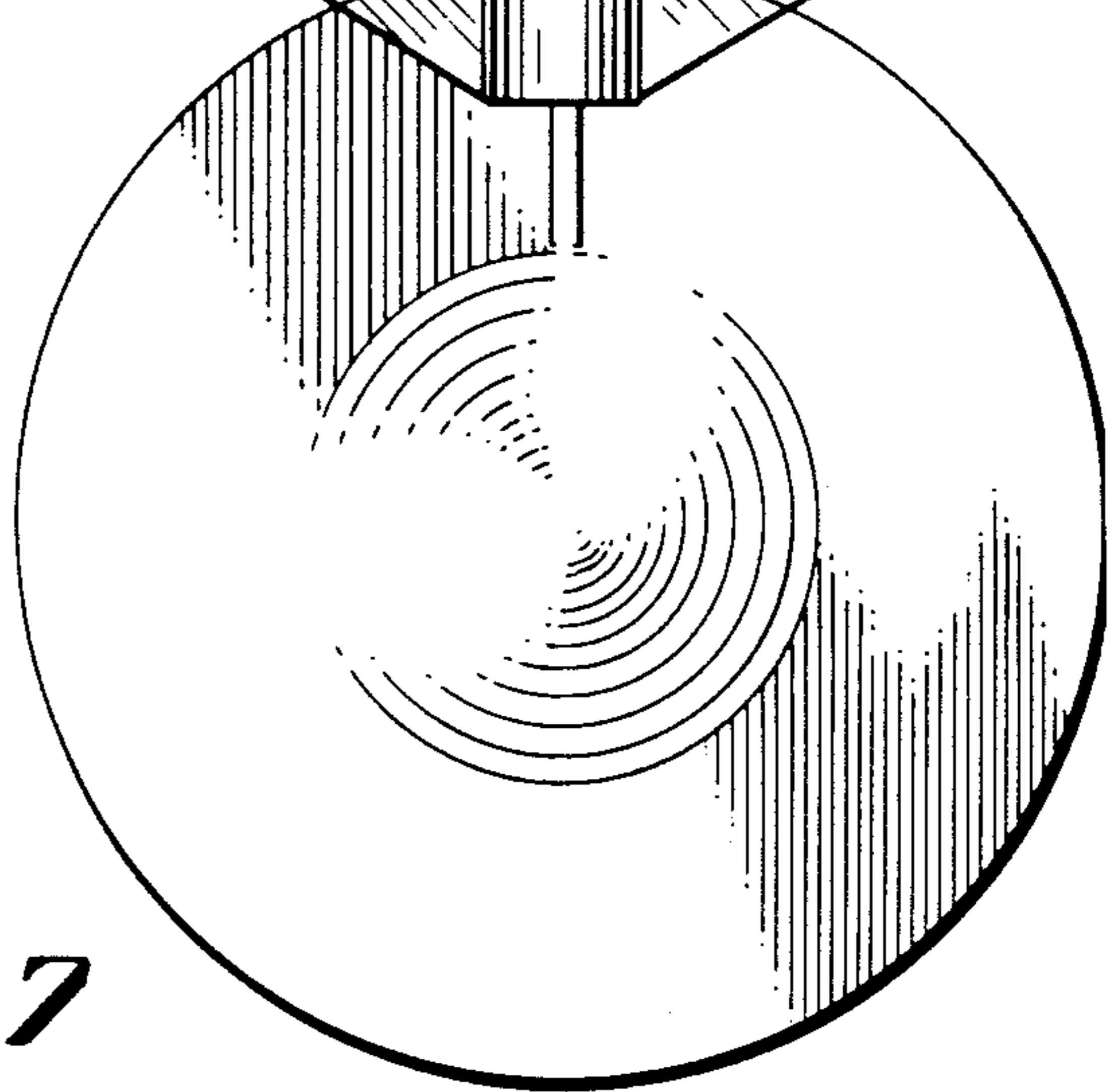
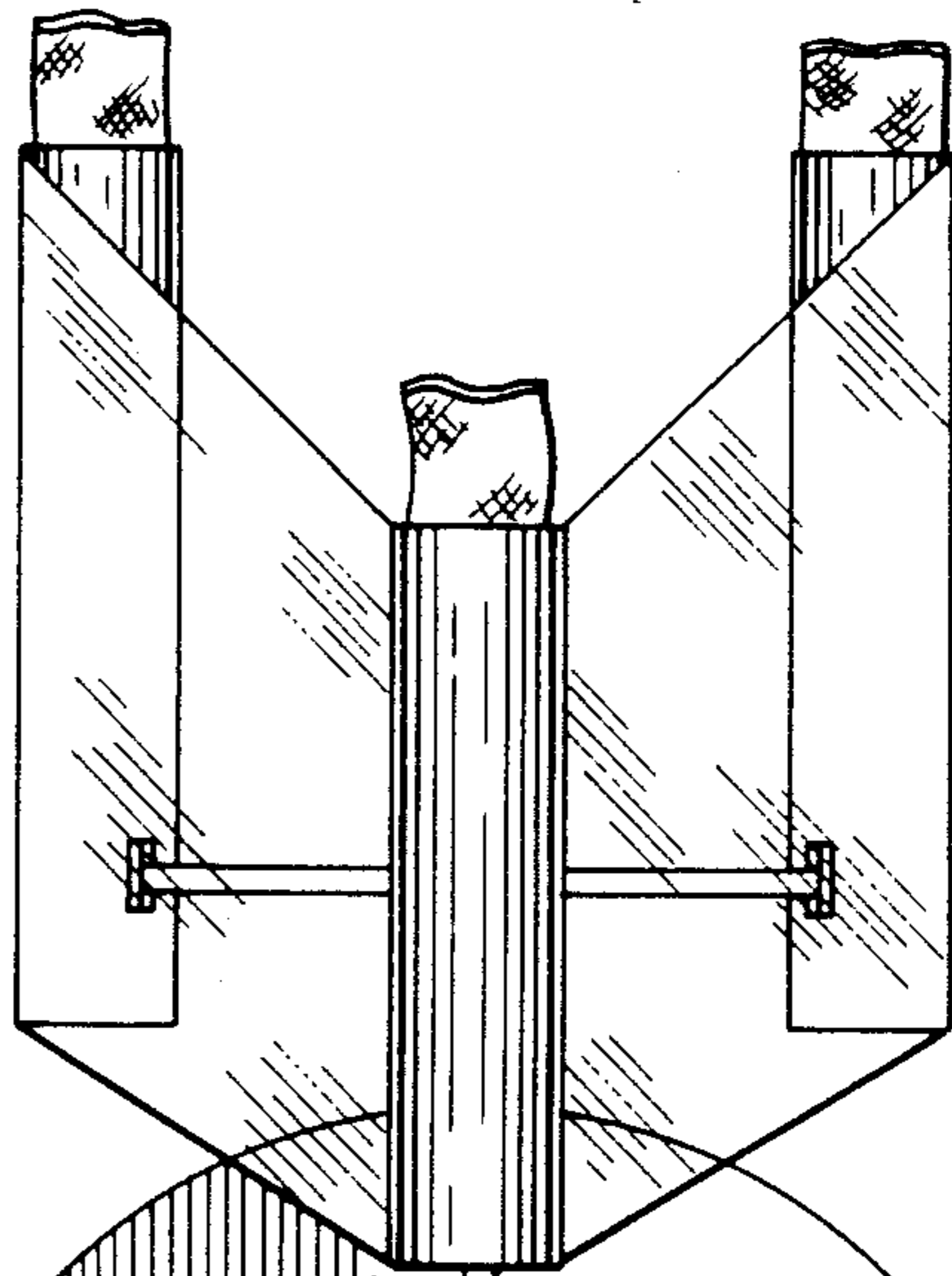


FIG. 7