

[54] FORM FOR A CONCRETE TRACTOR WEIGHT

[76] Inventor: Lloyd L. Vandewater, Rte. 1, Box 98, Dexter, Iowa 50070

[**] Term: 14 Years

[21] Appl. No.: 798,239

[22] Filed: May 18, 1977

[51] Int. Cl. D15-09

[52] U.S. Cl. D15/136

[58] Field of Search D15/136; 249/50, 129, 249/134, 112, 113

[56] References Cited

U.S. PATENT DOCUMENTS

278,110	5/1883	Duncan et al.	249/129
862,521	8/1907	Street	249/129

1,656,886 1/1928 Galante 249/134

Primary Examiner—Wallace R. Burke

Assistant Examiner—B. J. Bullock

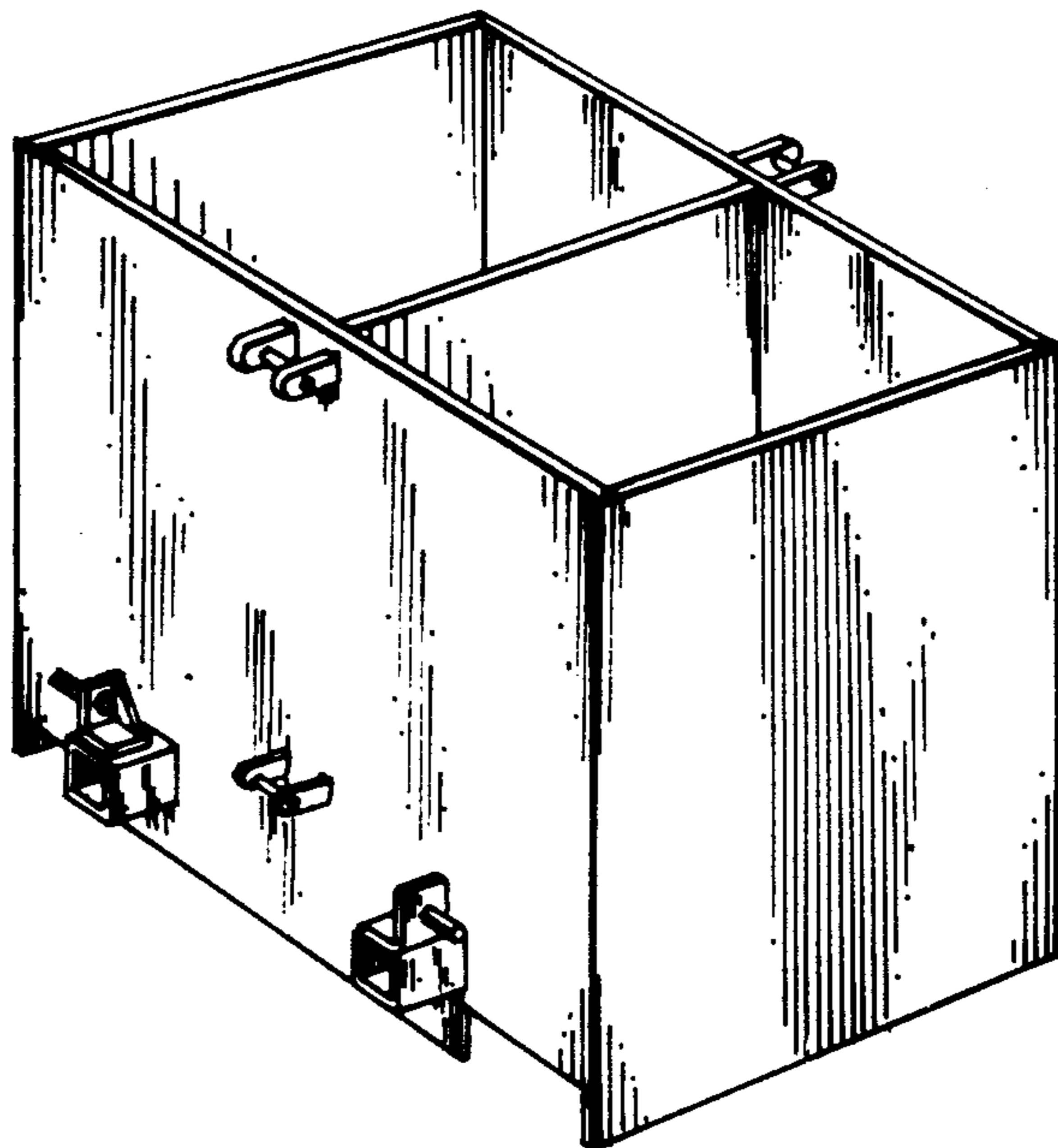
Attorney, Agent, or Firm—Rudolph L. Lowell

[57] CLAIM

The ornamental design for a form for a concrete tractor weight, substantially as shown.

DESCRIPTION

FIG. 1 is a reduced front perspective view of a form for a concrete tractor weight showing my new design; FIG. 2 is a reduced rear perspective view thereof; FIG. 3 is a top plan view thereof; FIG. 4 is a rear elevational view thereof; FIG. 5 is a front elevational view thereof; FIG. 6 is a side elevational view thereof, the opposite side being a mirror image of the side shown herein; and FIG. 7 is a bottom plan view thereof.



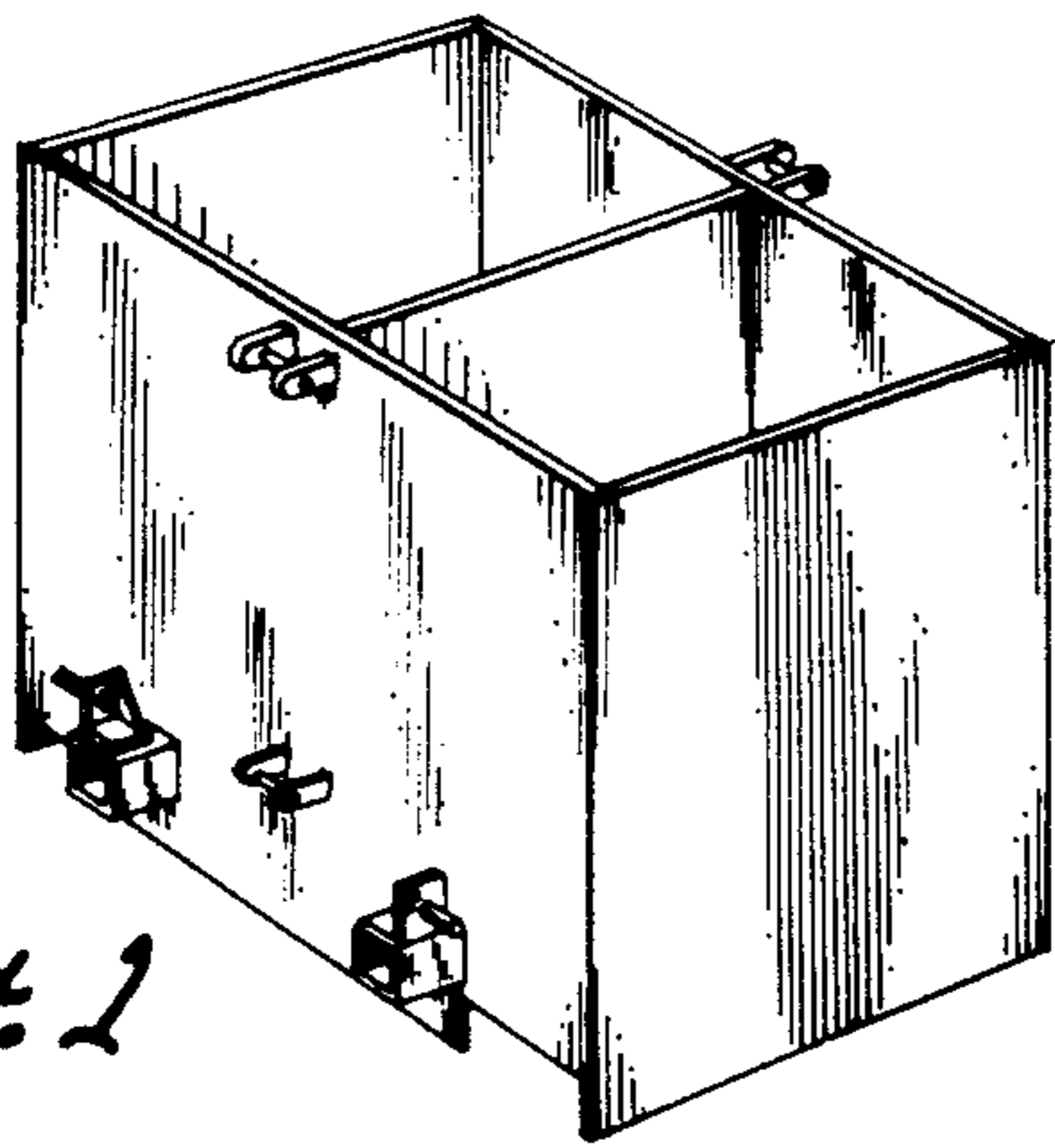


Fig. 1

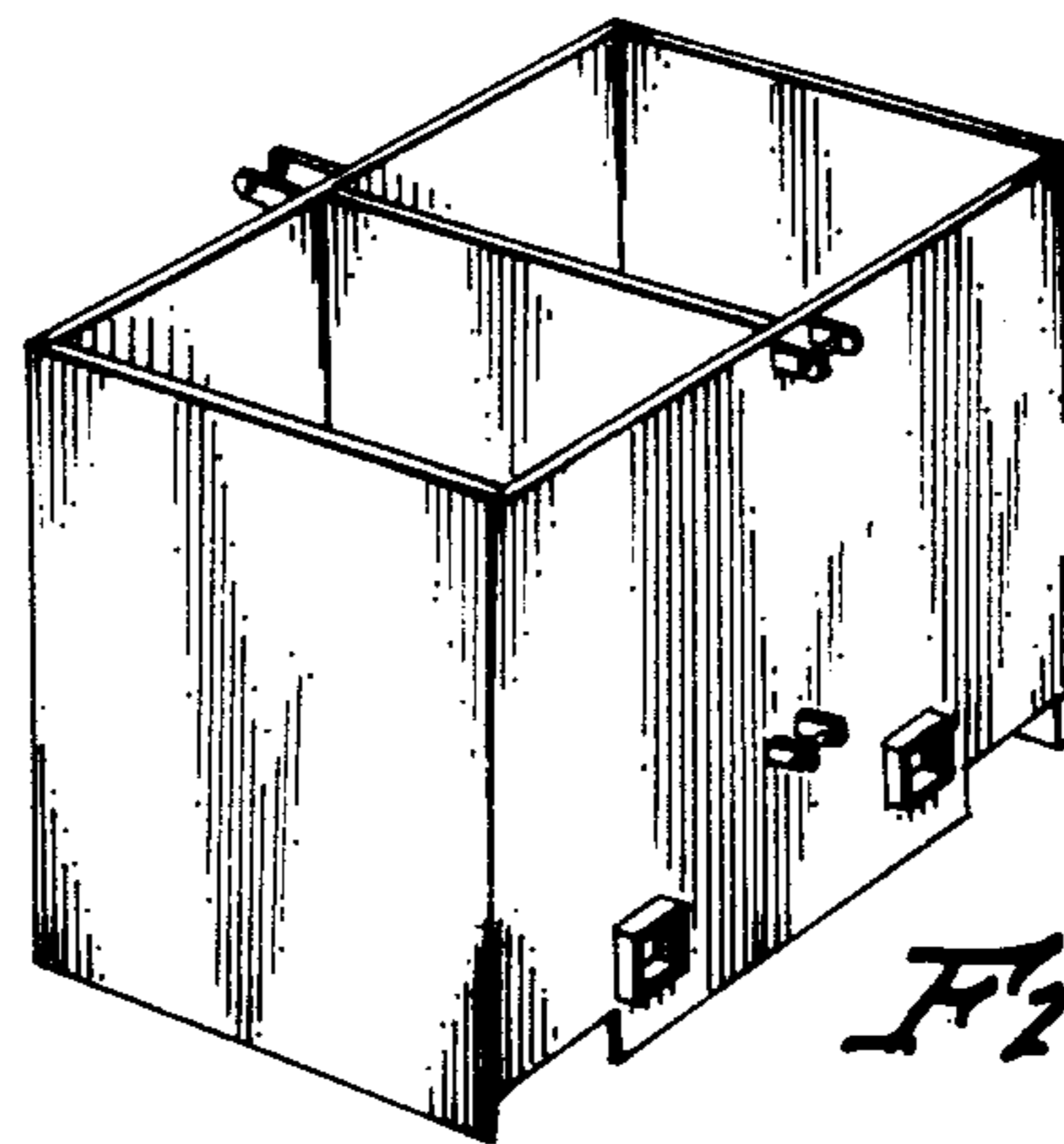


Fig. 2

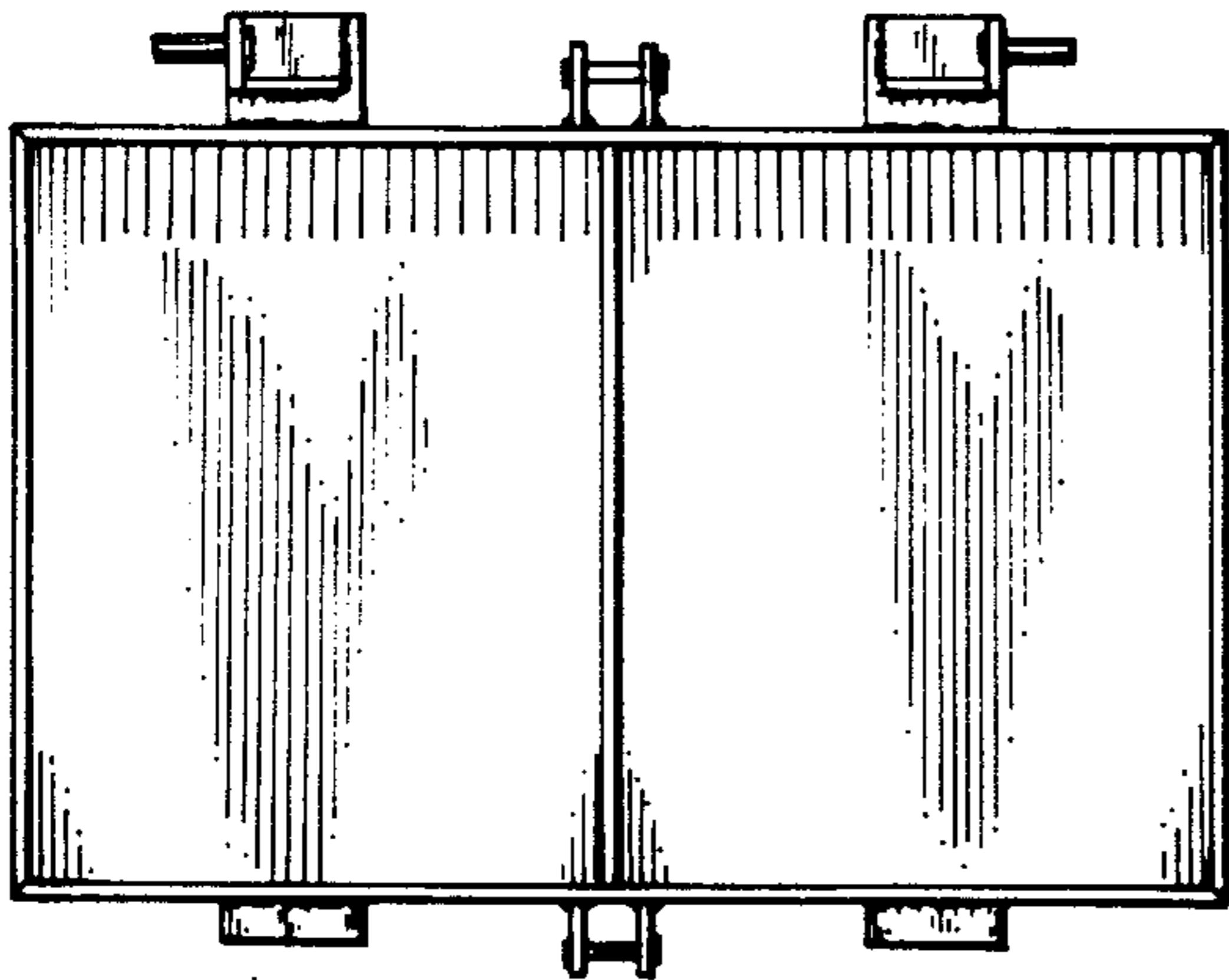


Fig. 3

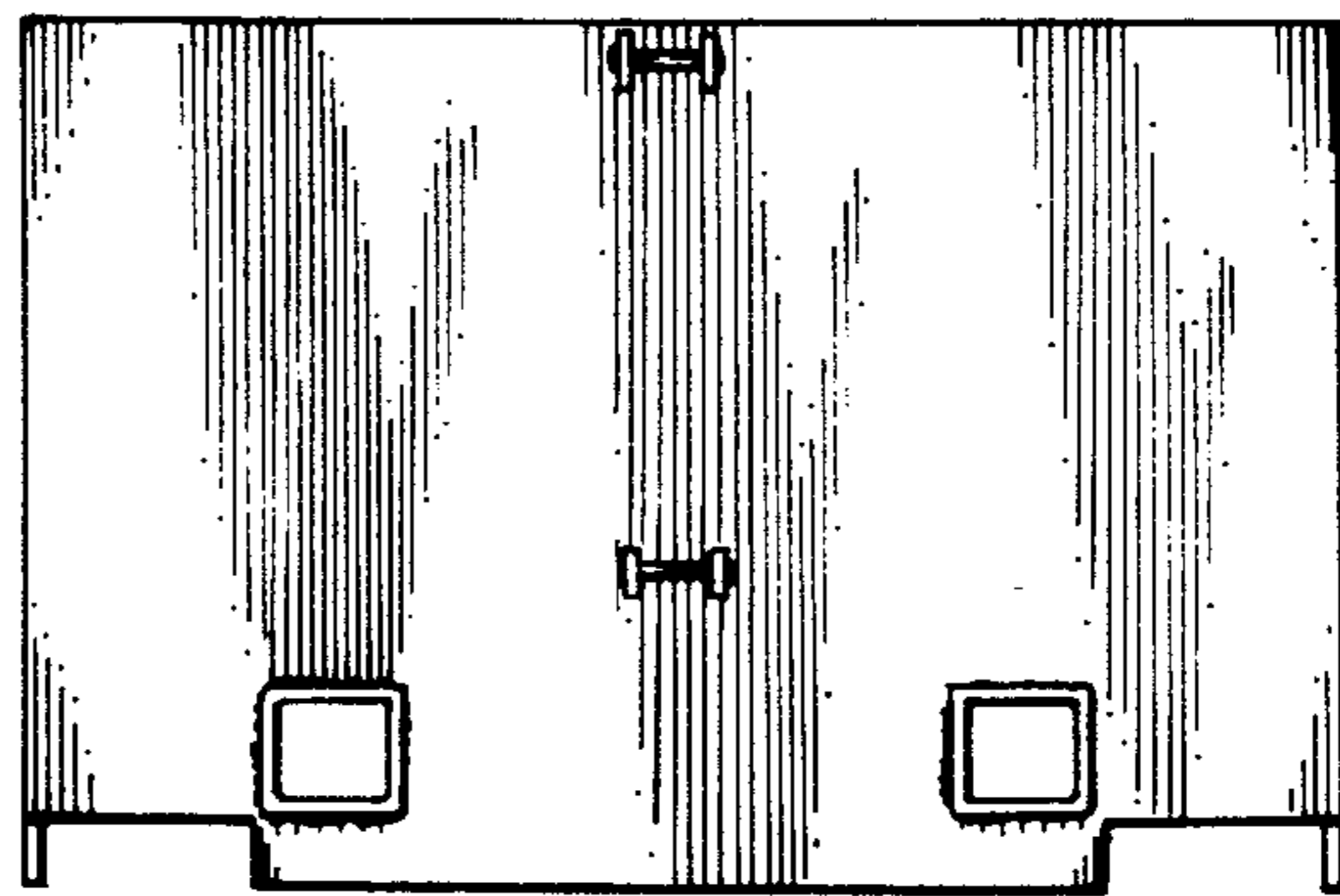


Fig. 4

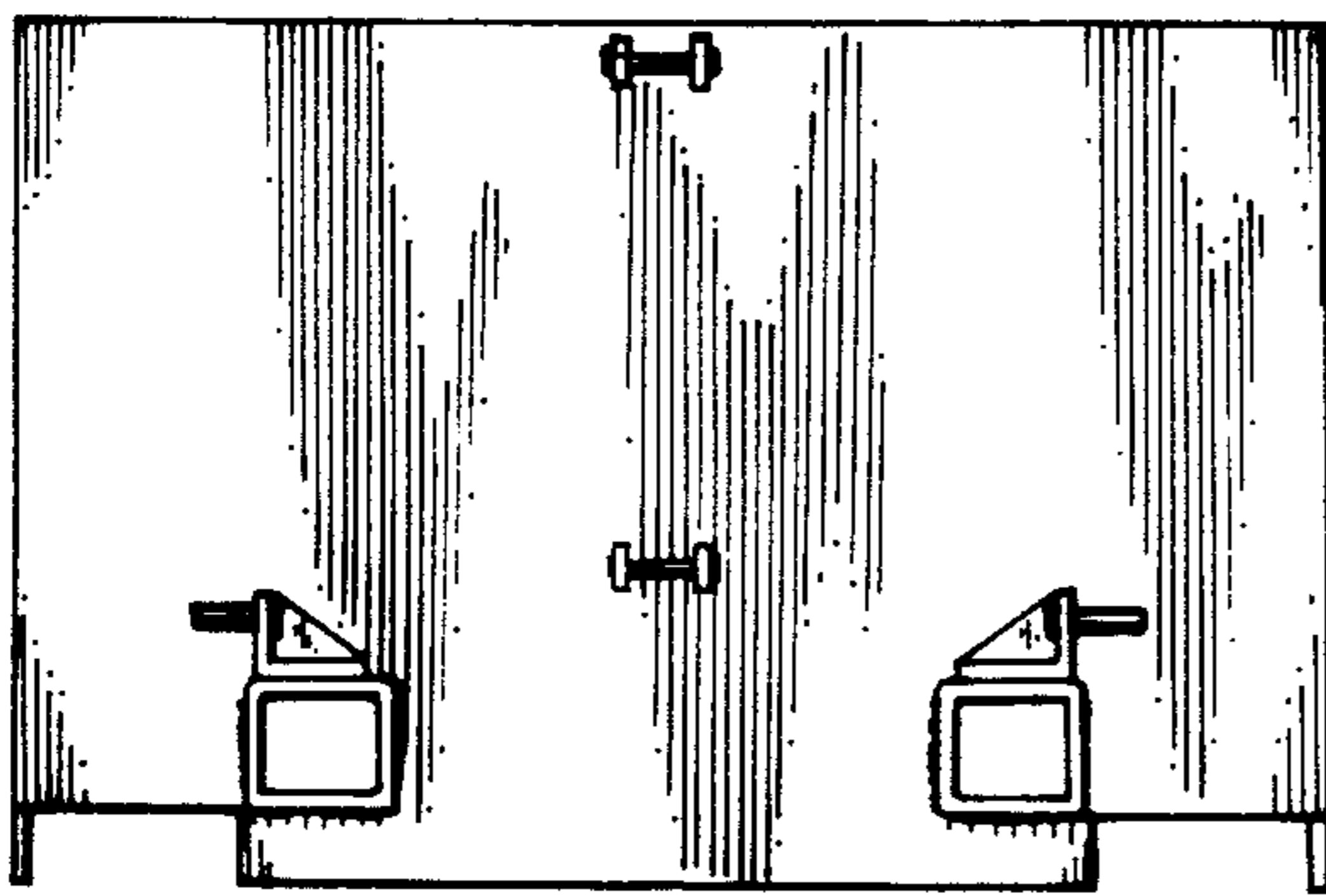


Fig. 5

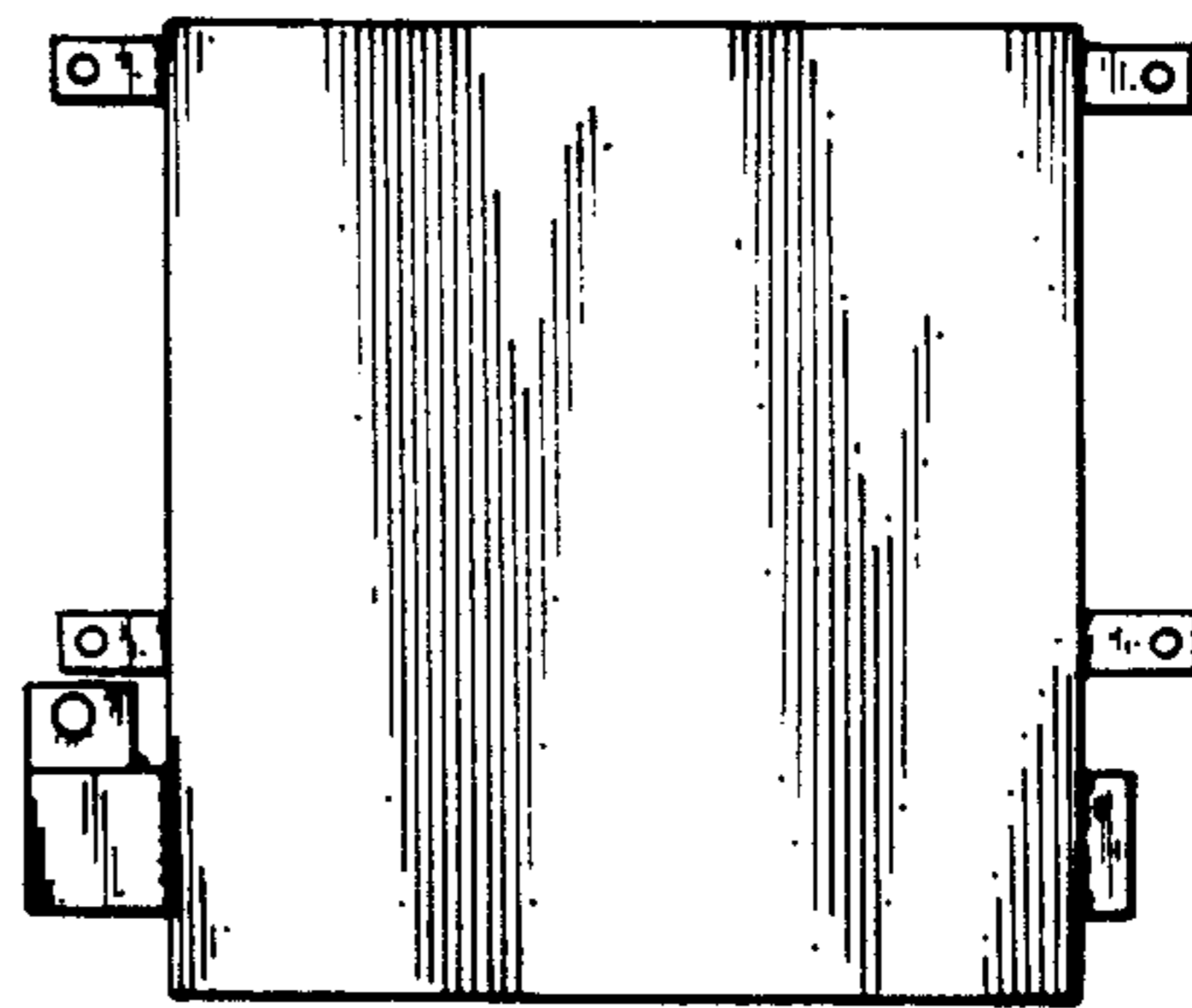


Fig. 6

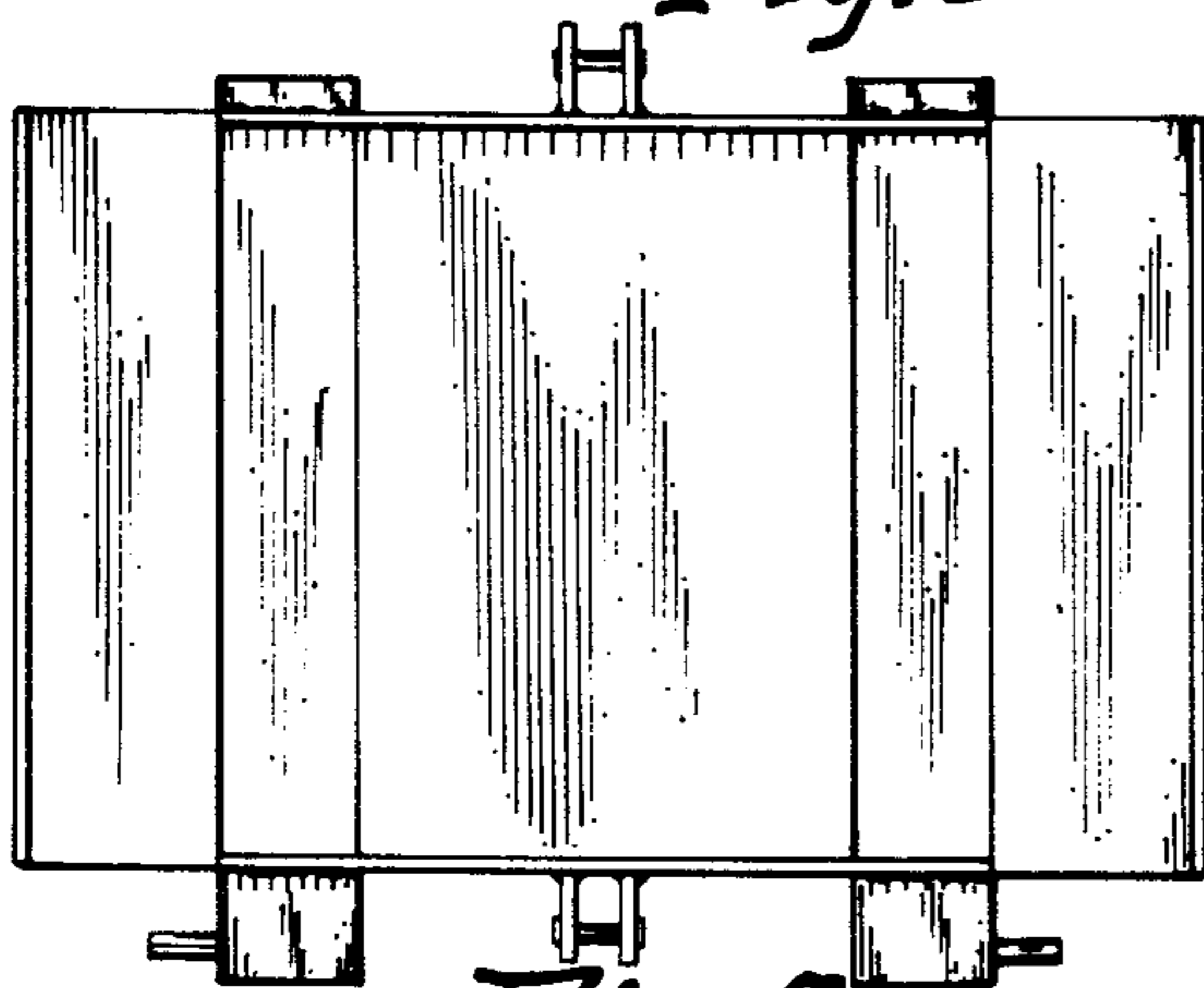


Fig. 7