

[54] ELECTRICAL CONNECTOR BLOCK ASSEMBLY

[75] Inventor: Donald F. Voelkert, Elkhart, Ind.

[73] Assignee: ElecTroMation, Inc., Elkhart, Ind.

[**] Term: 7 Years

[21] Appl. No.: 825,773

[22] Filed: Aug. 18, 1977

[51] Int. Cl. D13-03

[52] U.S. Cl. D13/24

[58] Field of Search D13/12, 24, 27, 28, D13/29, 30; 339/59 M, 60 R, 60 M, 91 R, 185 R, 186 R, 186 M

[56] References Cited

U.S. PATENT DOCUMENTS

D. 205,221	7/1966	Geis, Jr. et al.	D13/24
3,467,942	9/1969	Dell et al.	339/91 R X
3,662,296	5/1970	Newman	339/91 R X
3,671,921	6/1972	Baker et al.	339/91 R X

Primary Examiner—Susan J. Lucas

Attorney, Agent, or Firm—Marmaduke A. Hobbs

[57] CLAIM

The ornamental design for an electrical connector block assembly, substantially as shown and described.

DESCRIPTION

FIG. 1 is a perspective view of an electrical connector block assembly embodying the present design;

FIG. 2 is an exploded perspective view of the electrical connector block assembly shown in FIG. 1;

FIG. 3 is an exploded side elevational view of the electrical block assembly seen in the preceding figures, showing the side opposite that seen in FIGS. 1 and 2;

FIG. 4 is an exploded, elevational view of the electrical connector block assembly, opposite the side shown in FIGS. 1 and 2;

FIG. 5 is an elevational view of the outer end of the section having protruding latching arms;

FIG. 6 is an elevational view of the end opposite that shown in FIG. 5 of the respective section;

FIG. 7 is an elevational view of the inner end of the section having protruding U-shaped catches;

FIG. 8 is an elevational view of the end opposite that shown in FIG. 7 of the respective section of the electrical connector block assembly.

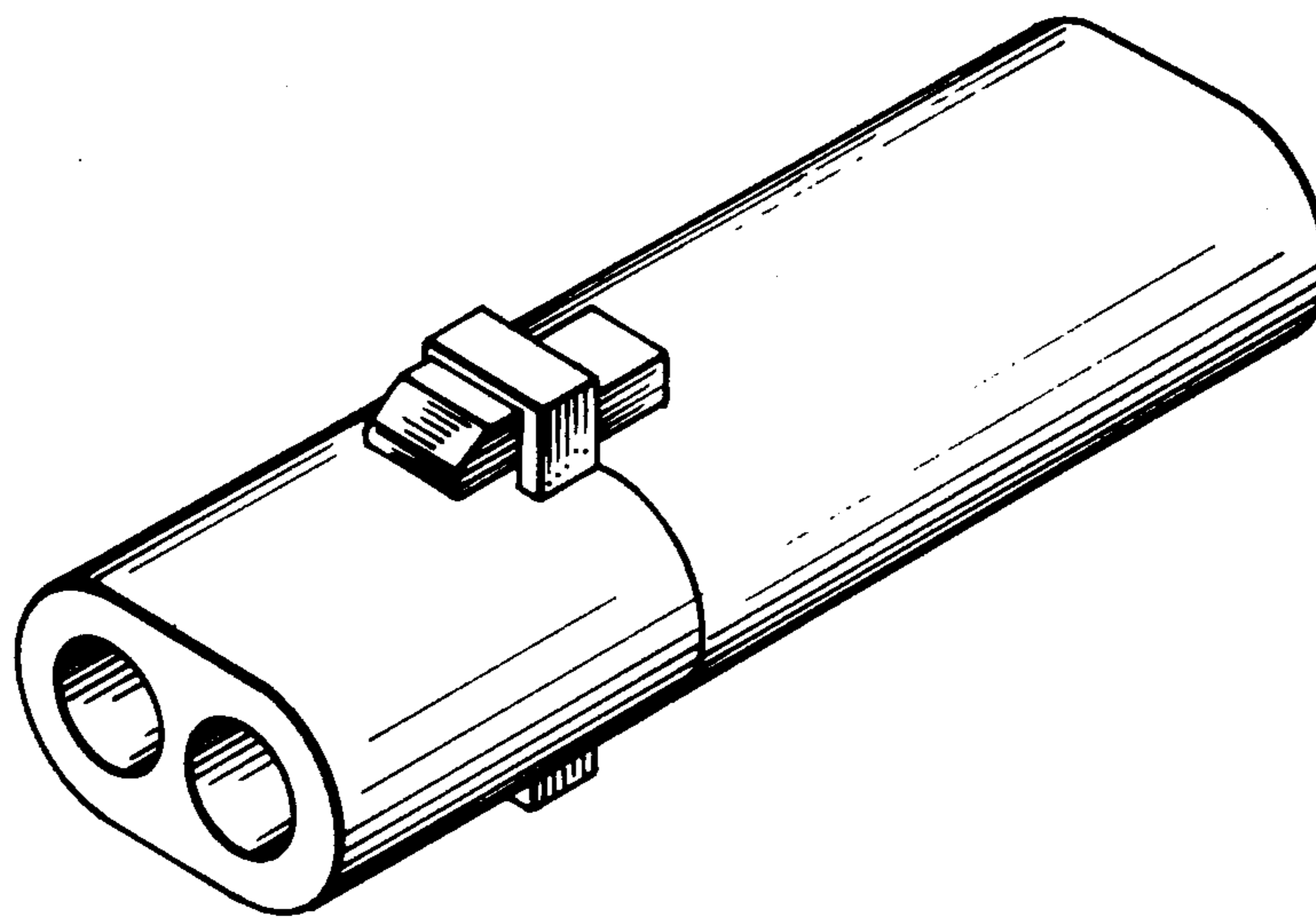


Fig. 1

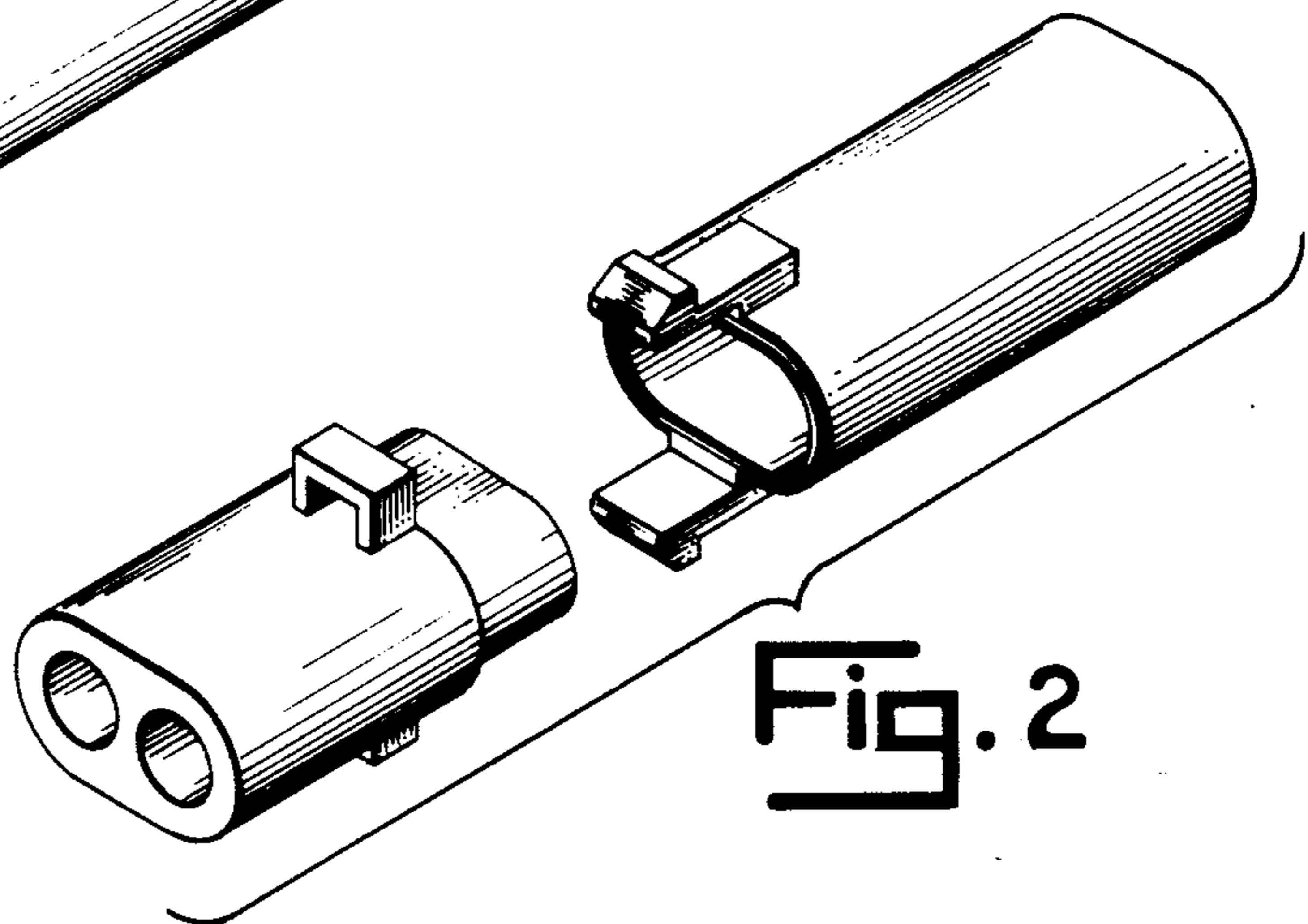
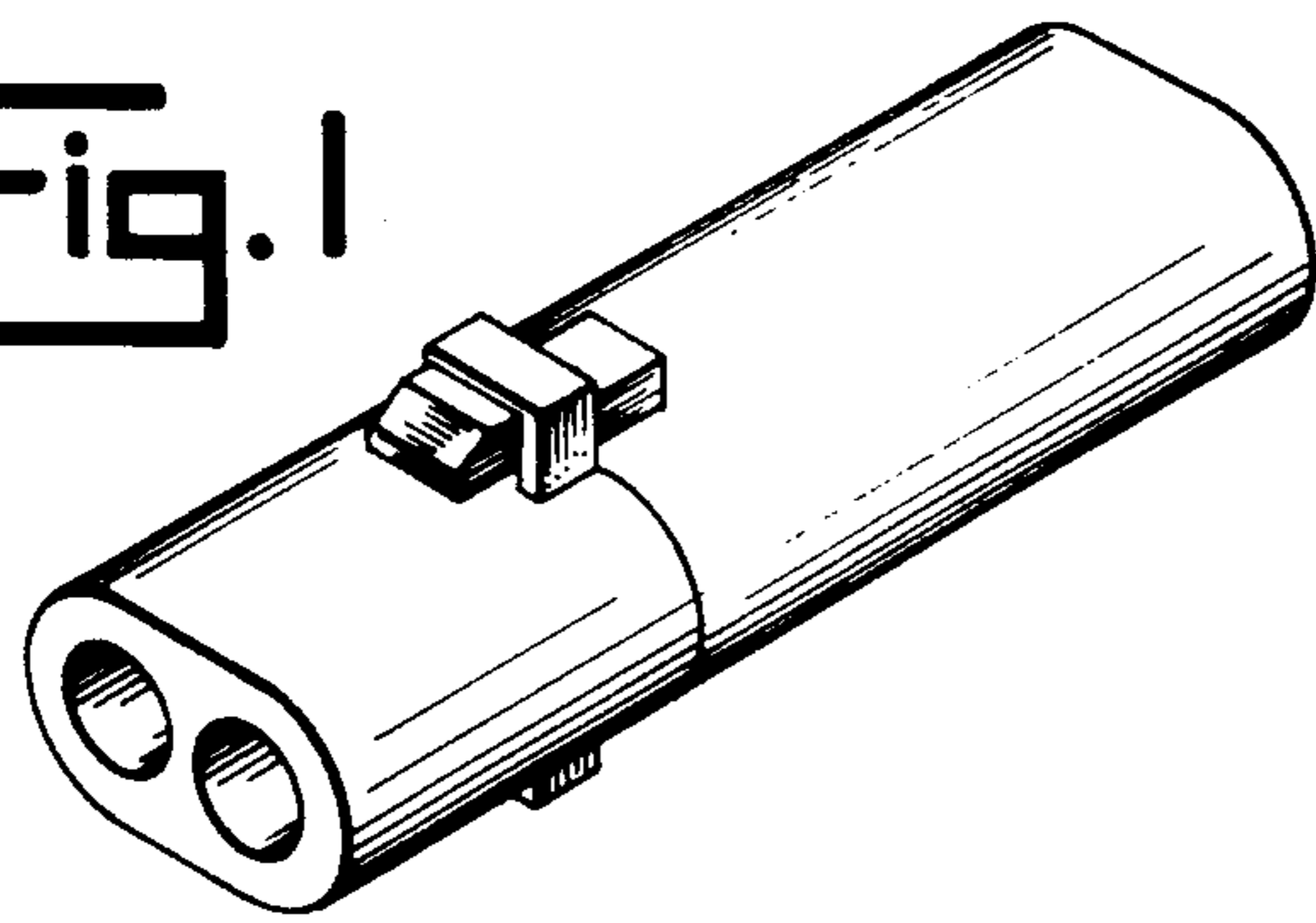


Fig. 2

Fig. 3

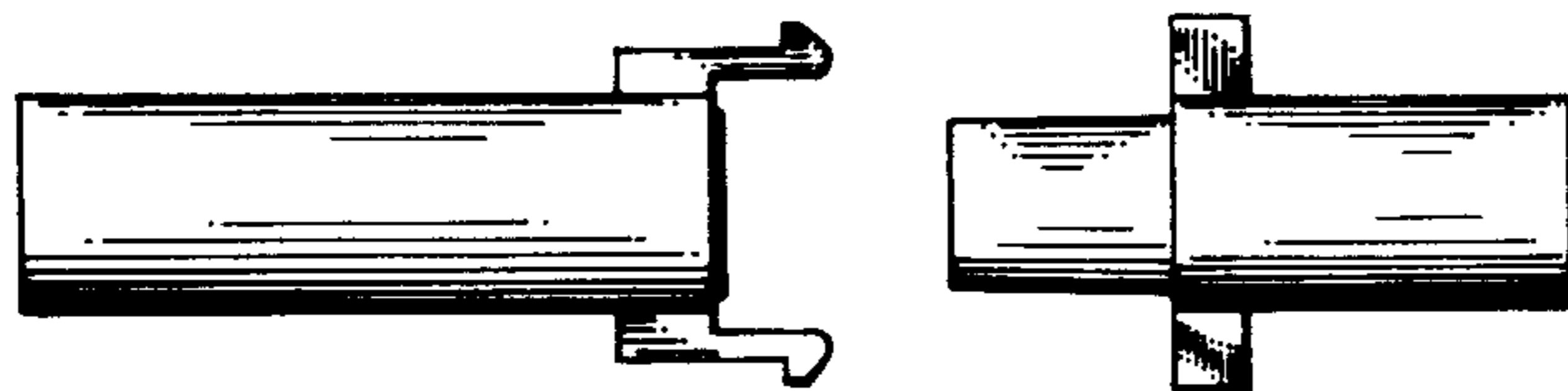


Fig. 5

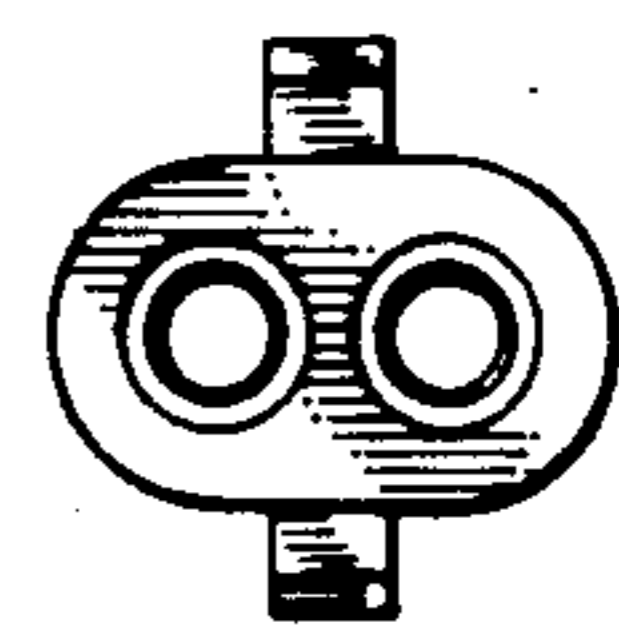


Fig. 4

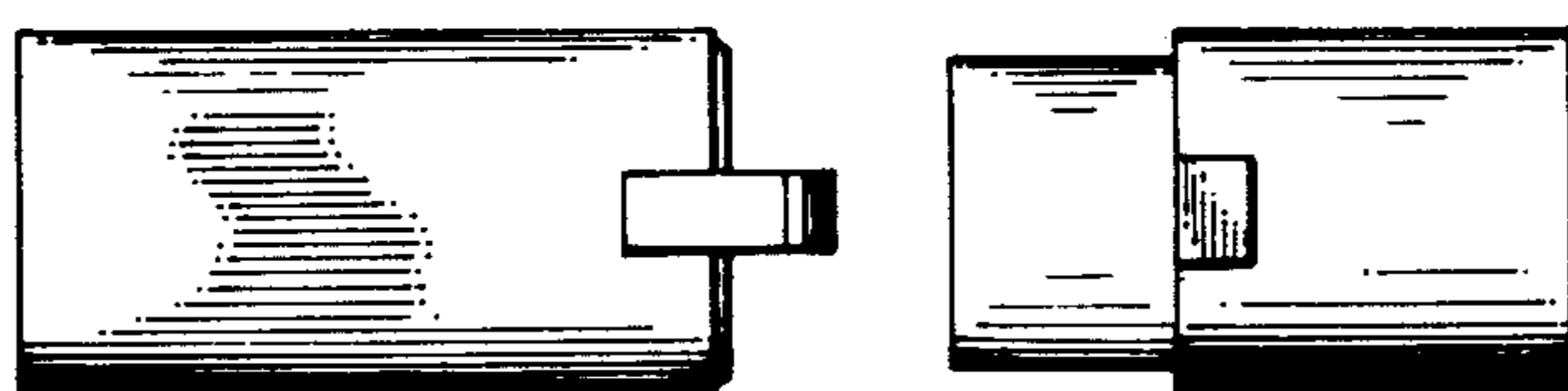


Fig. 6

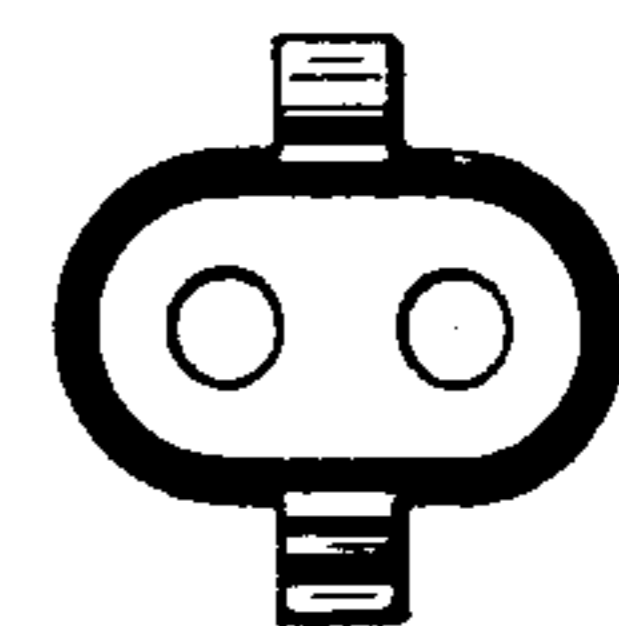


Fig. 7

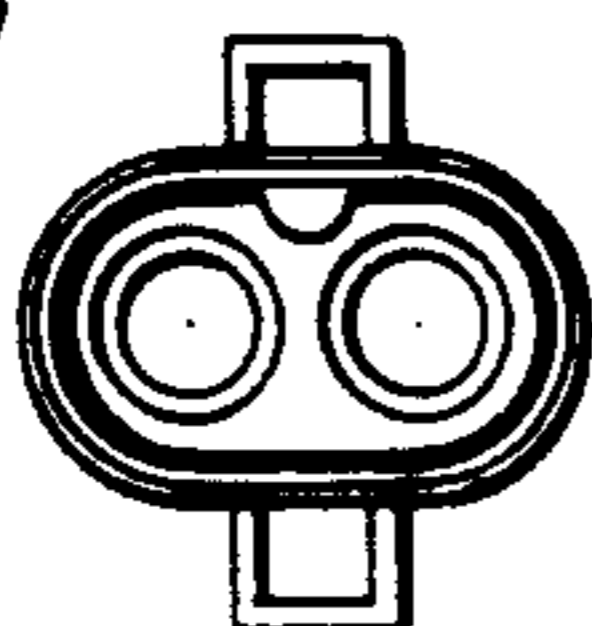


Fig. 8

