

[54] SIREN ATTACHMENT FOR CYCLE-TYPE VEHICLES

[75] Inventors: **Mason Benson**, Red Bank; **James McIntosh**, Sommerset, both of N.J.

[73] Assignee: **Carolina Enterprises, Inc.**, New York, N.Y.

[**] Term: **14 Years**

[21] Appl. No.: **918,311**

[22] Filed: **Jun. 22, 1978**

[51] Int. Cl. **D10-06**

[52] U.S. Cl. **D10/120**

[58] Field of Search D10/116, 120, 121; 340/384 R, 384 E, 388, 391, 392, 396, 400, 402, 404, 405; 116/137, 141, 147, 142, 152

[56] **References Cited**

U.S. PATENT DOCUMENTS

D. 235,747 7/1975 Sweany D10/120
1,116,174 11/1914 Upton 116/147

Primary Examiner—Susan J. Lucas
Attorney, Agent, or Firm—Morris Kirschstein

[57] **CLAIM**

The ornamental design for siren attachment for cycle-type vehicles, substantially as shown and described.

DESCRIPTION

FIG. 1 is a left side perspective view of the siren attachment for cycle-type vehicles showing our new design; FIG. 2 is a top plan view of the siren attachment for cycle-type vehicles on an enlarged scale; FIG. 3 is a front elevational view of the siren attachment for cycle-type vehicles on an enlarged scale; FIG. 4 is a right side view of the siren attachment for cycle-type vehicles on an enlarged scale; FIG. 5 is a rear elevational view of the siren attachment for cycle-type vehicles on an enlarged scale; and FIG. 6 is a bottom plan view of the siren attachment for cycle-type vehicles on an enlarged scale.

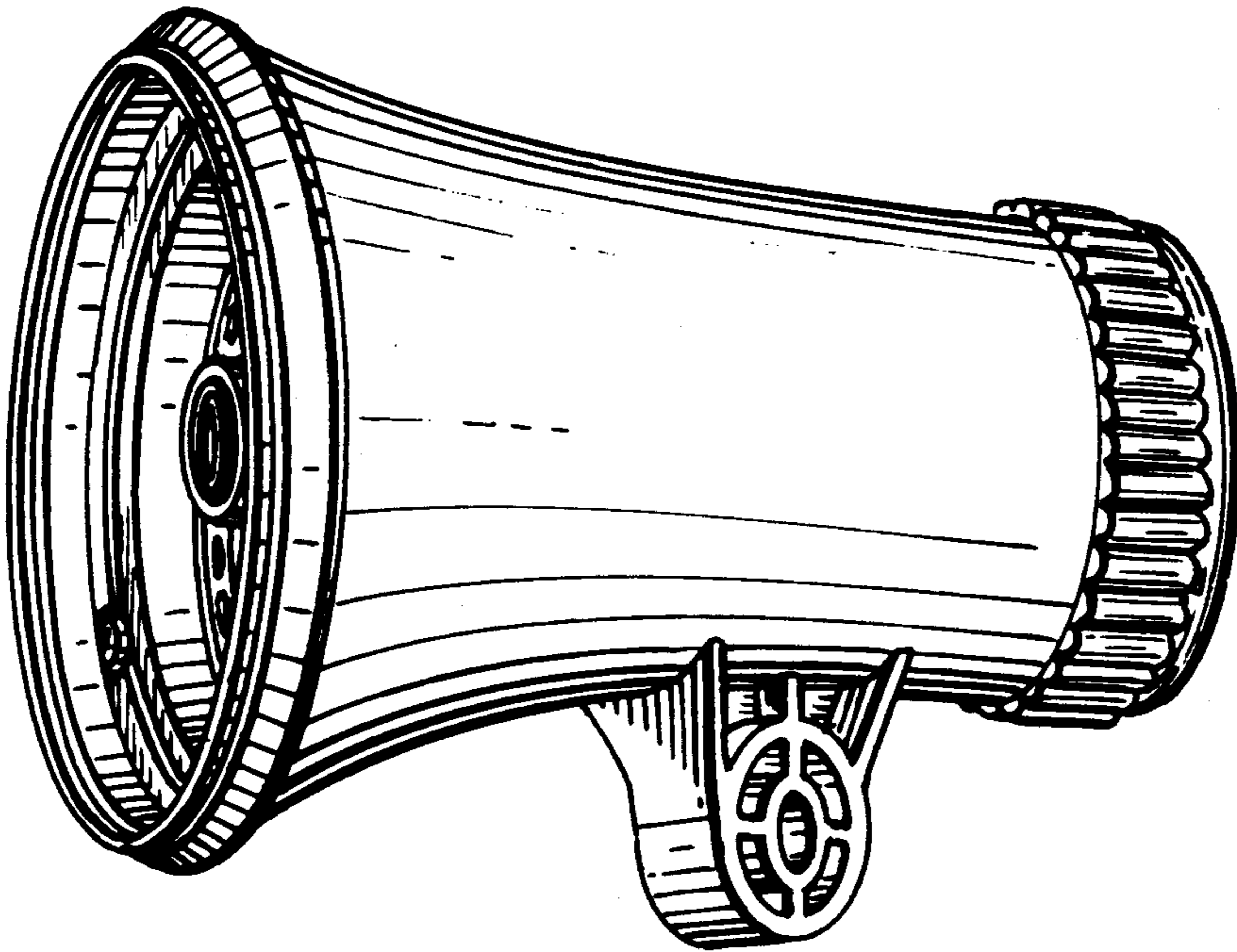


FIG. 1

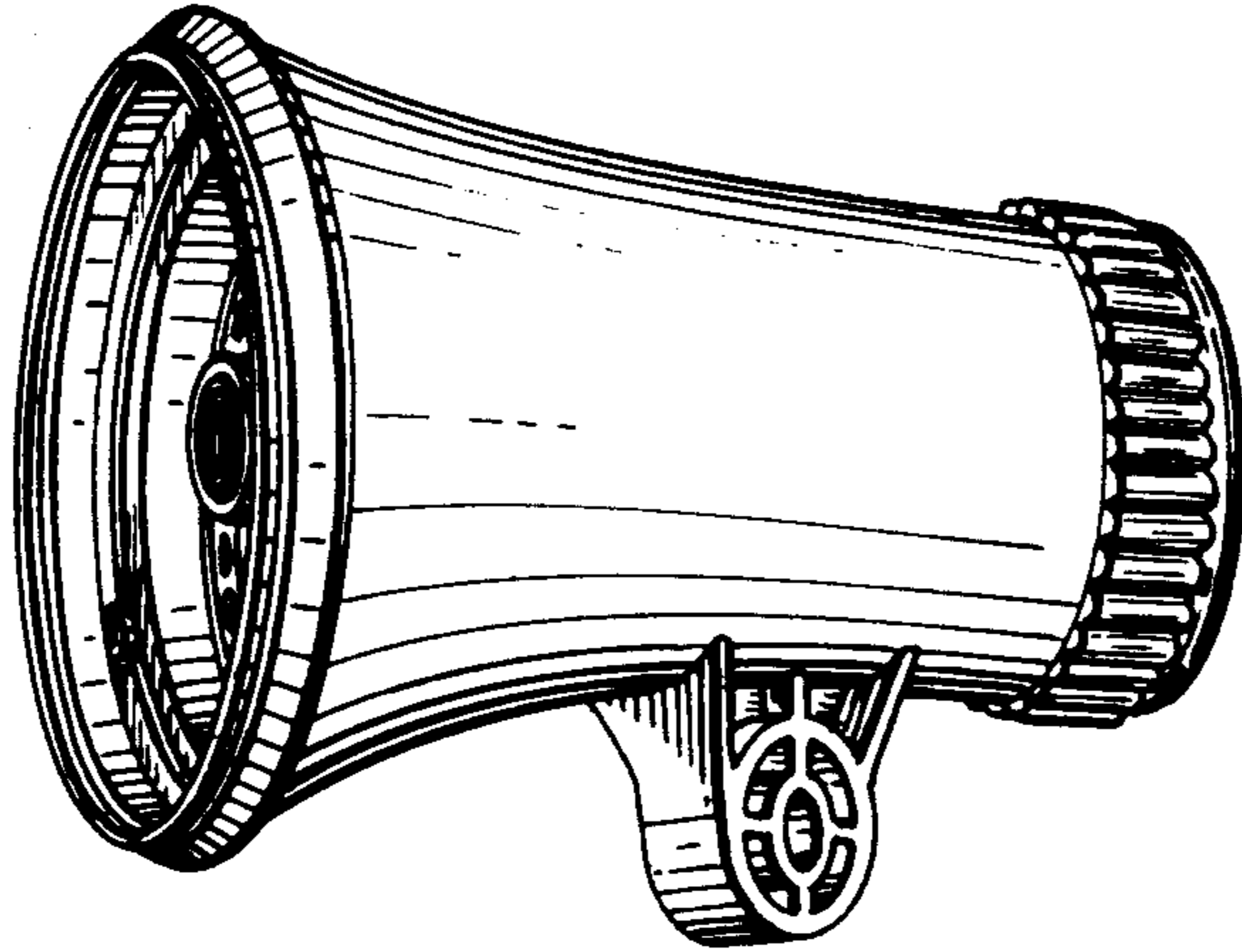


FIG. 2

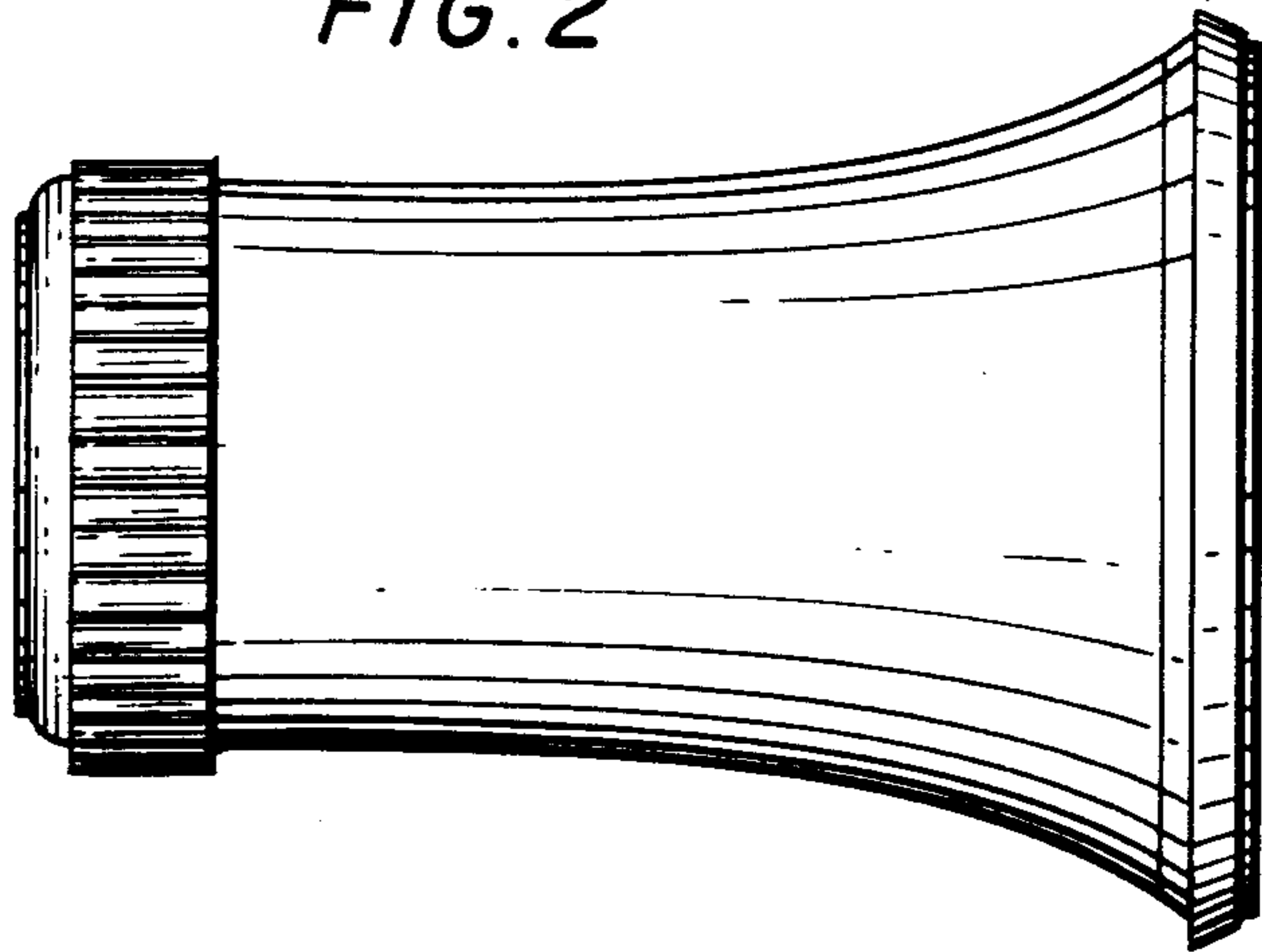


FIG. 3

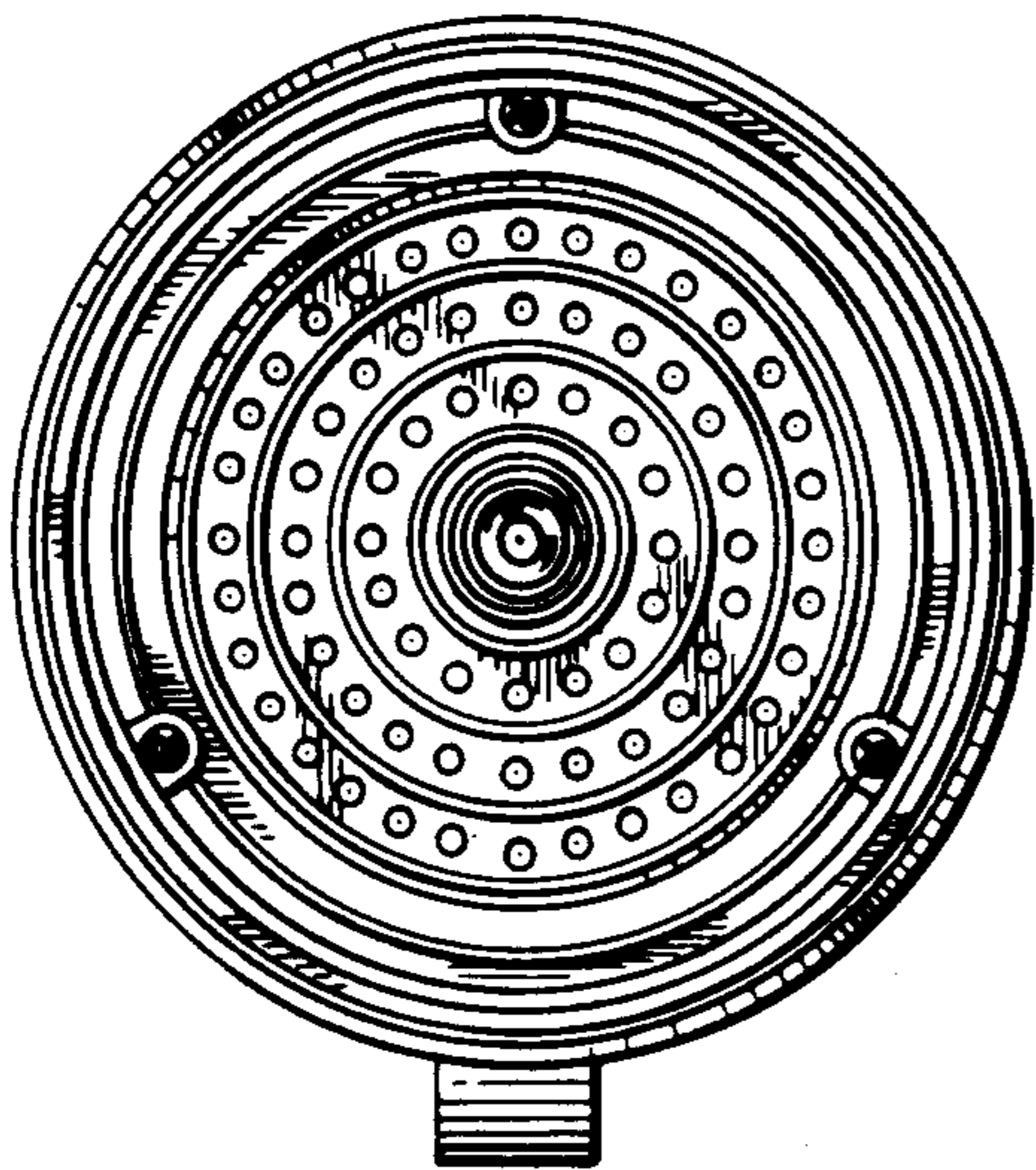


FIG. 4

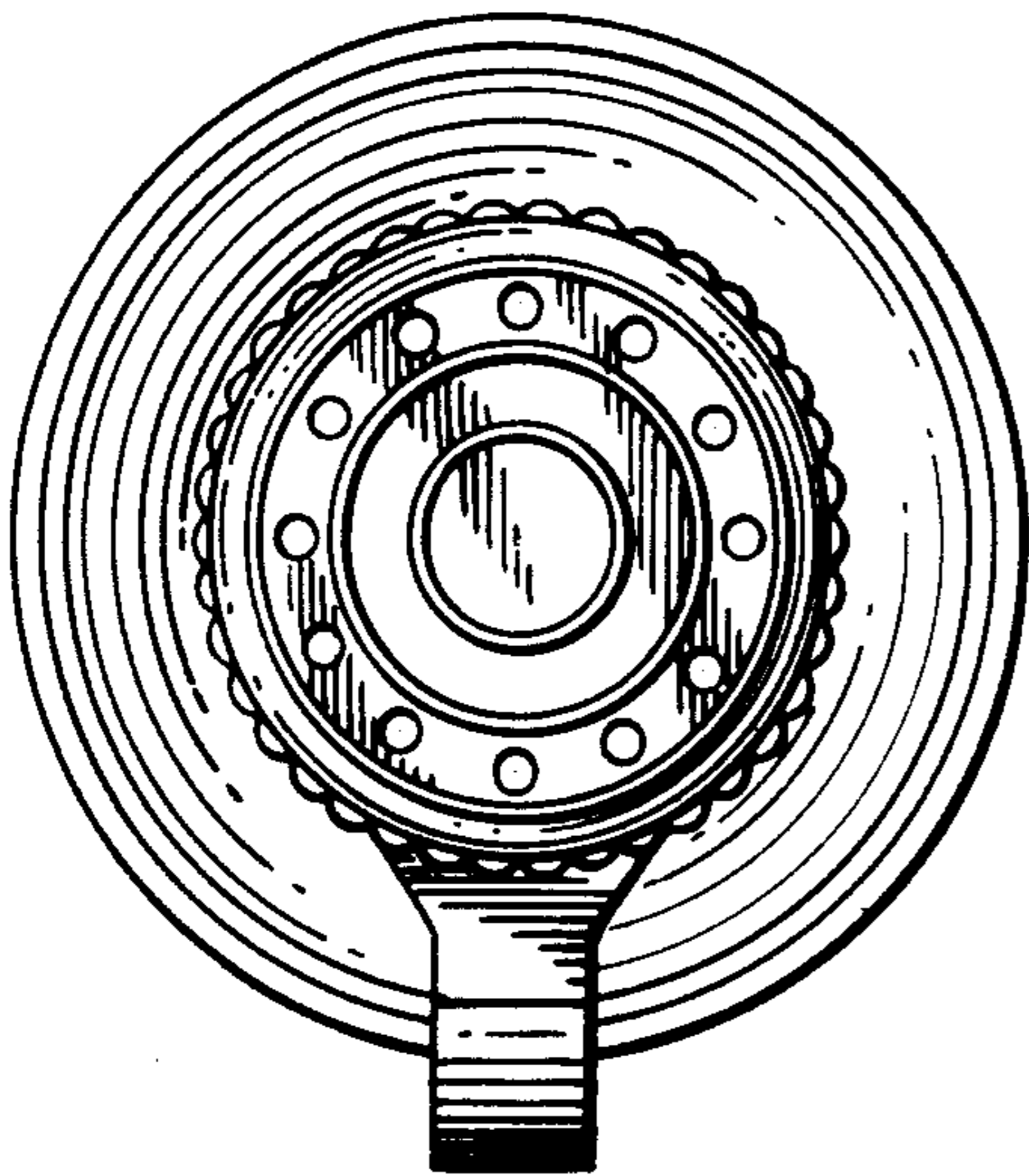
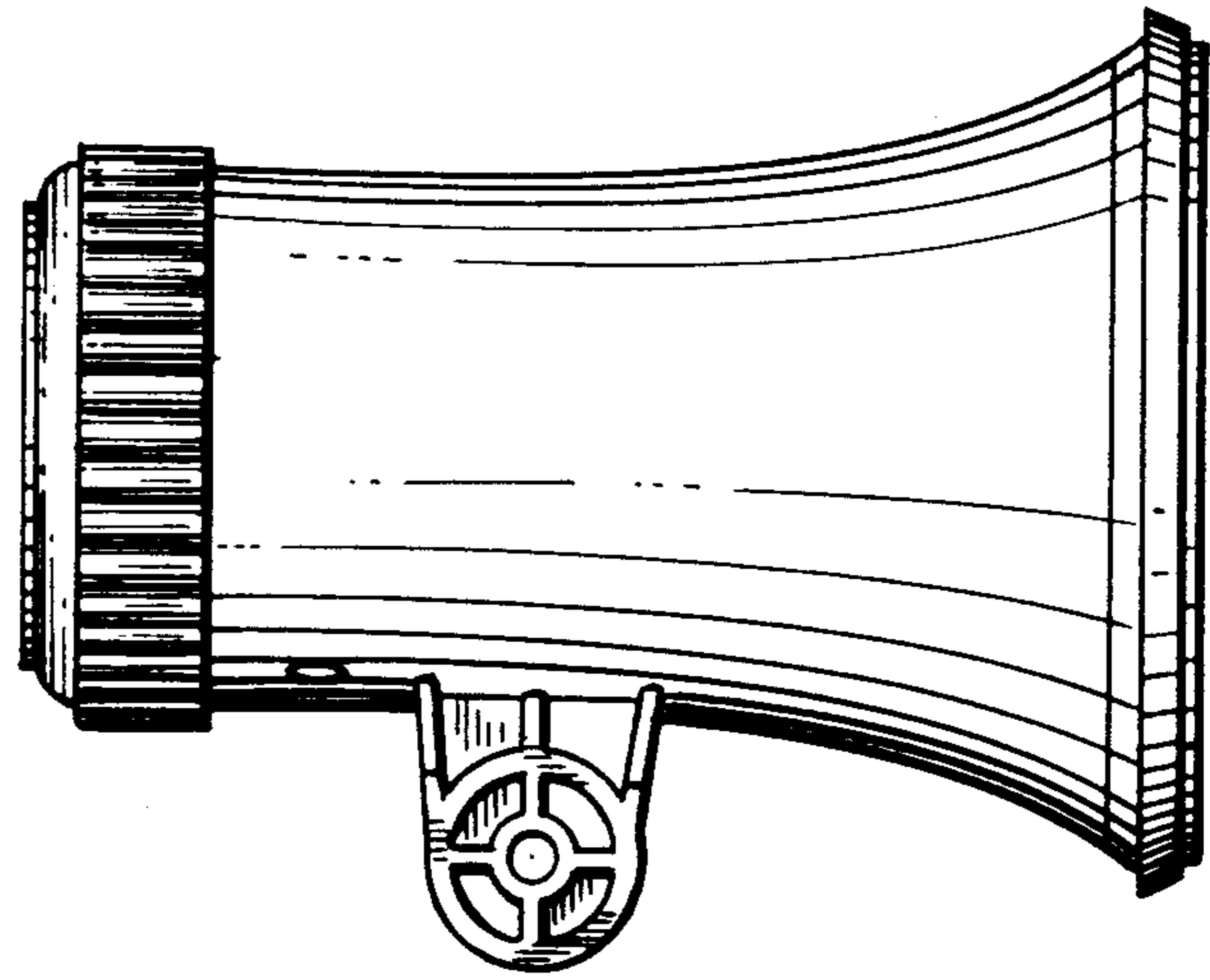


FIG. 5

FIG. 6

