

[54] CAN OPENER

[75] Inventor: Paul Dreyer, Solingen-Widdert, Fed. Rep. of Germany

[73] Assignee: The Prestige Group Limited, London, England

[**] Term: 14 Years

[21] Appl. No.: 798,268

[22] Filed: May 18, 1977

[30] Foreign Application Priority Data

Apr. 6, 1977 [GB] United Kingdom 979620

[51] Int. Cl. D7-99

[52] U.S. Cl. D8/39

[58] Field of Search 30/426, 427; D8/39, D8/40, 41

[56] References Cited

U.S. PATENT DOCUMENTS

- D. 143,647 1/1946 Chandler D8/39
- D. 178,367 7/1956 Hvale D8/39
- D. 184,045 12/1958 Edlund D8/41

- D. 191,046 8/1961 Hvale D8/39
- D. 226,348 2/1973 van der Kroft D8/39
- 4,125,941 11/1978 McKinley 30/427

FOREIGN PATENT DOCUMENTS

- 689222 3/1953 United Kingdom 30/426

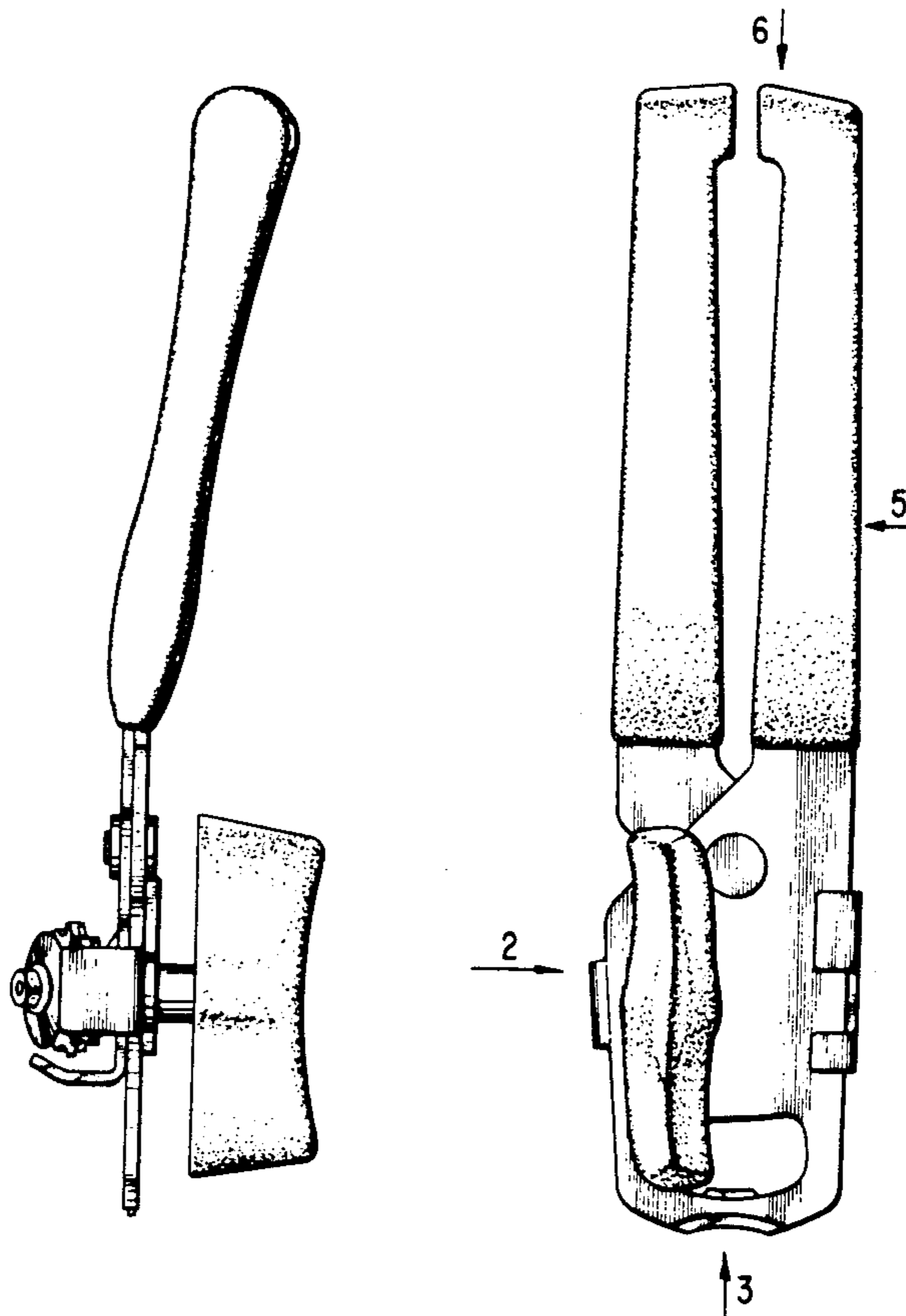
Primary Examiner—Winifred E. Herrmann
Attorney, Agent, or Firm—John W. Routh

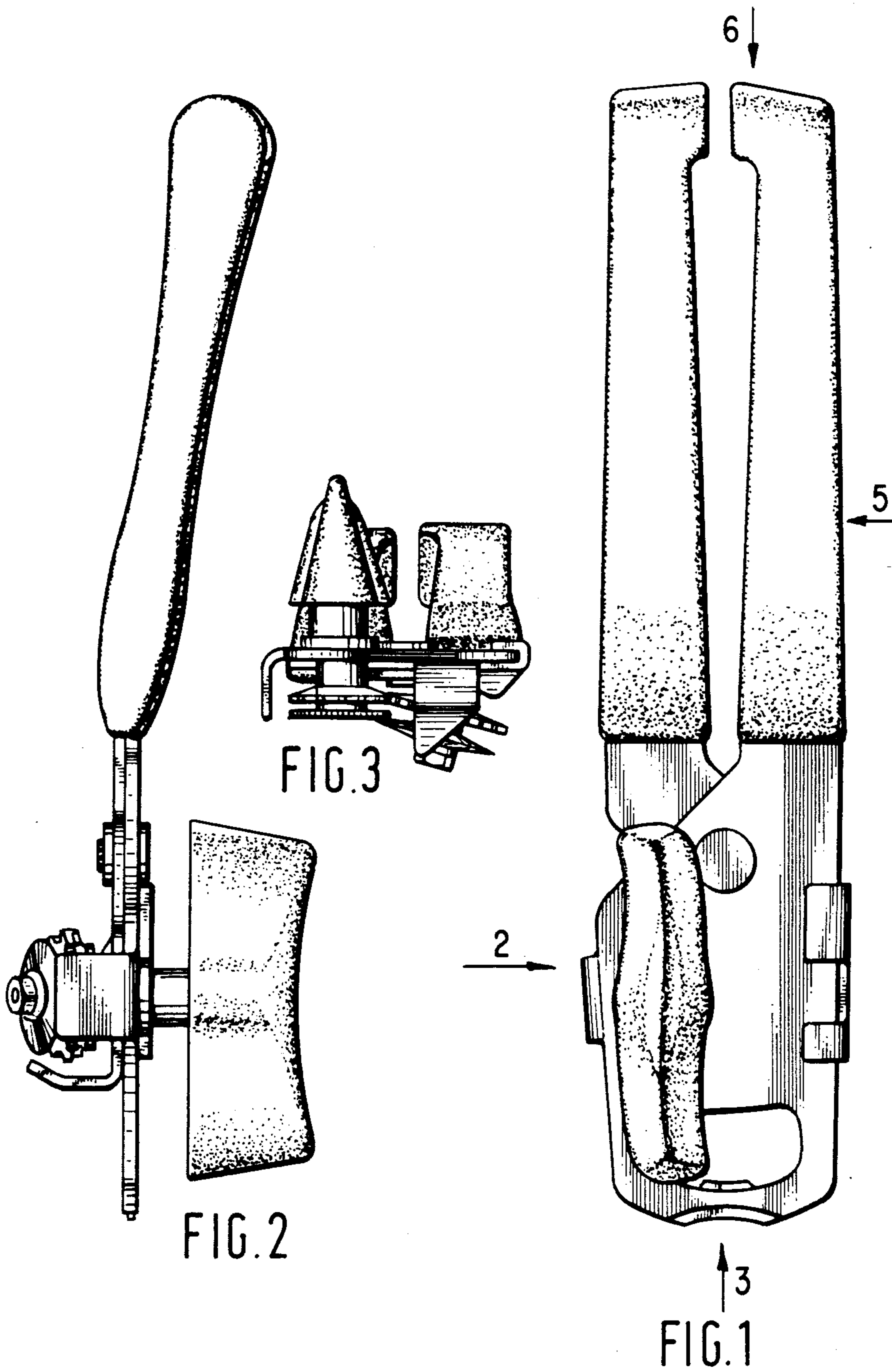
[57] CLAIM

The ornamental design for a can opener, as shown.

DESCRIPTION

FIG. 1 is a top plan view of a can opener embodying my new design;
 FIG. 2 is a side view of the can opener in the direction of arrow 2 of FIG. 1
 FIG. 3 is an end view of the can opener in the direction of arrow 3 of FIG. 1
 FIG. 4 is a bottom plan view of the can opener
 FIG. 5 is a side view of the can opener in the direction of arrow 5 of FIG. 1
 FIG. 6 is an end view of the can opener in the direction of arrow 6 of FIG. 1.





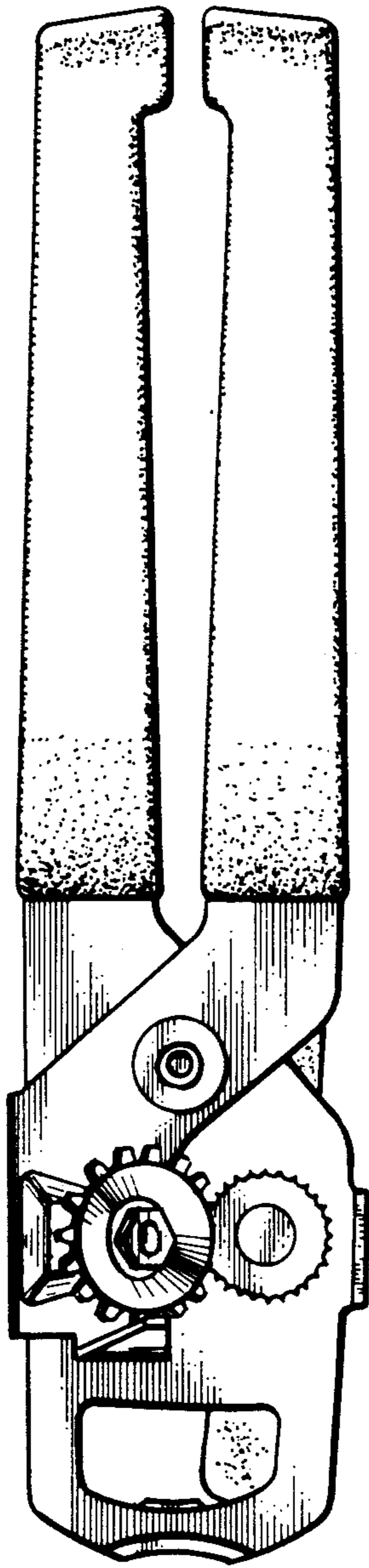


FIG. 4

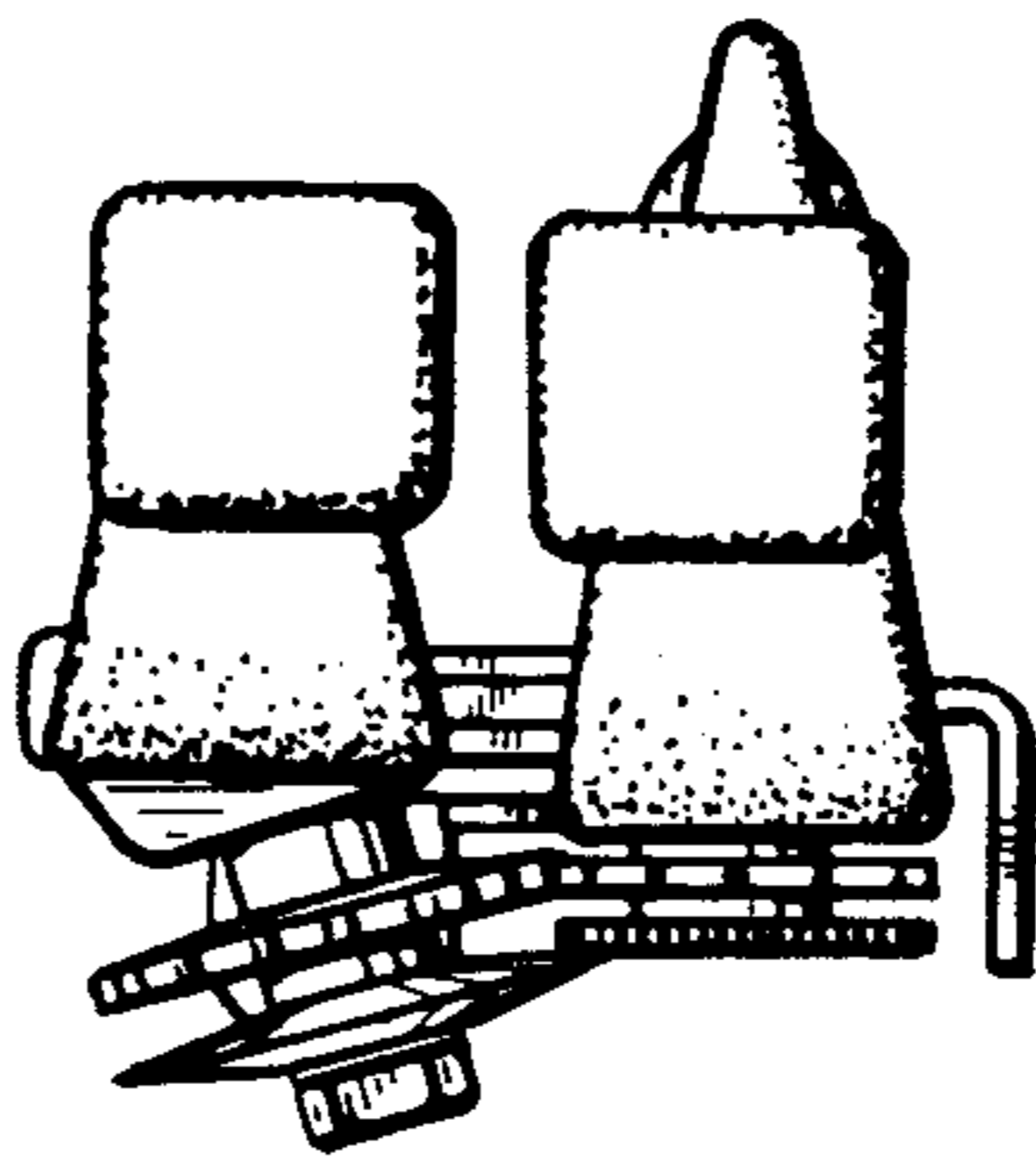


FIG. 6

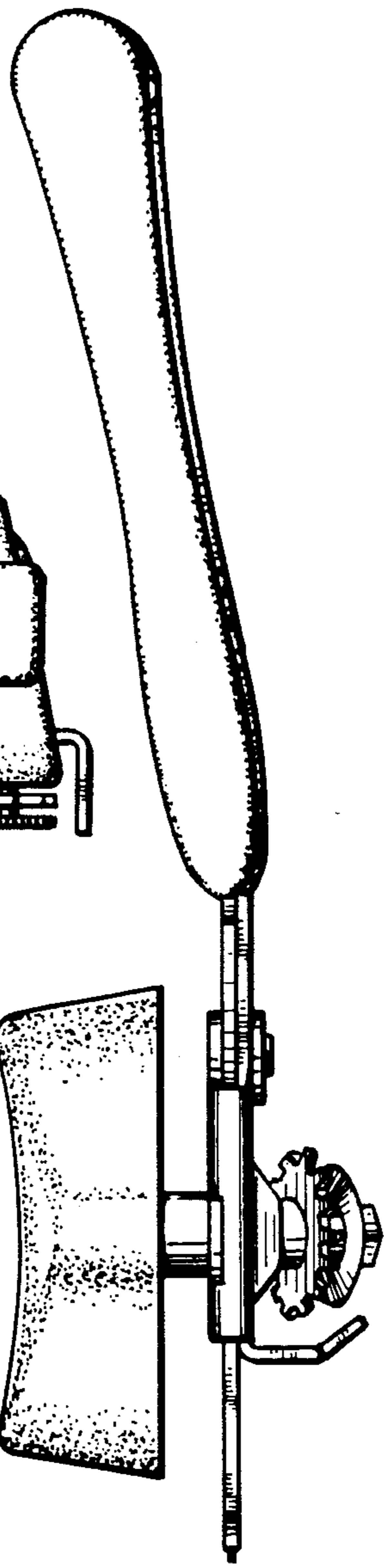


FIG. 5