

[54] ELECTRIC PRESSURE COOKER

[75] Inventors: Melvin H. Boldt, Glenview; Thurber H. Morrison, Evanston; James P. Stevens, Oak Park, all of Ill.

[73] Assignee: National Presto Industries, Inc., Eau Claire, Wis.

[**] Term: 14 Years

[21] Appl. No.: 774,581

[22] Filed: Mar. 7, 1977

[51] Int. Cl. D7-02

[52] U.S. Cl. D7/86

[58] Field of Search D7/85, 86, 94, 97, 96; 220/298; 99/403

[56] References Cited

U.S. PATENT DOCUMENTS

D. 141,818	7/1945	Kendall	D7/86
D. 176,002	11/1955	Bolt	D7/94
D. 182,786	5/1958	Boldt	D7/94
D. 202,720	11/1965	Ostborg et al.	D7/17
D. 232,148	7/1974	Yarrington	D7/94
2,218,188	10/1940	Wittenberg	D7/86 X
2,368,795	2/1945	Wittenberg	220/298
2,584,759	2/1952	Swenson	220/298

FOREIGN PATENT DOCUMENTS

803850	4/1951	Fed. Rep. of Germany	99/403
106768	12/1923	Switzerland	220/298

OTHER PUBLICATIONS

House & Garden, May, 1973, p. 155, West Bend adv., top left Elec. Dish.

Euromat-s Schnellkocher Brochure, 2 sheets, pressure cooker shown.

Primary Examiner—Winifred E. Herrmann

Attorney, Agent, or Firm—John A. Diener

[57] CLAIM

The ornamental design for an electric pressure cooker, substantially as shown and described.

DESCRIPTION

FIG. 1 is an elevational view of an electric pressure cooker showing our new design;

FIG. 2 is an elevational view thereof as viewed from the left-hand side of FIG. 1;

FIG. 3 is an elevational view thereof as viewed from the right-hand side of FIG. 1;

FIG. 4 is a top plan view thereof; and

FIG. 5 is an elevational view thereof of the side opposite to that viewed in FIG. 1, a portion of its cover being fragmented to illustrate the disposition of the pressure regulator within a recessed area thereof.

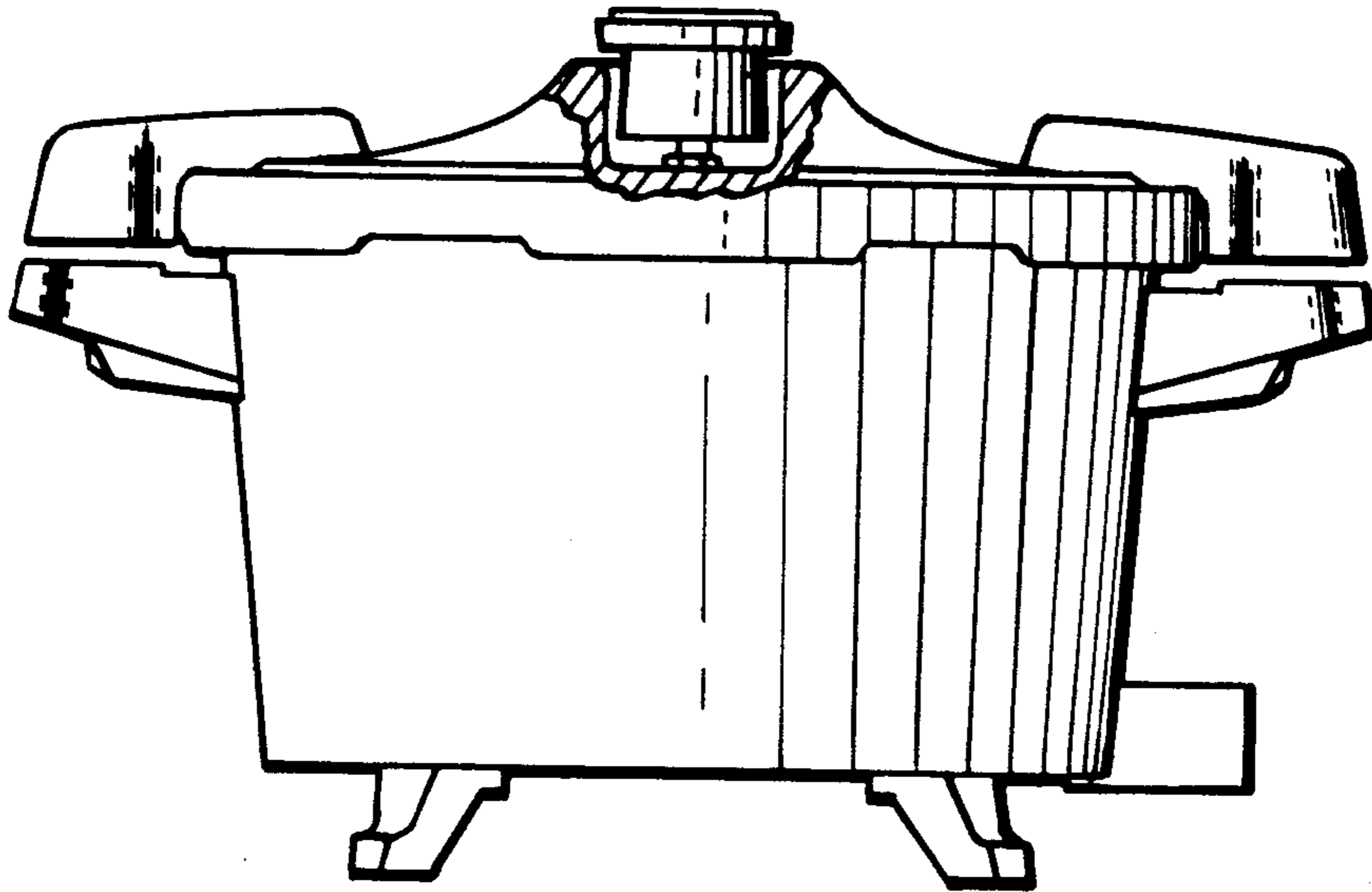


Fig. 1

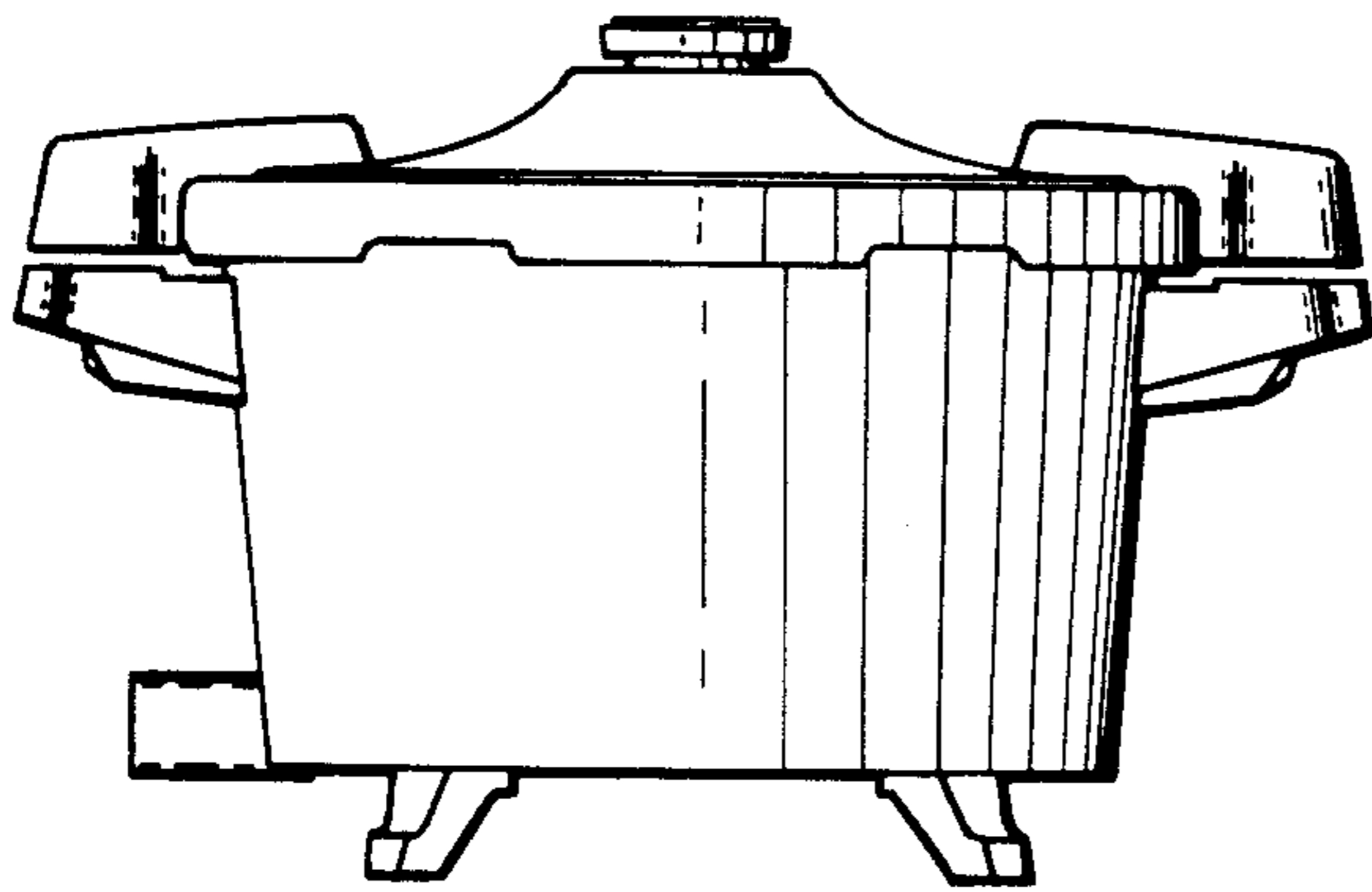


Fig. 2

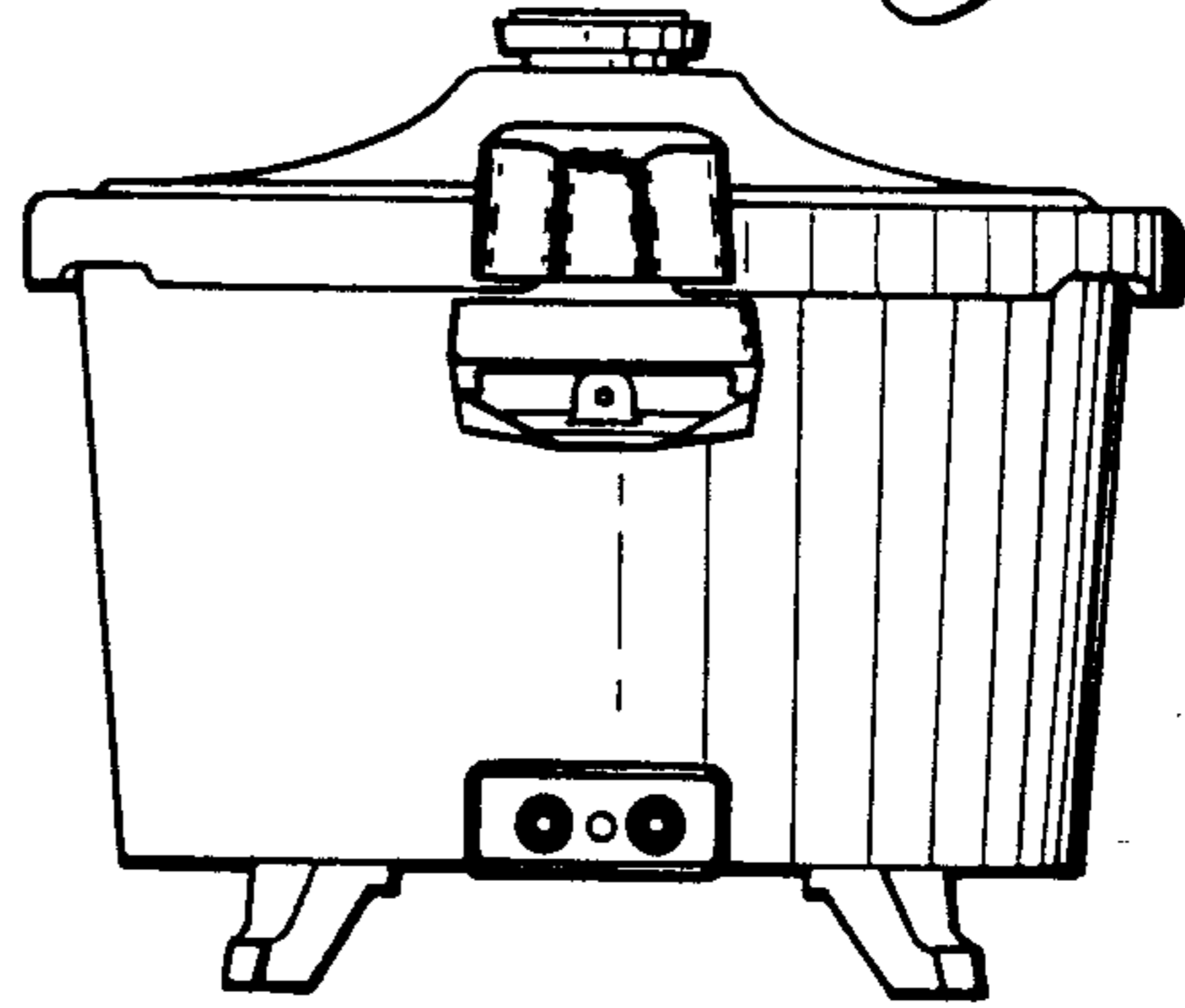


Fig. 4

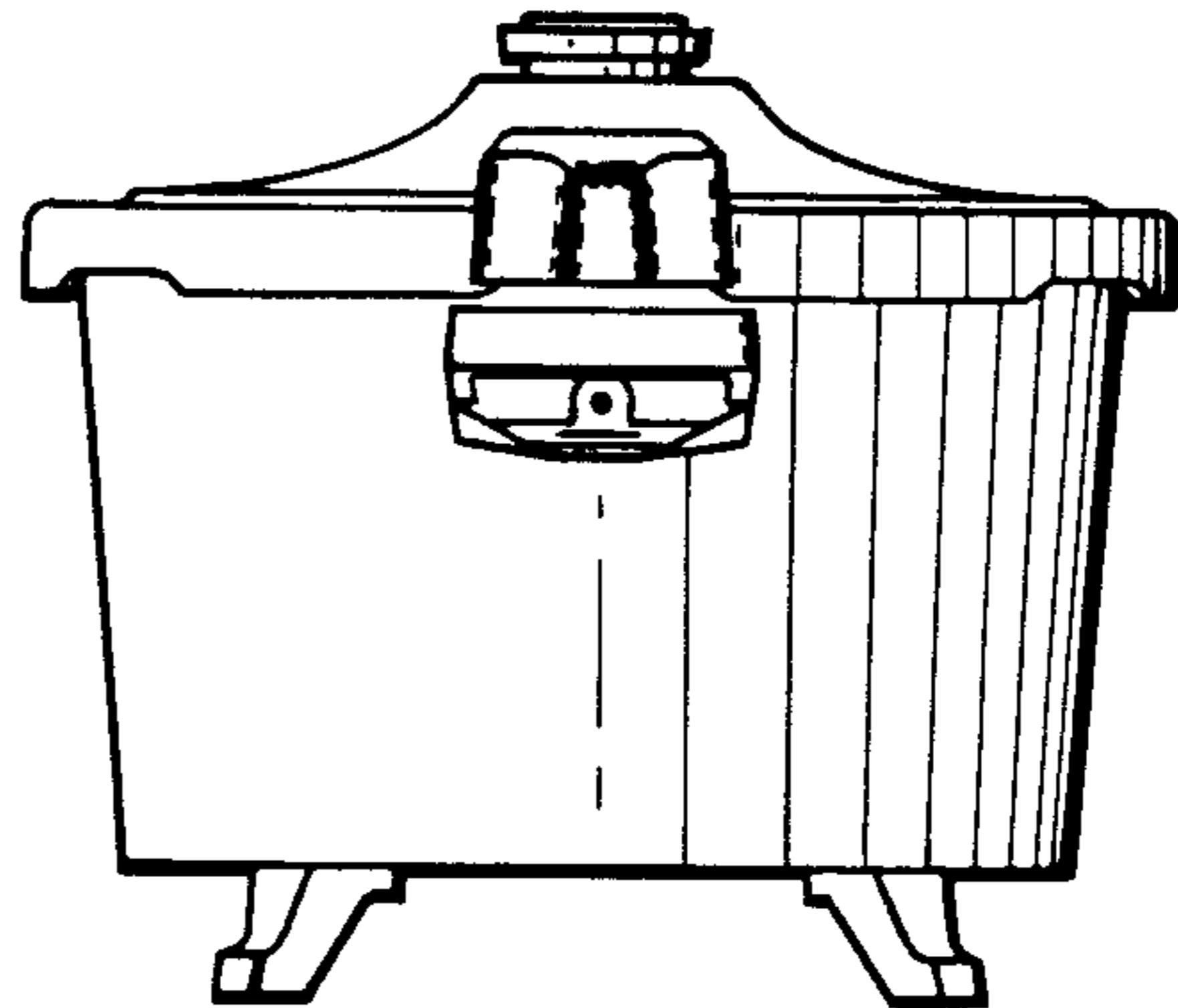
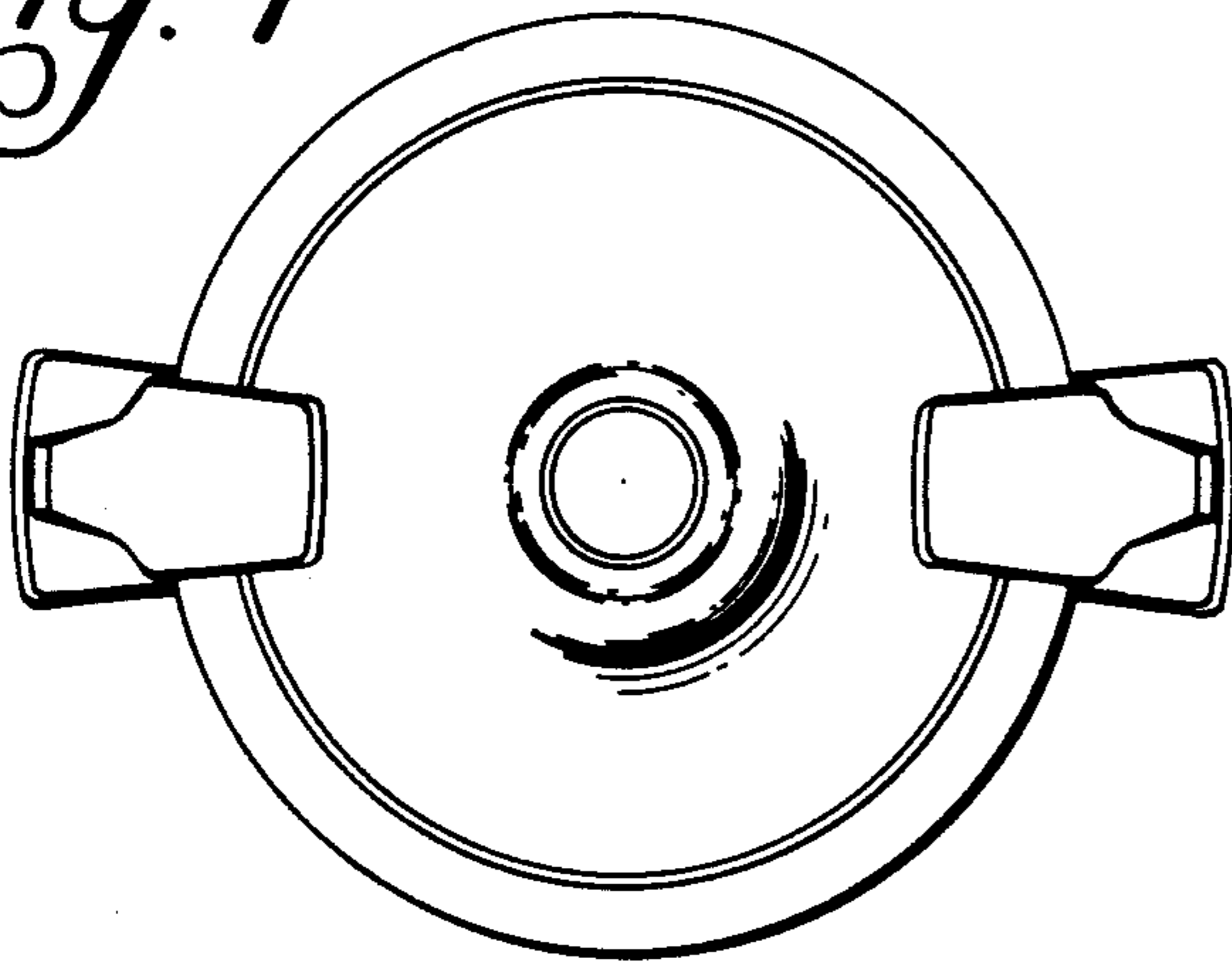


Fig. 3

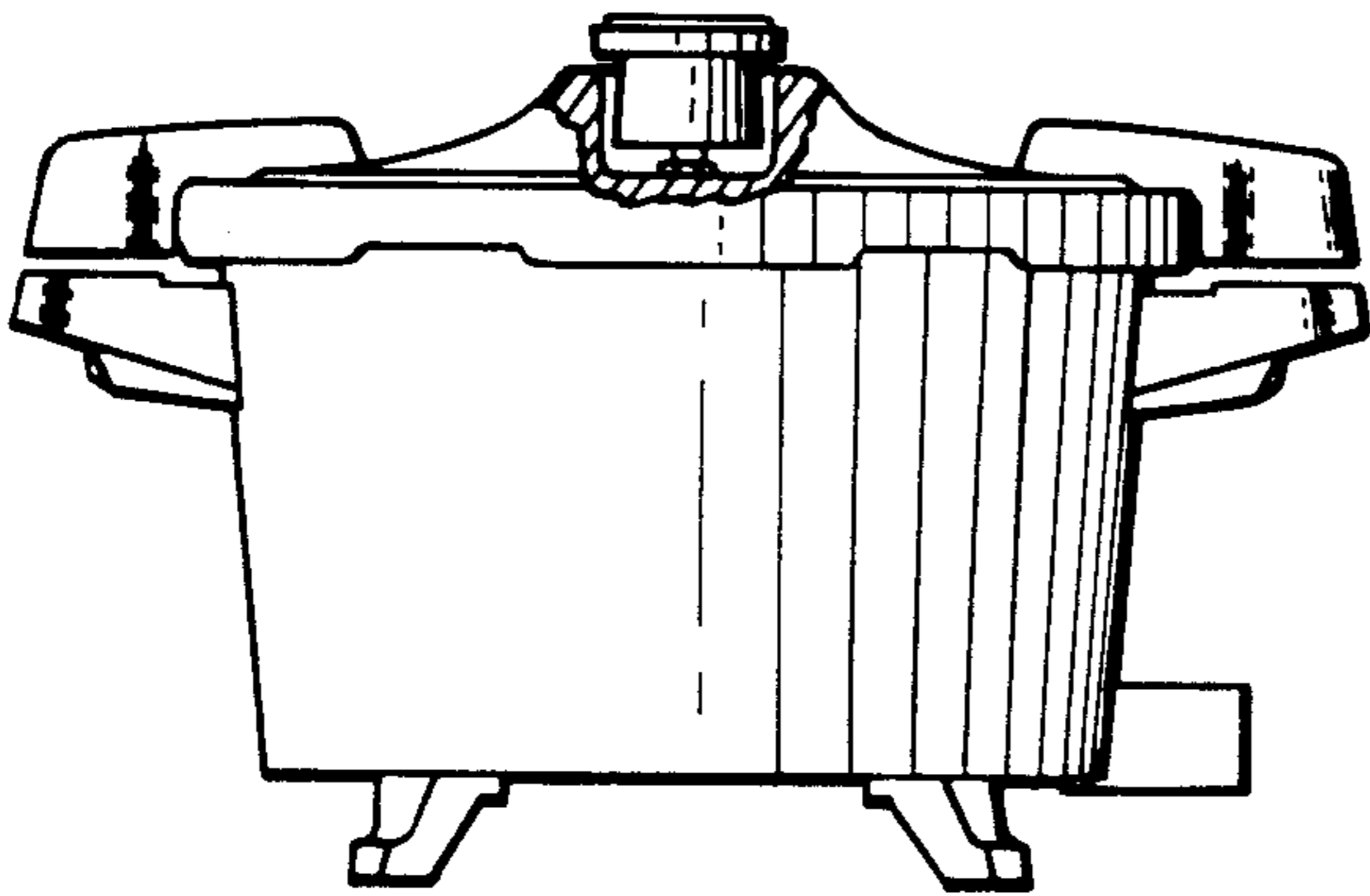


Fig. 5