

[54] TISSUE HOLDER

[75] Inventor: Raymond U. H. Tegner, Lodi, Wis.

[73] Assignee: Amerock Corporation, Rockford, Ill.

[\*\*] Term: 14 Years

[21] Appl. No.: 841,542

[22] Filed: Oct. 12, 1977

[51] Int. Cl. .... D23-02

[52] U.S. Cl. .... D6/97

[58] Field of Search ..... D6/86-94,  
D6/96-103, 113, 114; 206/389, 391, 394, 407;  
211/87, 88; 242/55.2, 55.3, 55.42, 55.53, 55.54,  
55.55, 137, 138, 139; 312/39, 40

[56] References Cited

U.S. PATENT DOCUMENTS

D. 53,557 7/1919 Baker ..... D6/90

D. 196,900 11/1963 Schreckengost ..... D6/97  
D. 228,849 10/1973 Firdmann ..... D6/97

Primary Examiner—Wallace R. Burke

Assistant Examiner—B. J. Bullock

Attorney, Agent, or Firm—C. Frederick Leydig

[57] CLAIM

The ornamental design for a tissue holder, as shown and described.

DESCRIPTION

FIG. 1 is a reduced perspective view of a tissue holder incorporating my new design;

FIG. 2 is a top plan view thereof;

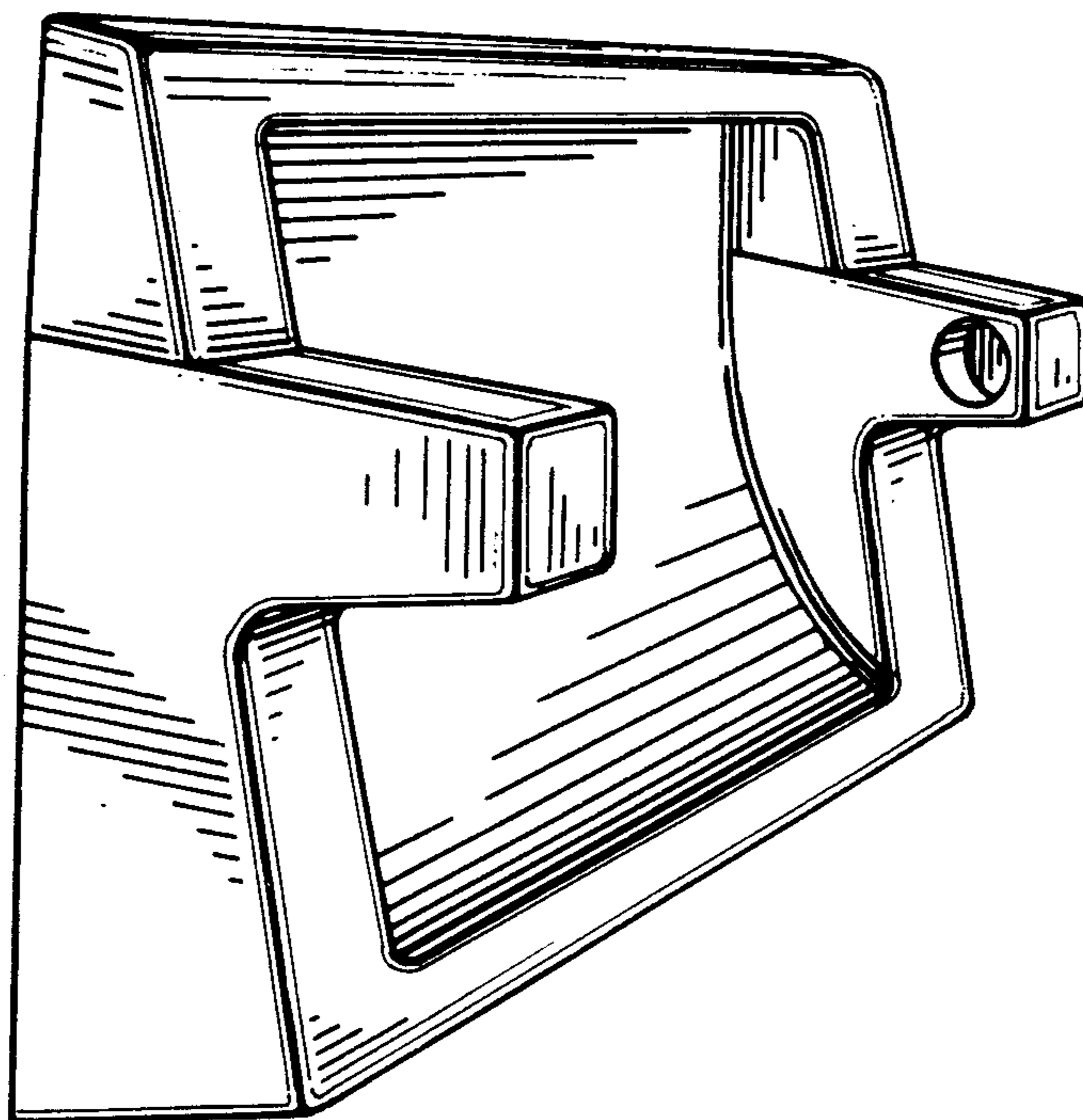
FIG. 3 is a front elevational view thereof;

FIG. 4 is a side elevational view taken from the right of

FIG. 3, the side opposite being a mirror image thereof;

FIG. 5 is a sectional view taken in the direction of the arrows on line 5-5 of FIG. 3.

The rear of the tissue holder is flat and unornamented.



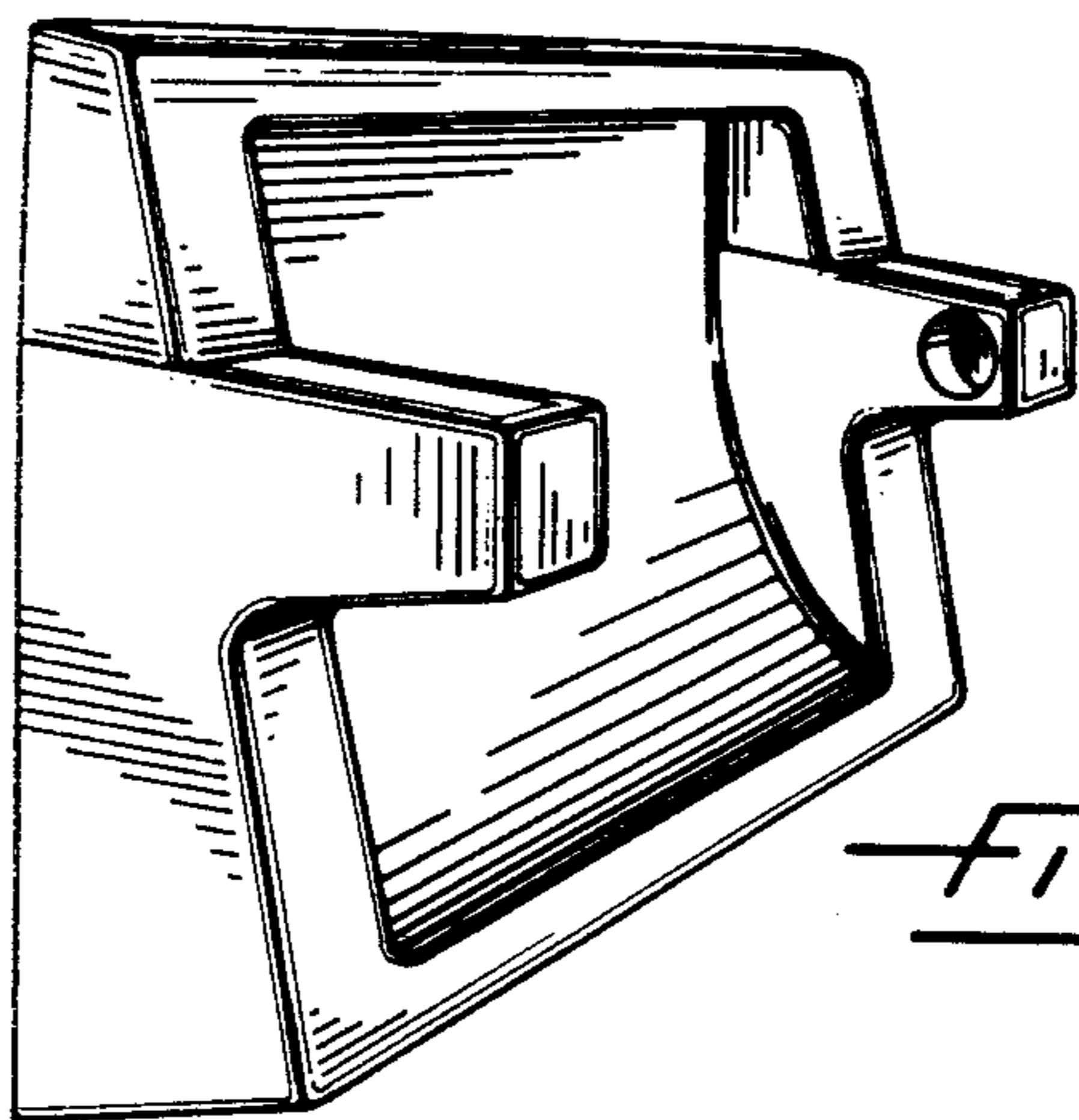


FIG. 1.

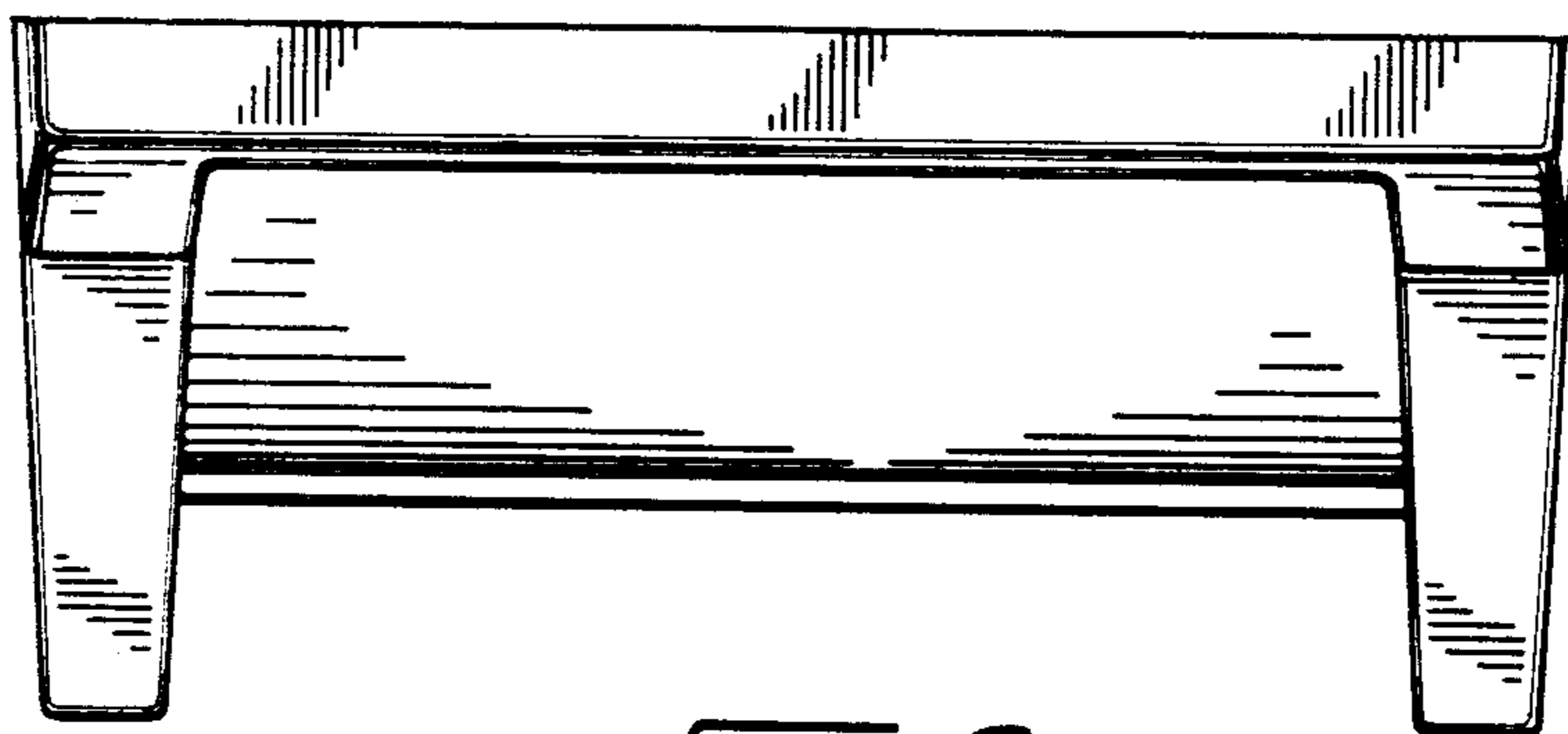


FIG. 2.

5

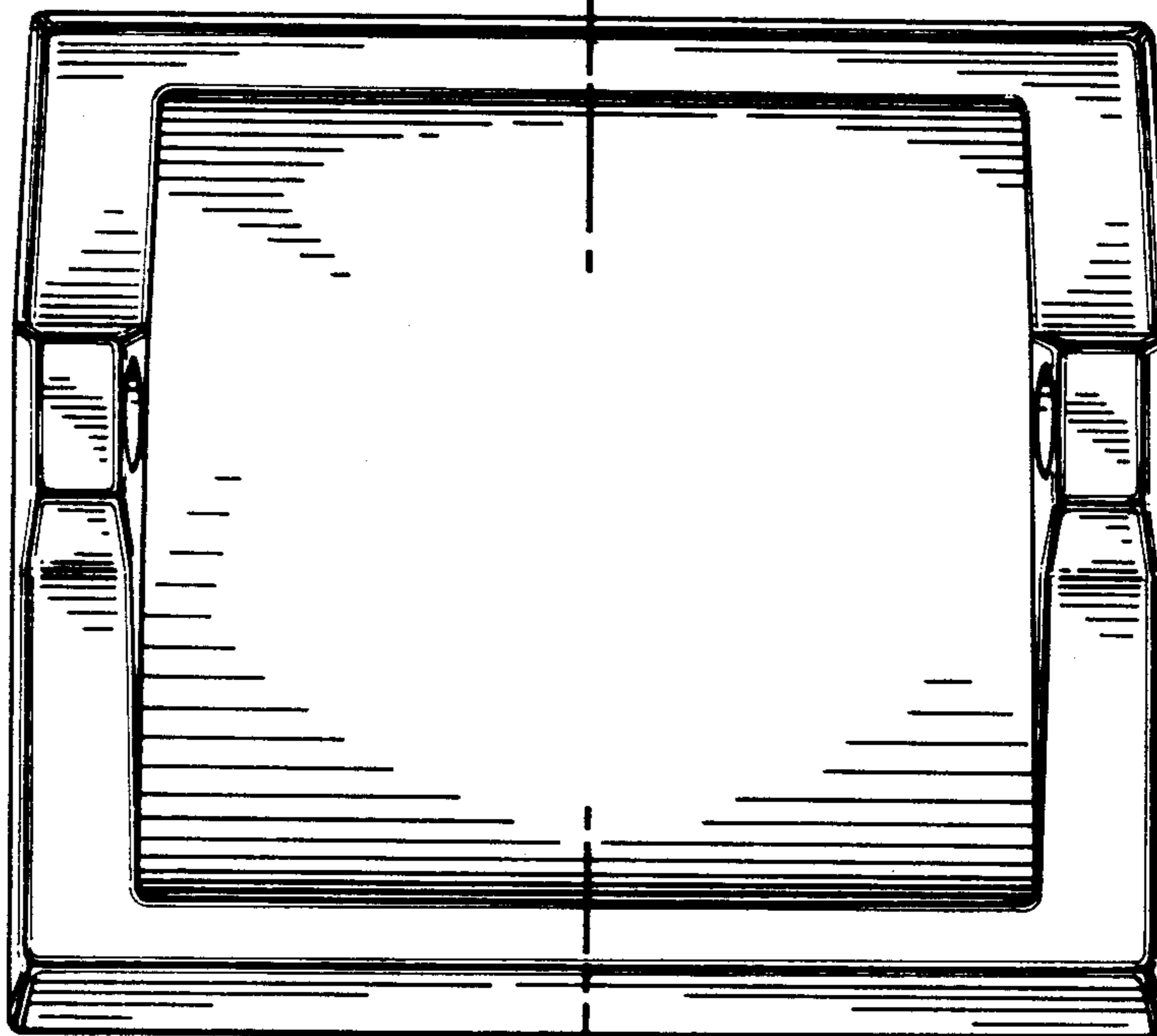


FIG. 3.

