

[54] **HARDWARE SUPPORT**

[75] Inventor: **Teresa R. B. Pittenger**, Rockford, Ill.

[73] Assignee: **Amerock Corporation**, Rockford, Ill.

[**] Term: **14 Years**

[21] Appl. No.: **925,566**

[22] Filed: **Jul. 17, 1978**

[51] Int. Cl. **D23-02; D8-08**

[52] U.S. Cl. **D6/86; D6/90; D6/97; D6/103; D6/122; D8/367**

[58] Field of Search **D8/300-302, D8/305-307, 310-322, 350-353, 367; D6/86, 89, 90, 93, 97, 99, 103, 120, 122; 16/110 R, 121, 124-127; 292/347, 357**

[56] **References Cited**

U.S. PATENT DOCUMENTS

D. 43,534	2/1913	Hawley	D8/350
D. 49,921	11/1916	Dow	D6/122
D. 116,450	9/1939	Lux	D6/122
D. 150,751	8/1948	Bozoti	D6/103
D. 209,500	12/1967	Anderson	D8/363
D. 209,501	12/1967	Anderson	D8/363
1,018,817	2/1912	Farrell	D6/97
2,891,348	6/1959	Blagg	D6/89

Primary Examiner—Wallace R. Burke

Assistant Examiner—B. J. Bullock

Attorney, Agent, or Firm—C. Frederick Leydig

[57] **CLAIM**

The ornamental design for a hardware support, as shown and described.

DESCRIPTION

FIG. 1 is a side elevational view of hardware support as embodied in a garment hook and incorporating my new design.

FIG. 2 is a front elevational view of FIG. 1;

FIG. 3 is a top plan view of FIG. 1;

FIG. 4 is a rear elevational view of FIG. 1;

FIG. 5 is a sectional view taken along the line 5—5 in FIG. 1.

FIG. 6 is a sectional view taken along the line 6—6 in FIG. 1.

FIG. 7 is a side elevational view of hardware support as

embodied in a soap dish holder and incorporating my new design.

FIG. 8 is a front elevational view of FIG. 7;

FIG. 9 is a top plan view of FIG. 7;

FIG. 10 is a bottom plan view of FIG. 7;

FIG. 11 is a rear elevational view of FIG. 7;

FIG. 12 is a sectional view taken along the line 12—12 in FIG. 7.

FIG. 13 is a sectional view taken along the line 13—13 in FIG. 7.

FIG. 14 is a sectional view taken along the line 14—14 in FIG. 7.

FIG. 15 is a side elevational view of hardware support as embodied in a tissue roll holder and incorporating my new design;

FIG. 16 is a front elevational view of FIG. 15;

FIG. 17 is a top plan view of FIG. 15;

FIG. 18 is a rear elevational view of FIG. 15;

FIG. 19 is a sectional view taken along the line 19—19 in FIG. 15.

FIG. 20 is a sectional view taken along the line 20—20 in FIG. 15.

FIG. 21 is a sectional view taken along the line 21—21 in FIG. 15.

FIG. 22 is a side elevational view of hardware support as embodied in a towel bar bracket incorporating my new design.

FIG. 23 is a front elevational view of FIG. 22;

FIG. 24 is a top plan view of FIG. 22,

FIG. 25 is a rear elevational view of FIG. 22,

FIG. 26 is a sectional view taken along the line 26—26 in FIG. 22.

FIG. 27 is a sectional view taken along the line 27—27 in FIG. 22.

FIG. 28 is a sectional view taken along the line 28—28 in FIG. 22.

FIG. 29 is a side elevational view of hardware support as embodied in a towel ring holder and incorporating my new design.

FIG. 30 is a front elevational view of FIG. 29;

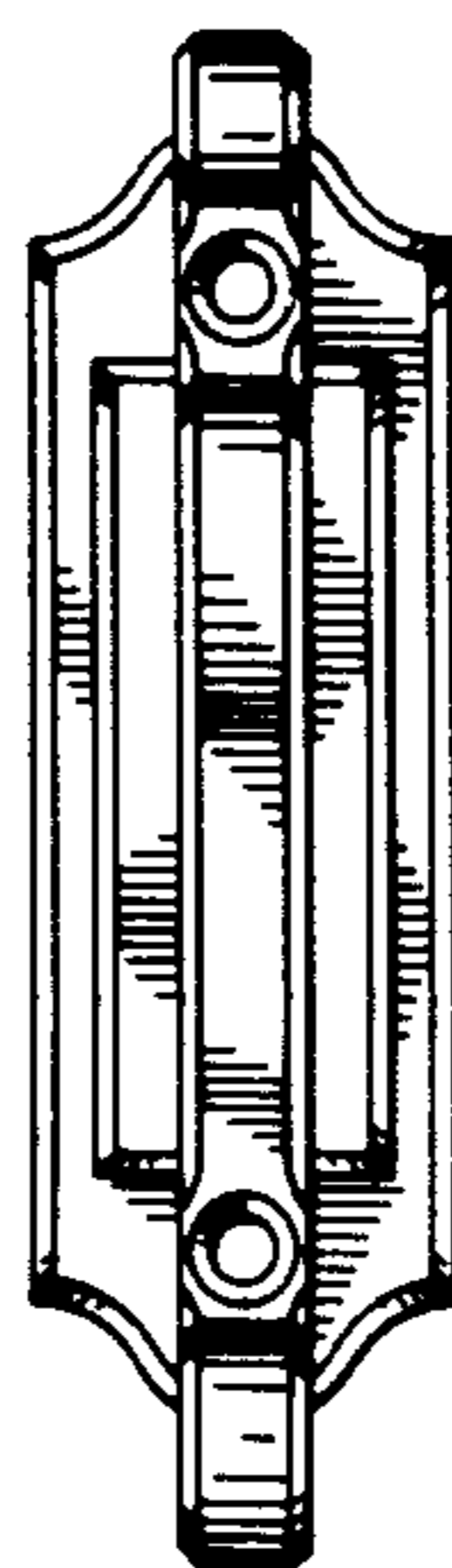
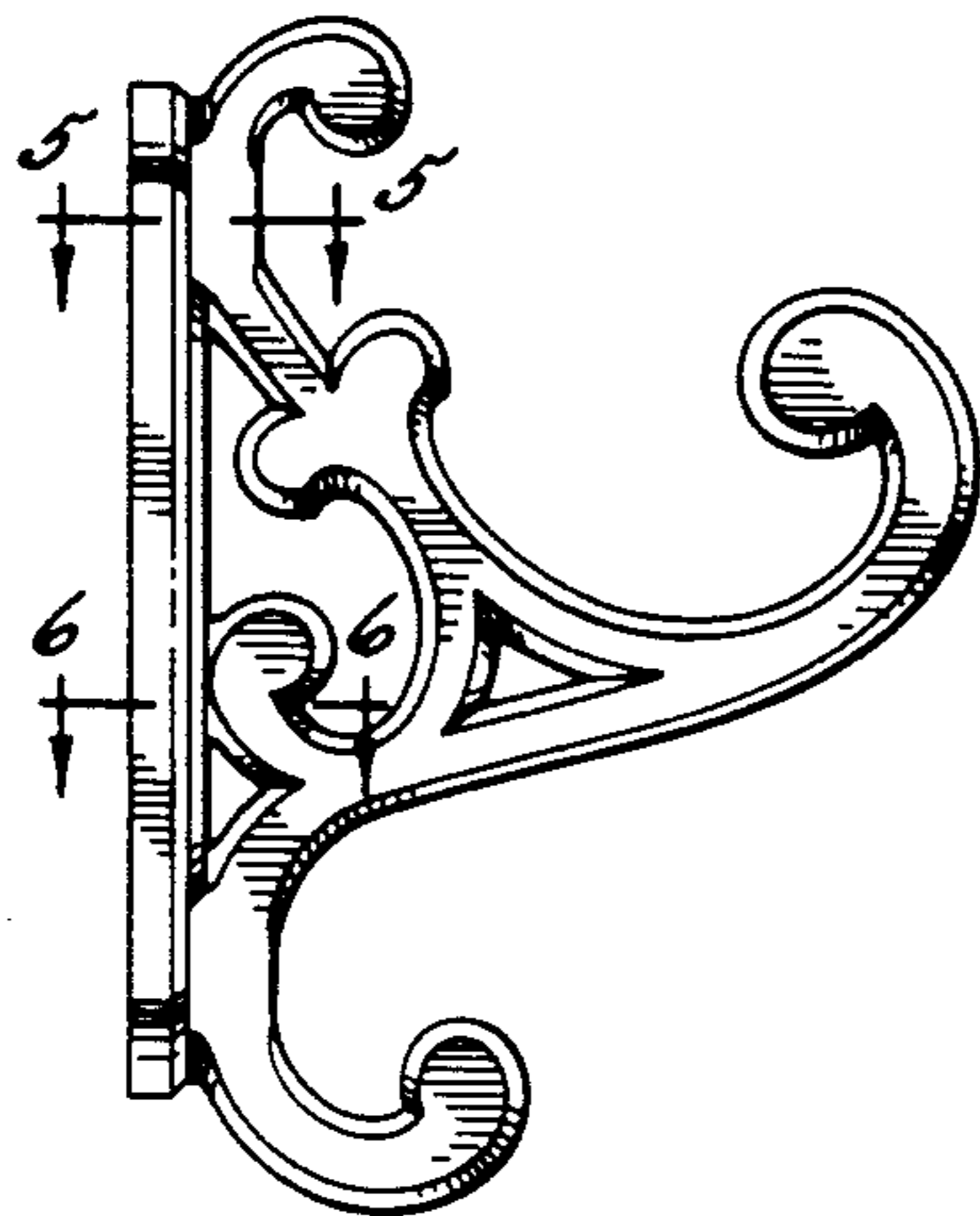
FIG. 31 is a top plan view of FIG. 29;

FIG. 32 is a rear elevational view of FIG. 29.

FIG. 33 is a sectional view taken along the line 33—33 in FIG. 29.

FIG. 34 is a sectional view taken along the line 34—34 in FIG. 29.

FIG. 35 is a sectional view taken along the line 35—35 in FIG. 29.



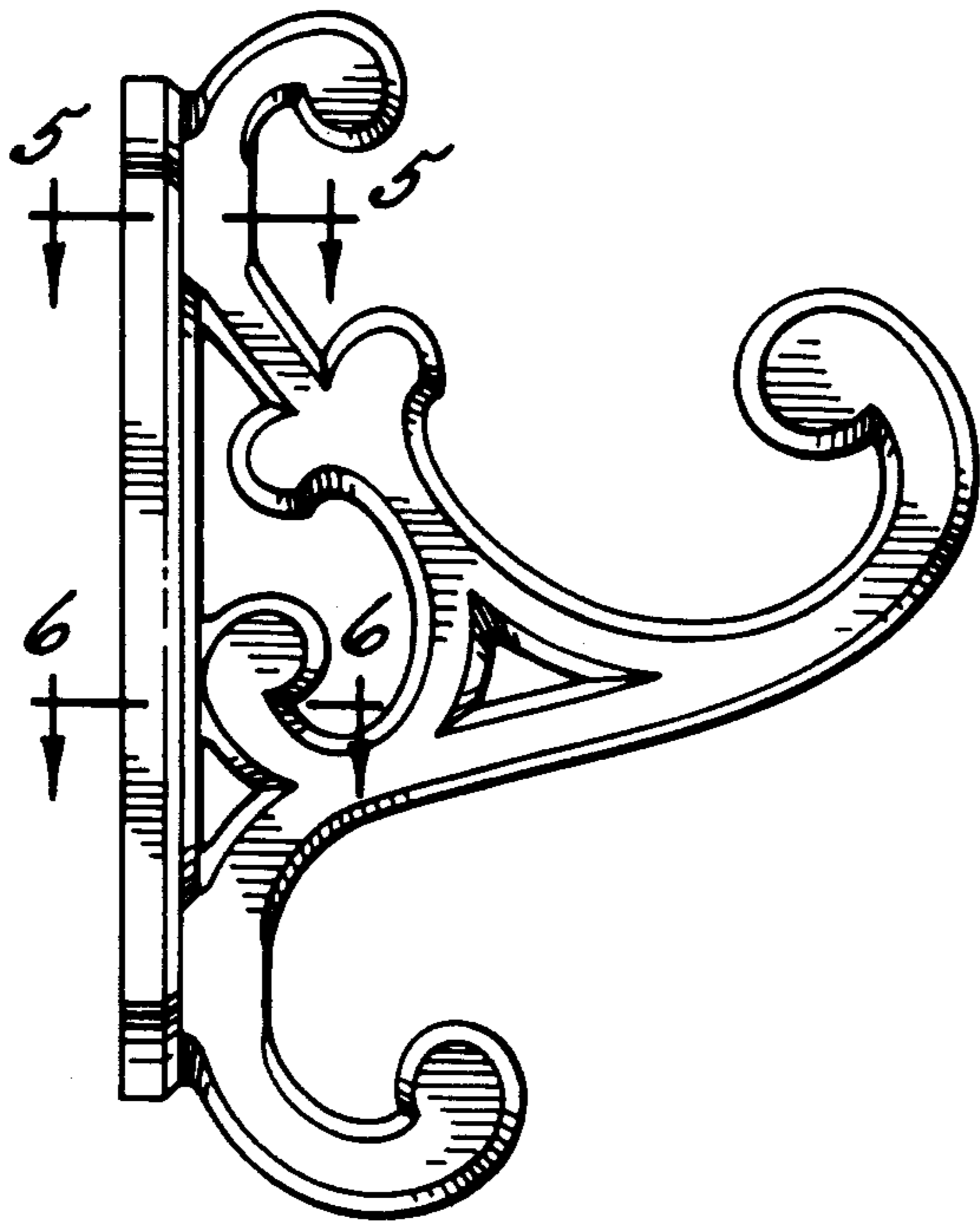


FIG. 1.

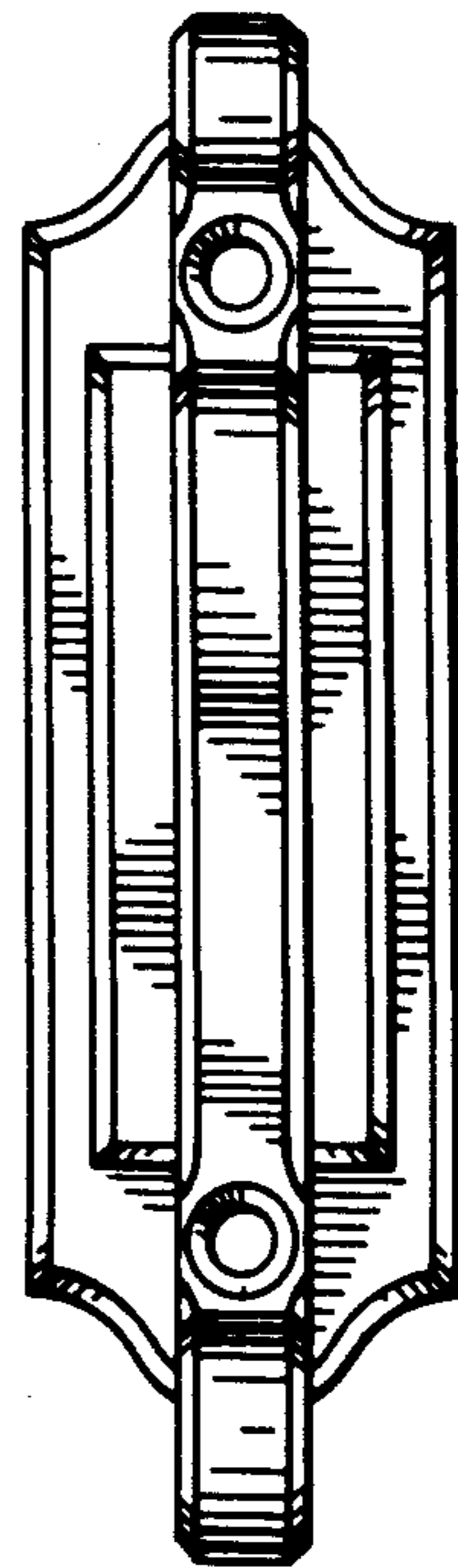


FIG. 2.

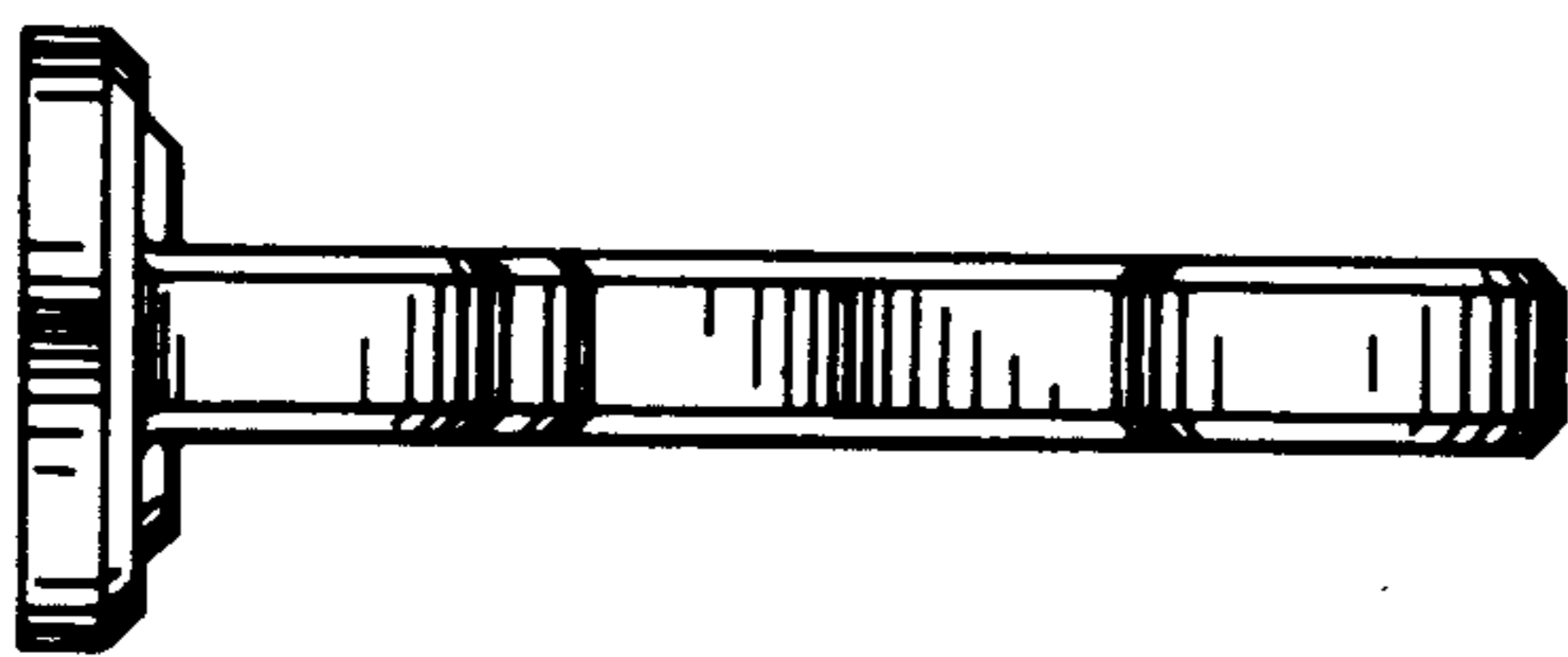


FIG. 3.

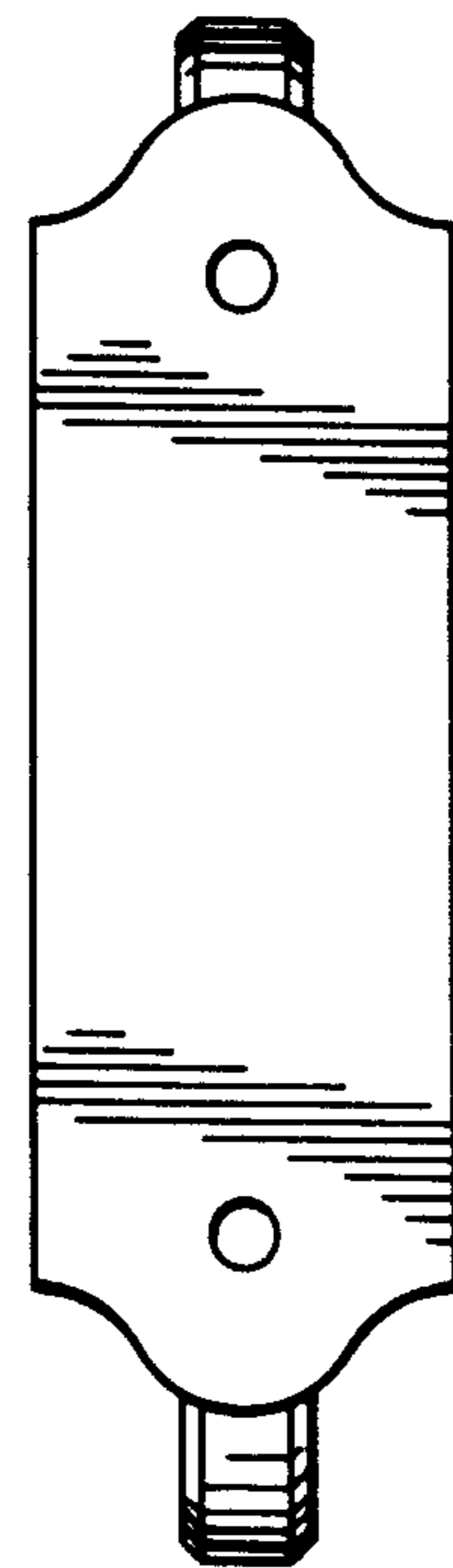


FIG. 4.



FIG. 5.

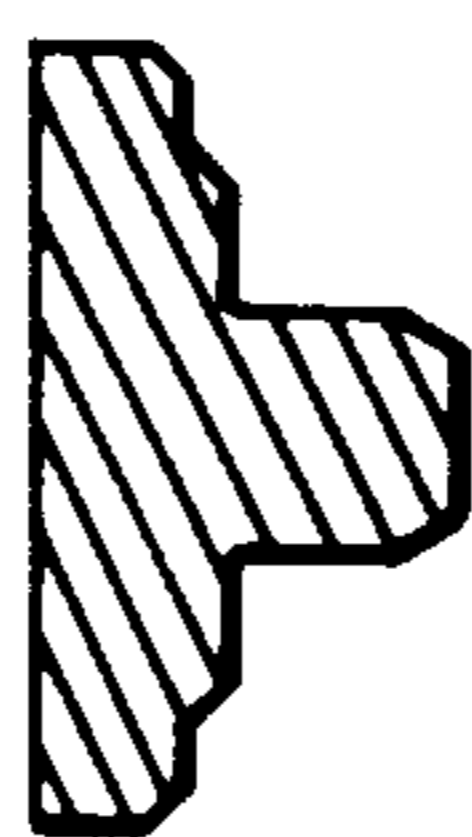


FIG. 6.

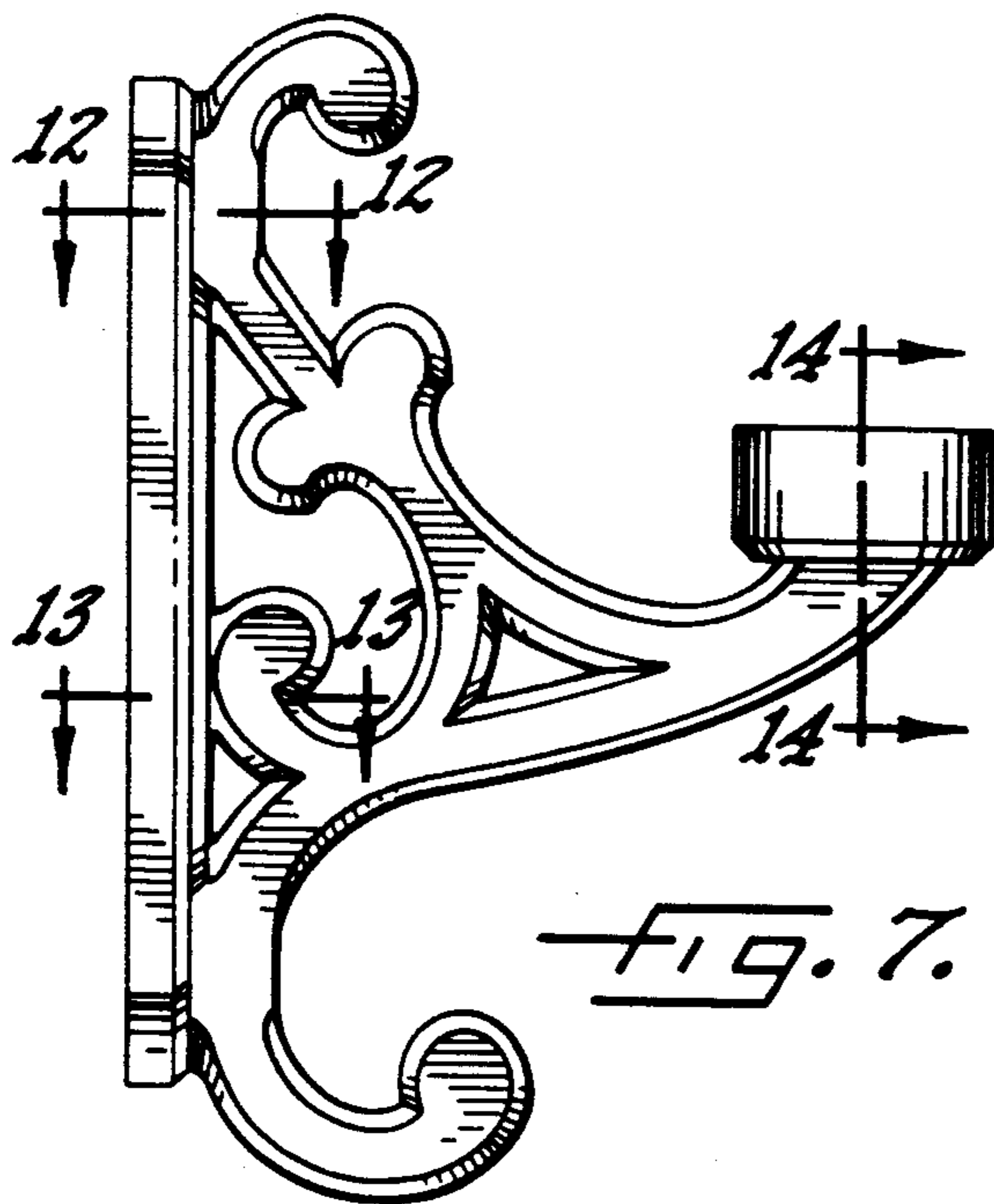


FIG. 7.

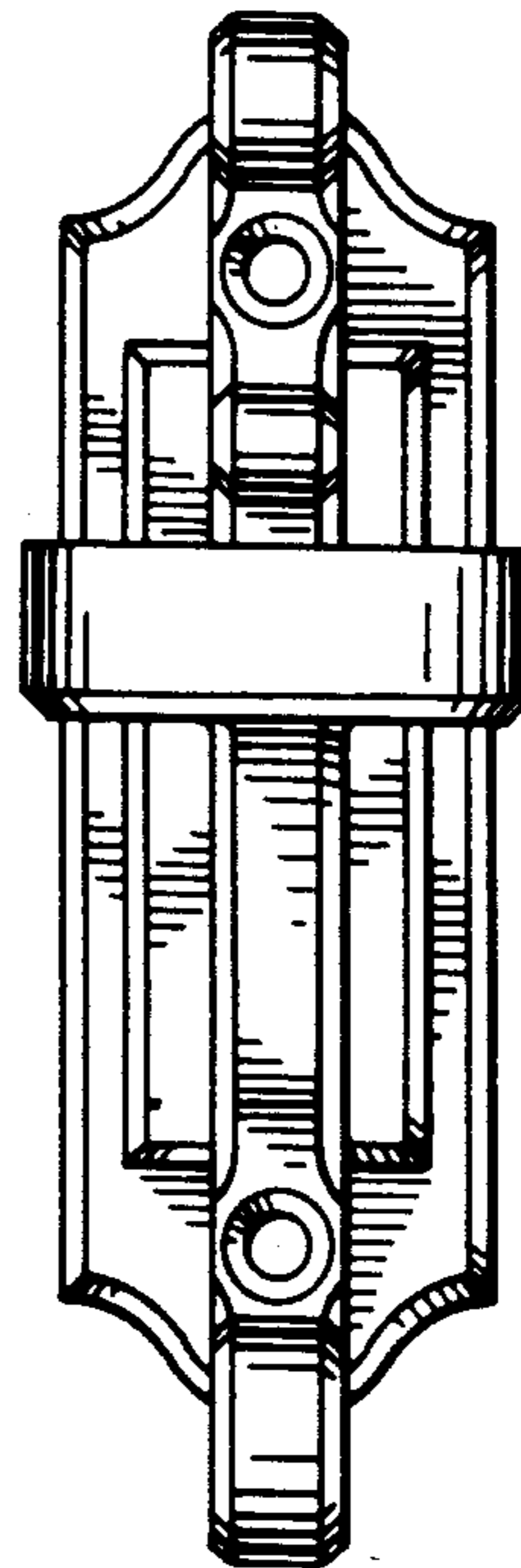


FIG. 8.

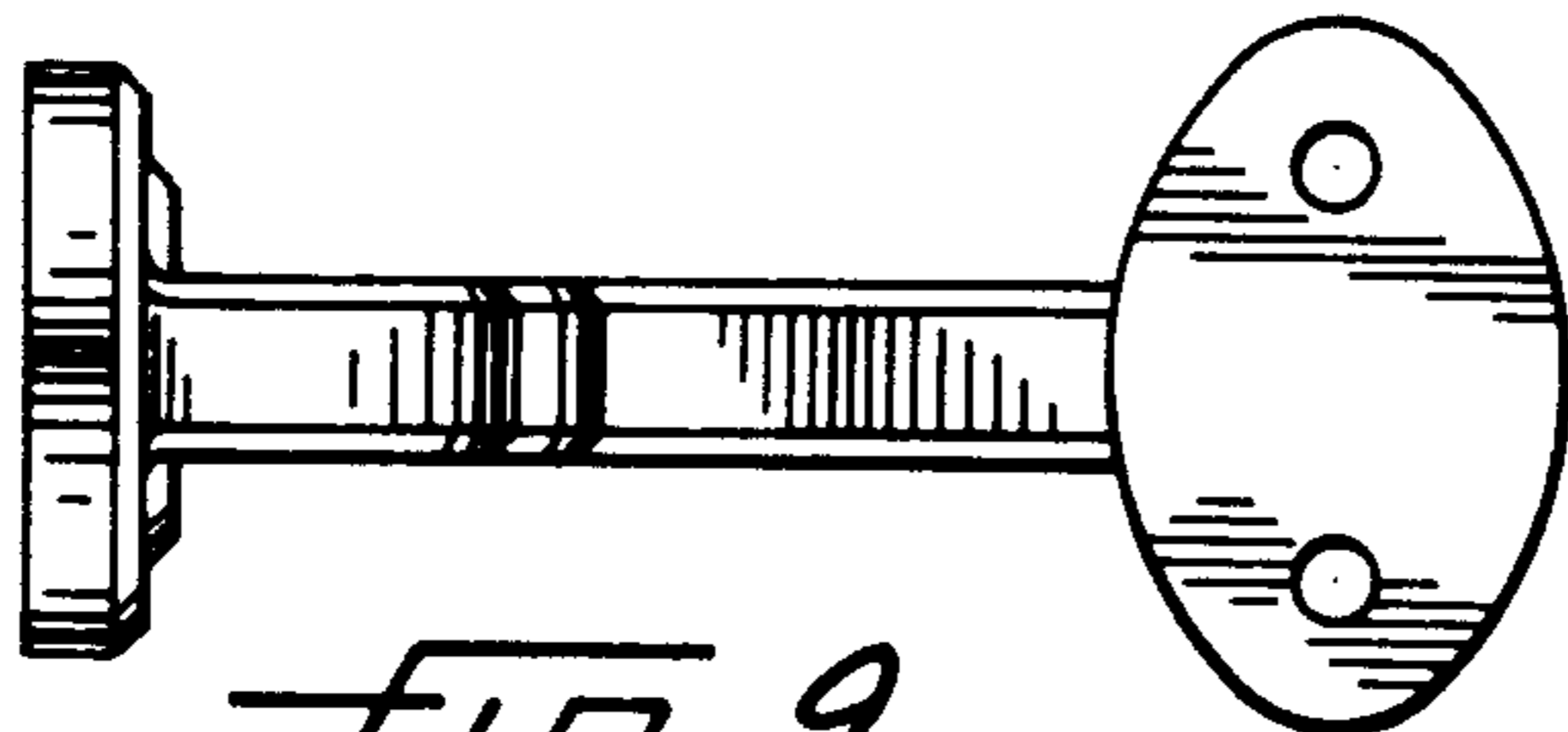


FIG. 9.

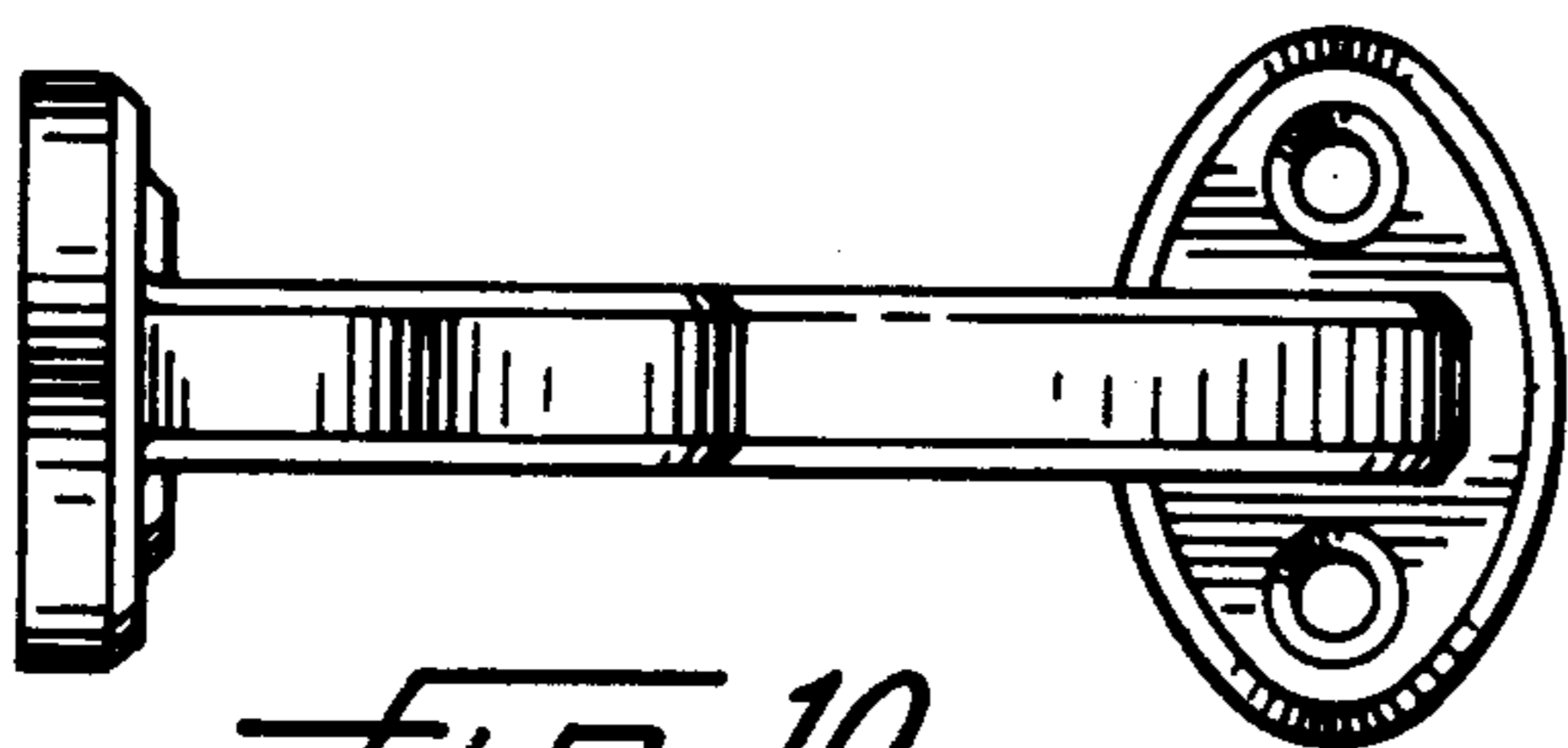


FIG. 10.

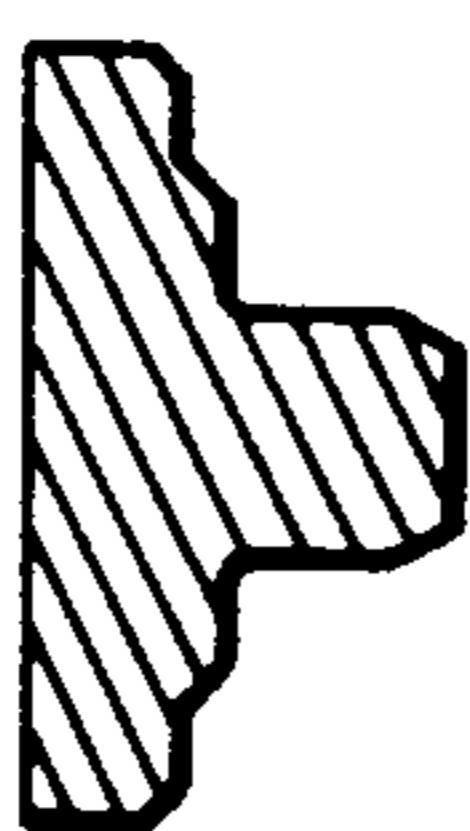


FIG. 12. FIG. 13.

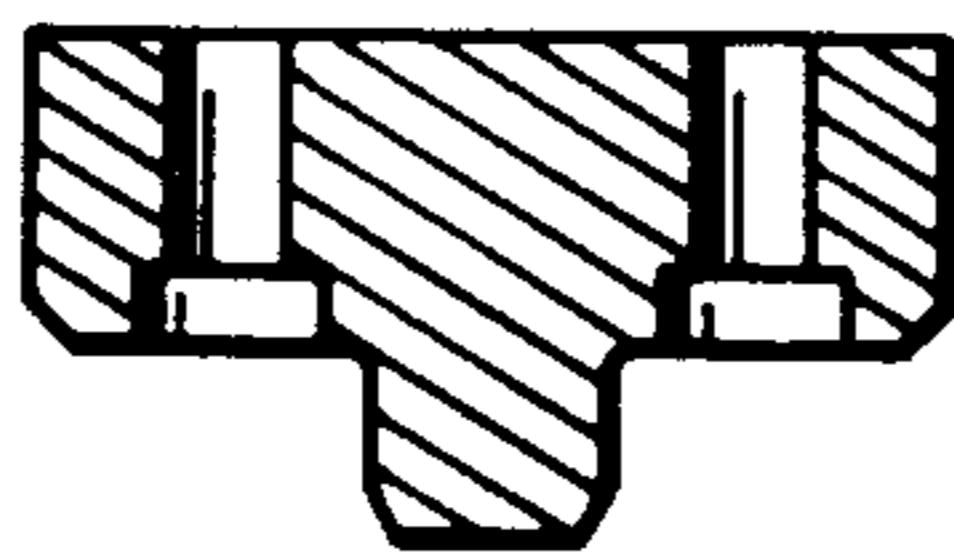


FIG. 14.

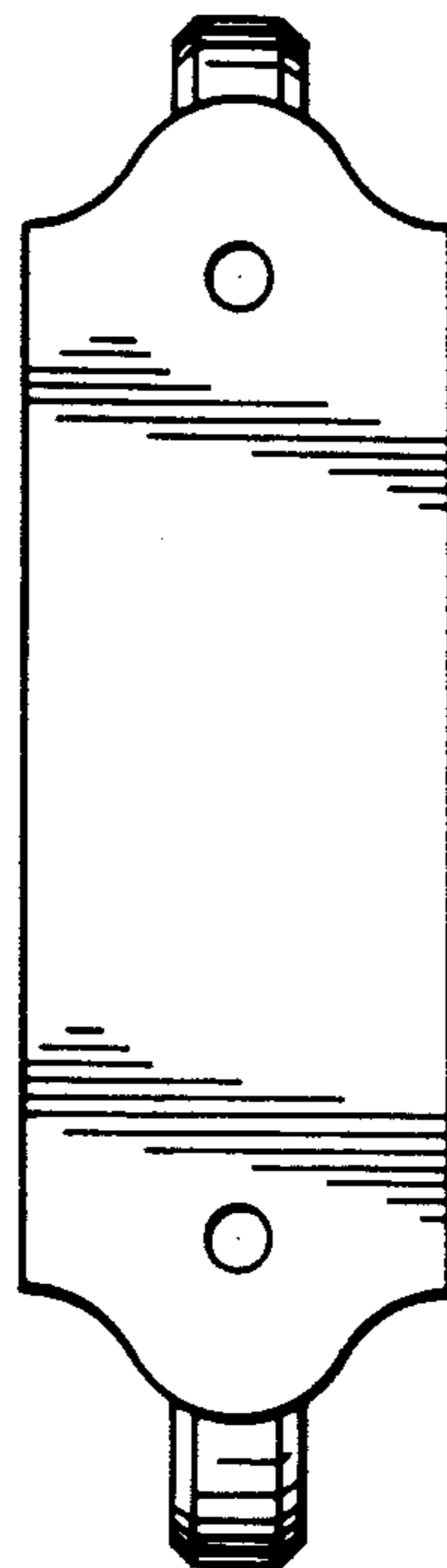


FIG. 11.

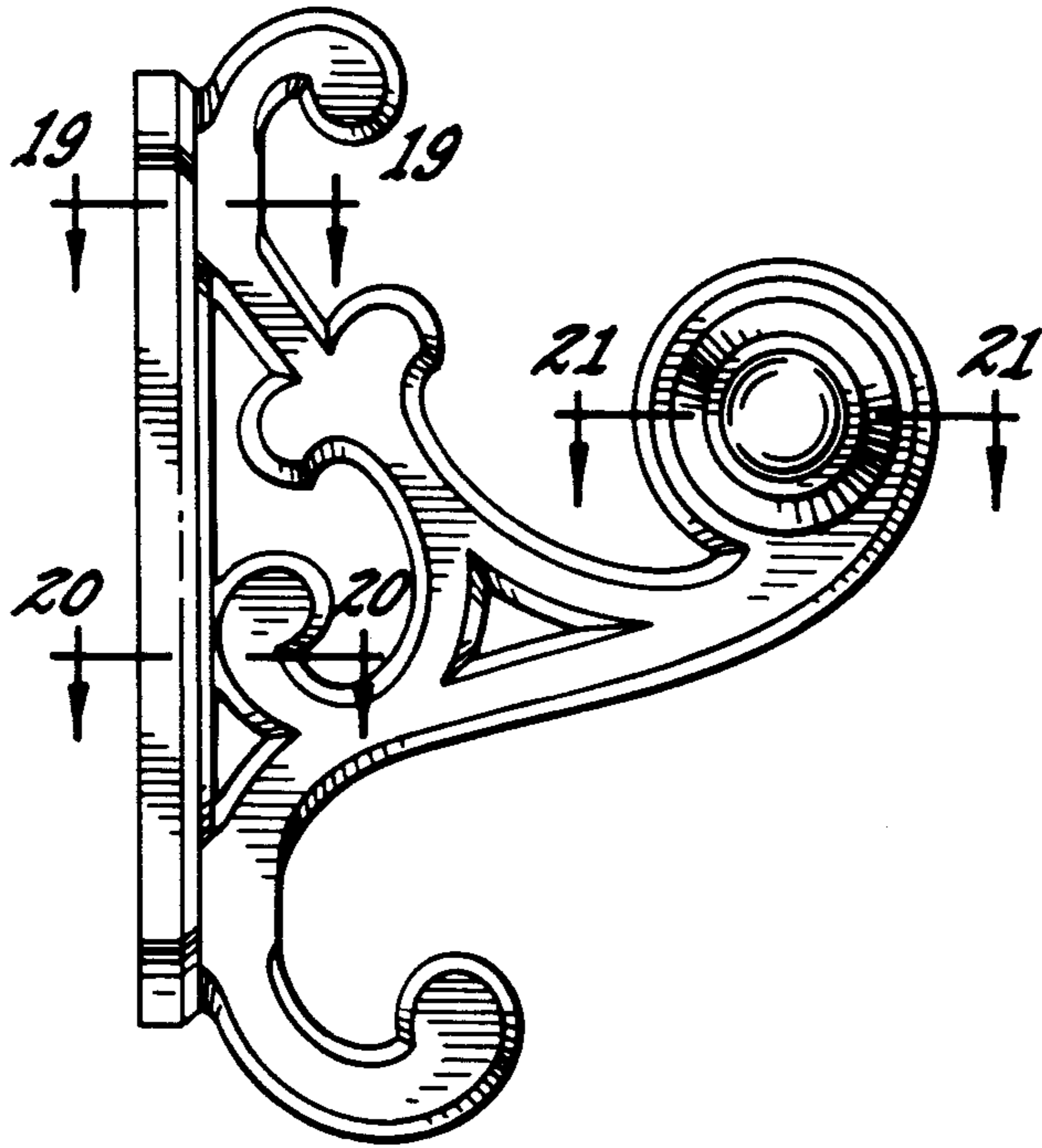


Fig. 15.

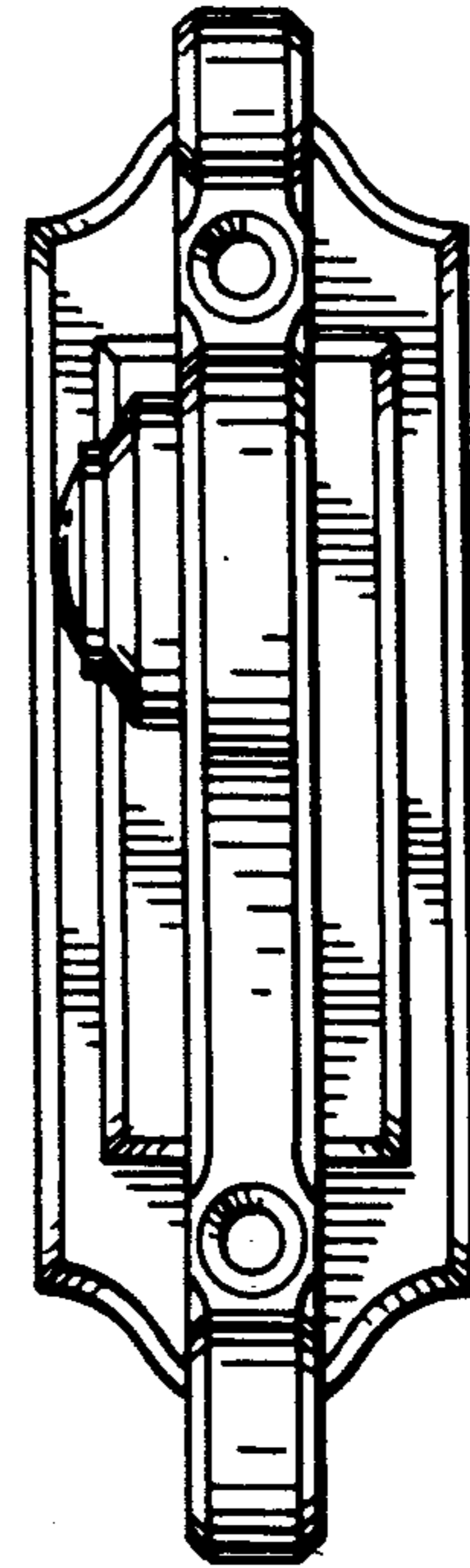


Fig. 16.

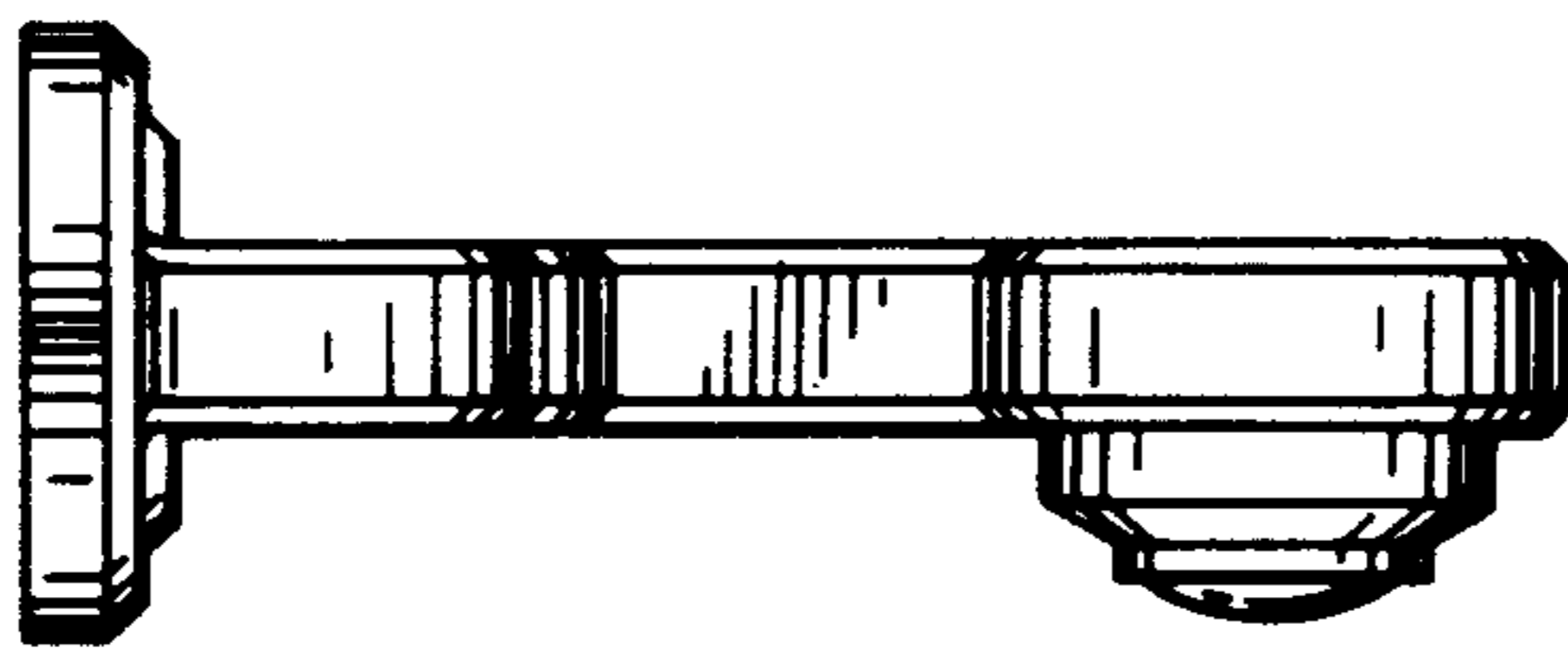


Fig. 17.

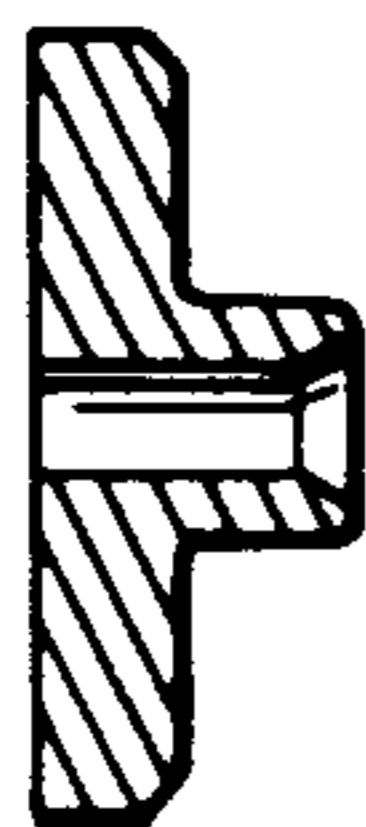


Fig. 19.

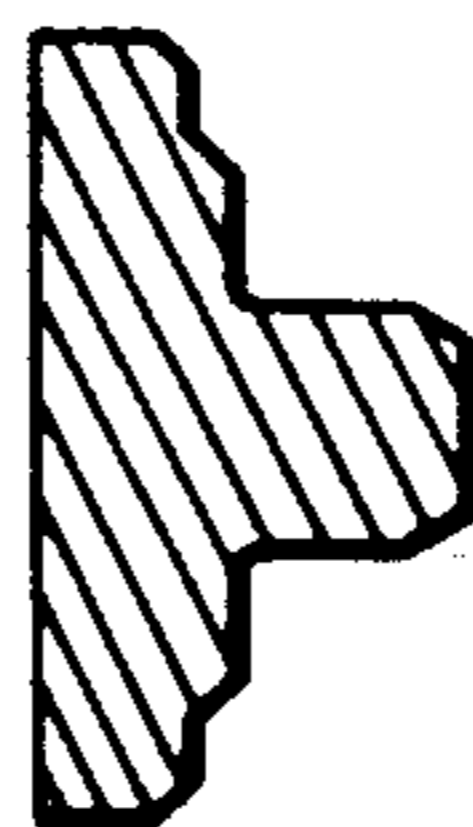


Fig. 20.

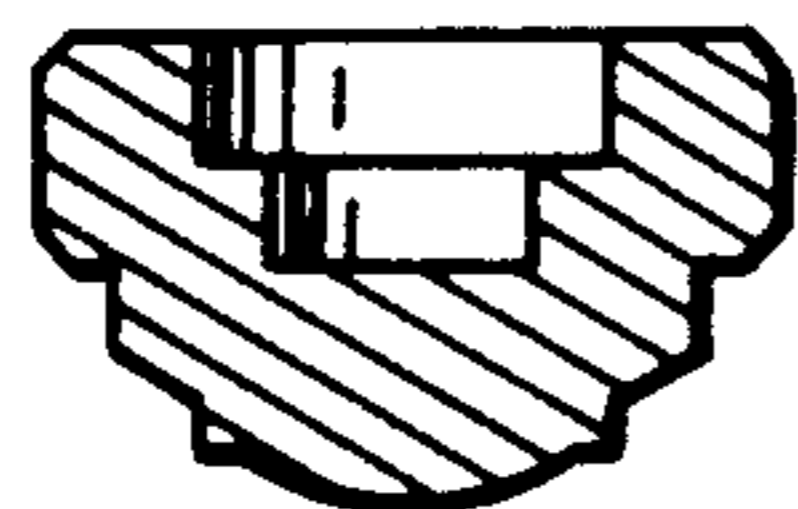


Fig. 21.

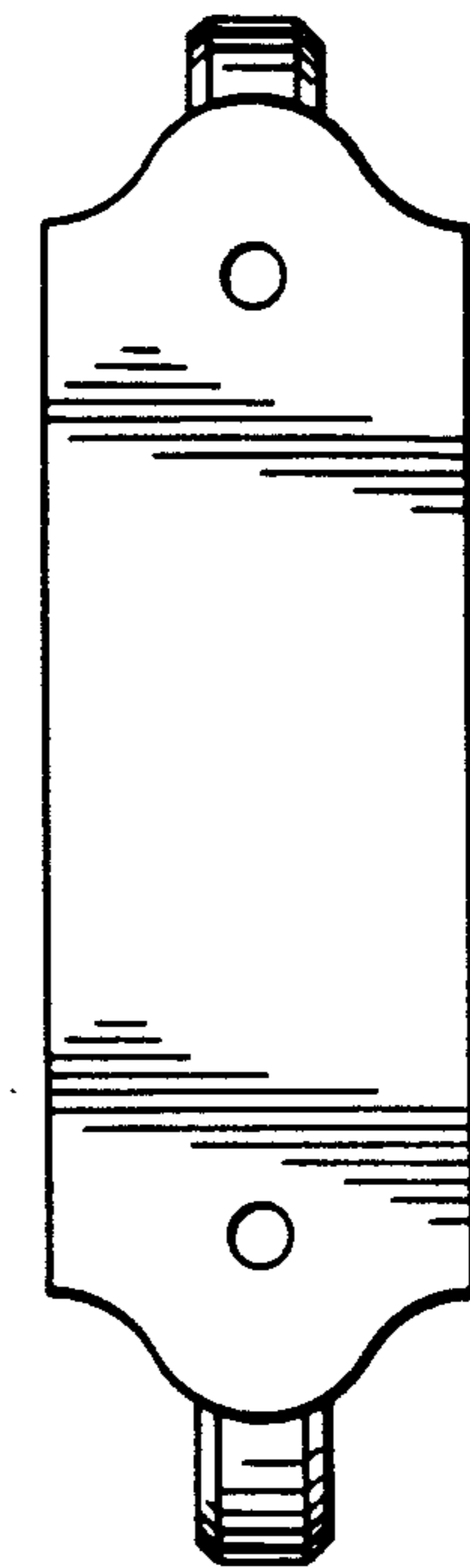


Fig. 18.

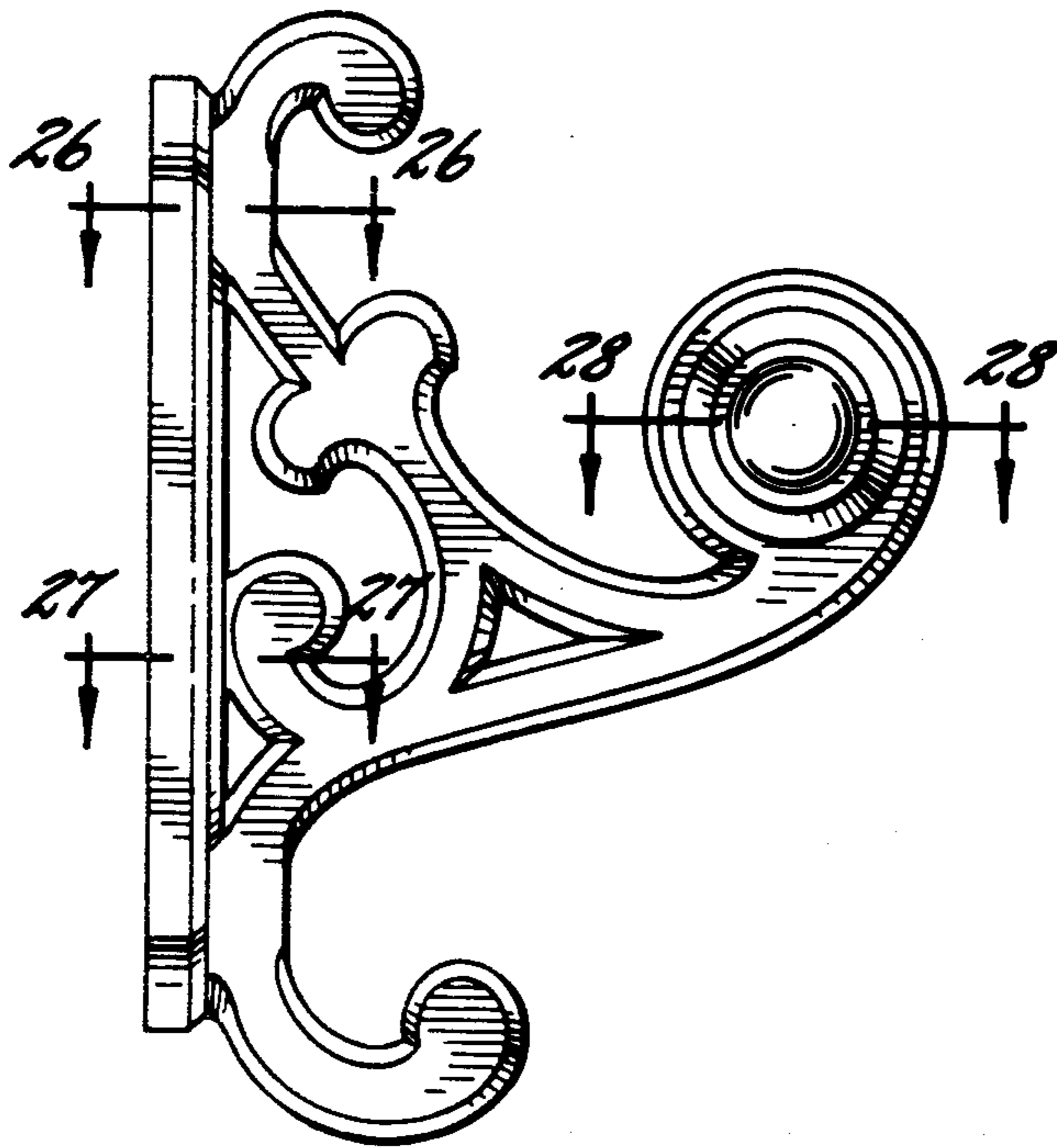


FIG. 22.

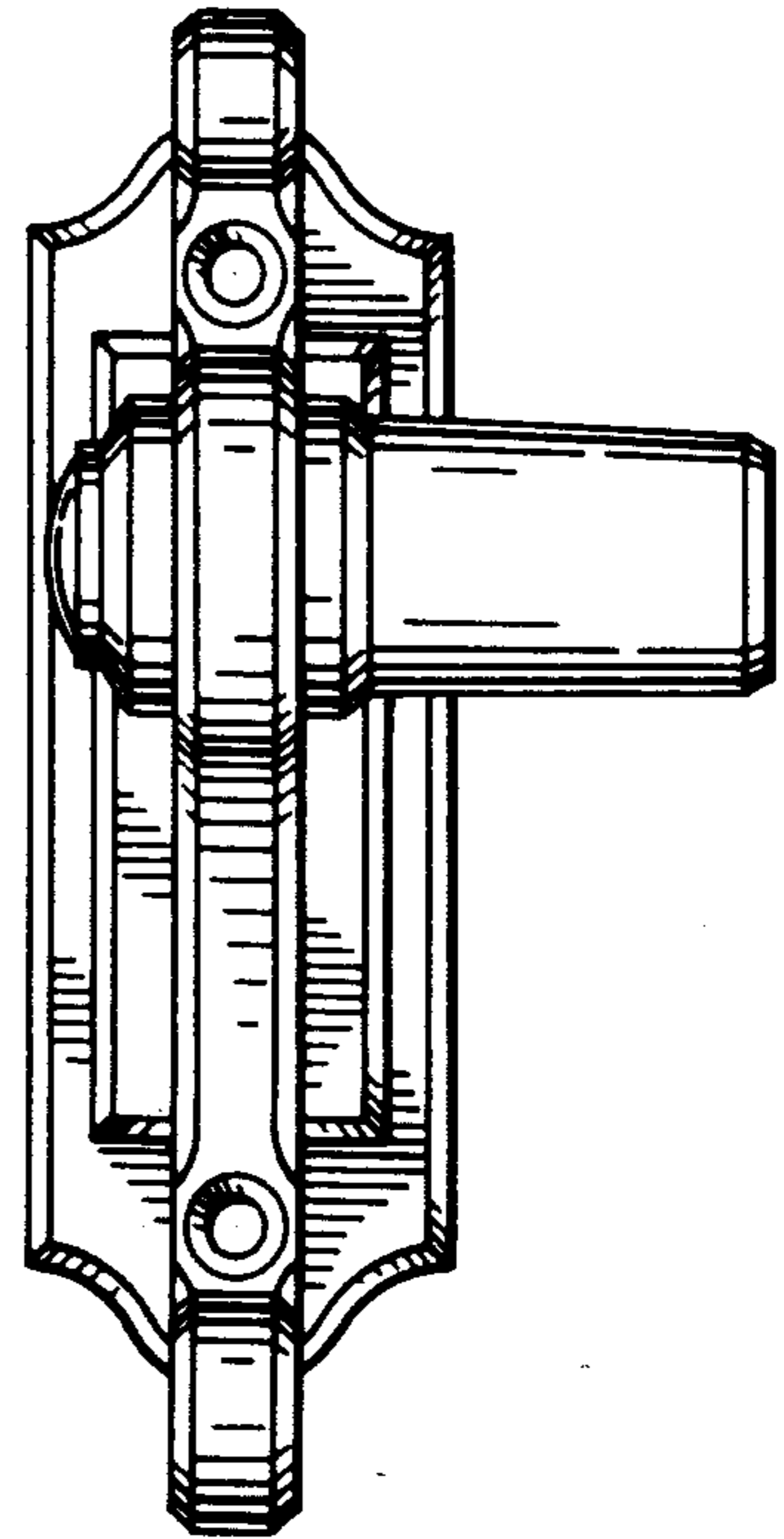


FIG. 23.

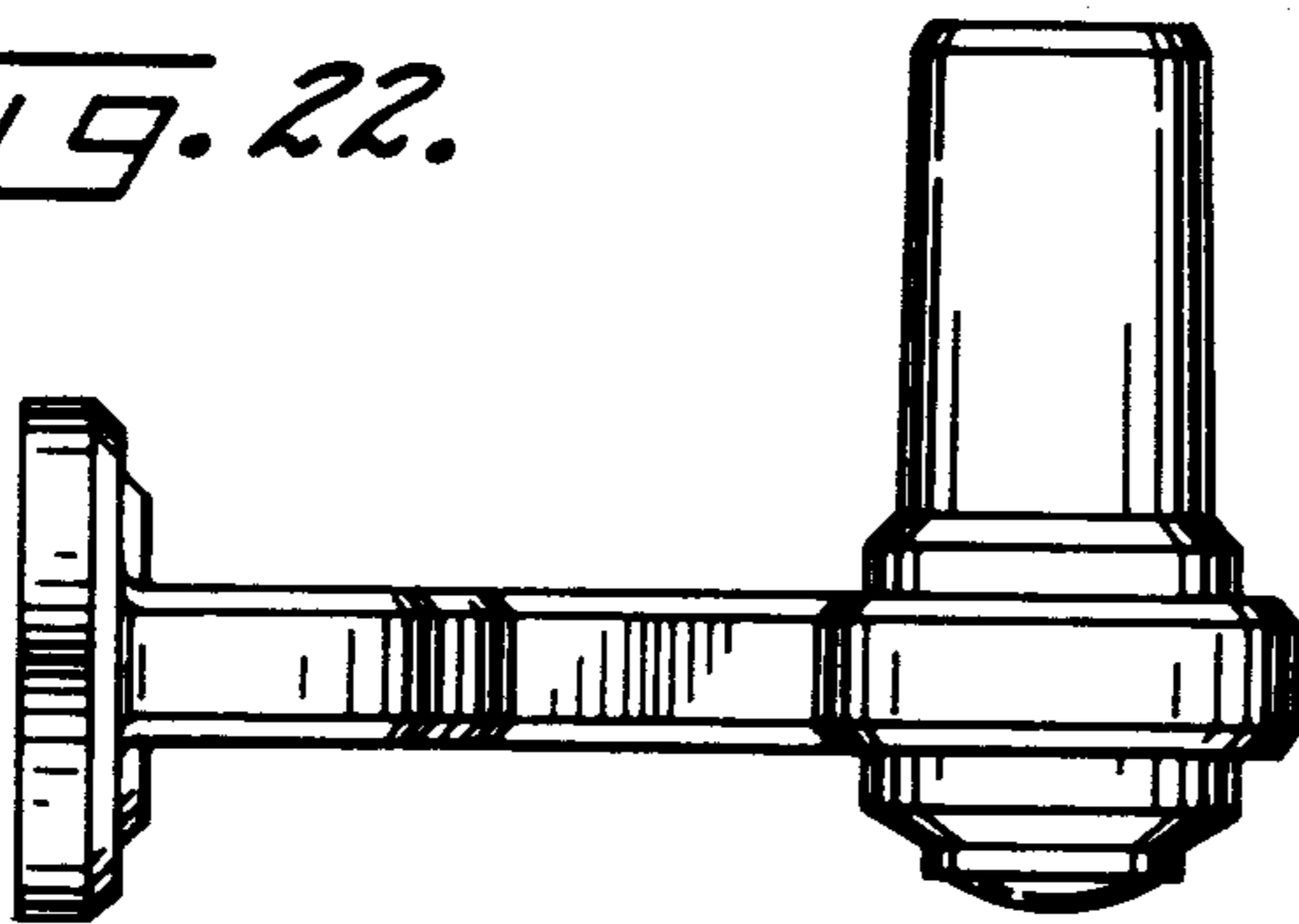


FIG. 24.

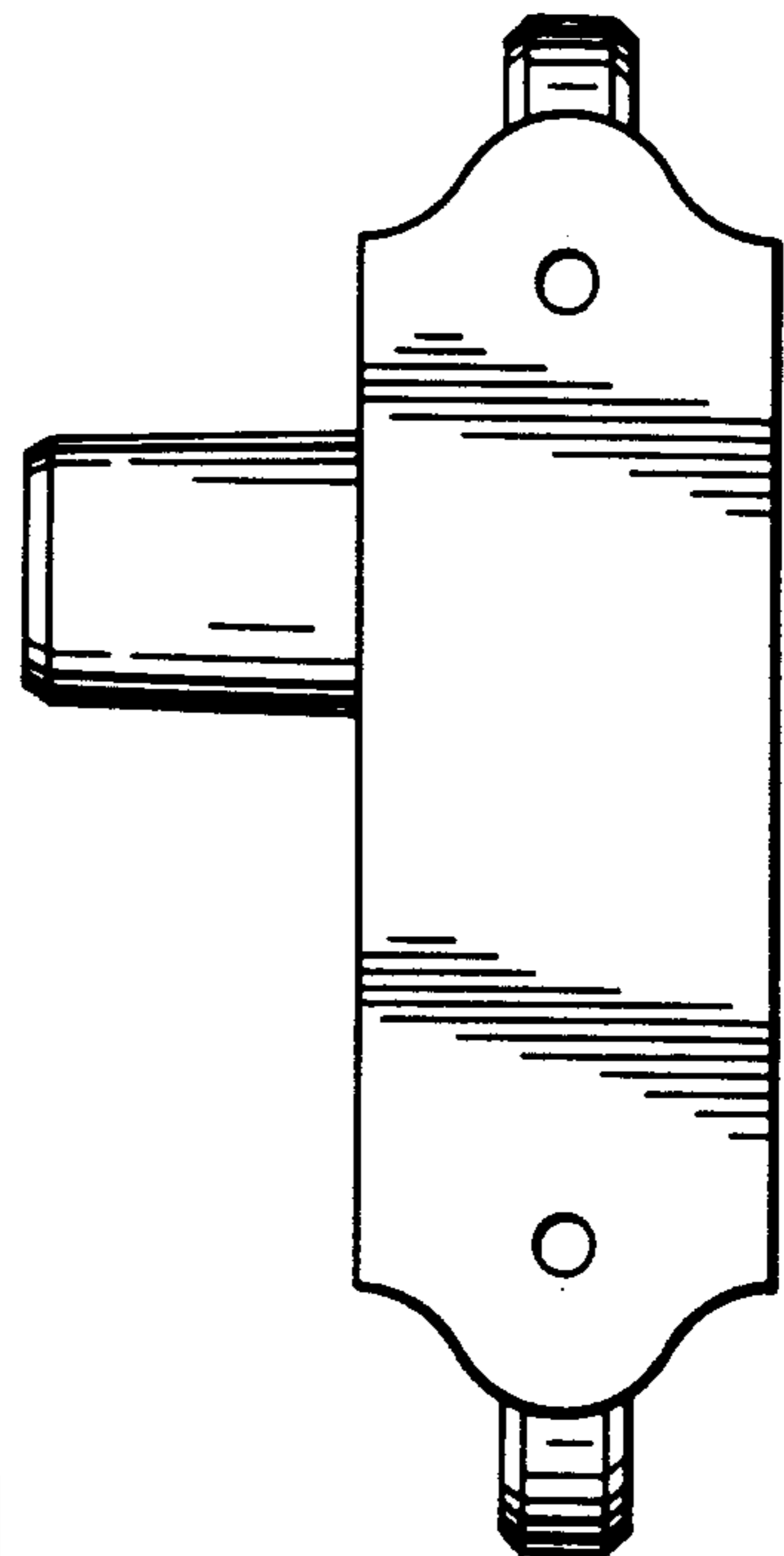


FIG. 25.

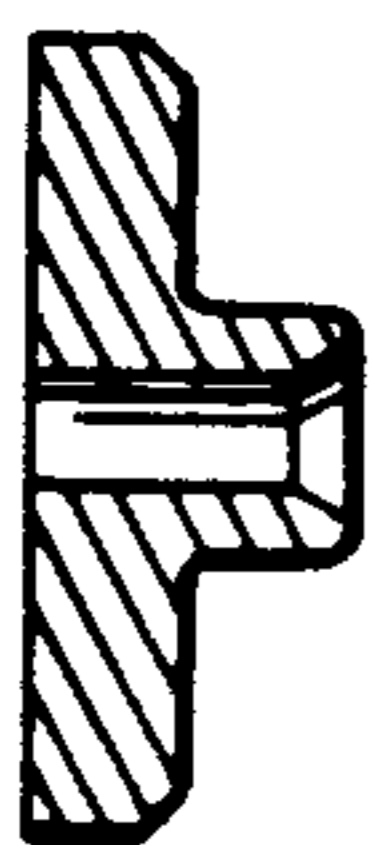


FIG. 26.

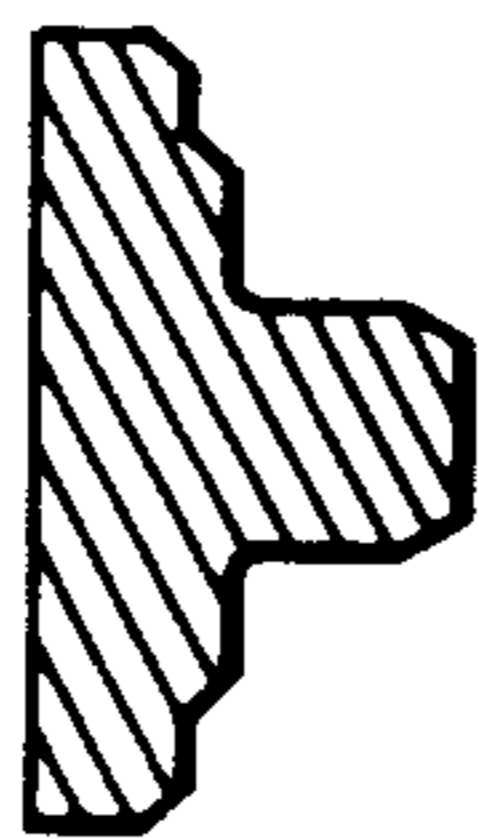


FIG. 27.

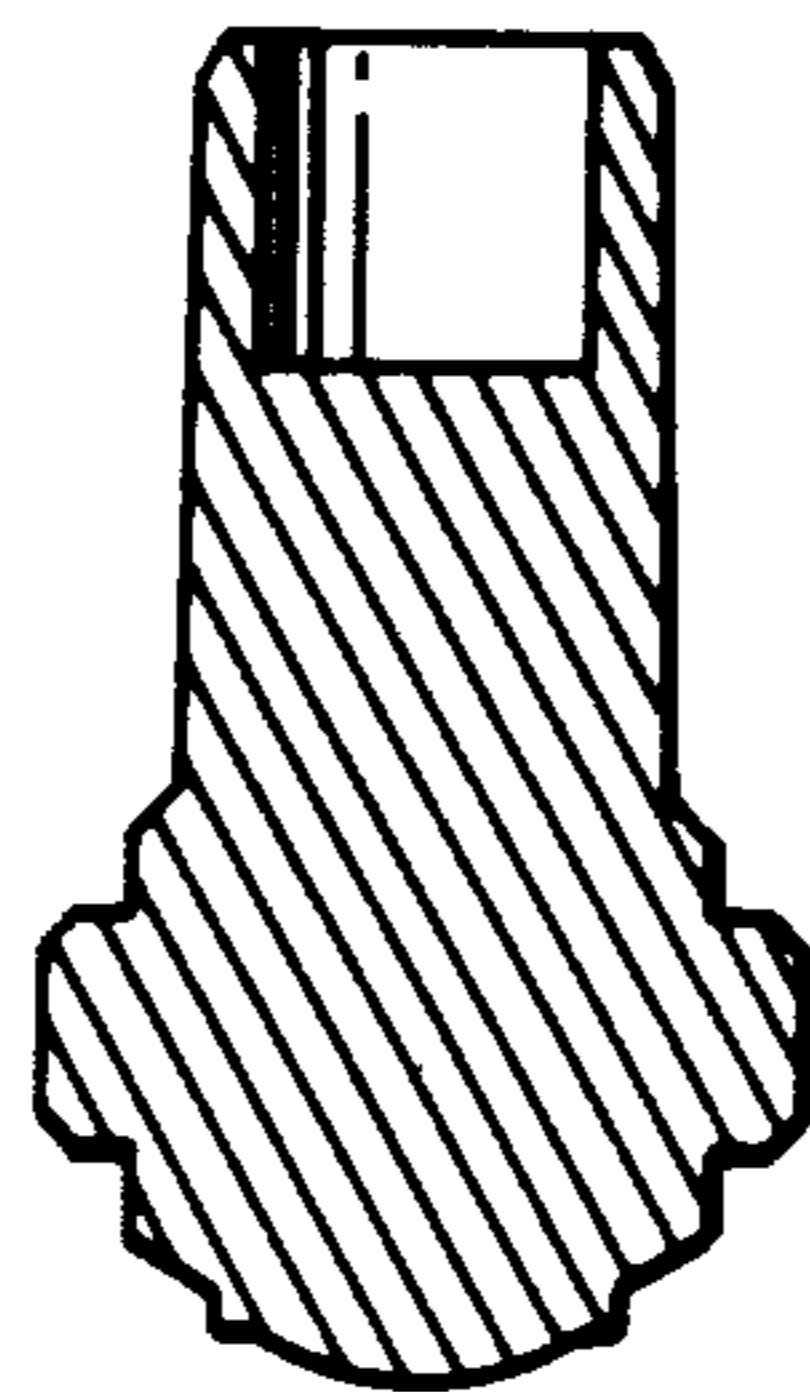


FIG. 28.

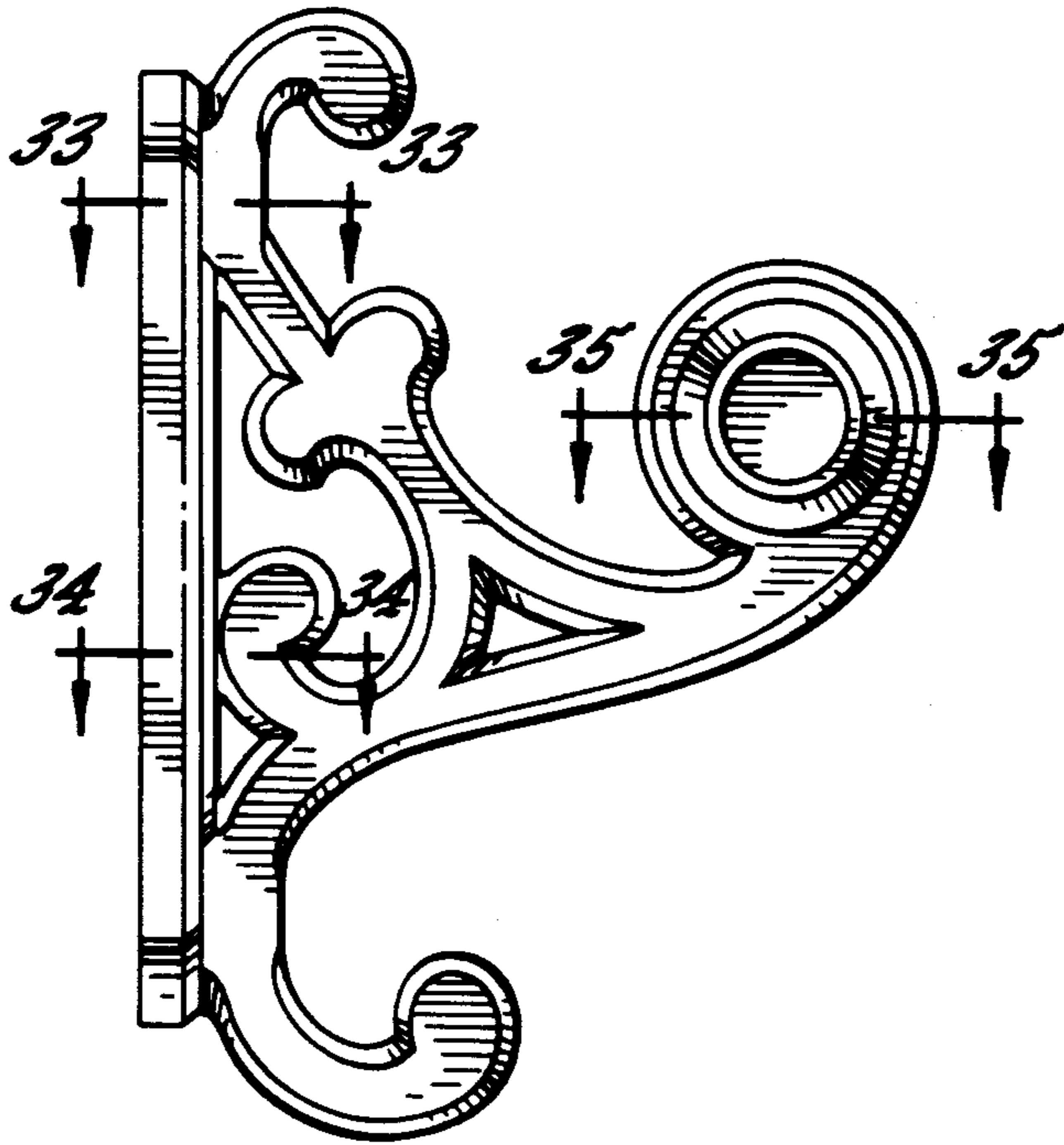


FIG. 29.

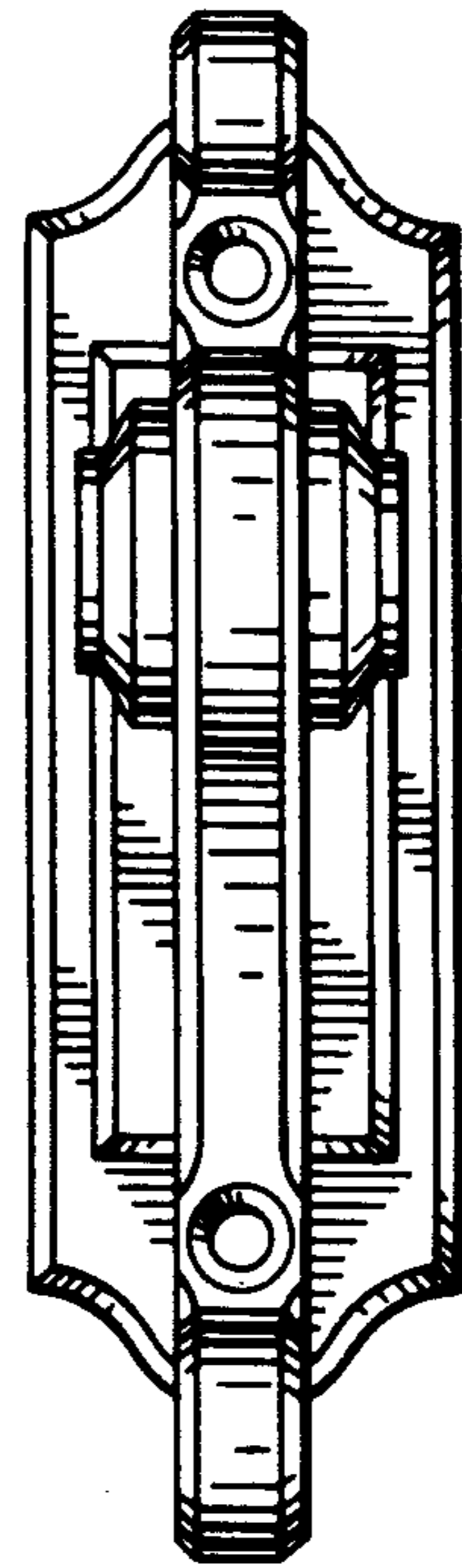


FIG. 30.

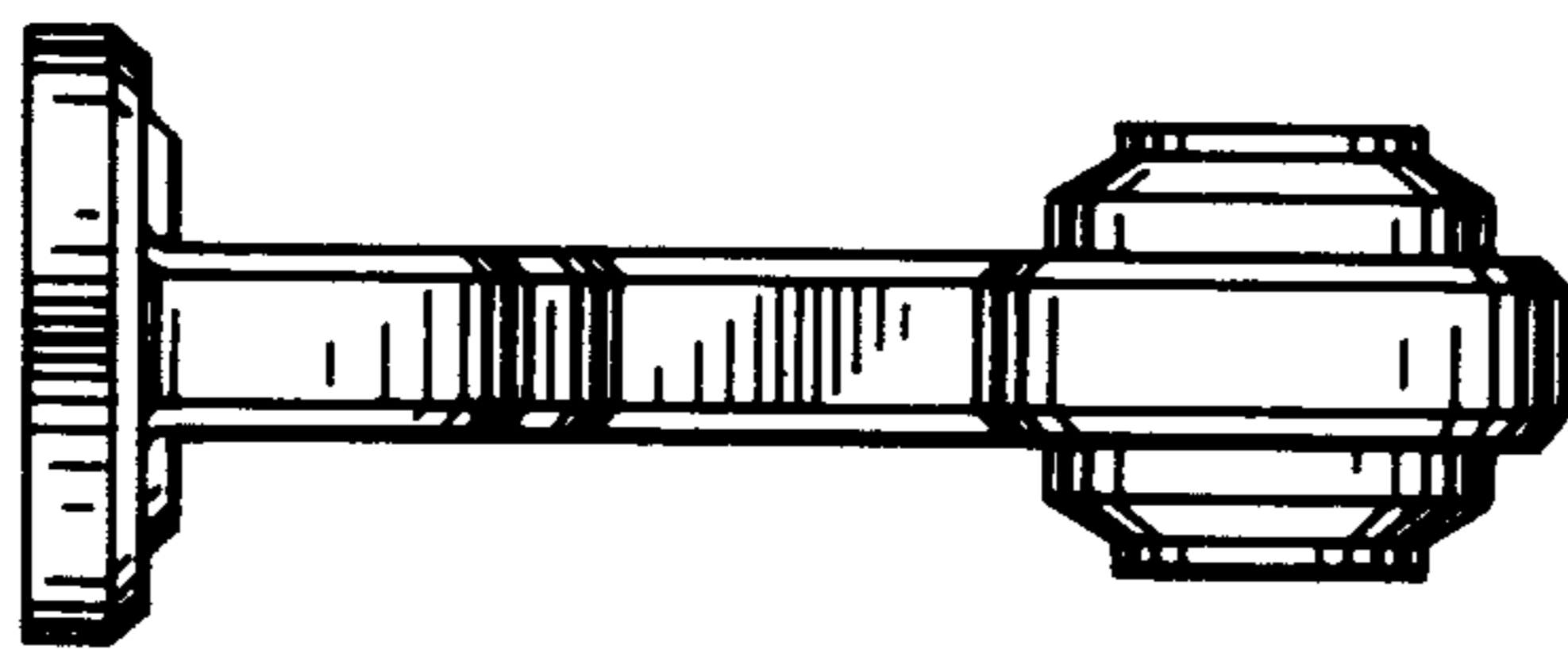


FIG. 31.

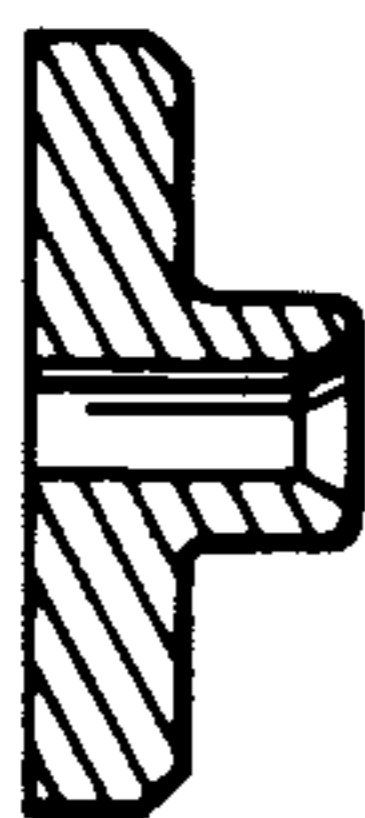


FIG. 33.

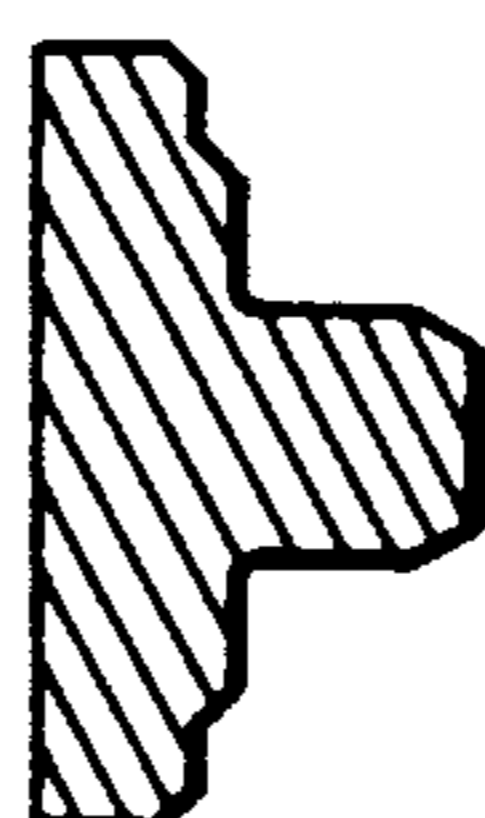


FIG. 34.

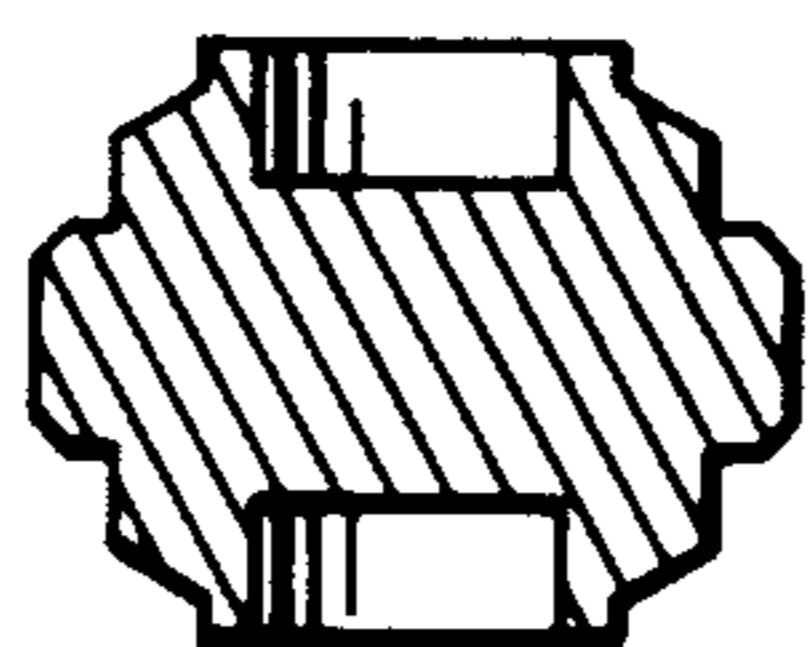


FIG. 35.

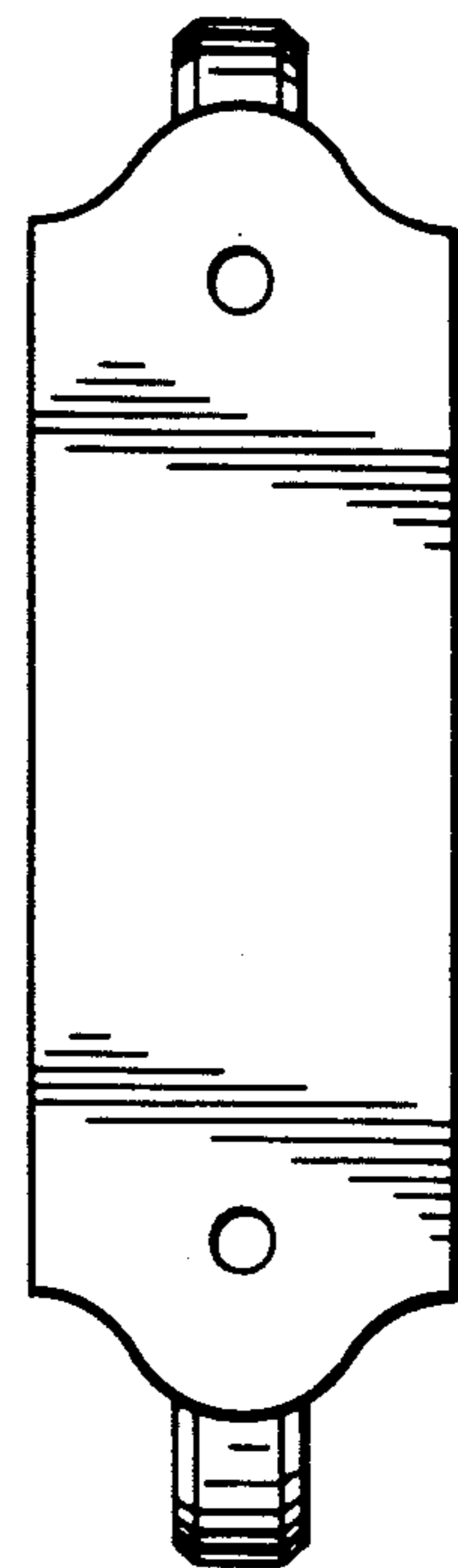


FIG. 32.