

[54] HASSOCK OR SIMILAR ARTICLE

- [75] Inventors: **Albert M. Spound**, Tarzana, Calif.;
Robert C. Day, Princeton, Mass.
- [73] Assignee: **Charlton Company, Inc.**, Leominster, Mass.
- [*] Notice: The portion of the term of this patent subsequent to Nov. 13, 1993, has been disclaimed.
- [**] Term: **14 Years**
- [21] Appl. No.: **918,682**
- [22] Filed: **Jun. 23, 1978**

Related U.S. Application Data

- [63] Continuation-in-part of Ser. No. 678,966, Apr. 21, 1976, abandoned.
- [51] Int. Cl. **D6-01**
- [52] U.S. Cl. **D6/36; D6/58**
- [58] Field of Search **D6/32-36, D6/26, 58; 297/461, 462**

References Cited

U.S. PATENT DOCUMENTS

- D. 181,730 12/1957 Jones et al. **D6/36**

OTHER PUBLICATIONS

Interiors, 1-1975, p. 14, Modular Seating Unit by Airborne, panel 5.
 Interiors, 7-1974, Modular Seating Unit by Selig, see p. 38.
 Crump Hassocks, Catalog for F&W 1949, p. 9, hassock No. 452.
 Interiors, 11-1967, p. 129, chair in foreground by Platner.

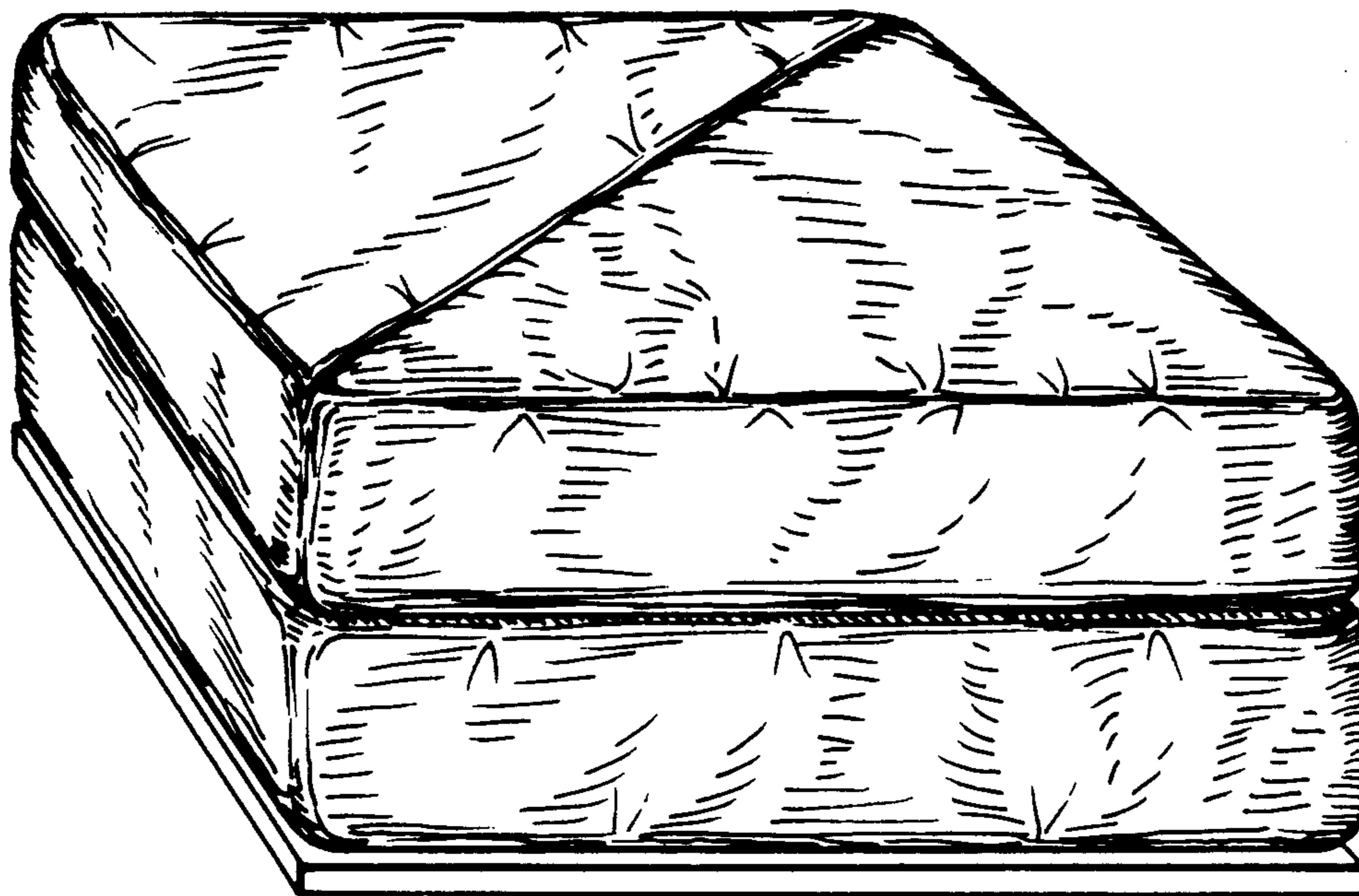
Primary Examiner—Bruce W. Dunkins
Attorney, Agent, or Firm—Joseph Weingarten

[57] **CLAIM**

The ornamental design for a hassock or similar article, as shown and described.

DESCRIPTION

FIG. 1 is a perspective view showing the side and top portions of a hassock or similar article embodying the novel design;
 FIG. 2 is a corner elevation view of a hassock or similar article of FIG. 1;
 FIG. 3 is another corner elevation view of a hassock or similar article of FIG. 1; and
 FIG. 4 is a top view of a hassock or similar article of FIG. 1.
 The members supporting the upholstered seat portions in spaced position above the base are plain and unornamented.



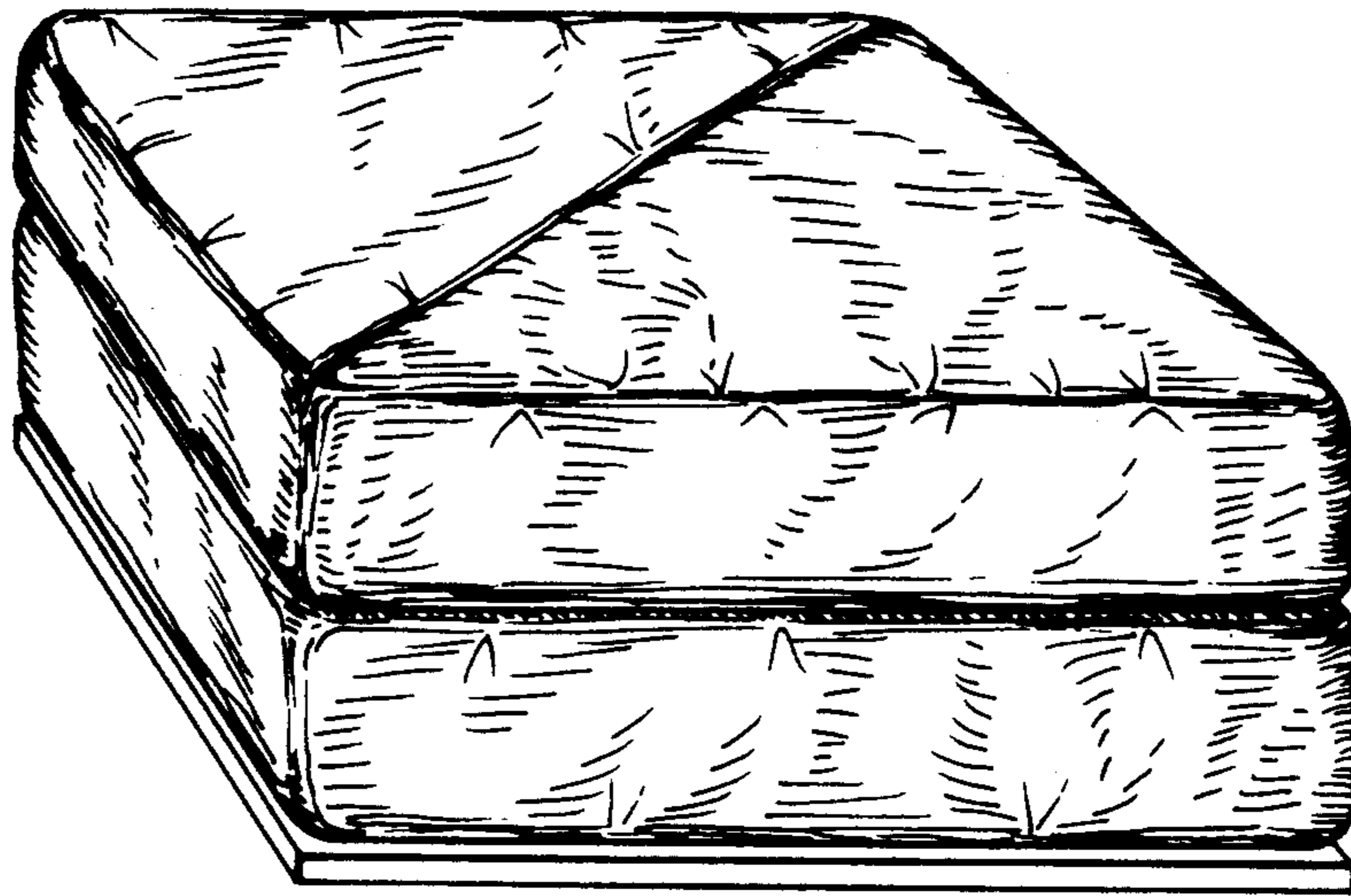


FIG. 1

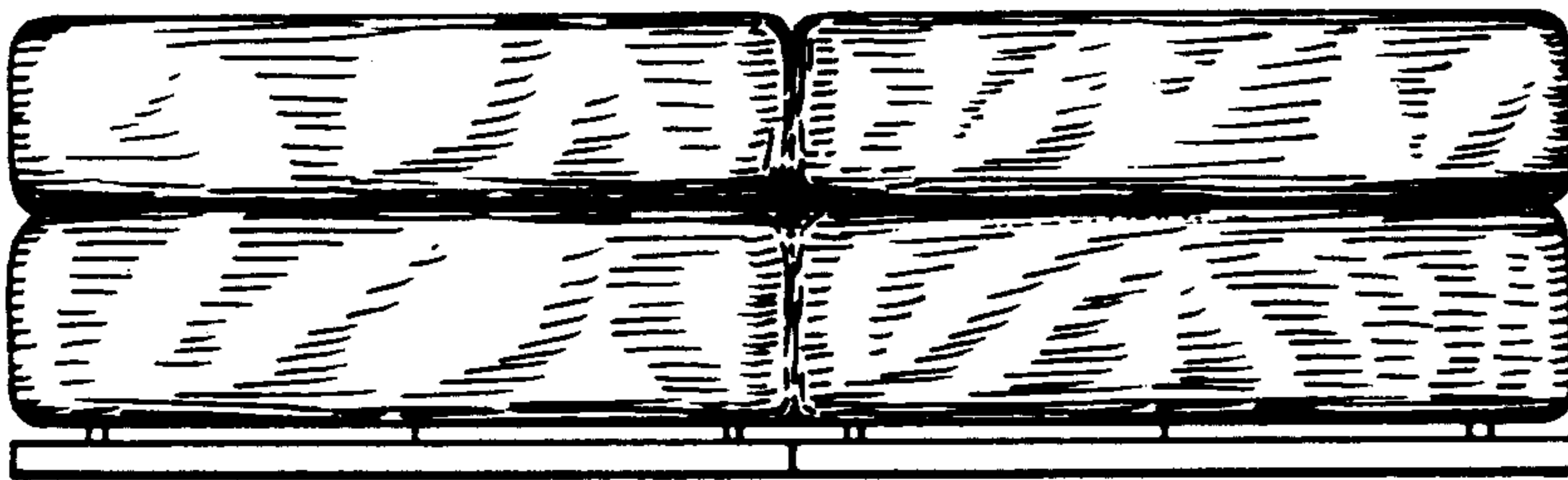


FIG. 2

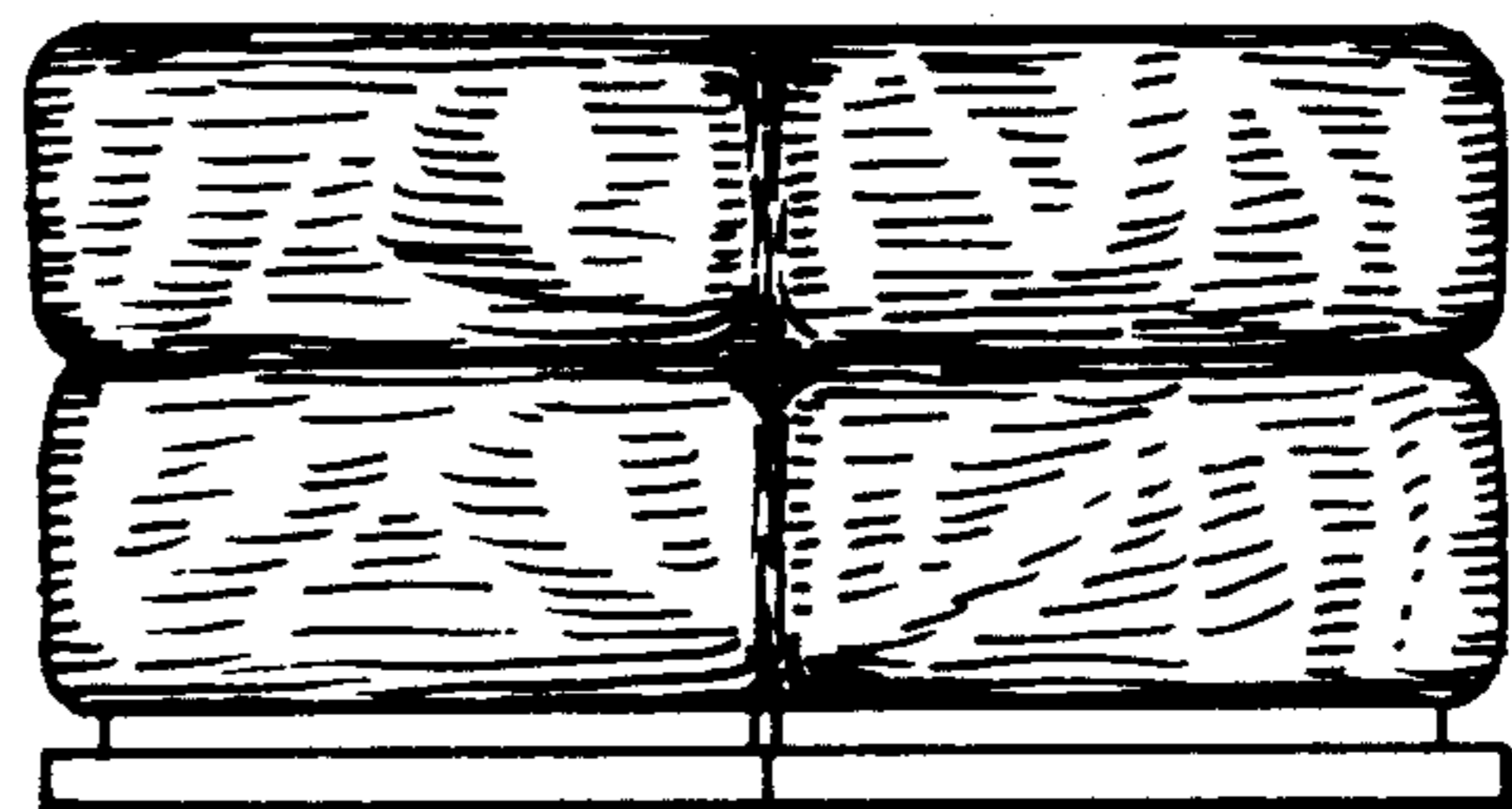


FIG. 3

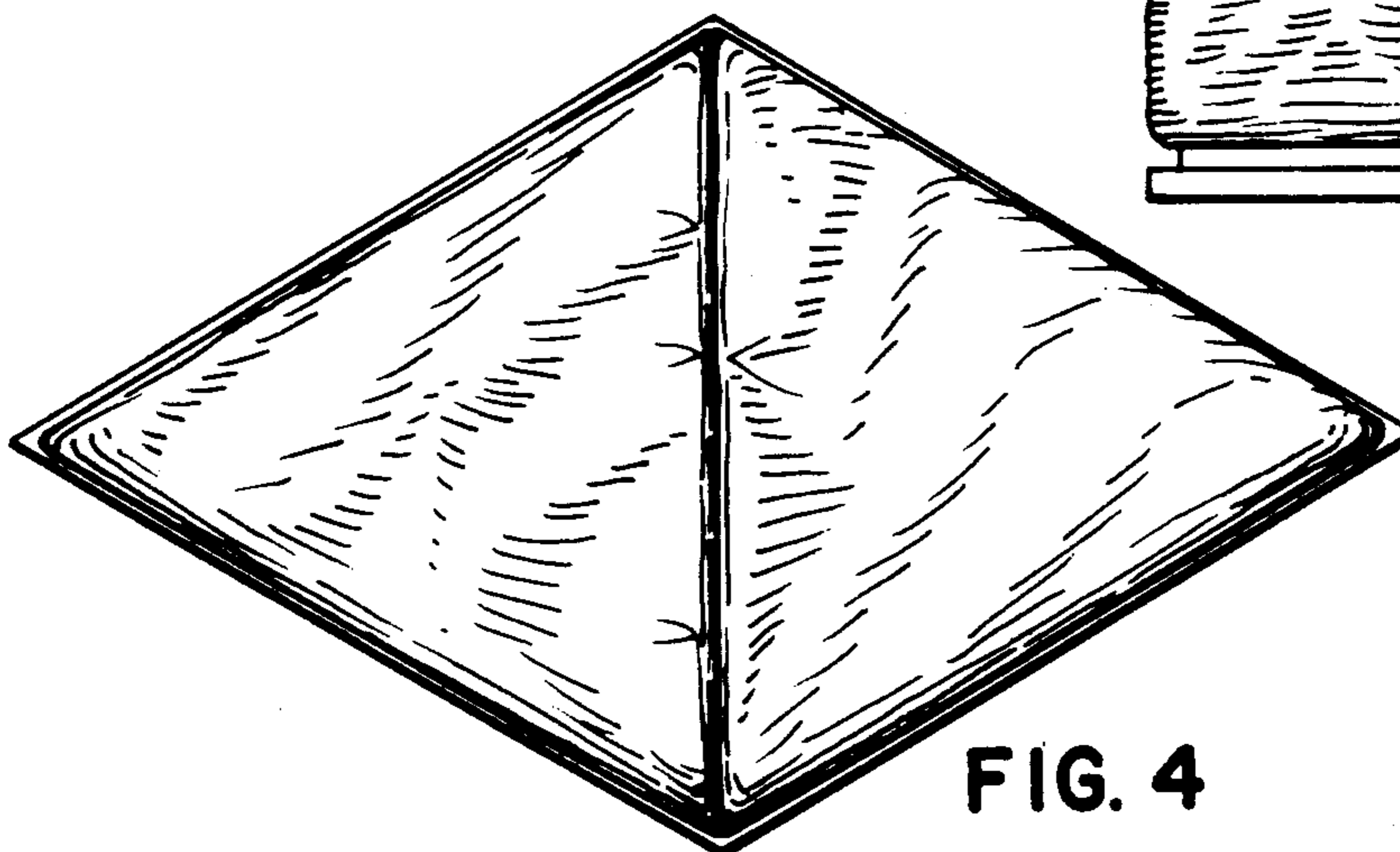


FIG. 4