

[54] SAFETY RAZOR CARTRIDGE WITH
CLEAN-OUT MECHANISM
[75] Inventor: Evan N. Chen, Fairfield, Conn.
[73] Assignee: Warner-Lambert Company, Morris
Plains, N.J.
[**] Term: 14 Years
[21] Appl. No.: 866,146
[22] Filed: Dec. 30, 1977
[51] Int. Cl. D28-03
[52] U.S. Cl. D28/47; 30/41
[58] Field of Search D28/45-48;
30/32, 47, 90, 41

[56] References Cited
U.S. PATENT DOCUMENTS
D. 241,281 8/1976 Jacobson D28/47
3,409,982 11/1968 Baker et al. 30/32 X
3,955,277 5/1976 Pomfret 30/47

4,047,296 9/1977 Ishida 30/41
FOREIGN PATENT DOCUMENTS
2421662 12/1974 Fed. Rep. of Germany 30/47

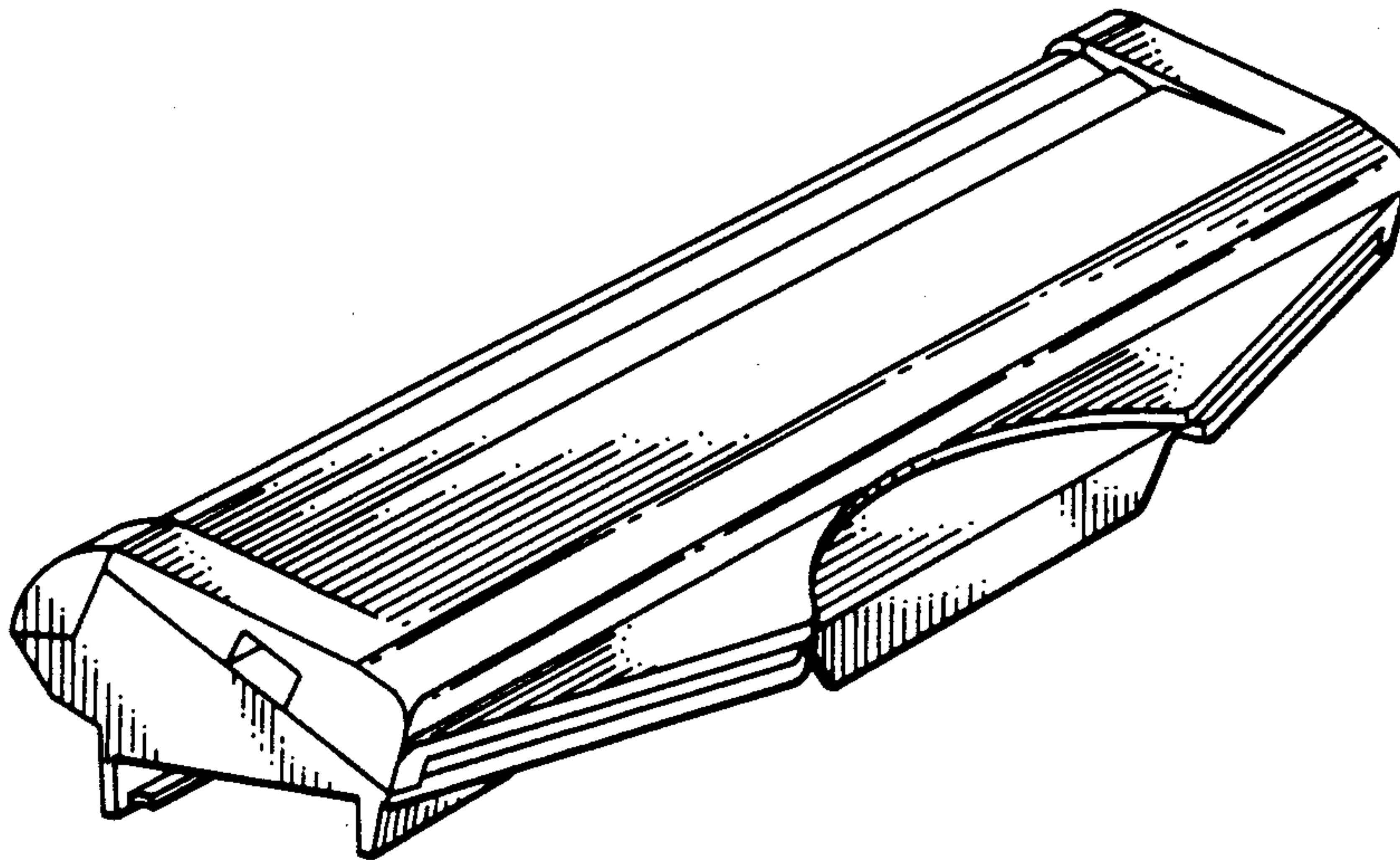
Primary Examiner—Louis S. Zarfes
Attorney, Agent, or Firm—Albert H. Graddis

[57] CLAIM

The ornamental design for a safety razor cartridge with
clean-out mechanism, as shown and described.

DESCRIPTION

FIG. 1 is a perspective view from above and to the rear
of a safety razor cartridge with a clean-out mechanism
showing my new design;
FIG. 2 is a top plan view thereof;
FIG. 3 is a front elevational view thereof;
FIG. 4 is a right side elevational view thereof; and
FIG. 5 is a bottom plan view thereof.
The left side elevational view of the cartridge is a mir-
ror image of FIG. 4.



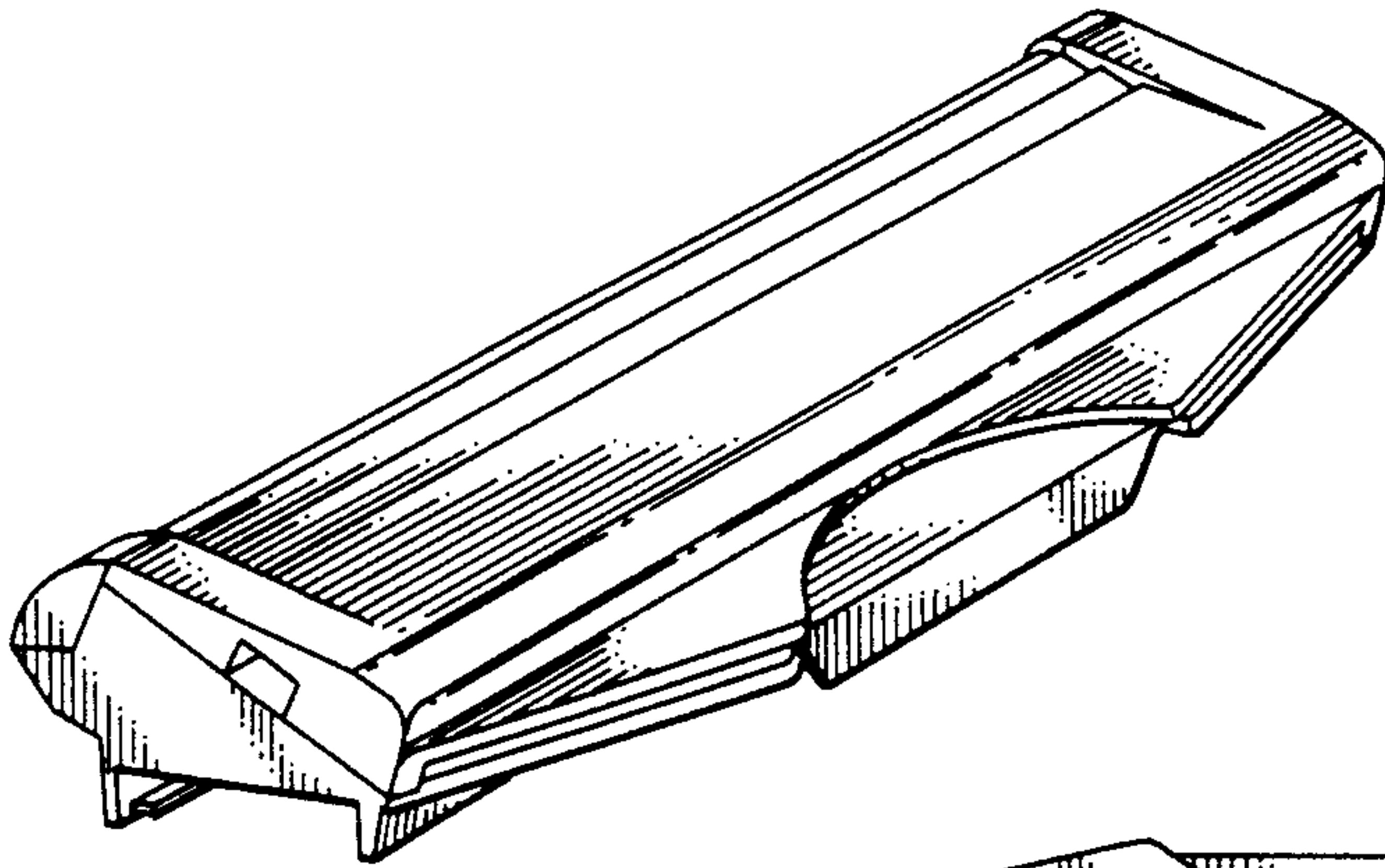


FIG. 1

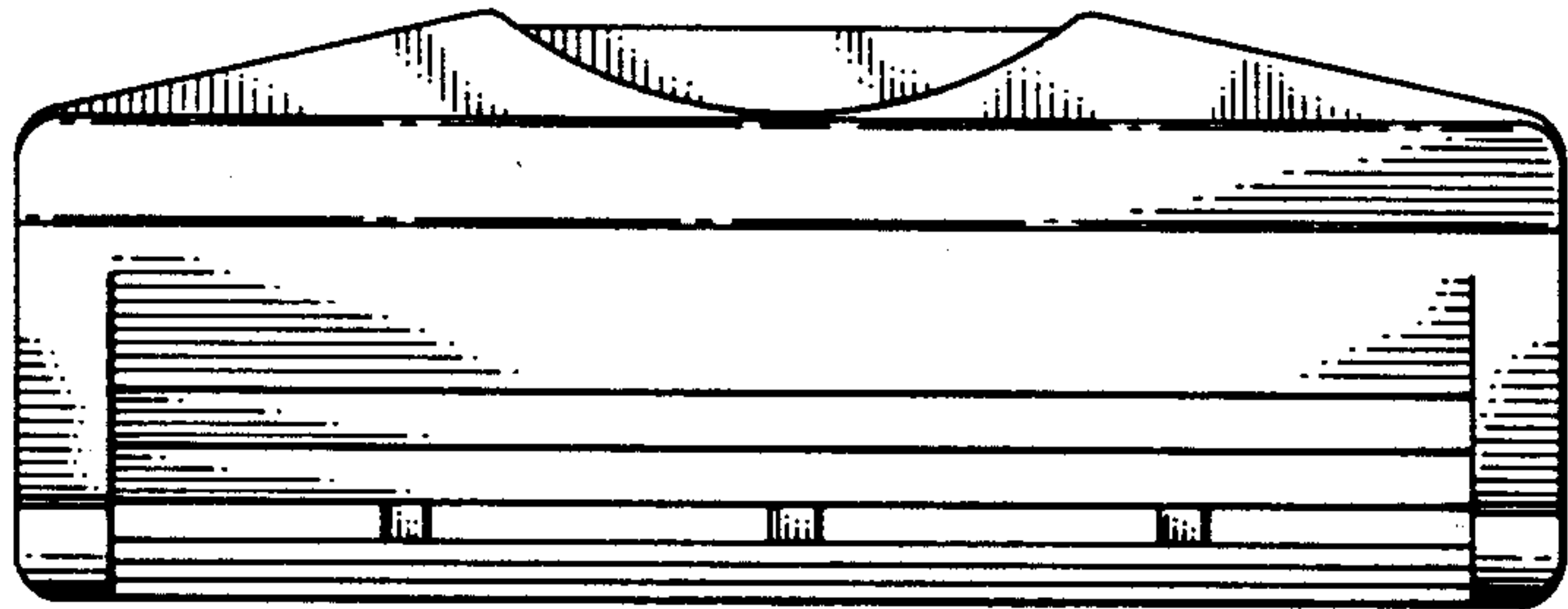


FIG. 2

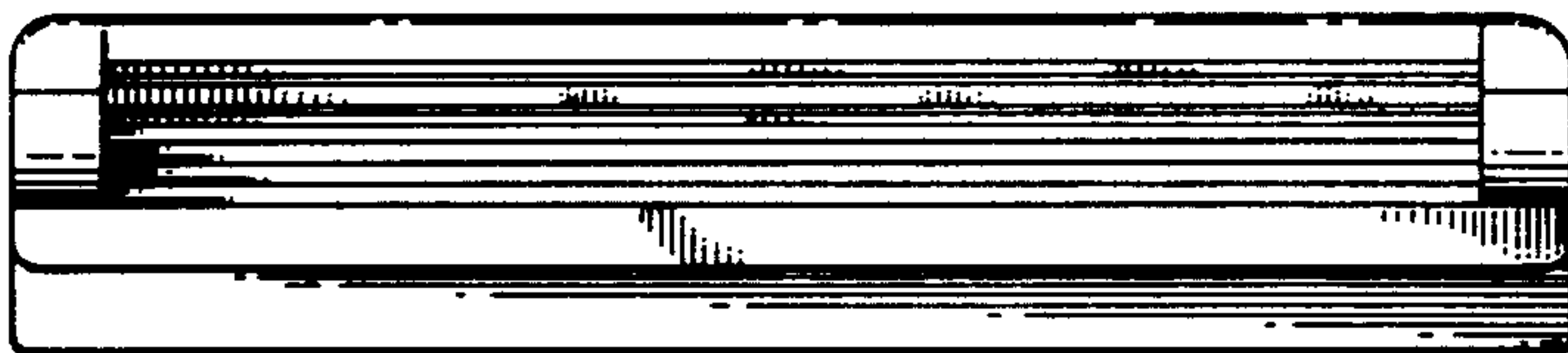


FIG. 3

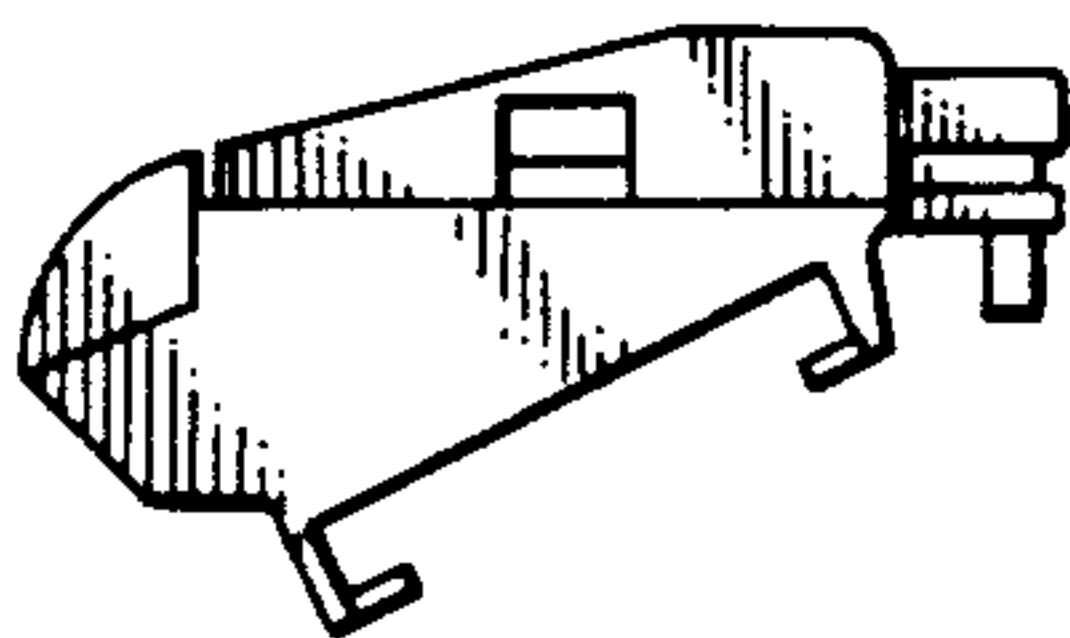


FIG. 4

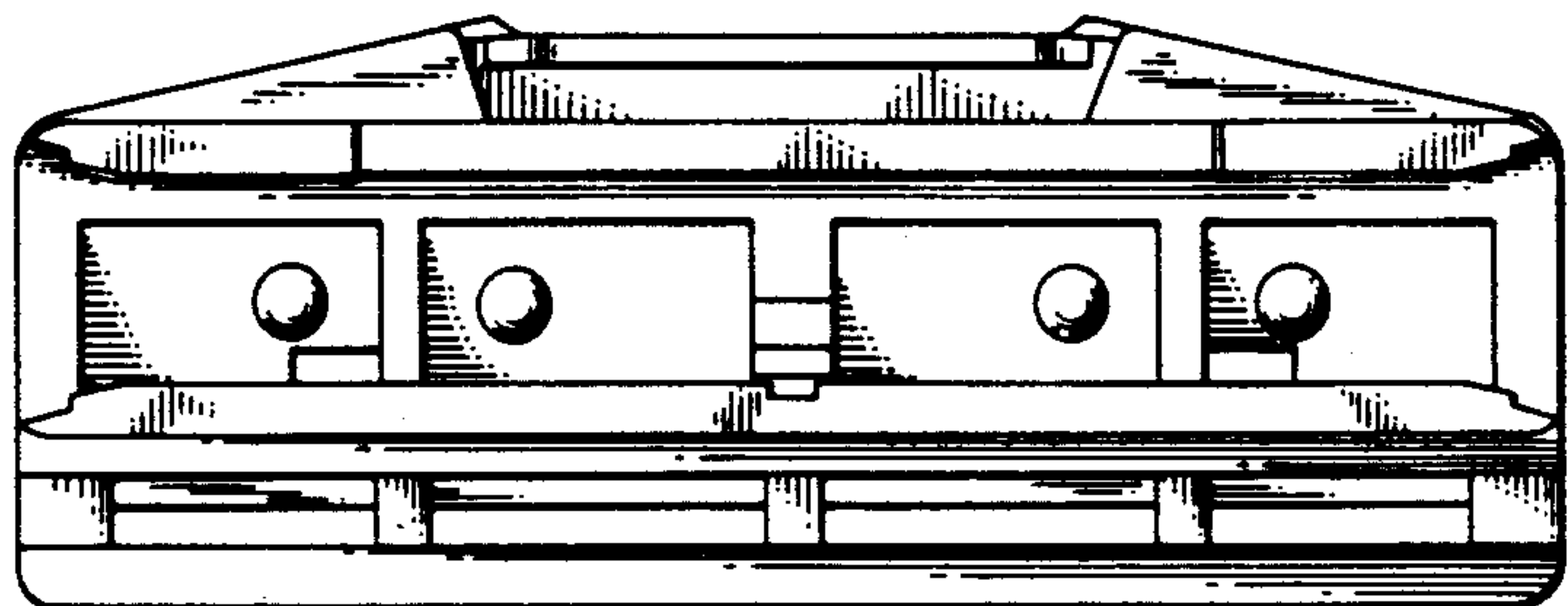


FIG. 5