

[54] BATHTUB

[76] Inventor: Hans A. V. Johansson,
Trehäradsvägen 36, Eslöv, Sweden

[**] Term: 14 Years

[21] Appl. No.: 949,679

[22] Filed: Oct. 10, 1978

[51] Int. Cl. D23-02

[52] U.S. Cl. D23/55

[58] Field of Search D23/48-50,
D23/55-57; 4/2, 4, 5, 145, 146, 148, 149, 161,
162, 173, 175, 178, 180, 185 R, 185 S

[56] References Cited

U.S. PATENT DOCUMENTS

D. 24,889	11/1895	Murschuetz	D23/55
D. 211,876	8/1968	Doman	D23/55
D. 211,877	8/1968	Doman	D23/55
D. 216,120	11/1969	Niemann et al.	D23/55
D. 235,446	6/1975	Korol	D23/55

D. 250,830	1/1979	Clement	D23/55
1,393,310	10/1921	Palmer	D23/55 X
2,079,739	5/1937	Hoseweller	4/173
2,534,146	12/1950	Rodman	4/173
2,671,908	3/1954	Tronie	4/185.5
3,559,634	2/1971	Lillywhito	4/173

Primary Examiner—James R. Largen
Attorney, Agent, or Firm—John J. Dennemeyer

[57] CLAIM

The ornamental design for a bathtub, as shown and described.

DESCRIPTION

FIG. 1 is a perspective view of the bathtub showing my new design;
FIG. 2 is a top plan view thereof;
FIG. 3 is an elevational view taken from one side thereof, the opposite side being a mirror image of the side shown;
FIG. 4 is a bottom plan view thereof;
FIG. 5 is a front elevational view thereof; and
FIG. 6 is a rear elevational view thereof.

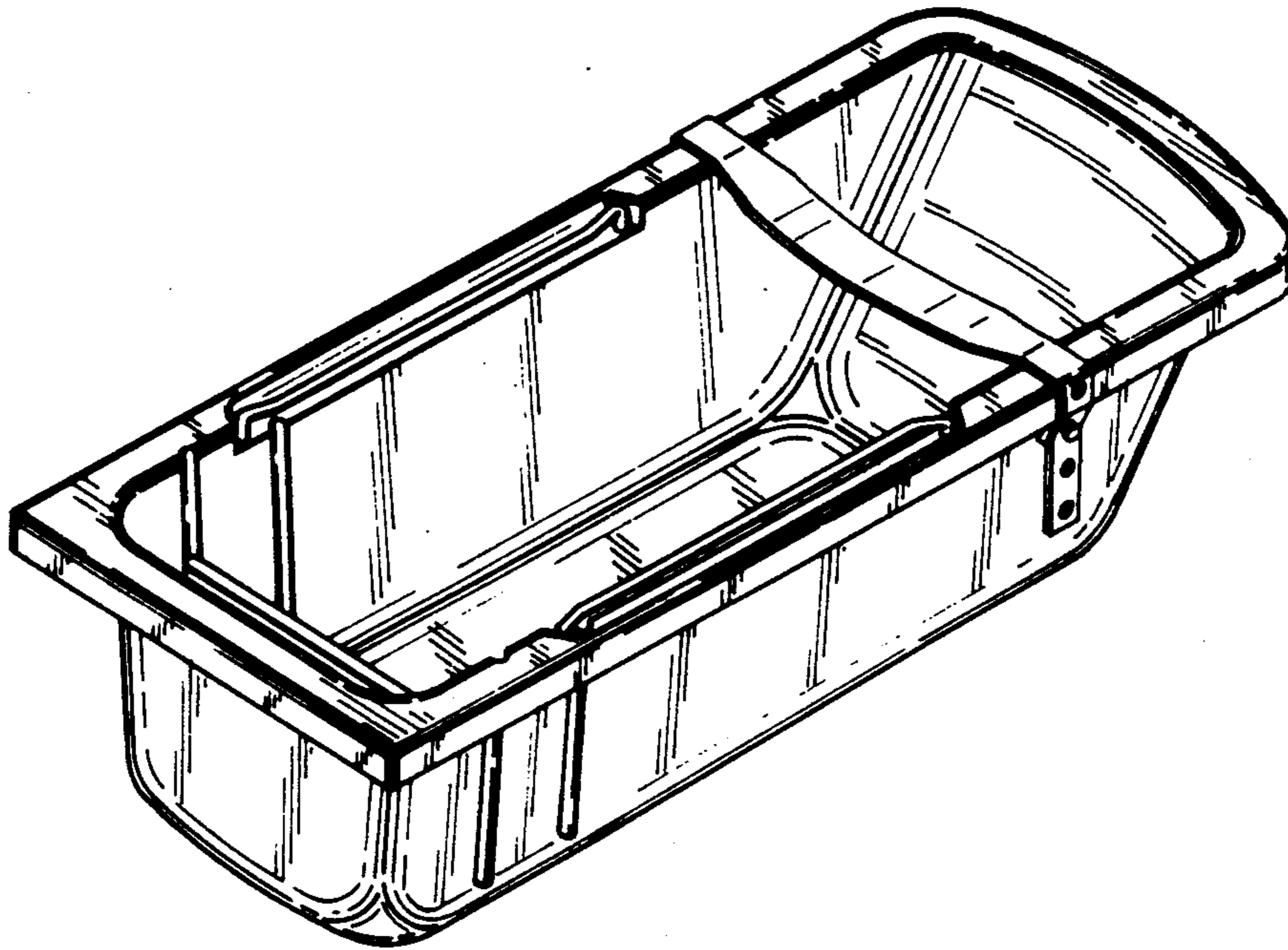


FIG. 1

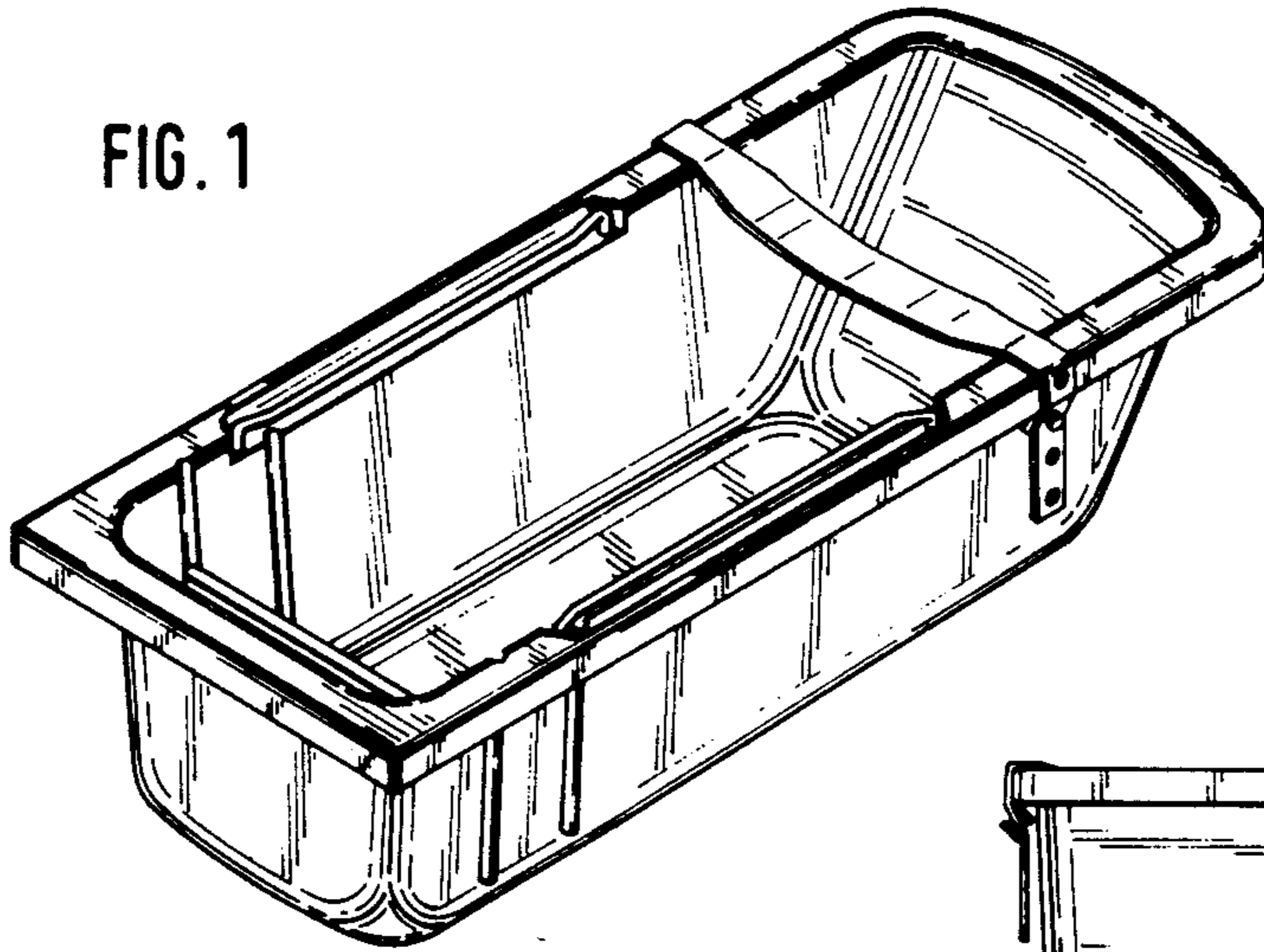


FIG. 6

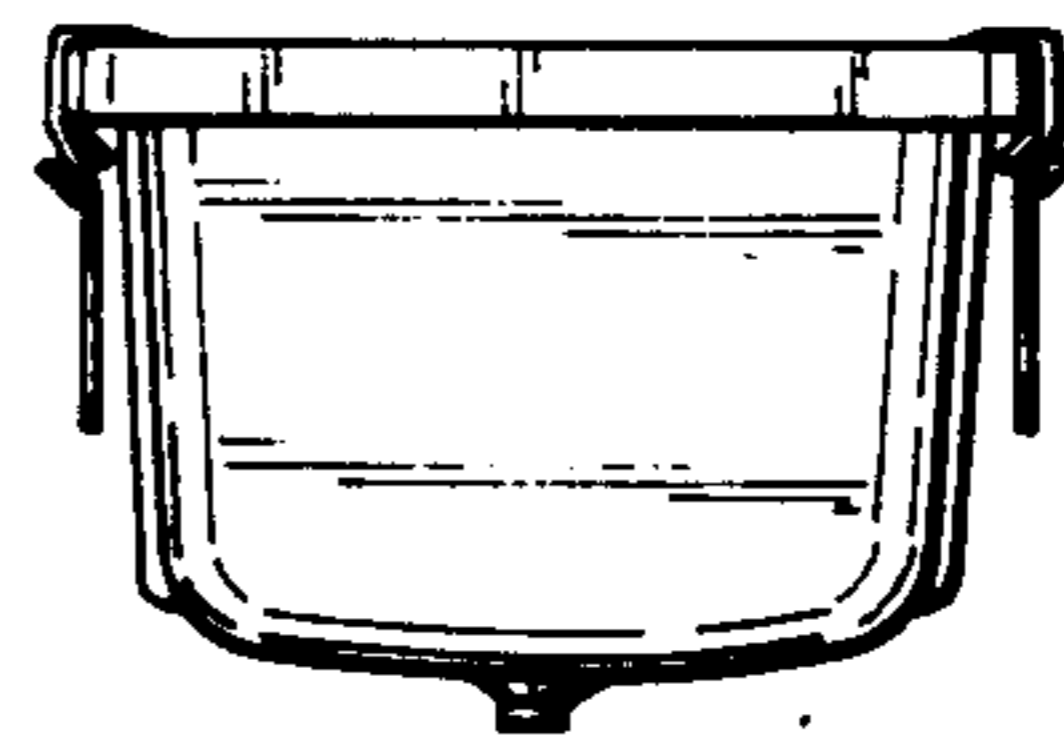


FIG. 2

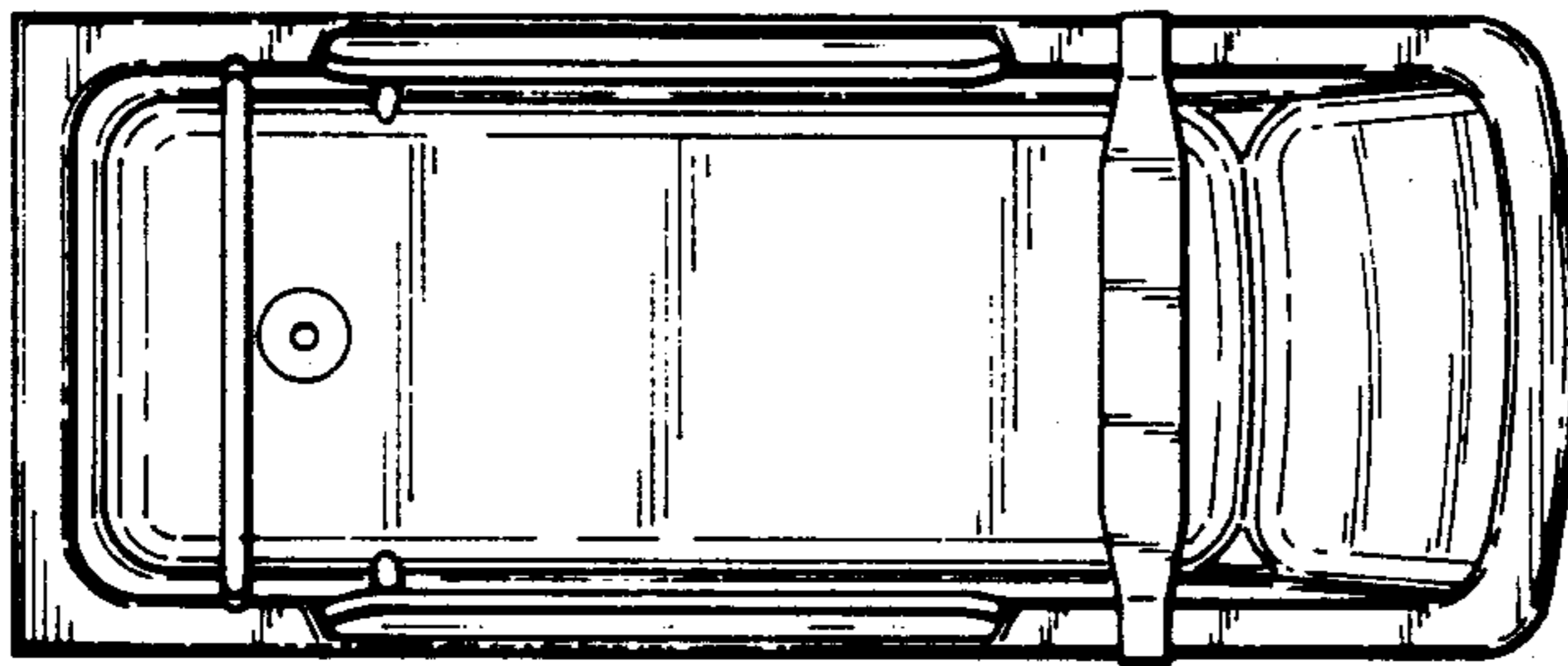


FIG. 3

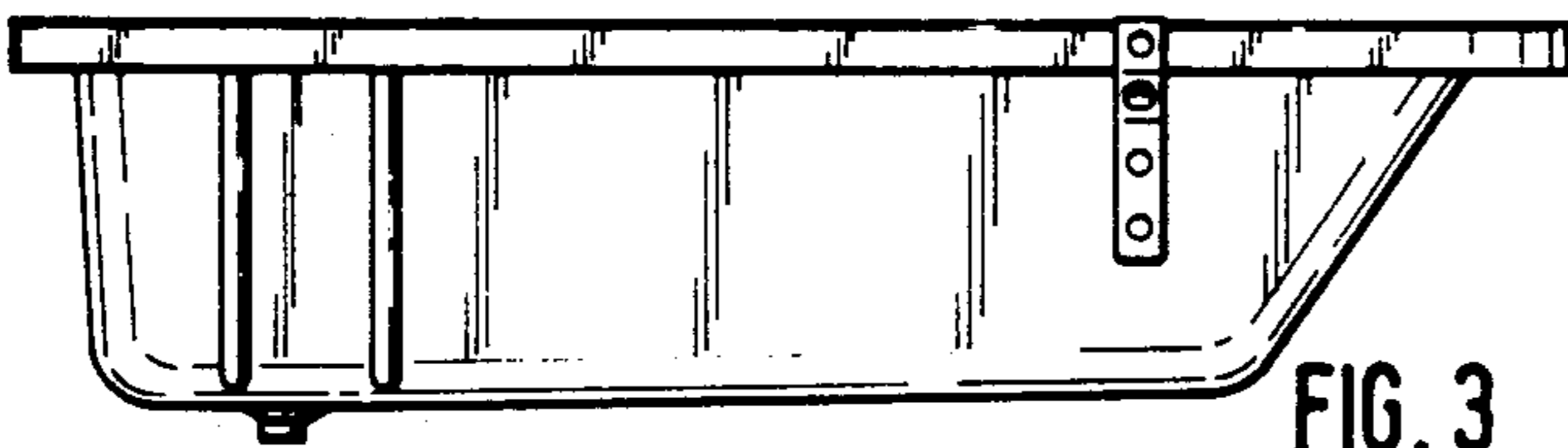


FIG. 5

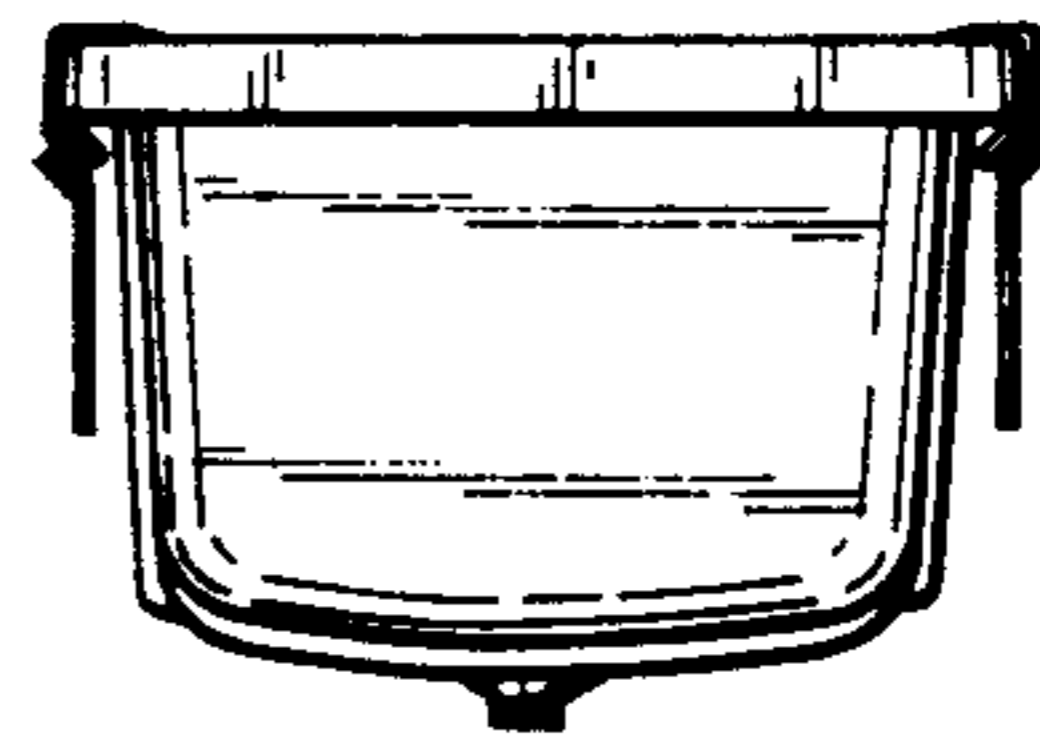


FIG. 4

