

[54] PLAYGROUND STRUCTURE

D. 250,784 1/1979 Dieter et al. .... D34/5 H

[75] Inventors: Berthold B. Dieter; Charles L. Gibson, both of Terre Haute, Ind.

OTHER PUBLICATIONS

Sweets Arch. File, 1977, Sect. 2.15/Mi, p. 2, bottom, Model 144-510.

[73] Assignee: Creative Playgrounds Corporation, Terre Haute, Ind.

Primary Examiner—Melvin B. Feifer  
Attorney, Agent, or Firm—Thomas P. Jenkins

[\*\*] Term: 14 Years

[57] CLAIM

[21] Appl. No.: 852,582

The ornamental design for playground structure, as shown.

[22] Filed: Nov. 17, 1977

[51] Int. Cl. .... D21-03

DESCRIPTION

[52] U.S. Cl. .... D21/244

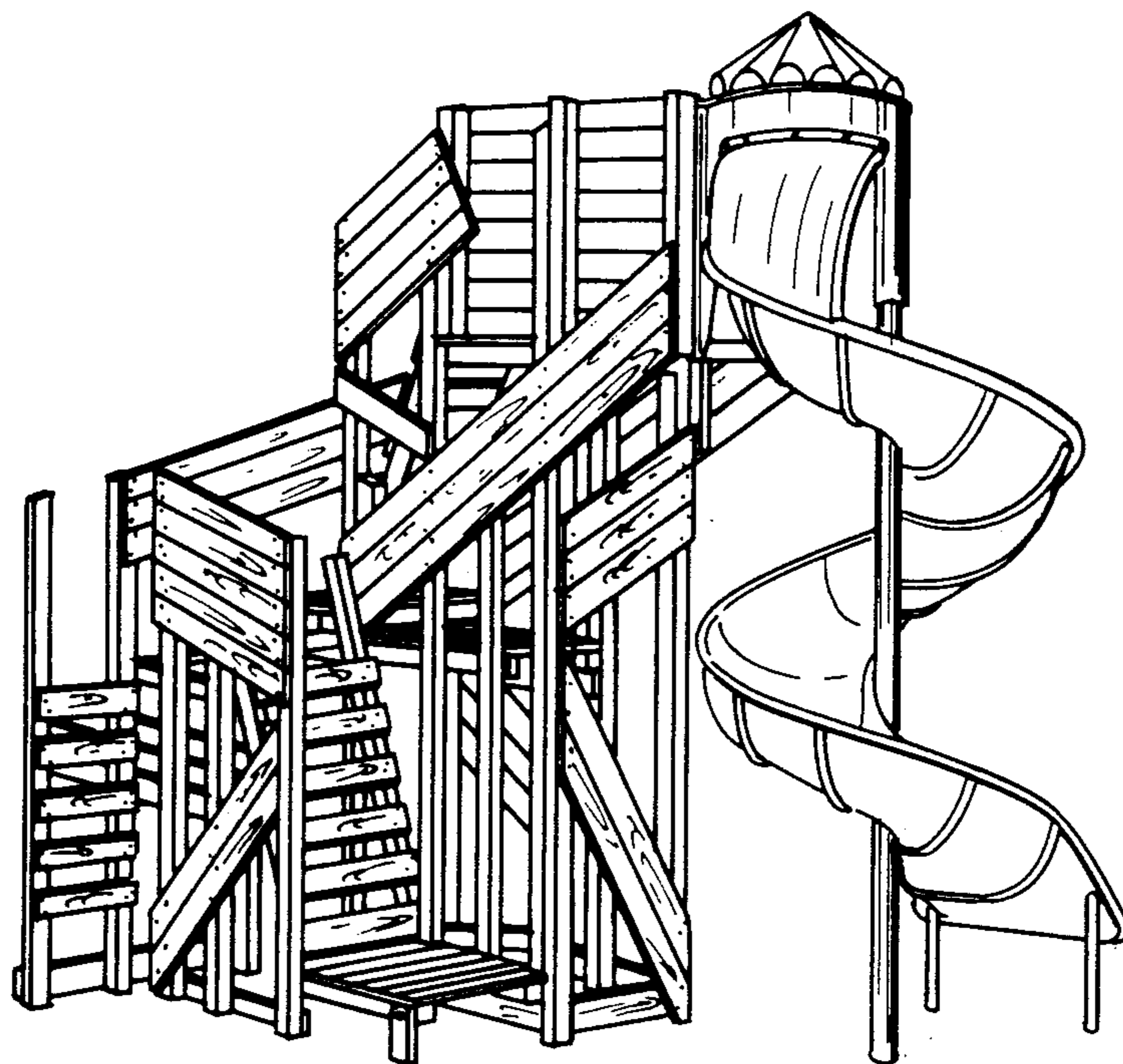
[58] Field of Search .... D34/5 H, 5 E, 5 L;  
272/56.5, 113

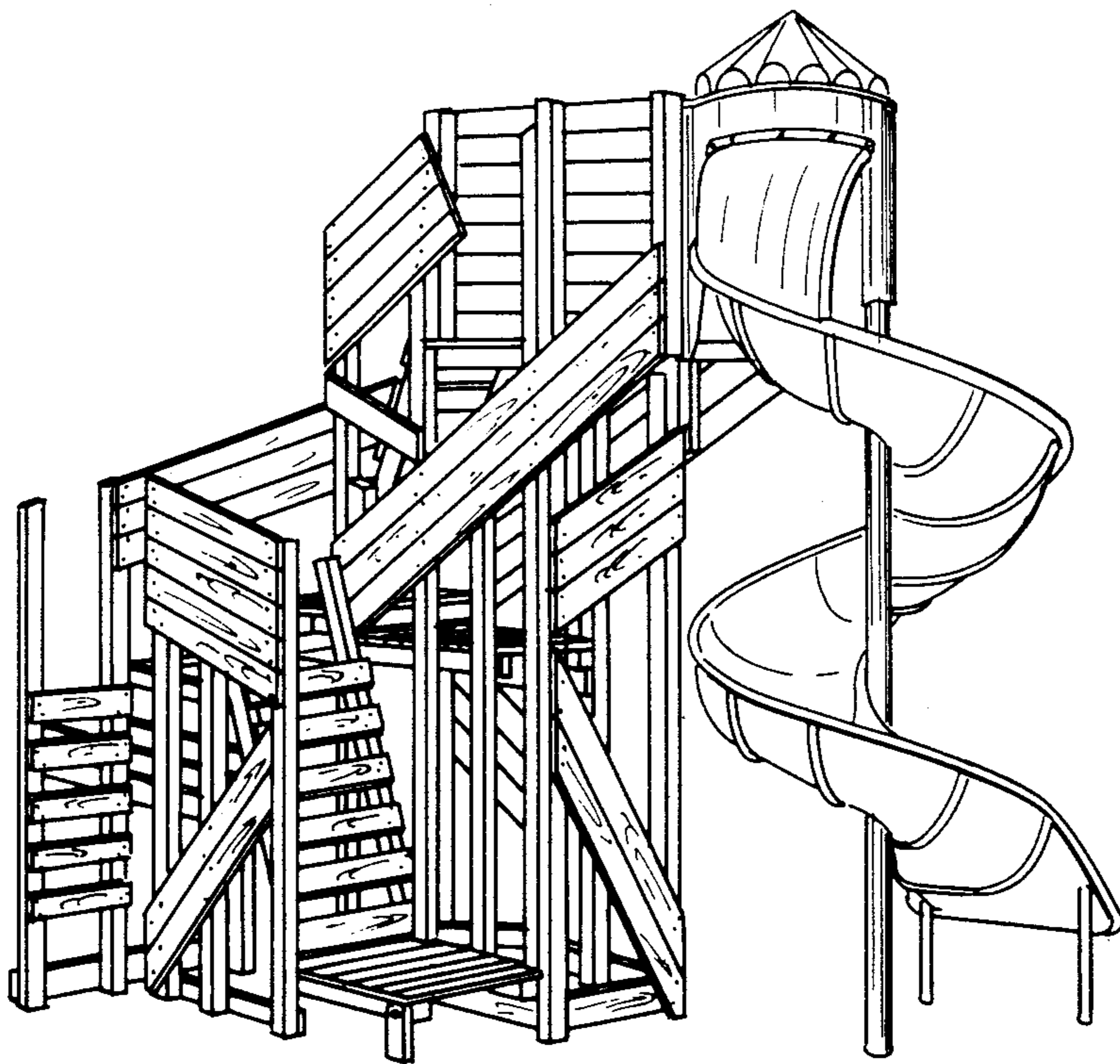
FIG. 1 is a perspective view showing the front and left sides of playground structure showing our new design; FIG. 2 is a right side elevational view of the structure; FIG. 3 is a rear elevational view of the playground structure shown in FIG. 1; and FIG. 4 is a top view, on a reduced scale, of the playground structure shown in FIG. 3.

[56] References Cited

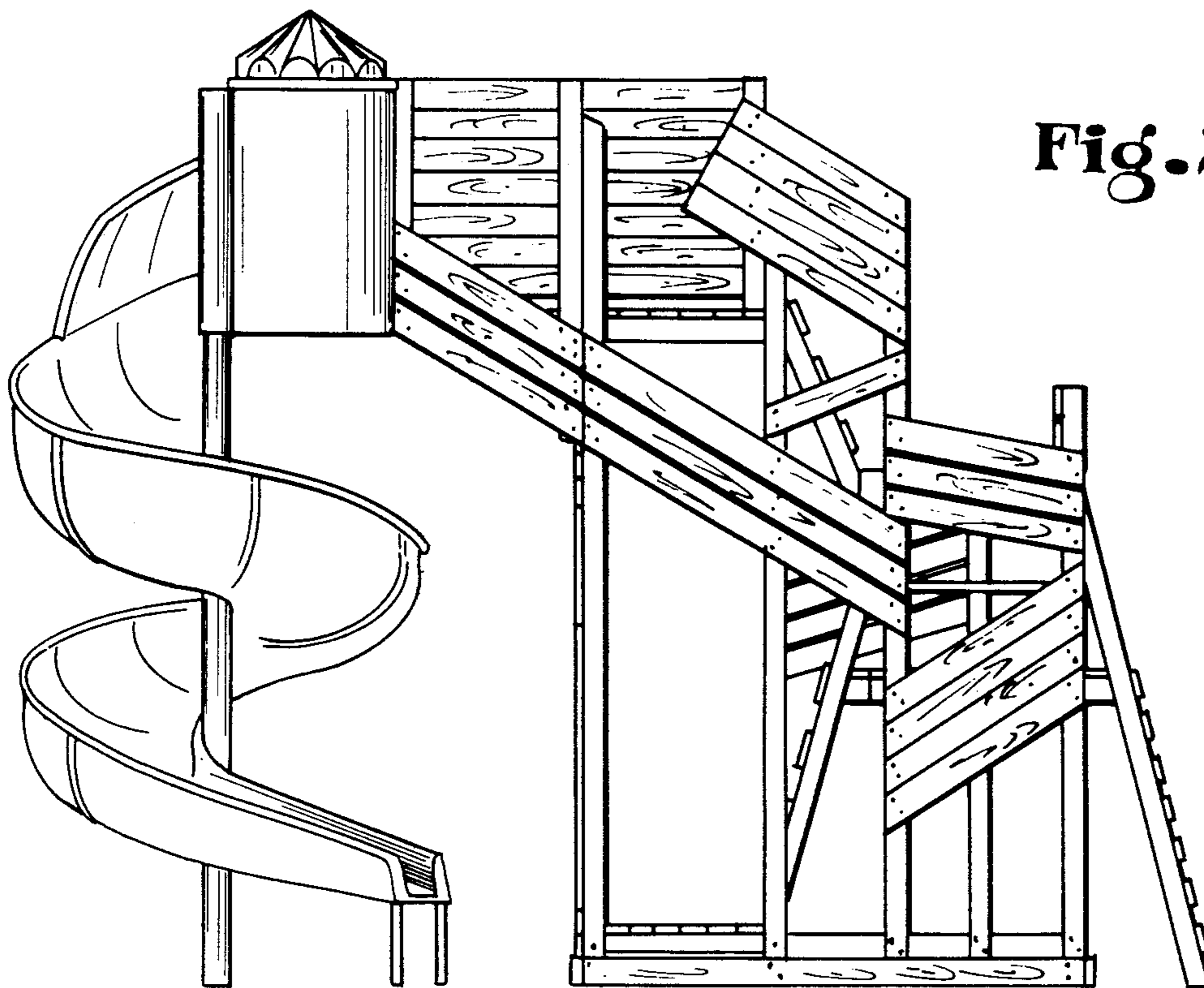
U.S. PATENT DOCUMENTS

D. 227,382 6/1973 Wormser et al. .... D34/5 E





**Fig. 1**



**Fig. 2**

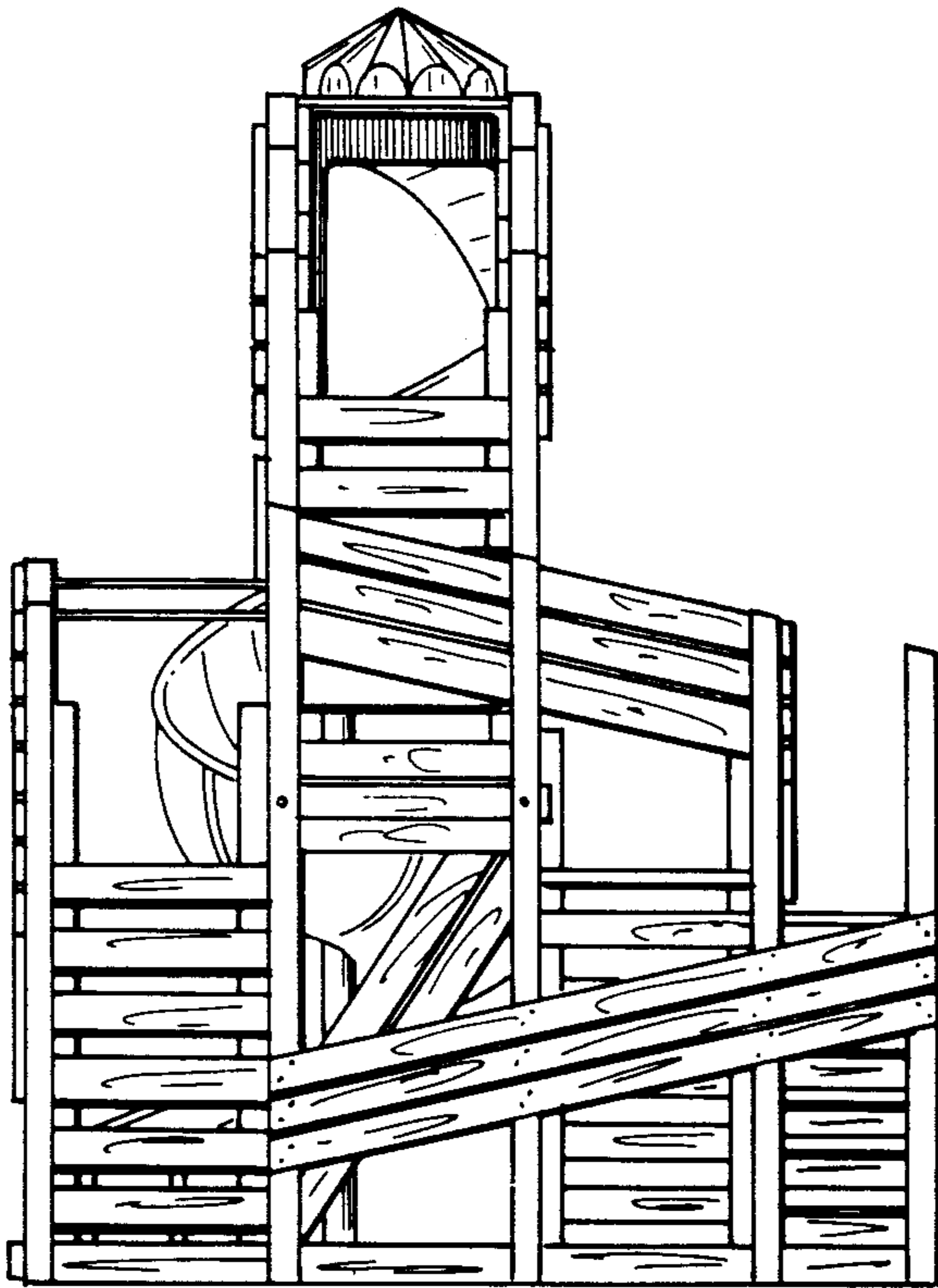


Fig. 3

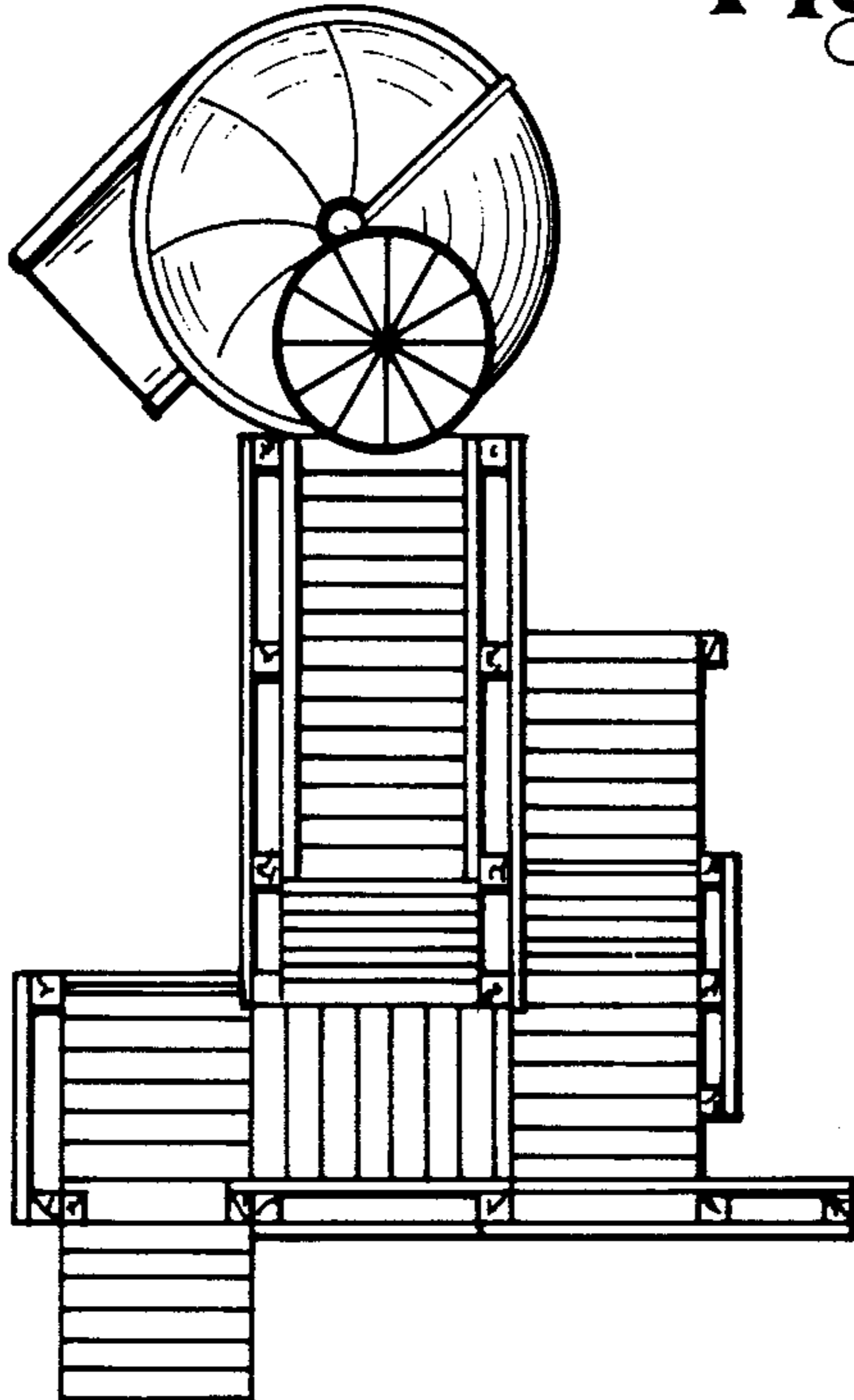


Fig. 4