

[54] TOY AIRPLANE

[76] Inventor: Mel Appel, 9 Nottingham Rd., Livingston, N.J. 07039

[**] Term: 14 Years

[21] Appl. No.: 808,245

[22] Filed: Jun. 20, 1977

[51] Int. Cl. D21-01

[52] U.S. Cl. D21/87

[58] Field of Search D34/15 HH, 15 HS, 15 HR; 46/74 R, 74 A, 76 R, 76 A, 78, 82; 272/31 A; D16/71, 80

[56] References Cited

U.S. PATENT DOCUMENTS

D. 168,497 12/1952 Calhoun D34/15 HH

D. 180,136 4/1957 Colman et al. D12/71
D. 191,019 8/1961 Thieblot D12/71
D. 217,193 4/1970 Lindsay D12/71

Primary Examiner—Melvin B. Feifer
Assistant Examiner—Charles A. Rademaker
Attorney, Agent, or Firm—Burton L. Lilling

[57] CLAIM

The ornamental design for a toy airplane, substantially as shown and described.

DESCRIPTION

FIG. 1 is a top plan view of a toy airplane showing my new design;
FIG. 2 is a front elevational view thereof;
FIG. 3 is a left side elevational view thereof, the right side being a mirror image thereof;
FIG. 4 is a rear elevational view thereof; and,
FIG. 5 is a bottom plan view thereof.

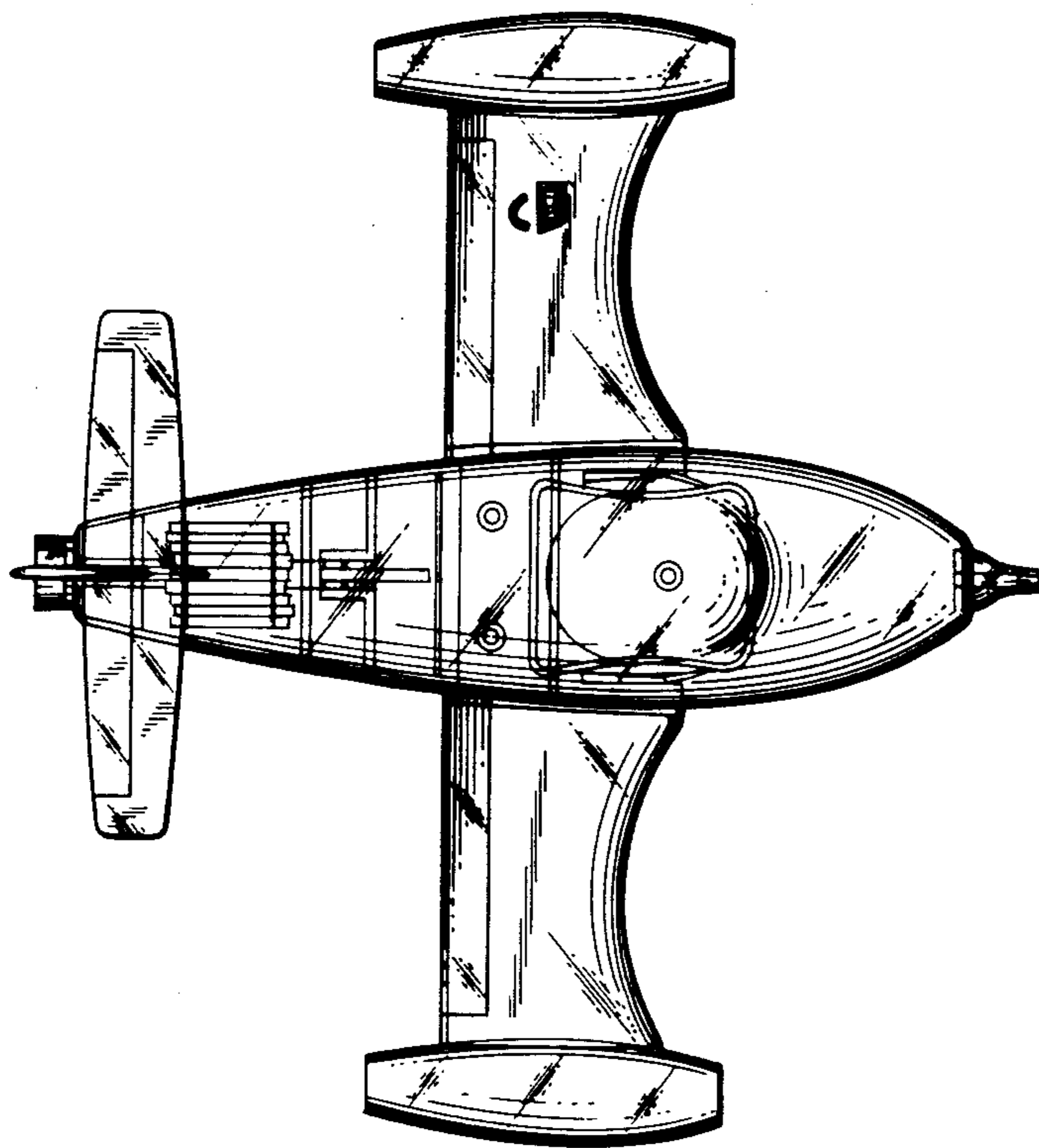


FIG. 1

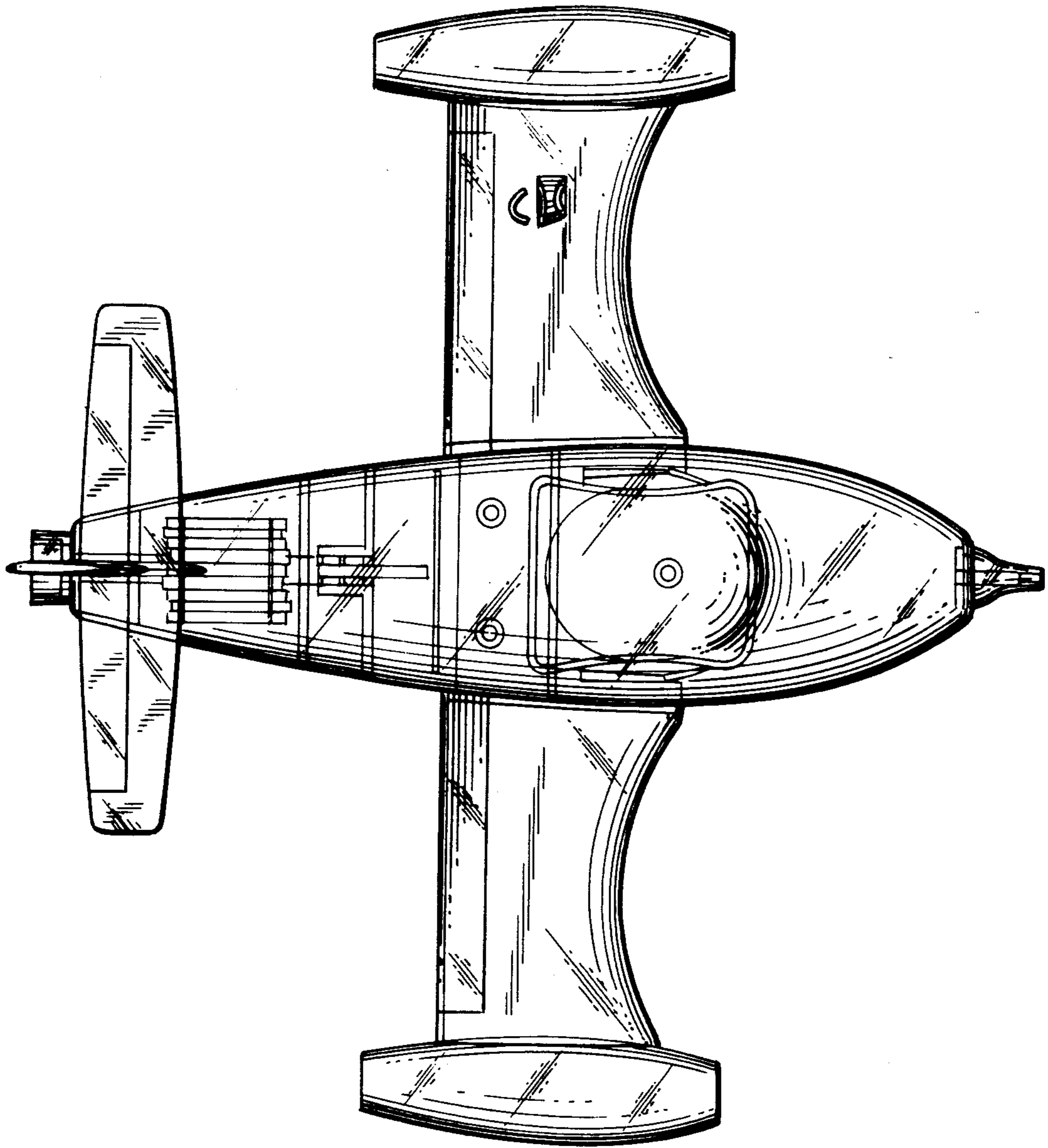


FIG. 2

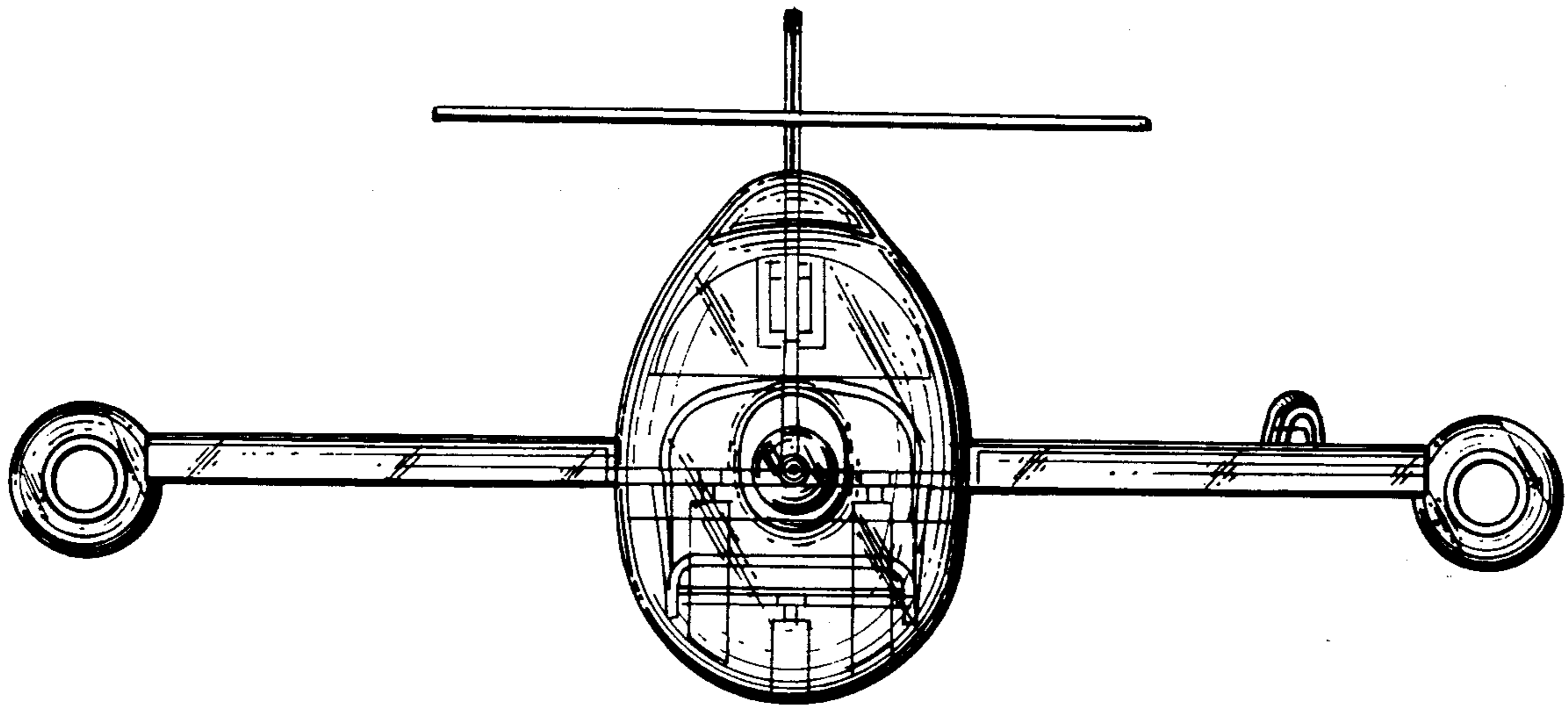


FIG. 3

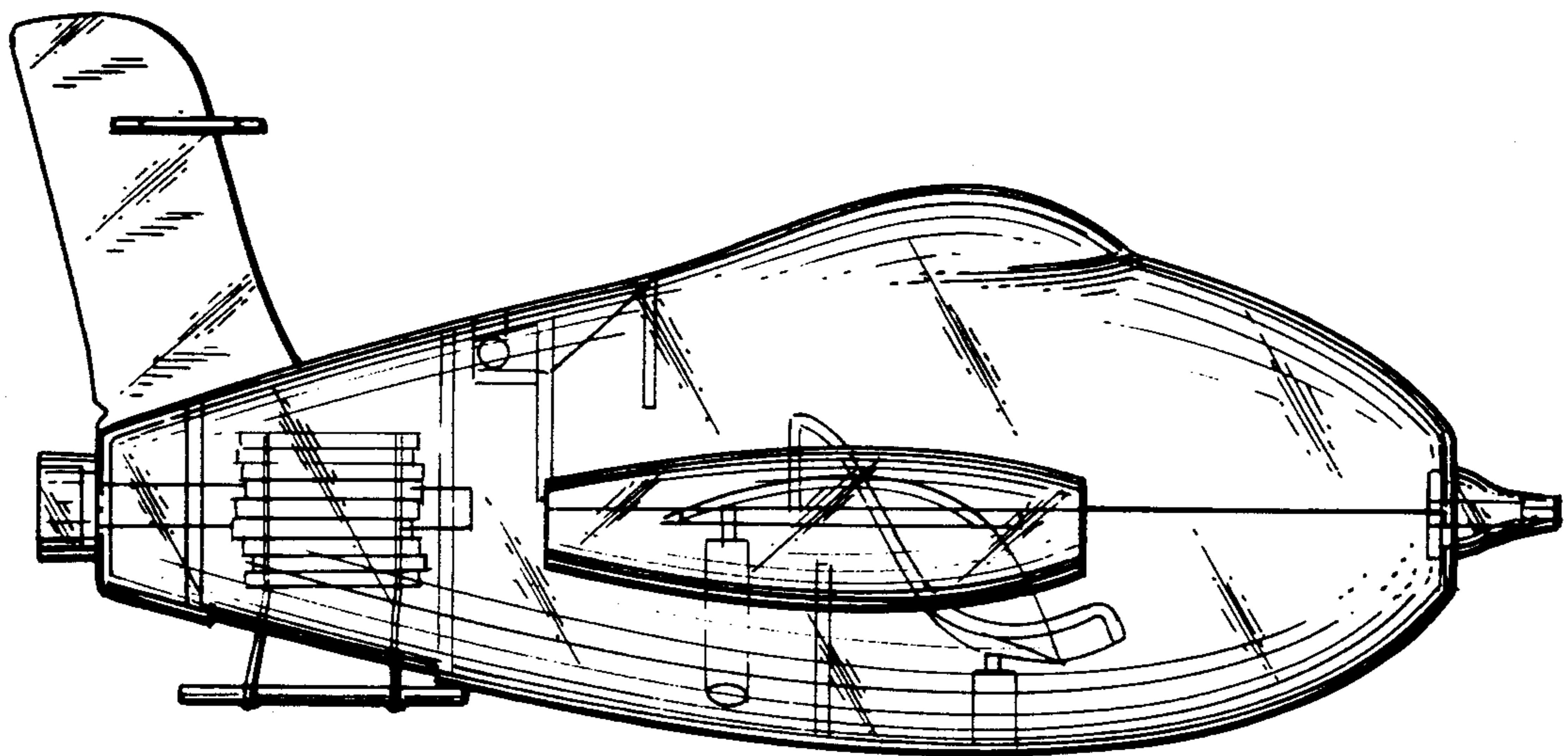


FIG. 4

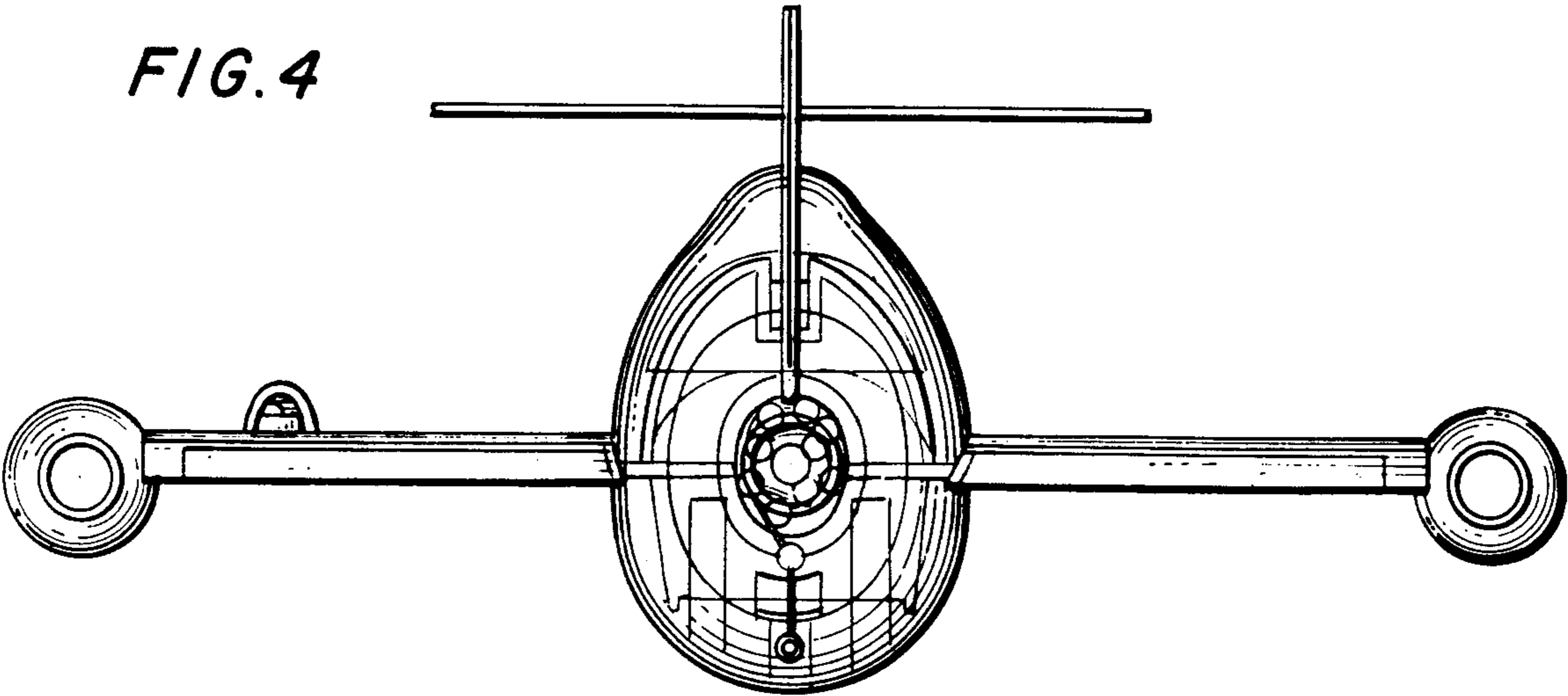


FIG. 5

