

[54] TYPEWRITER

D. 237,215 10/1975 Bellini ..... D18/1

[75] Inventor: John E. Jolliffe, Manlius, N.Y.

OTHER PUBLICATIONS

[73] Assignee: SCM Corporation, New York, N.Y.

*Design*, Apr. 1959, p. 56, item 7—Portable Typewriter at left.

[\*\*] Term: 14 Years

*Primary Examiner*—Louis S. Zarfes

[21] Appl. No.: 875,467

*Attorney, Agent, or Firm*—Milton M. Wolson

[22] Filed: Feb. 6, 1978

[57] CLAIM

The ornamental design for a typewriter, as shown.

[51] Int. Cl. .... D18—01

[52] U.S. Cl. .... D18/1

[58] Field of Search ..... D14/45; D18/1, 7, 8, D18/99; 400/691-694

DESCRIPTION

FIG. 1 is a front perspective view of a typewriter showing my new design;

FIG. 2 is a top plan view thereof;

FIG. 3 is a front elevational view thereof;

FIG. 4 is a rear elevational view thereof;

FIG. 5 is a bottom plan view thereof;

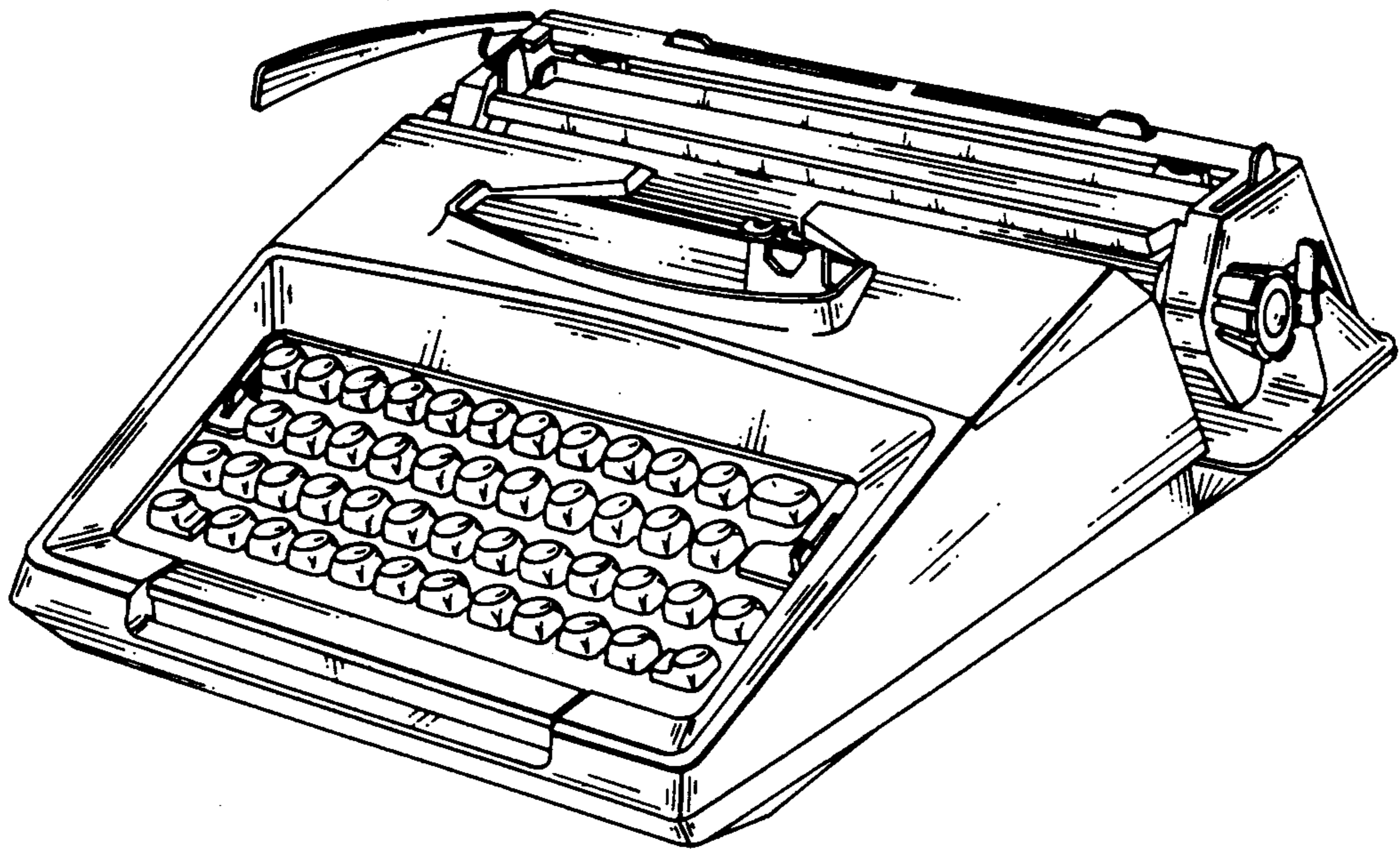
FIG. 6 is a right side elevational view thereof; and

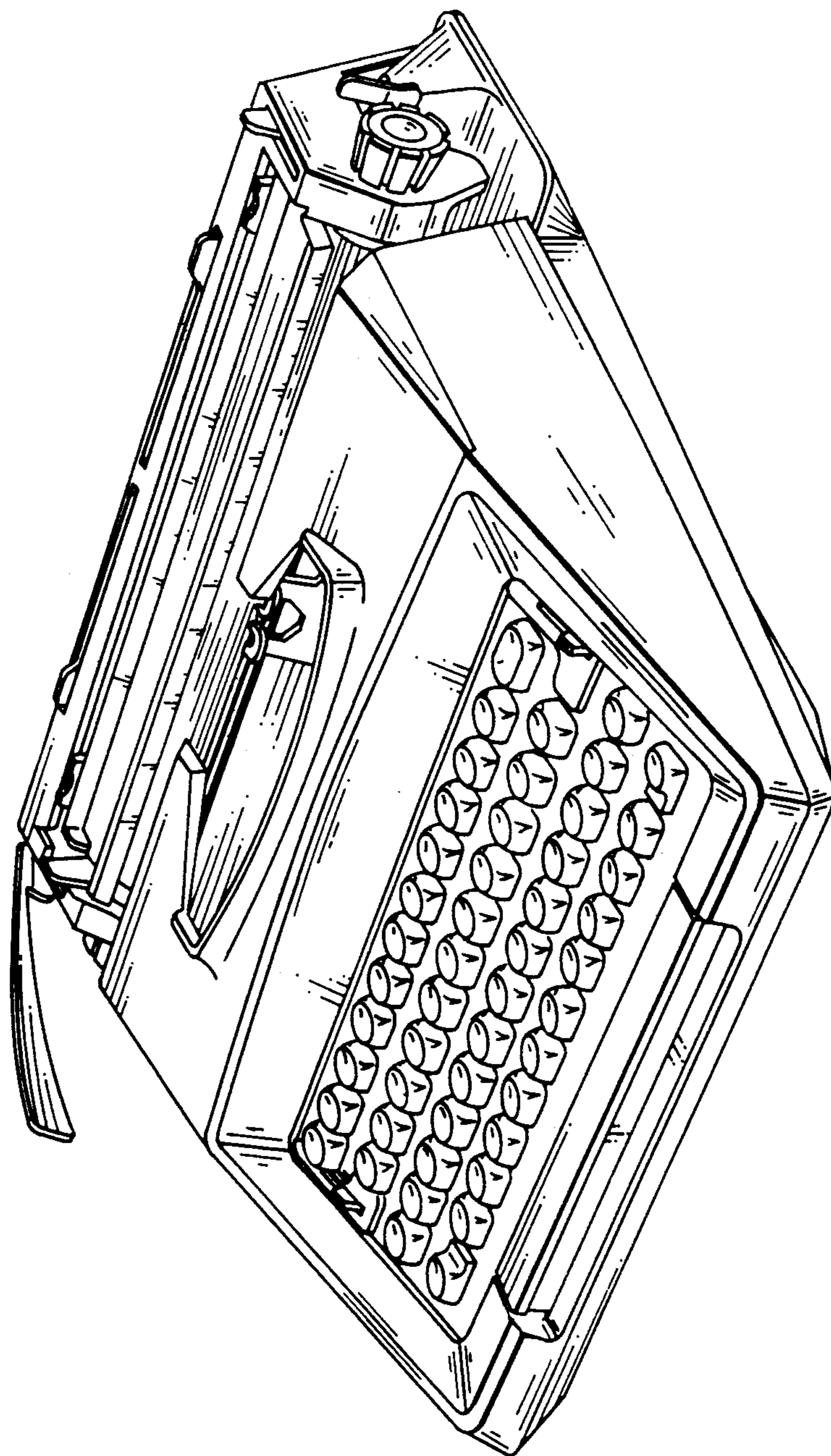
FIG. 7 is a left side elevational view thereof.

[56] References Cited

U.S. PATENT DOCUMENTS

- D. 205,742 9/1966 Sundberg ..... D18/1
- D. 219,718 1/1971 Penney ..... D18/1
- D. 237,109 10/1975 Genaro et al. .... D18/1 X





2 100

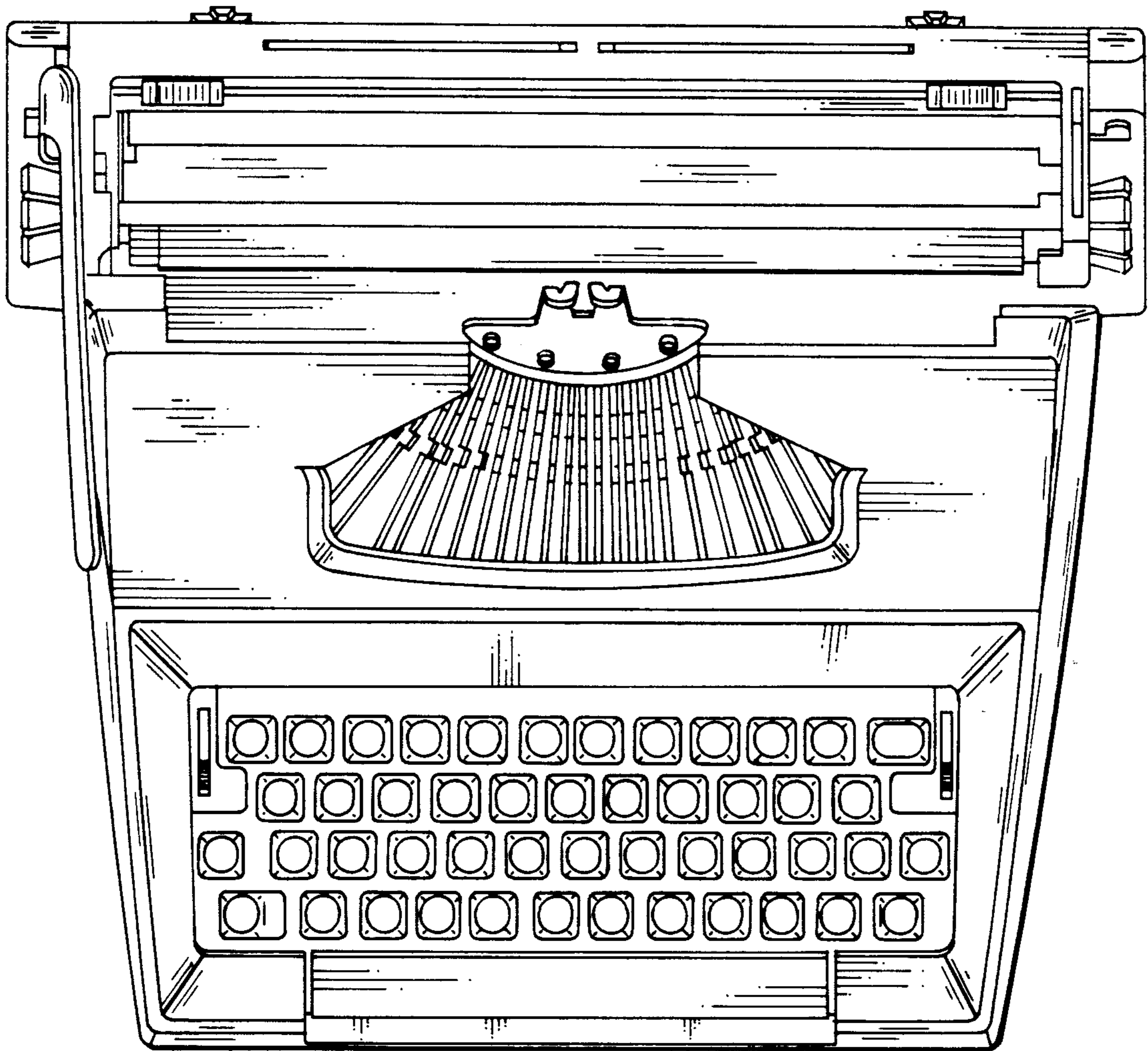


FIG 2

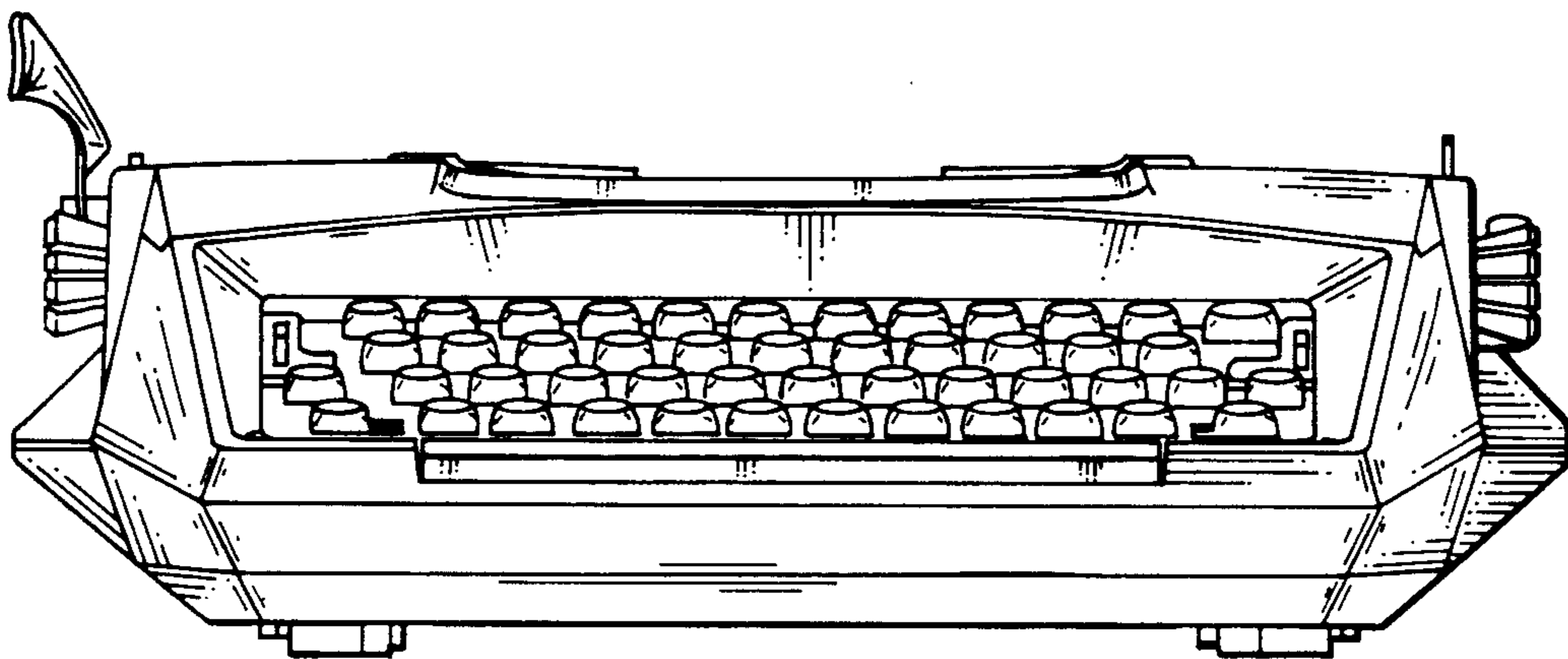


FIG 3

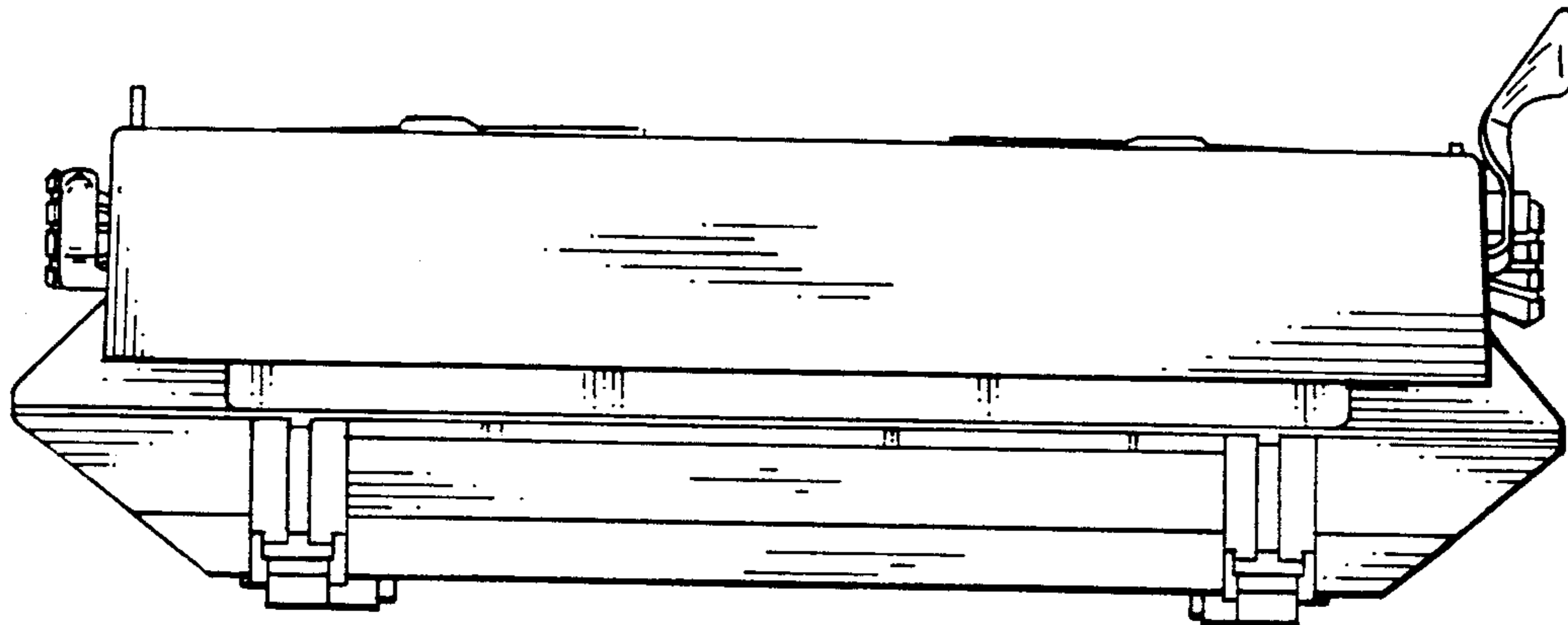


FIG 4

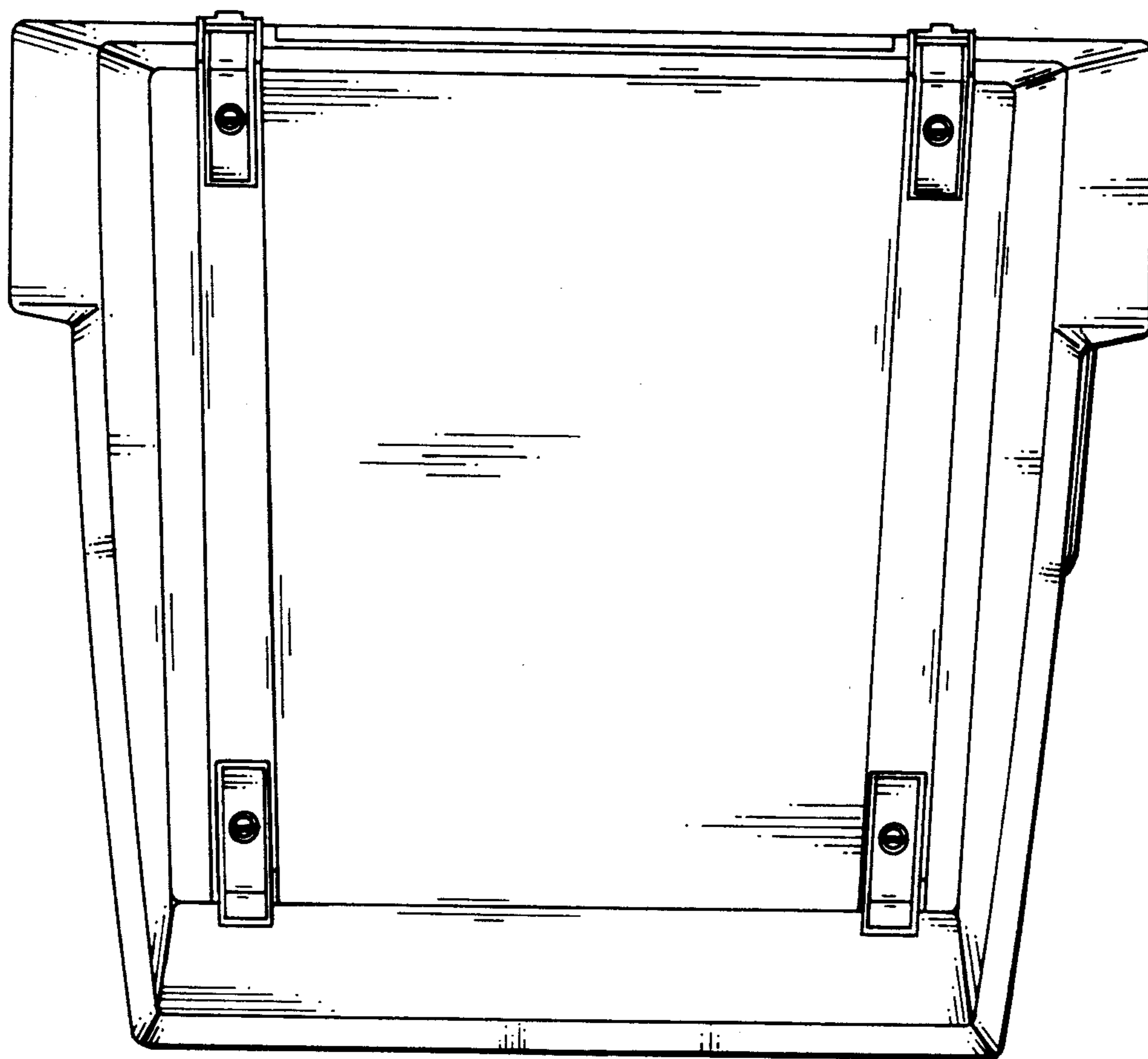


FIG 5

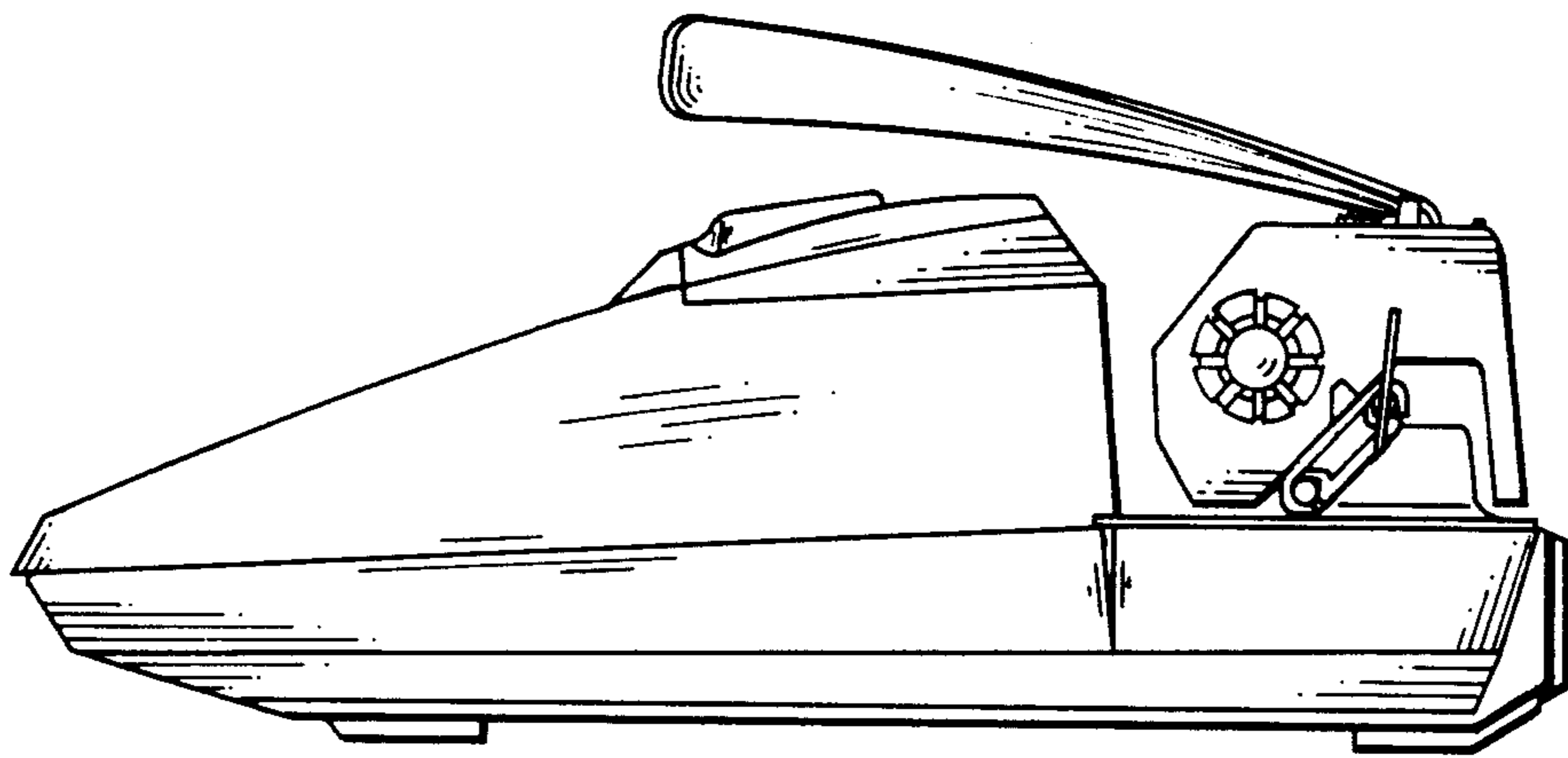


FIG 6

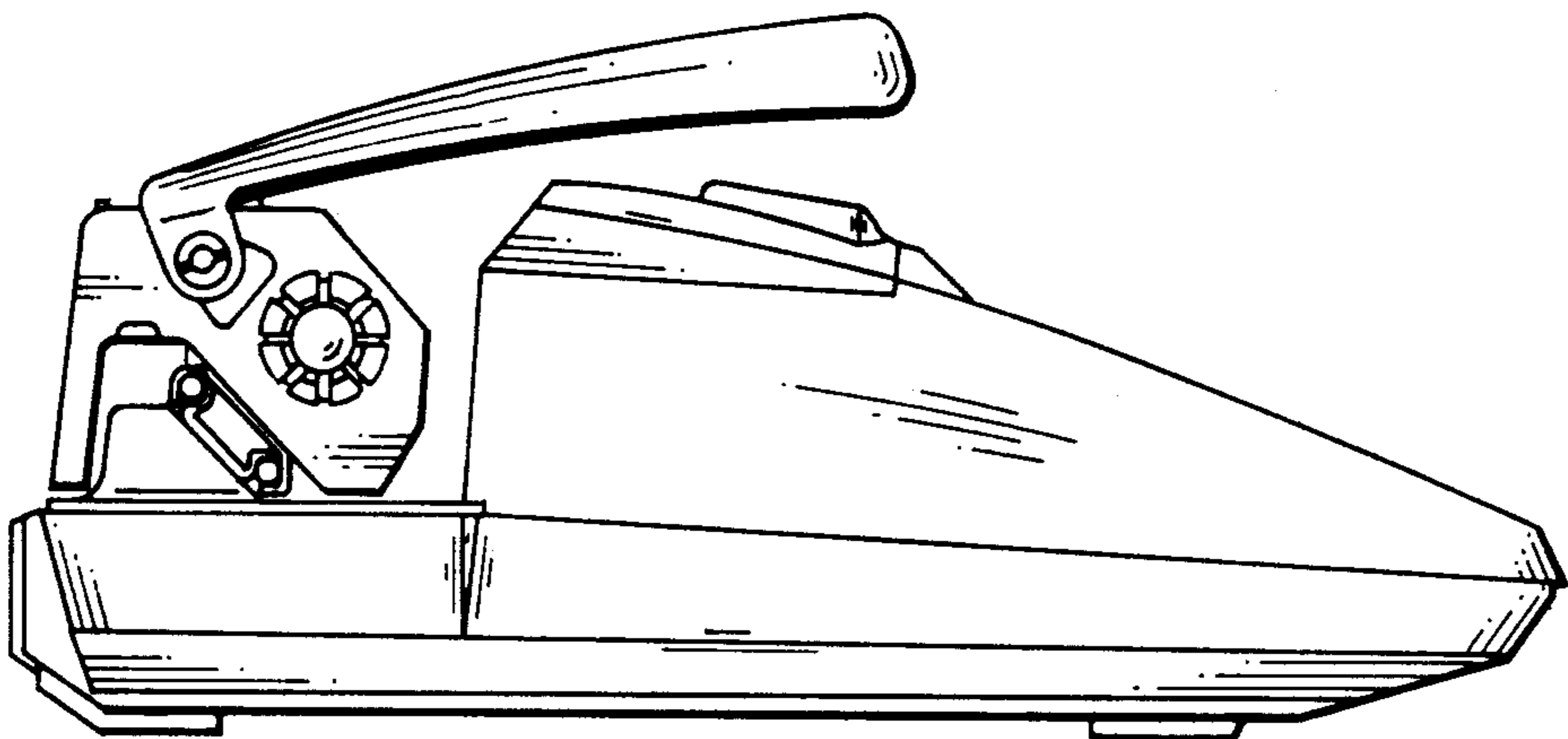


FIG 7