

[54] **STRINGED INSTRUMENT BEZEL**

[75] Inventor: **James H. Rickard**, Harwinton, Conn.

[73] Assignee: **Ovation Instruments, Inc.**, New Hartford, Conn.

[\*\*] Term: **14 Years**

[21] Appl. No.: **760,743**

[22] Filed: **Jan. 19, 1977**

[51] Int. Cl. .... **D17-03**

[52] U.S. Cl. .... **D17/20**

[58] Field of Search ..... **D56/1 R, 1 A; 84/267, 84/291, 292, 299**

[56] **References Cited**

**U.S. PATENT DOCUMENTS**

D. 170,109 8/1953 **Bigsby** ..... **D56/1 A**  
3,124,991 3/1964 **Costen** ..... **84/267**

**FOREIGN PATENT DOCUMENTS**

143434 11/1935 **Fed. Rep. of Germany** ..... **84/267**

*Primary Examiner—Joel Stearman*

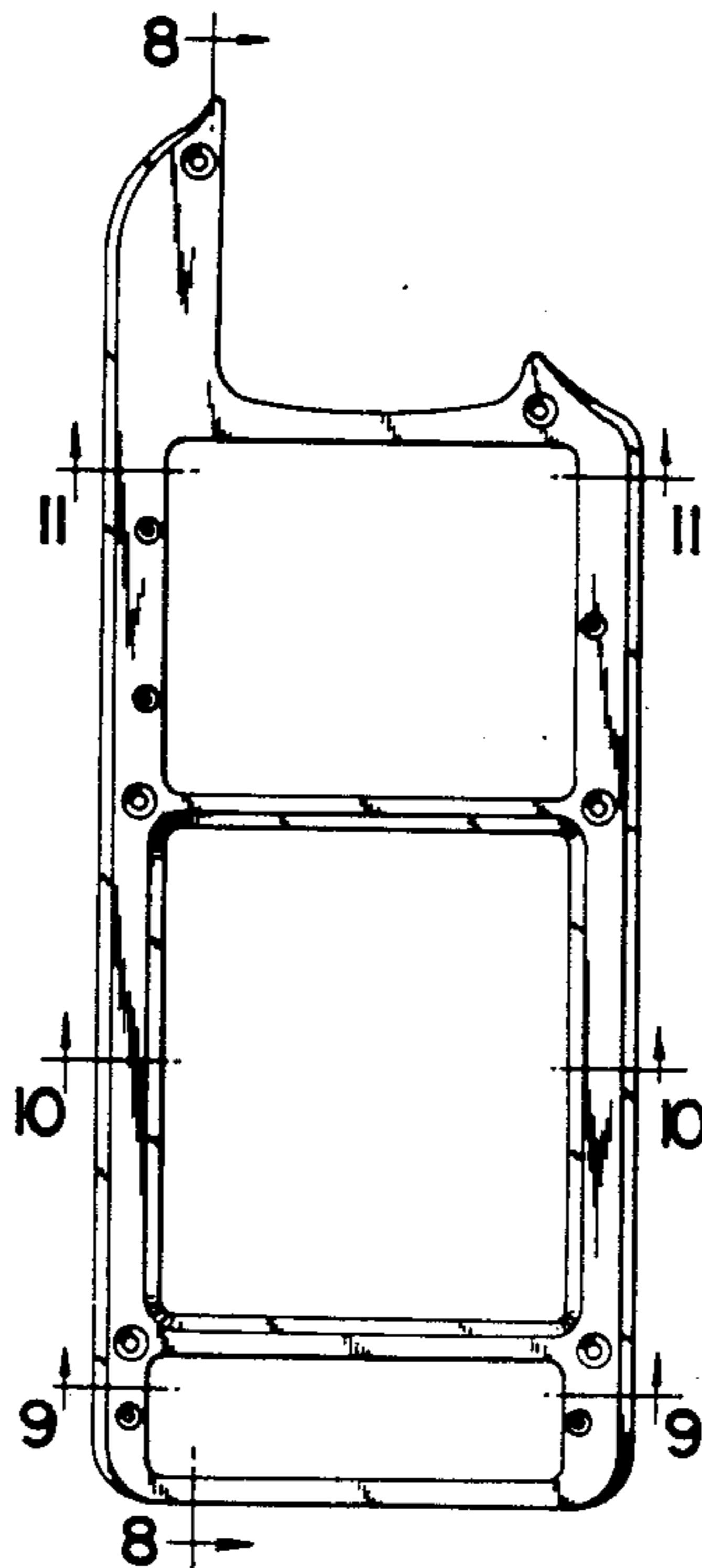
*Assistant Examiner—Jane E. Corrigan*  
*Attorney, Agent, or Firm—Donald K. Huber*

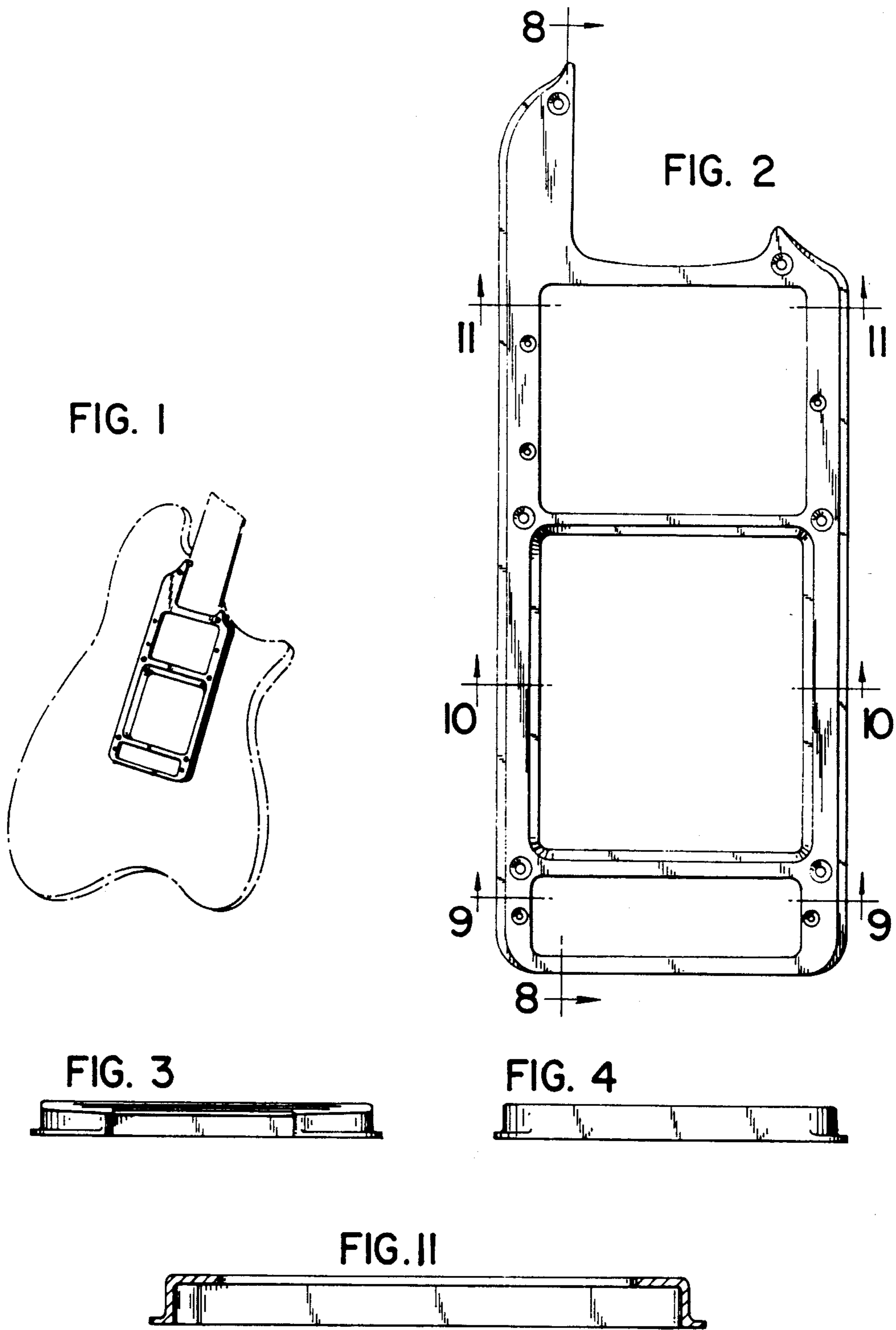
[57] **CLAIM**

The ornamental design for a stringed instrument bezel, as shown and described.

**DESCRIPTION**

FIG. 1 is a front and right side perspective view of a stringed instrument bezel showing my new design;  
FIG. 2 is a front elevational view;  
FIG. 3 is a top plan view;  
FIG. 4 is a bottom plan view;  
FIG. 5 is a left side elevational view;  
FIG. 6 is a right side elevational view;  
FIG. 7 is a rear elevational view;  
FIG. 8 is a sectional view taken along line 8—8 in FIG. 2;  
FIG. 9 is a sectional view taken along line 9—9 in FIG. 2;  
FIG. 10 is a sectional view taken along line 10—10 in FIG. 2; and  
FIG. 11 is a sectional view taken along line 11—11 in FIG. 2.





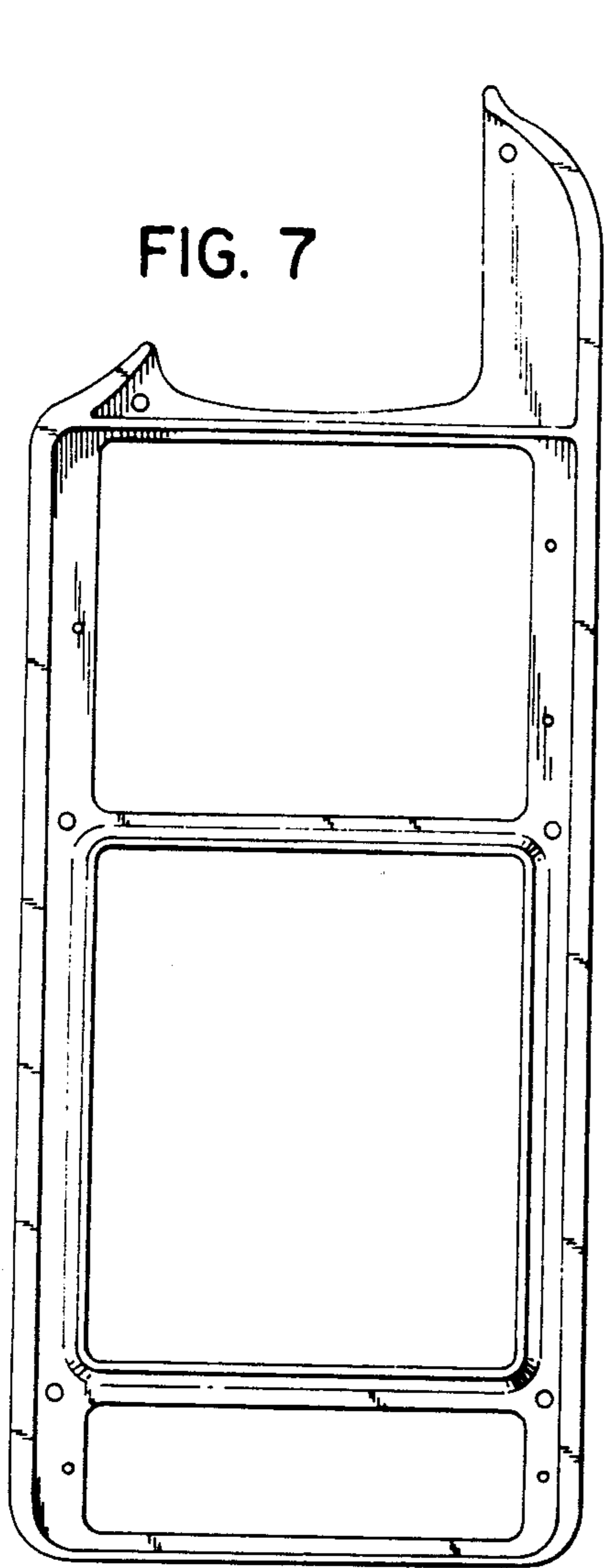


FIG. 5



FIG. 6



FIG. 8



FIG. 10

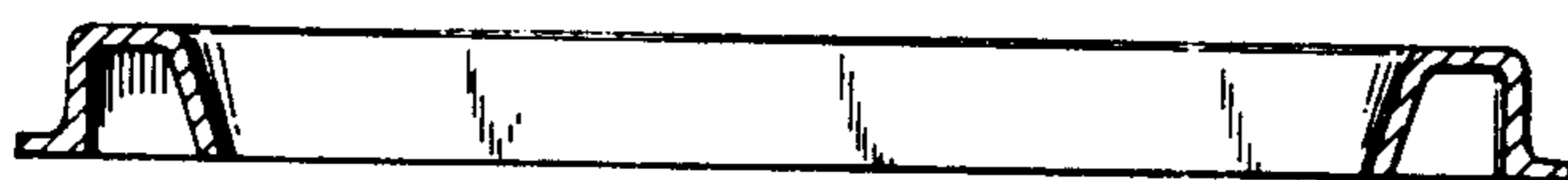


FIG. 9

