

[54] STEAM SELF CONTAINED KETTLE

[56]

References Cited

PUBLICATIONS

[76] Inventor: William M. Bardeau, 158 Norfinch Dr., Downsview, Ontario, Canada, M3N 1Y1

Food Service Equipment Product Directory '74 p. 71-Steam Kettle Model PT.

Primary Examiner—Susan J. Lucas  
Assistant Examiner—Catherine Kemper  
Attorney, Agent, or Firm—Weldon F. Green

[\*\*] Term: 14 Years

[57]

CLAIM

[21] Appl. No.: 804,082

The ornamental design for a steam self contained kettle, as shown.

[22] Filed: Jun. 13, 1977

DESCRIPTION

[51] Int. Cl. .... D15-08

FIG. 1 is a front perspective view of a "steam self contained kettle" showing my new design;

[52] U.S. Cl. .... D15/104

FIG. 2 is a top plan view thereof;

[58] Field of Search ..... D15/92, 104; 126/345,

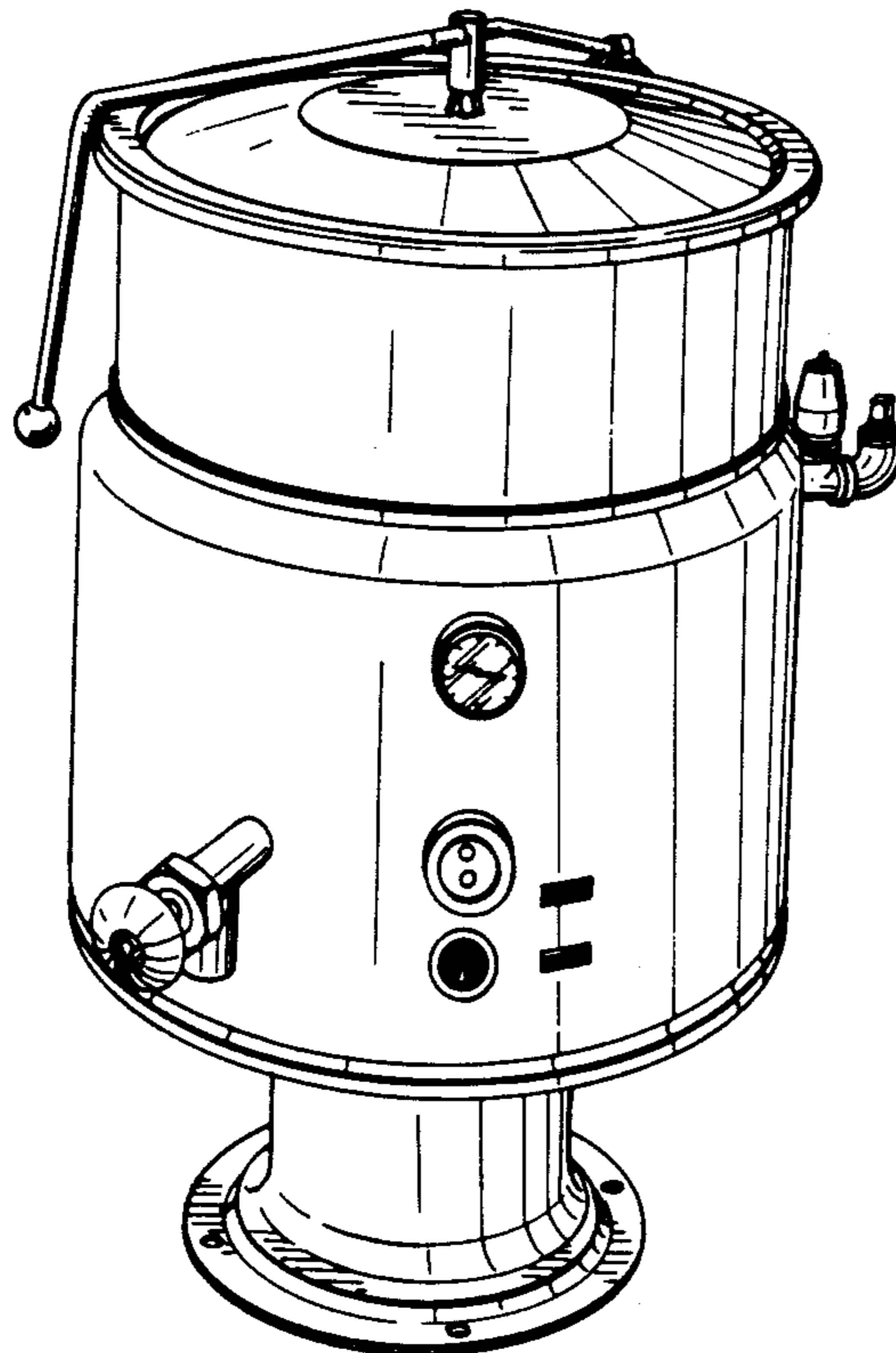
FIG. 3 is a right side elevational view thereof;

126/348, 349, 369, 373-377; 426/510, 511;

FIG. 4 is a rear perspective view thereof; and

99/410, 467

FIG. 5 is a left side elevational view thereof.



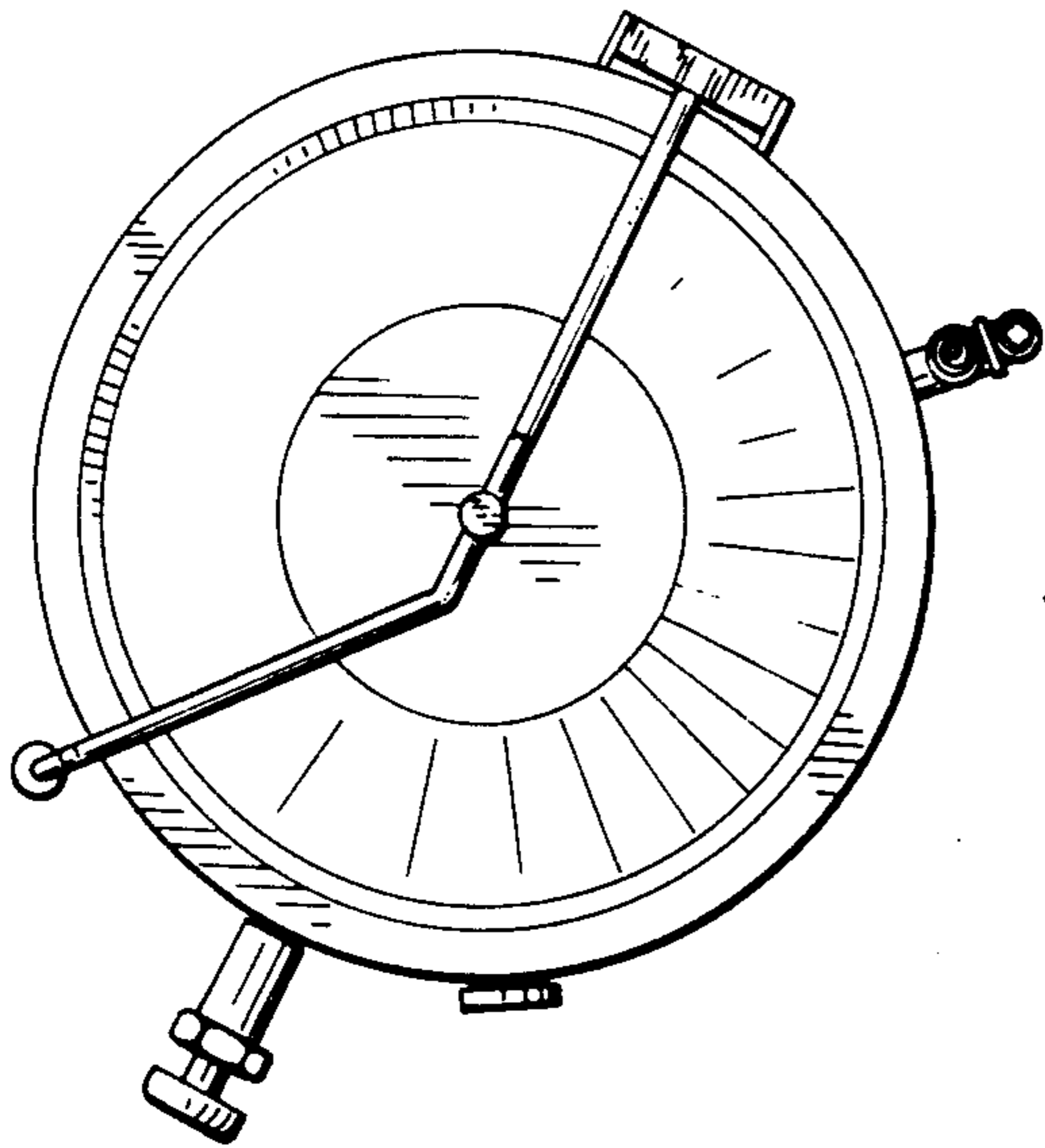


FIG. 2

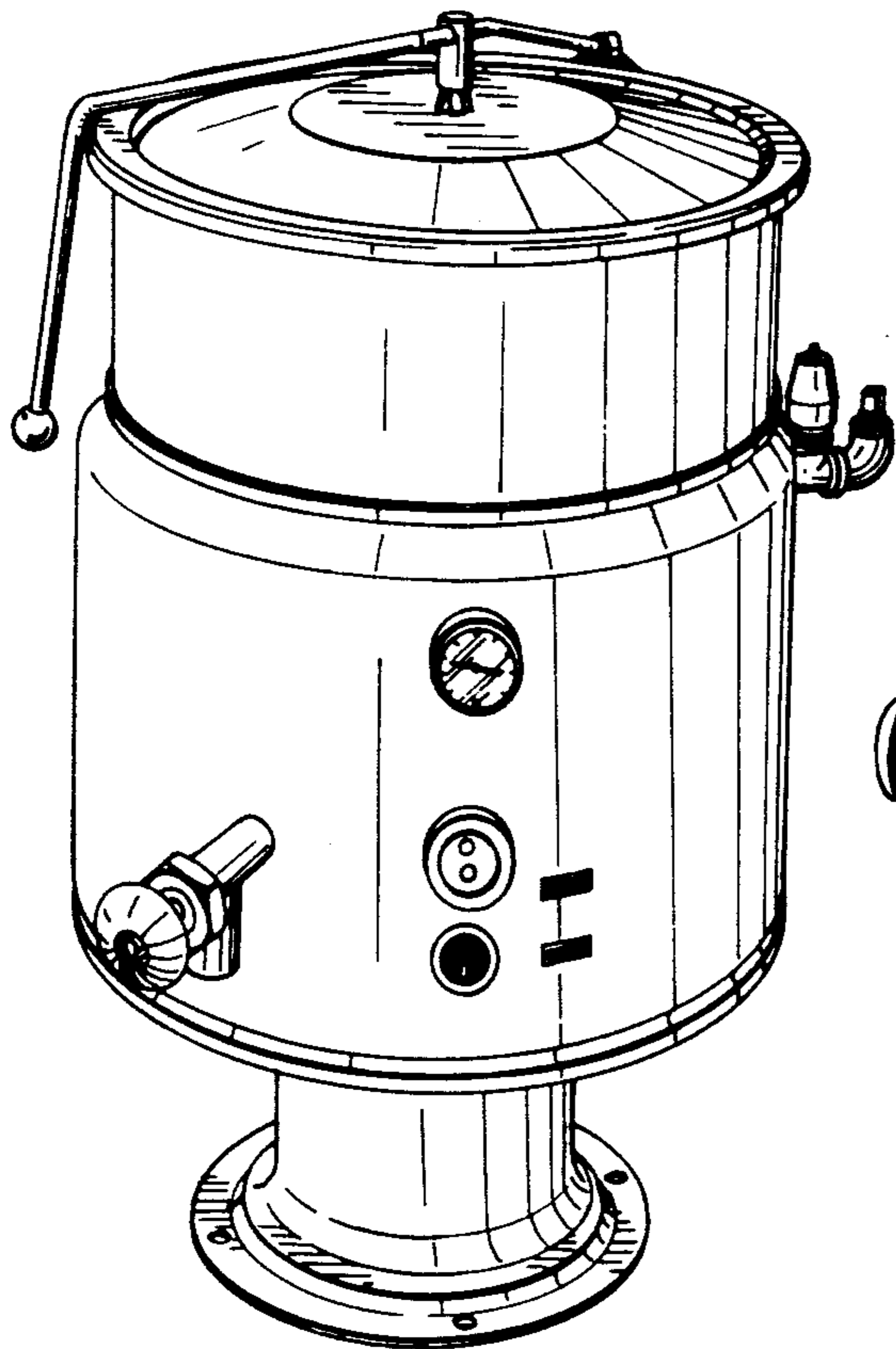


FIG. 1

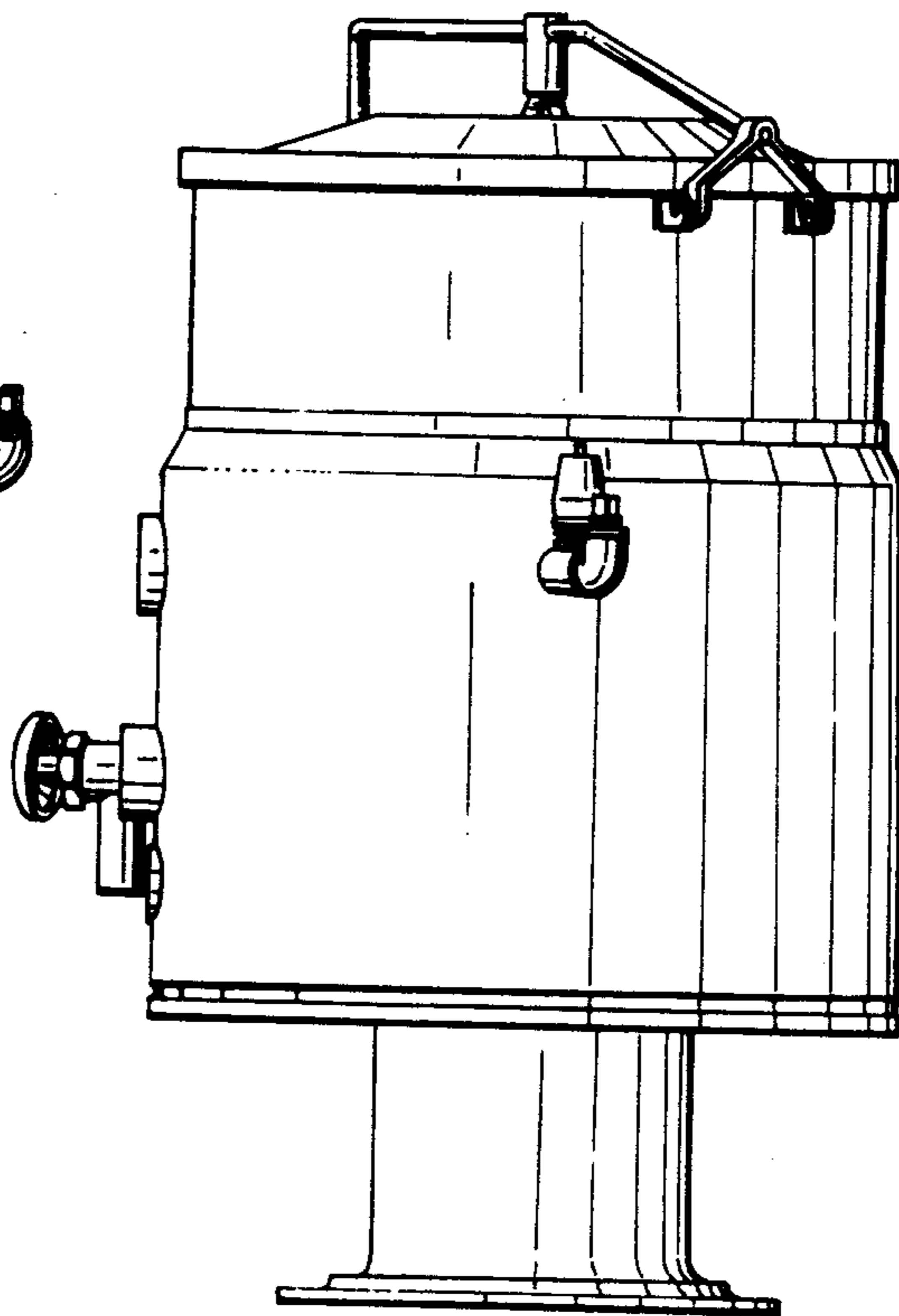


FIG. 3

FIG. 5

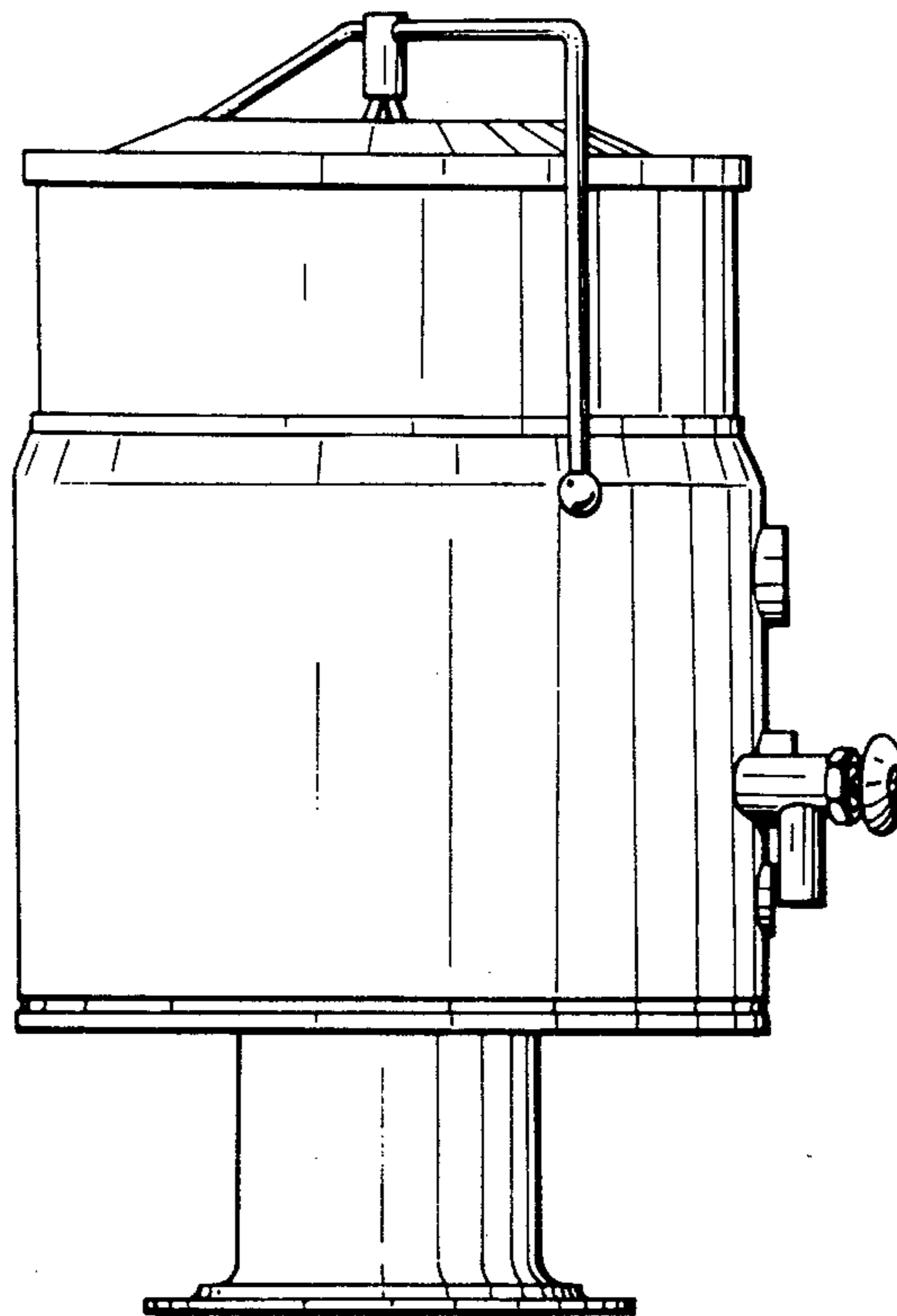


FIG. 4

