

[54] SEWING MACHINE

[75] Inventor: Cristian J. Felix, Flushing, N.Y.

[73] Assignee: The Singer Company

[**] Term: 14 Years

[21] Appl. No.: 781,899

[22] Filed: Mar. 28, 1977

[51] Int. Cl. D15-06

[52] U.S. Cl. D15/70

[58] Field of Search D15/66-76, 78

[56] References Cited

U.S. PATENT DOCUMENTS

- D. 217,306 4/1970 Grange D15/69
- D. 223,058 3/1972 Genaro D15/76
- D. 224,574 8/1972 Yamamoto D15/69

- D. 226,035 1/1973 Yamamoto D15/69
- D. 232,385 8/1974 Ballone D15/76

Primary Examiner—Joel Stearman
Assistant Examiner—Jane E. Corrigan
Attorney, Agent, or Firm—Robert E. Smith

[57] CLAIM

The ornamental design for a sewing machine, as shown.

DESCRIPTION

FIG. 1 is a front perspective view of a sewing machine showing my new design;
FIG. 2 is a rear elevational view;
FIG. 3 is a front elevational view;
FIG. 4 is a bottom plan view;
FIG. 5 is a top plan view;
FIG. 6 is a left side elevational view; and
FIG. 7 is a right side elevational view.

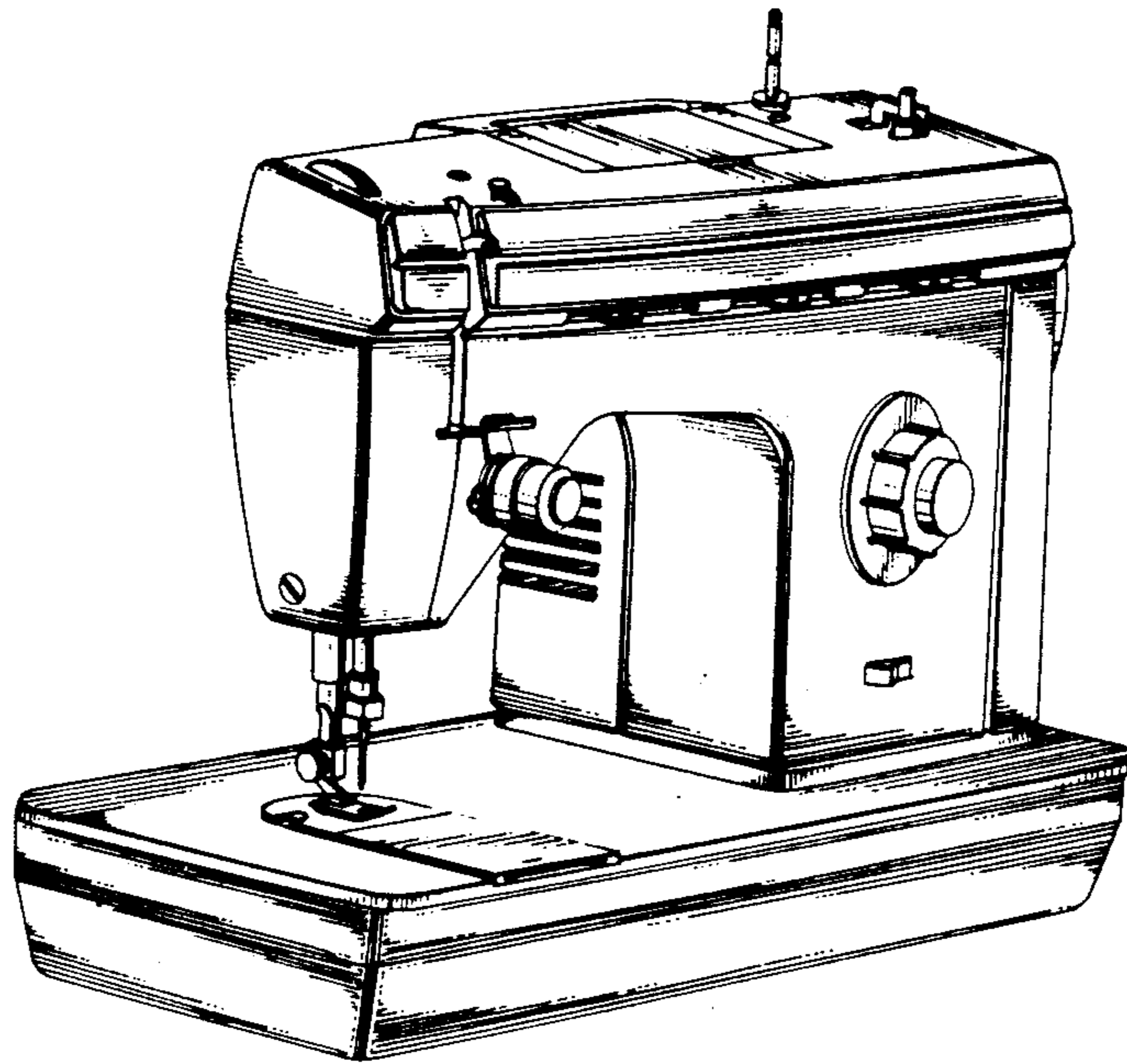


Fig. 1

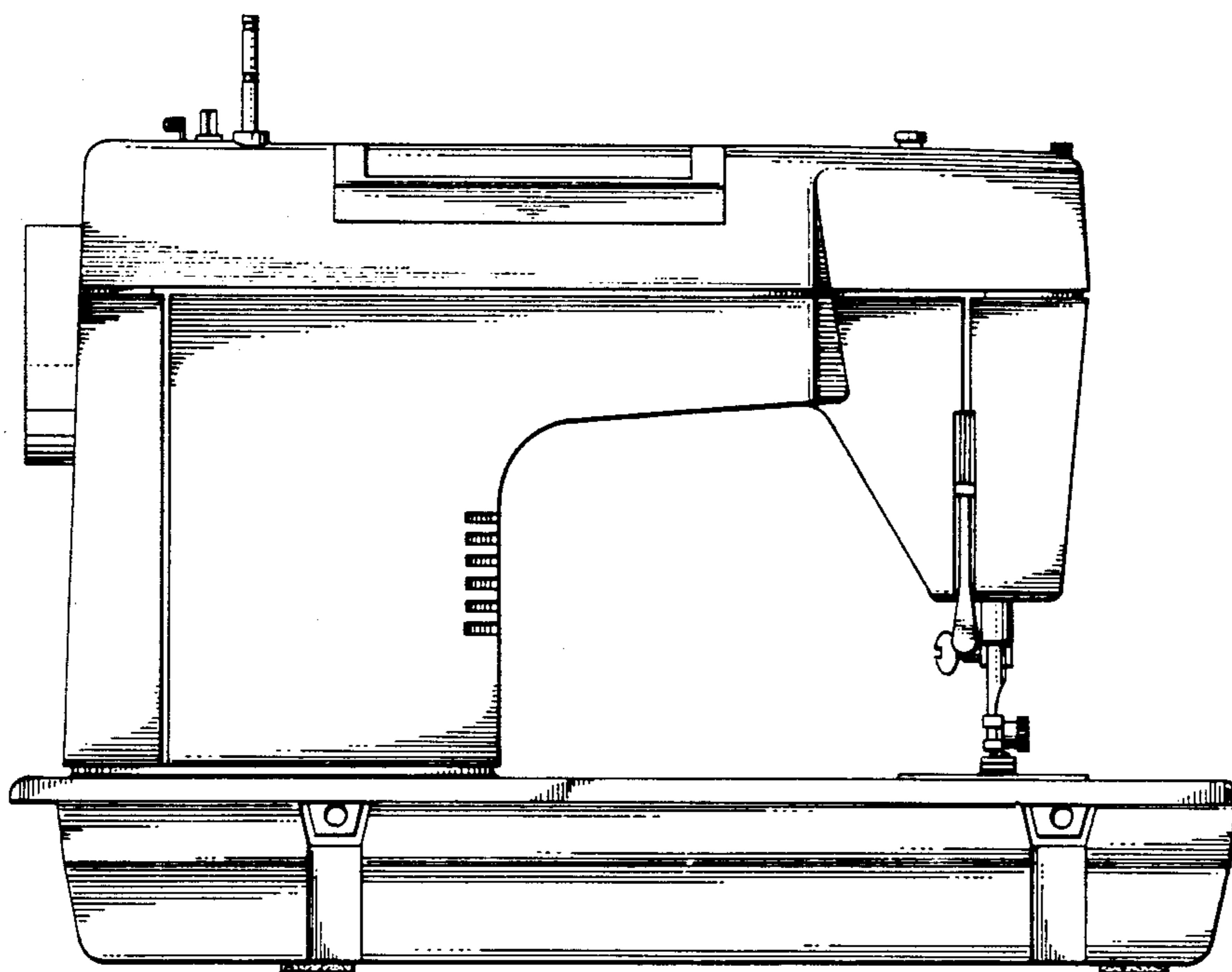
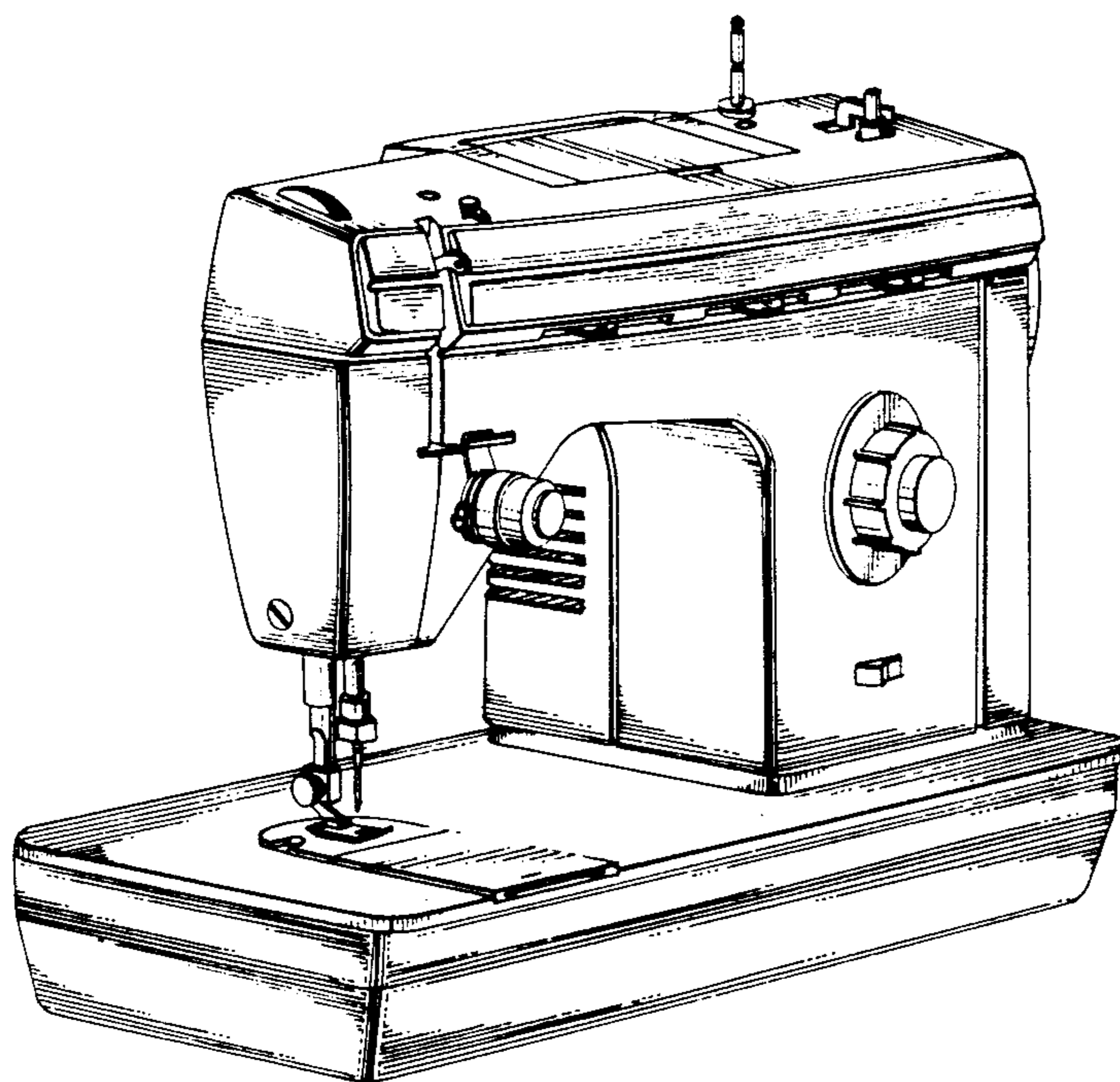


Fig. 2

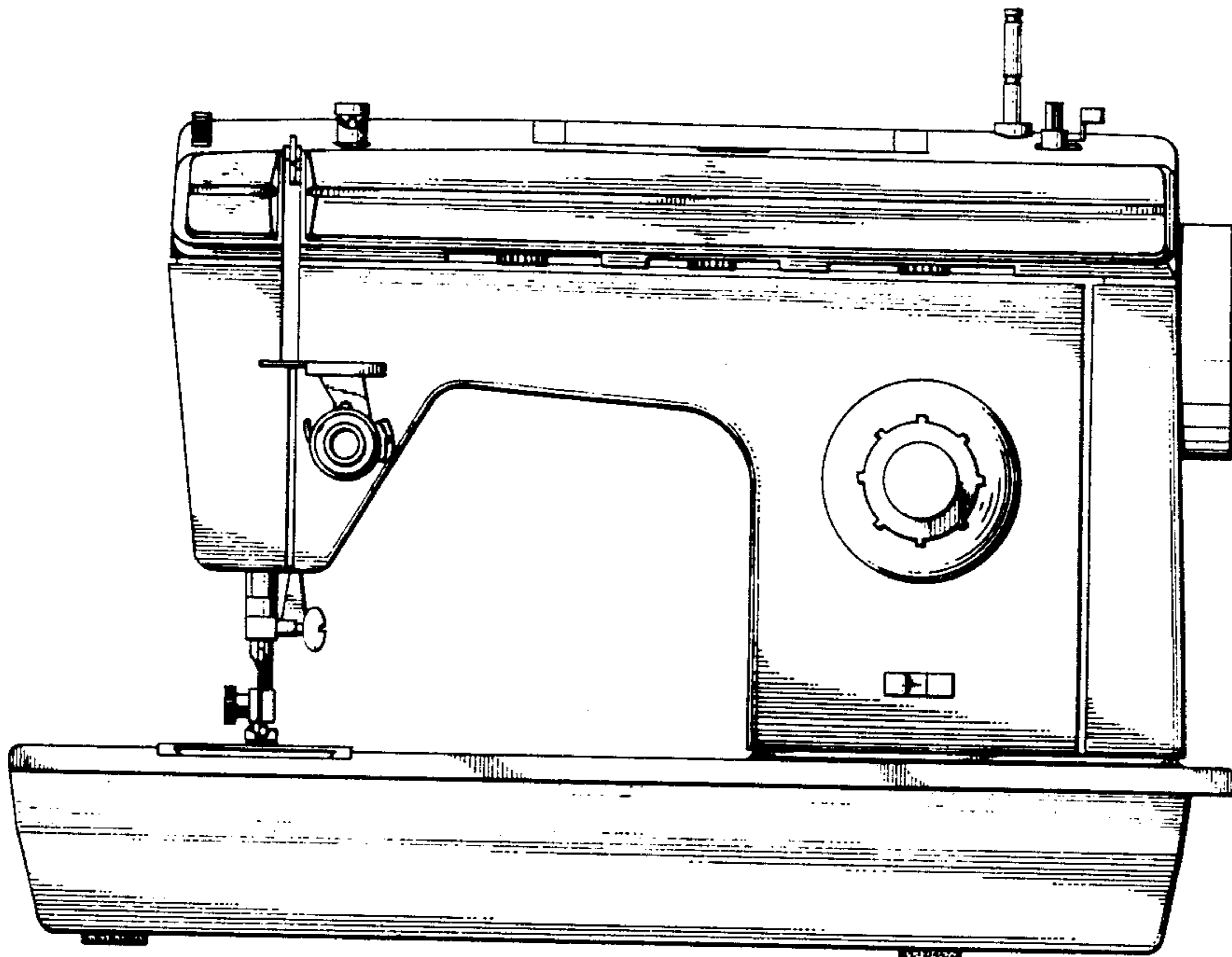


Fig. 3

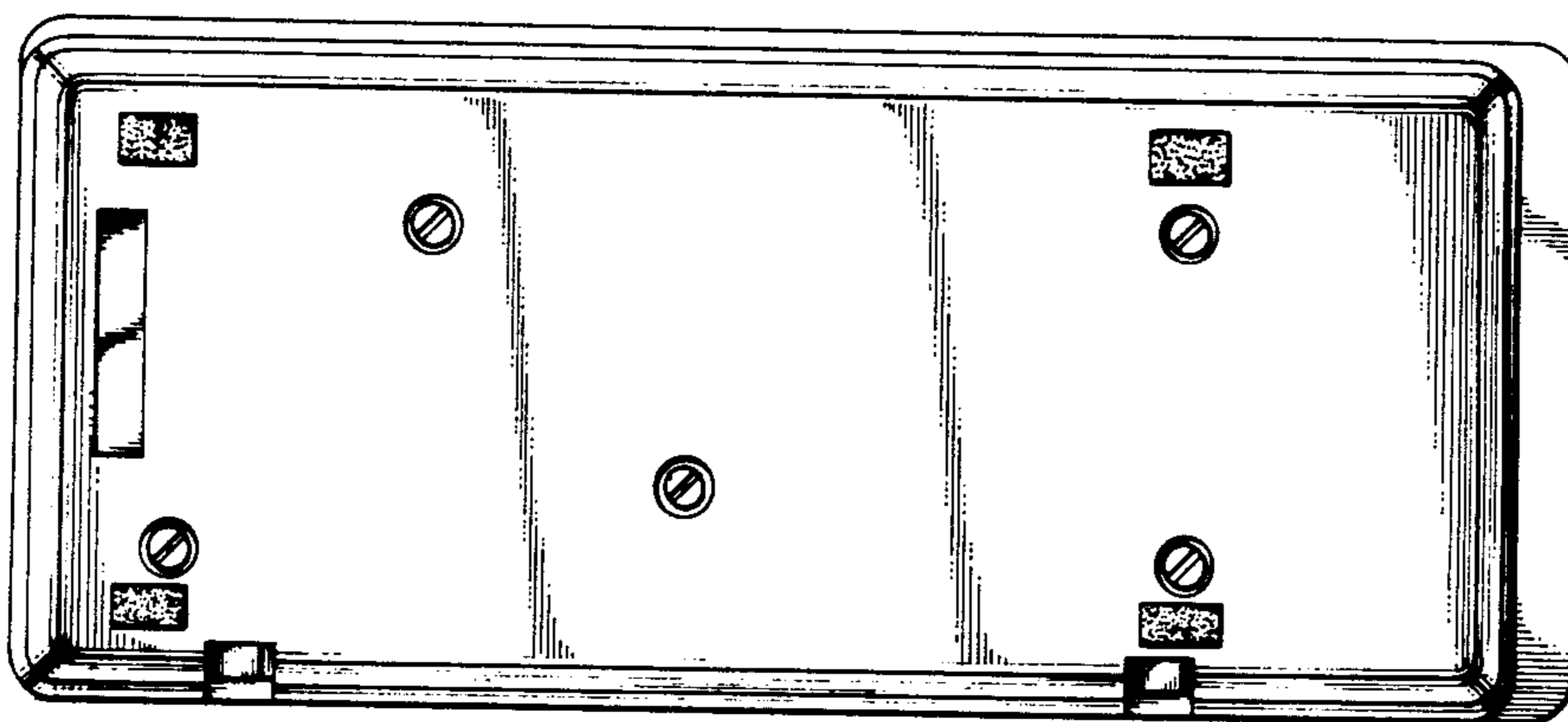


Fig. 4

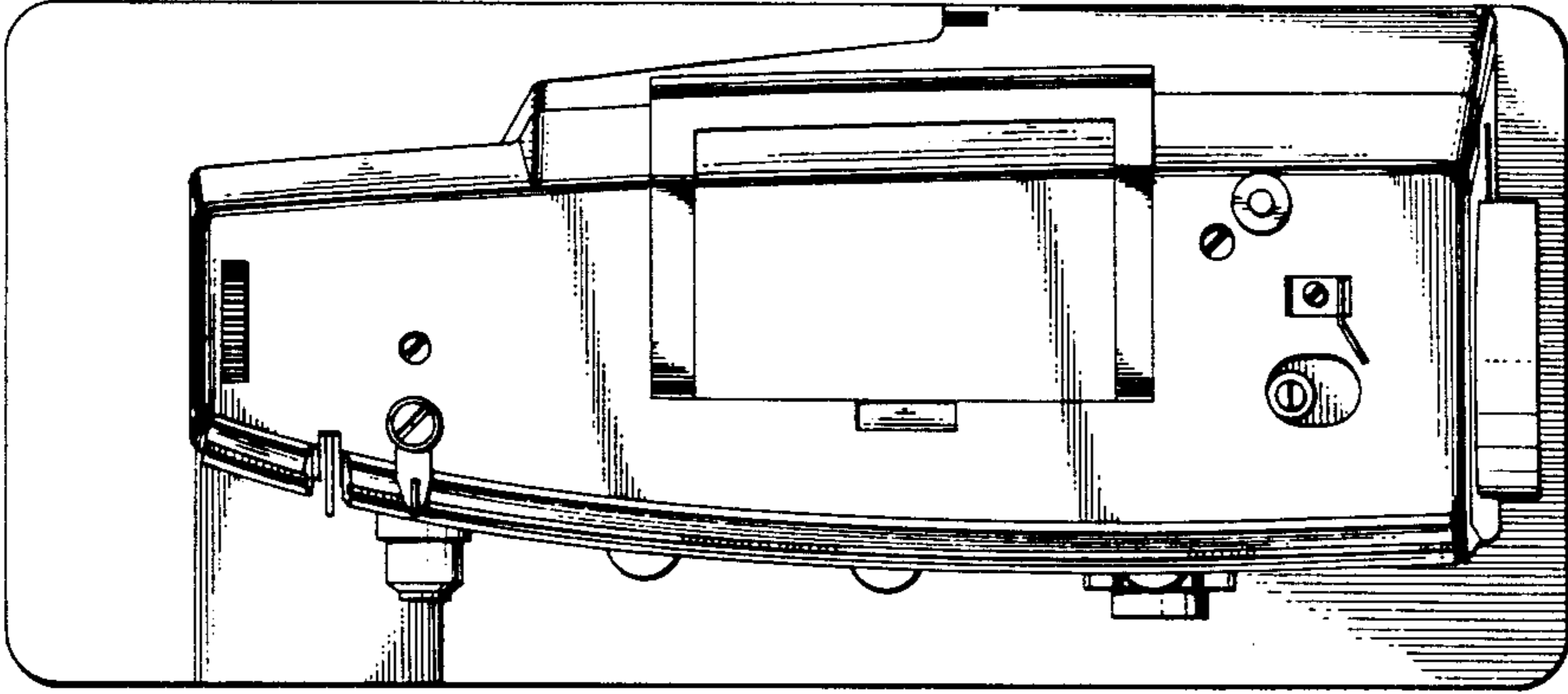


Fig. 5

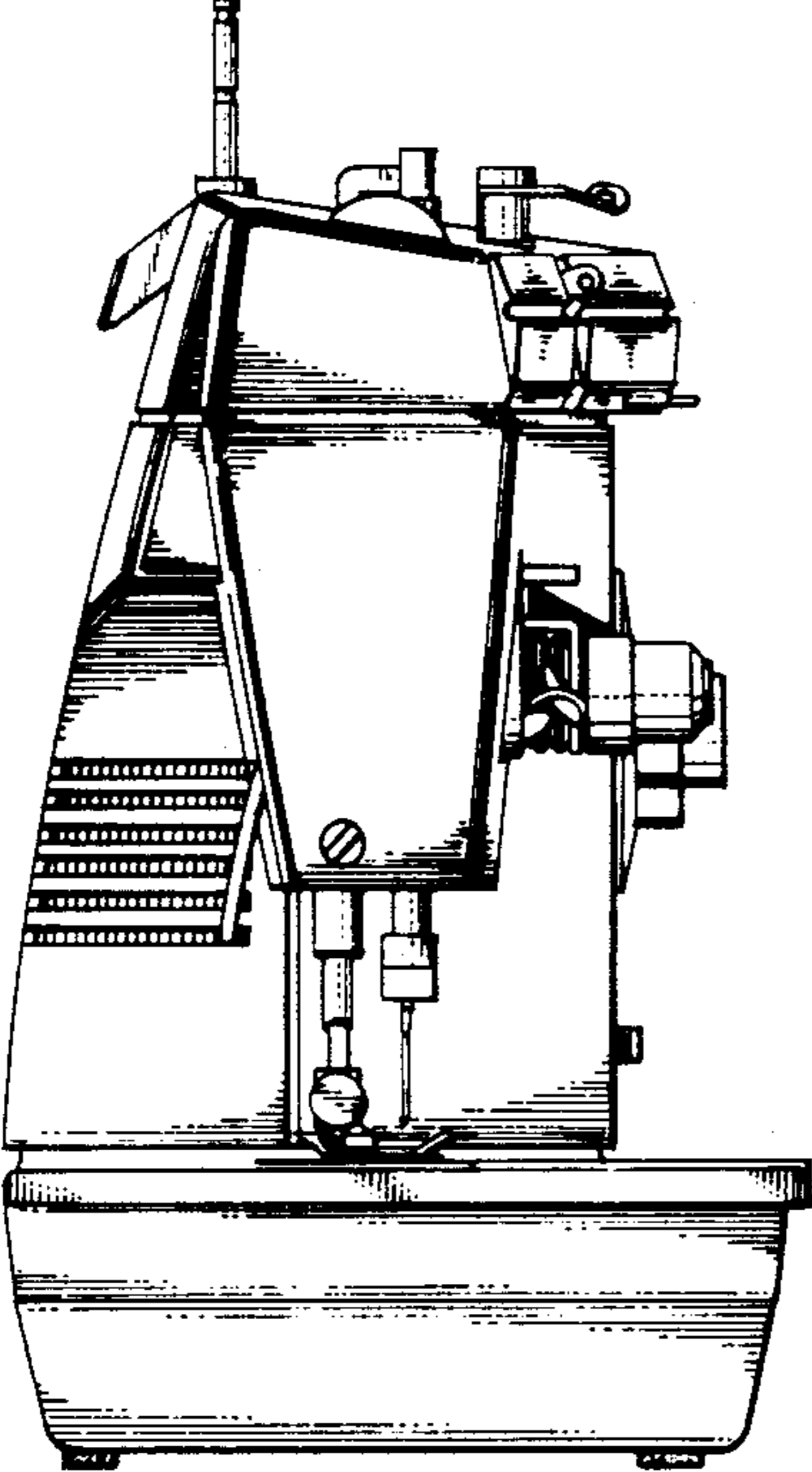


Fig. 6

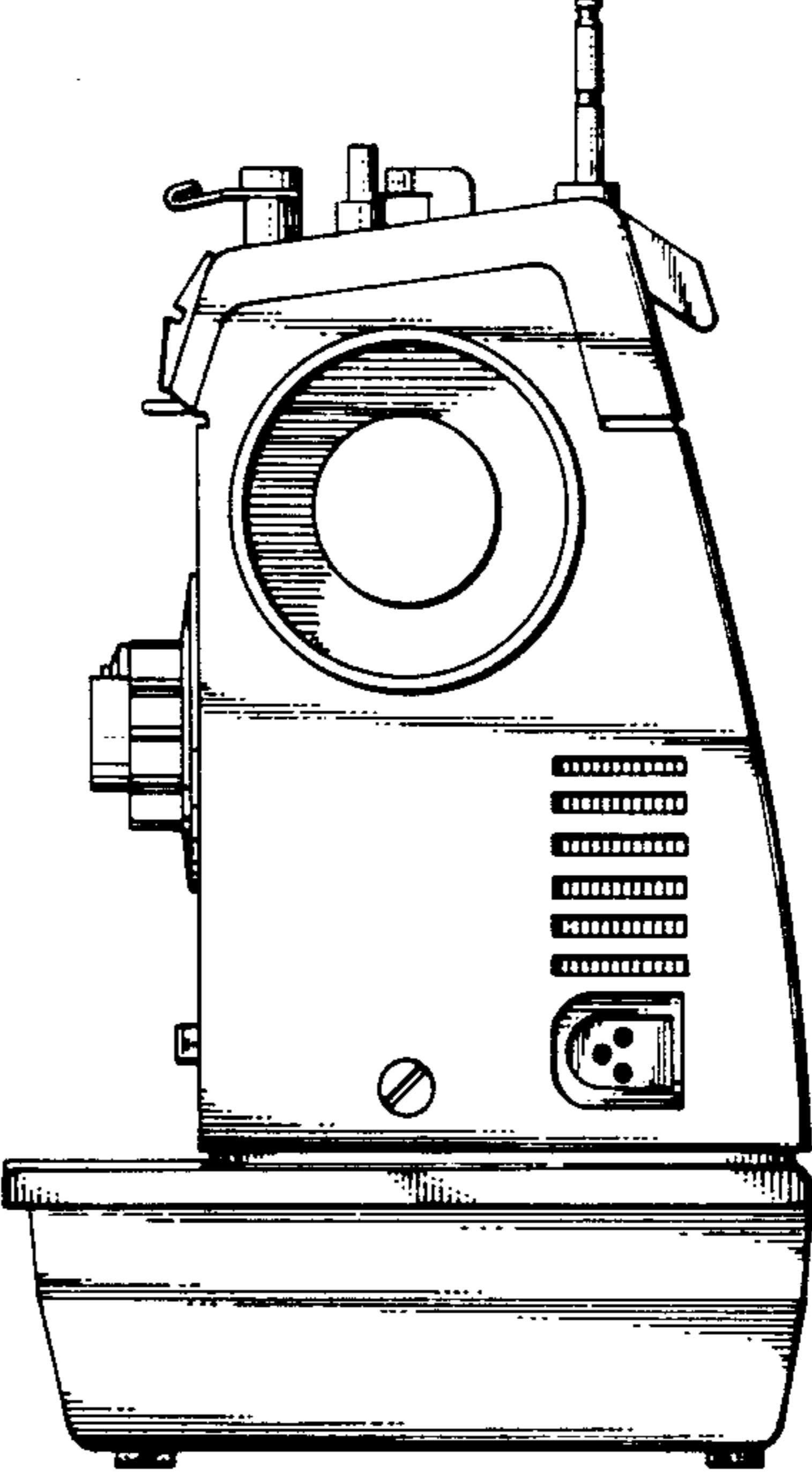


Fig. 7