

[54] SEWING MACHINE FRAME OR SIMILAR ARTICLE

[75] Inventors: Donald M. Genaro, Haworth, N.J.; Cristian J. Felix, Flushing, N.Y.; William L. Herron, Elizabeth; Kenneth D. Adams, Madison, both of N.J.

[73] Assignee: The Singer Company

[**] Term: 14 Years

[21] Appl. No.: 881,997

[22] Filed: Feb. 28, 1978

[51] Int. Cl. D15-06

[52] U.S. Cl. D15/69

[58] Field of Search D15/66, 67, 68, 69, D15/70, 72, 75, 76; 112/258, 259, 260

[56] References Cited

U.S. PATENT DOCUMENTS

D. 223,059 3/1972 Genaro D15/76
D. 241,076 8/1976 Genaro et al. D15/69
D. 247,496 3/1978 Genaro et al. D15/68

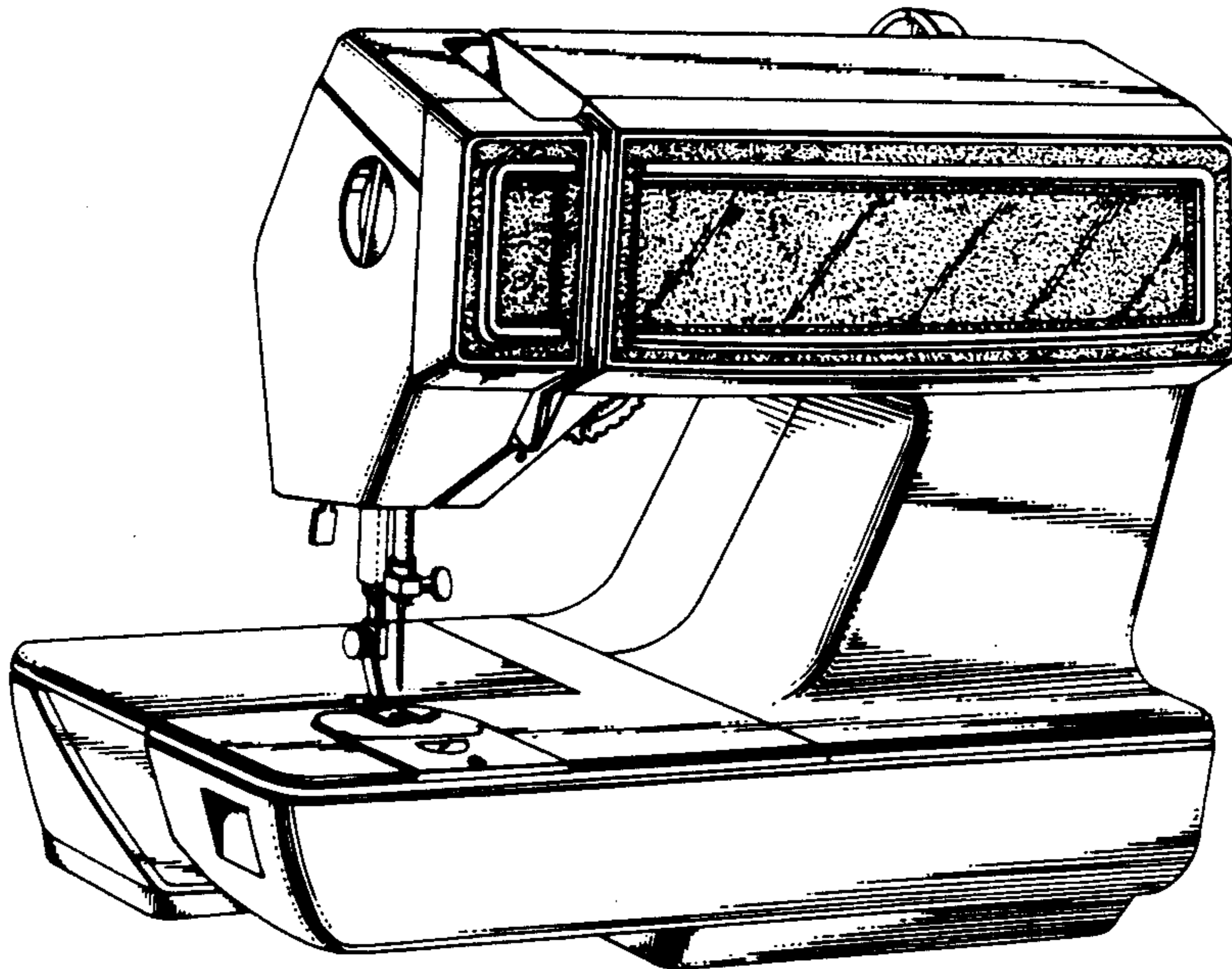
Primary Examiner—Joel Stearman
Assistant Examiner—Carmen H. Vales
Attorney, Agent, or Firm—E. P. Schmidt

[57] CLAIM

The ornamental design for a sewing machine frame or similar article, substantially as shown and described.

DESCRIPTION

FIG. 1 is a front perspective view of a sewing machine frame showing our new design, FIG. 2 is a rear elevational view, FIG. 3 is a front elevational view, FIG. 4 is a bottom plan view, FIG. 5 is a top plan view, FIG. 6 is a left end elevational view, and FIG. 7 is a right end elevational view.



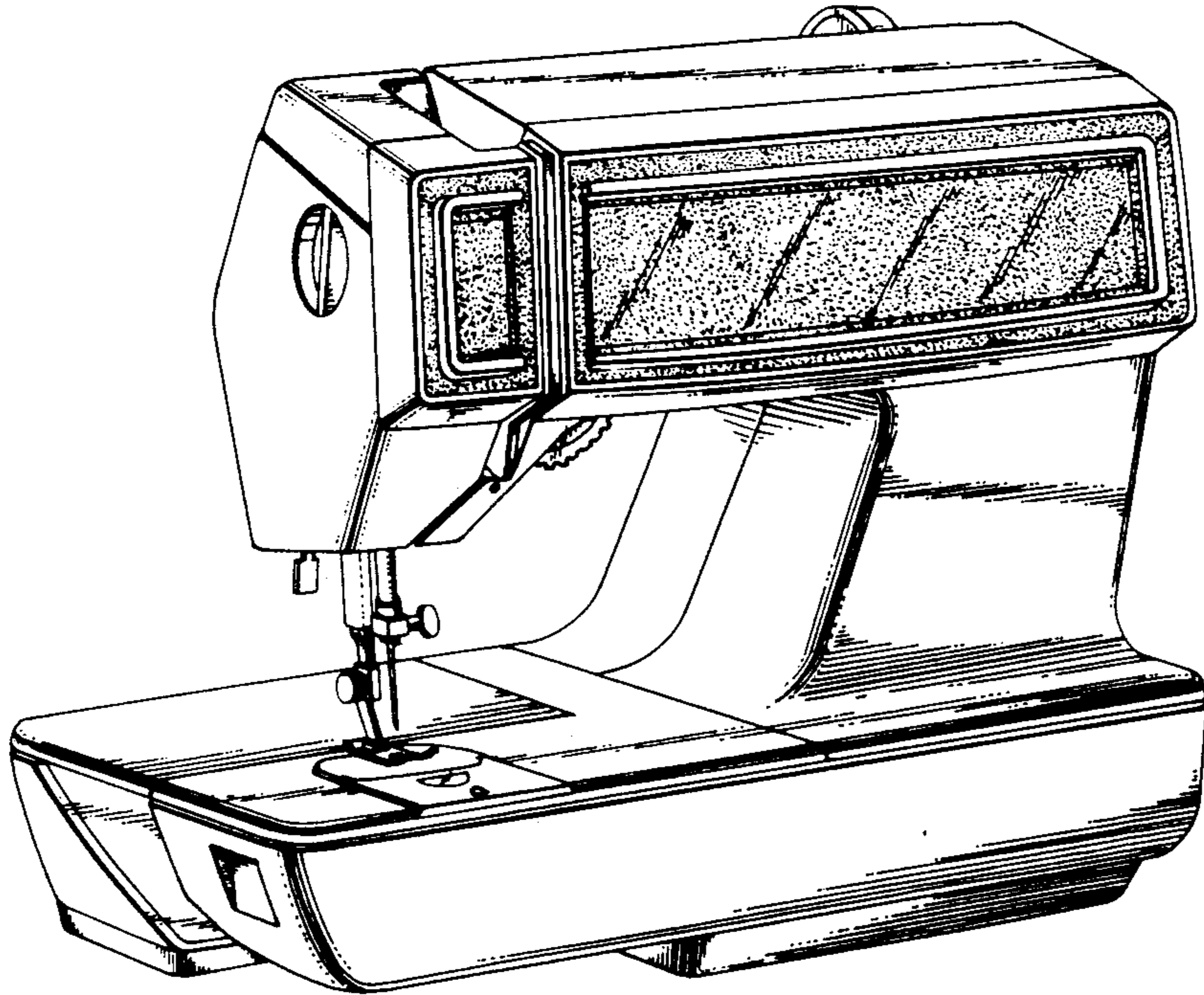


Fig. 1

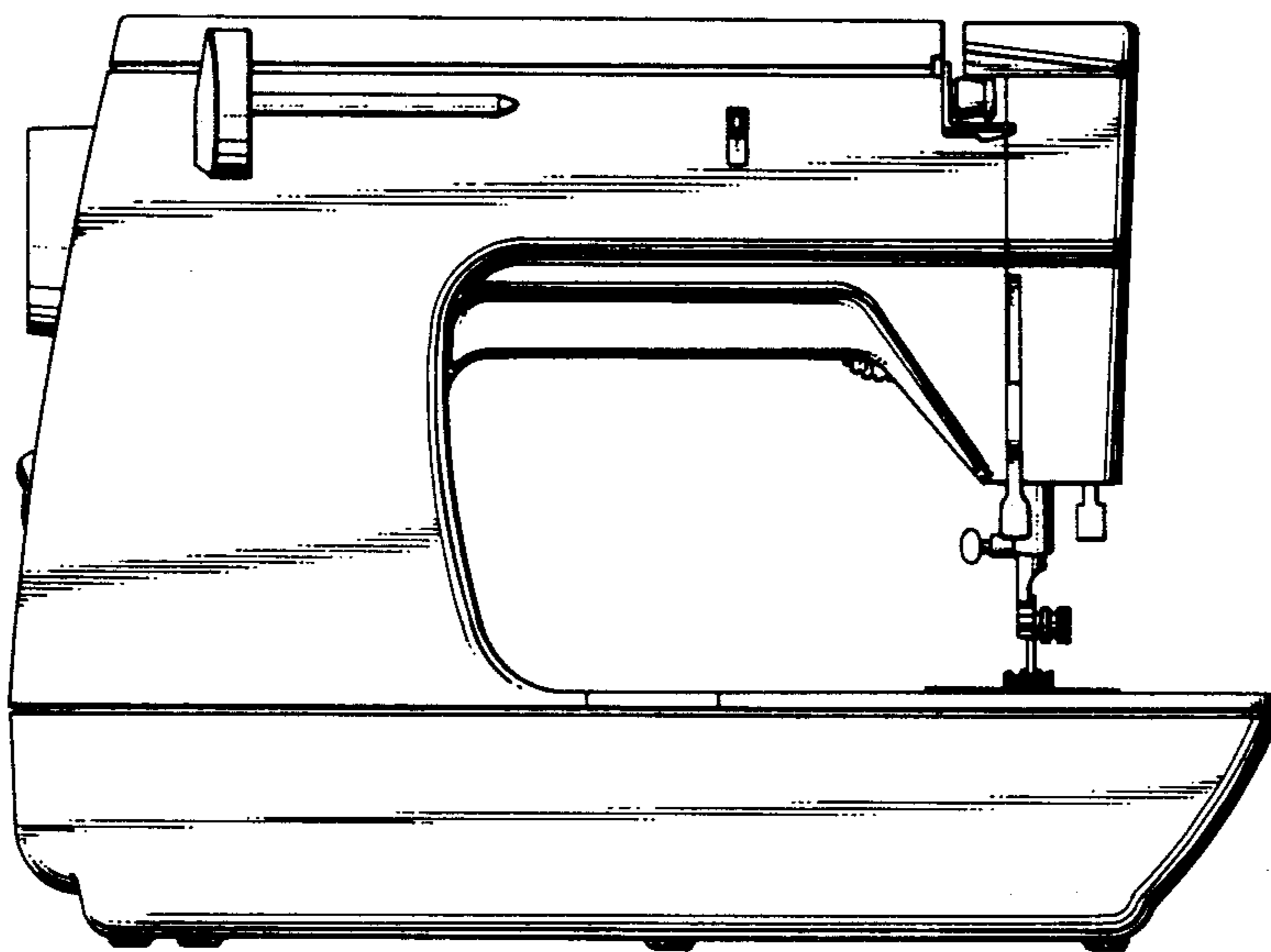


Fig. 2

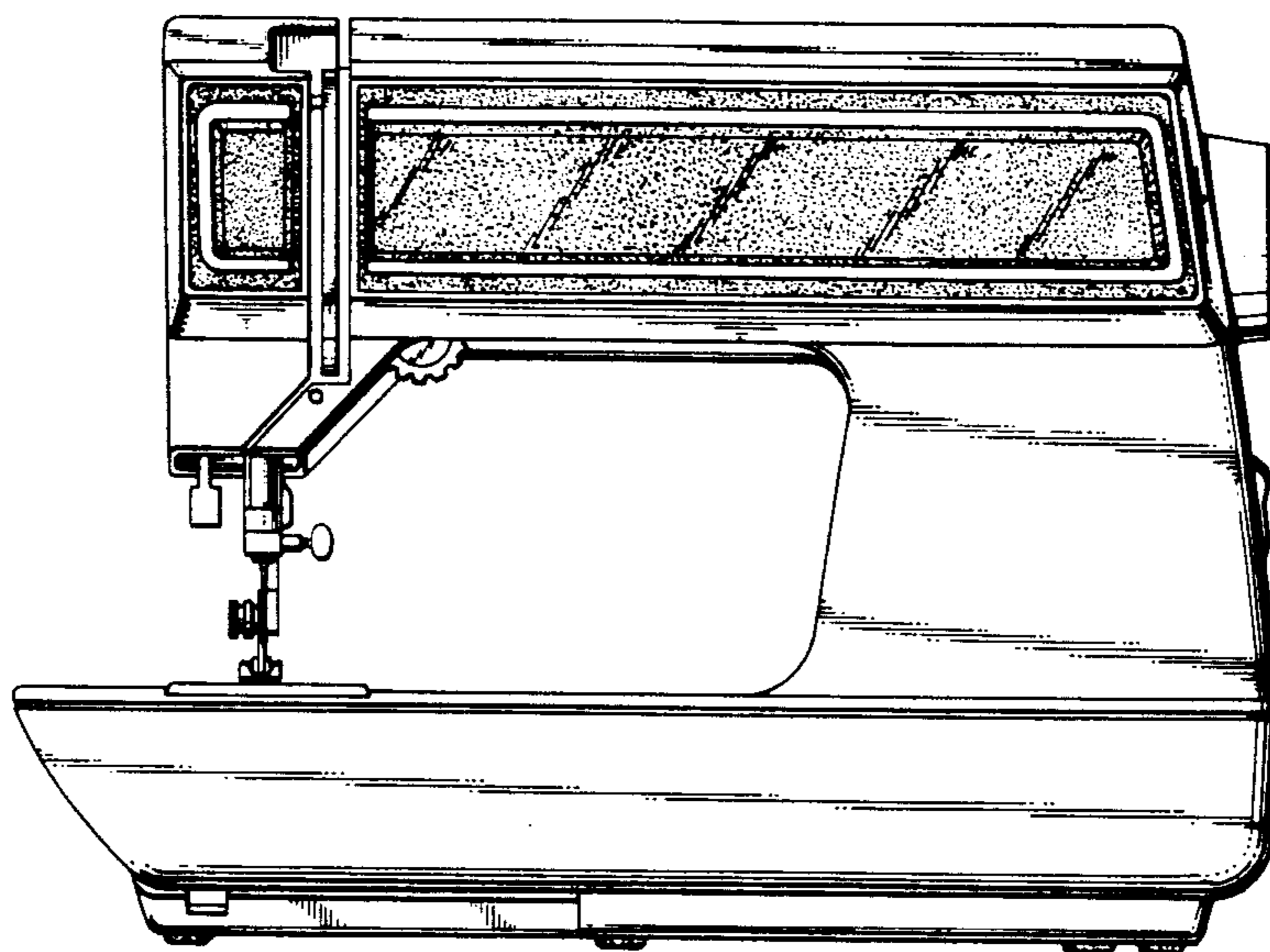


Fig. 3

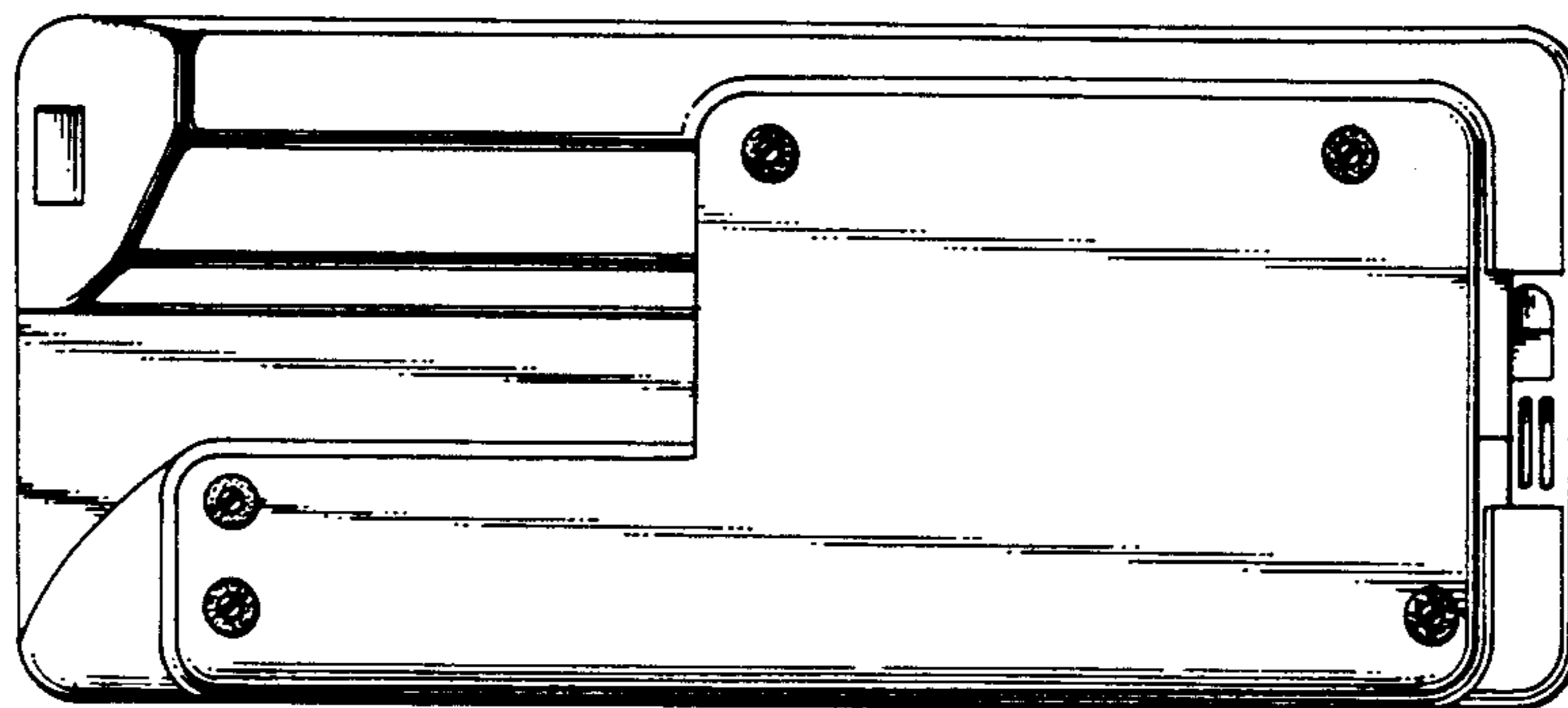


Fig. 4

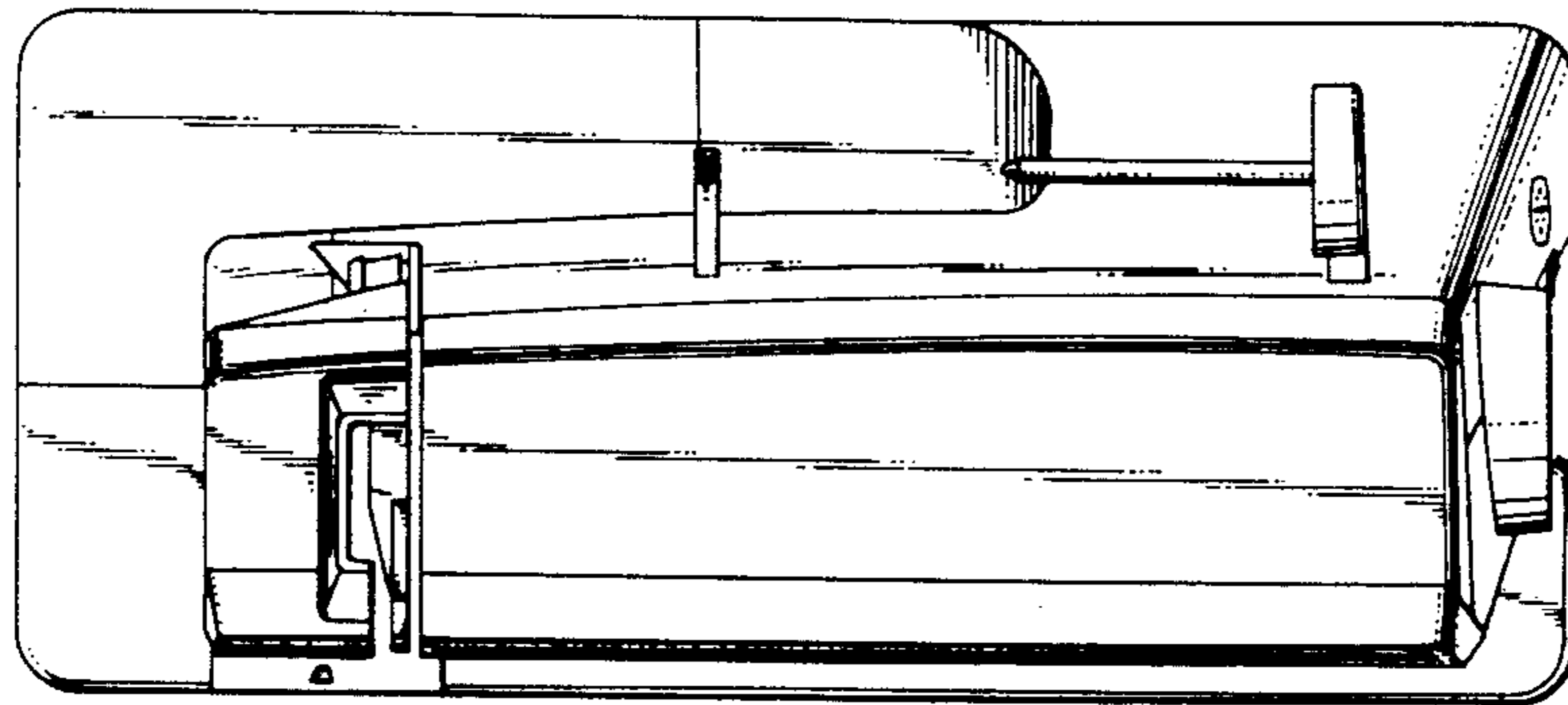


Fig. 5

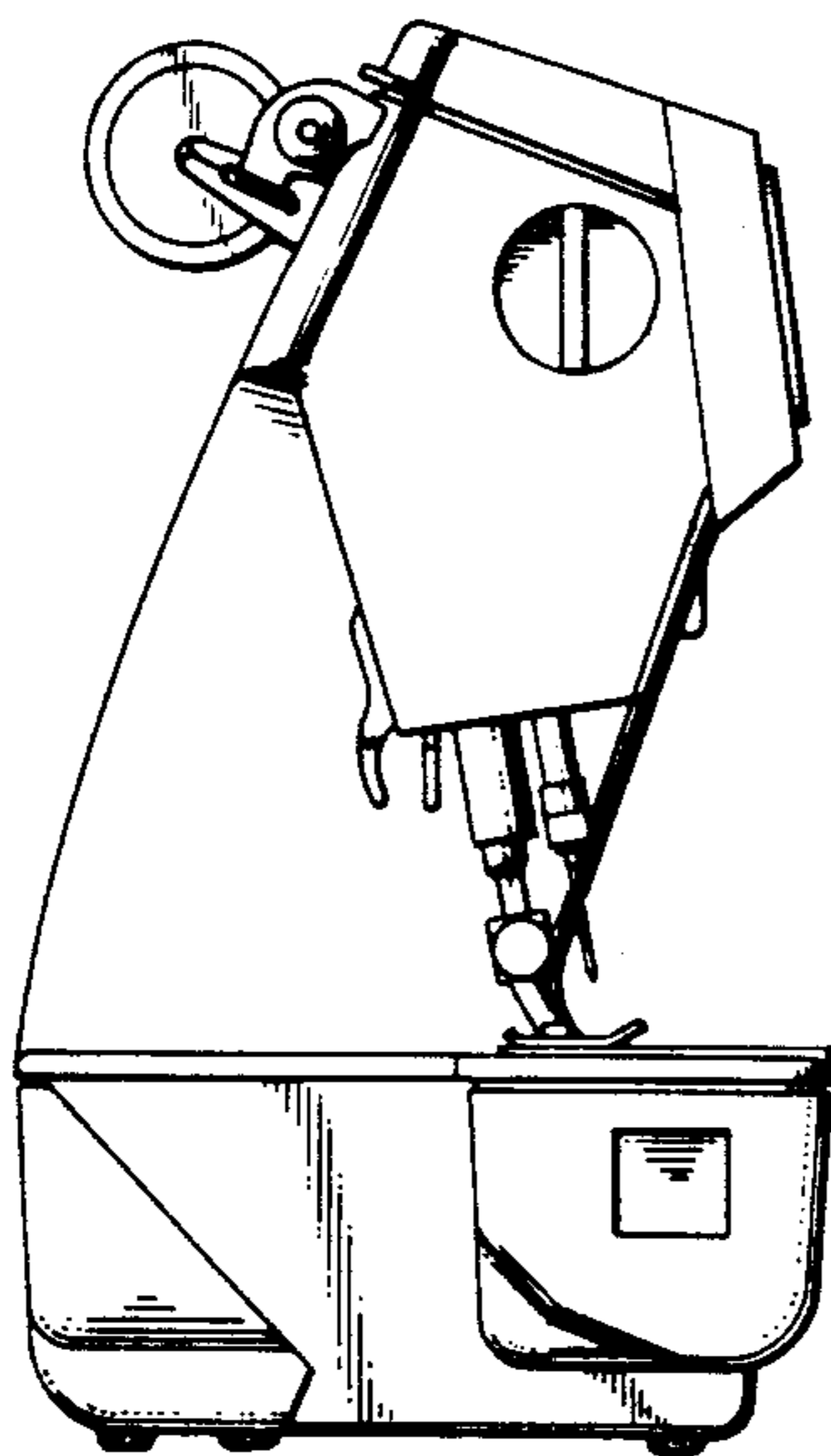


Fig. 6

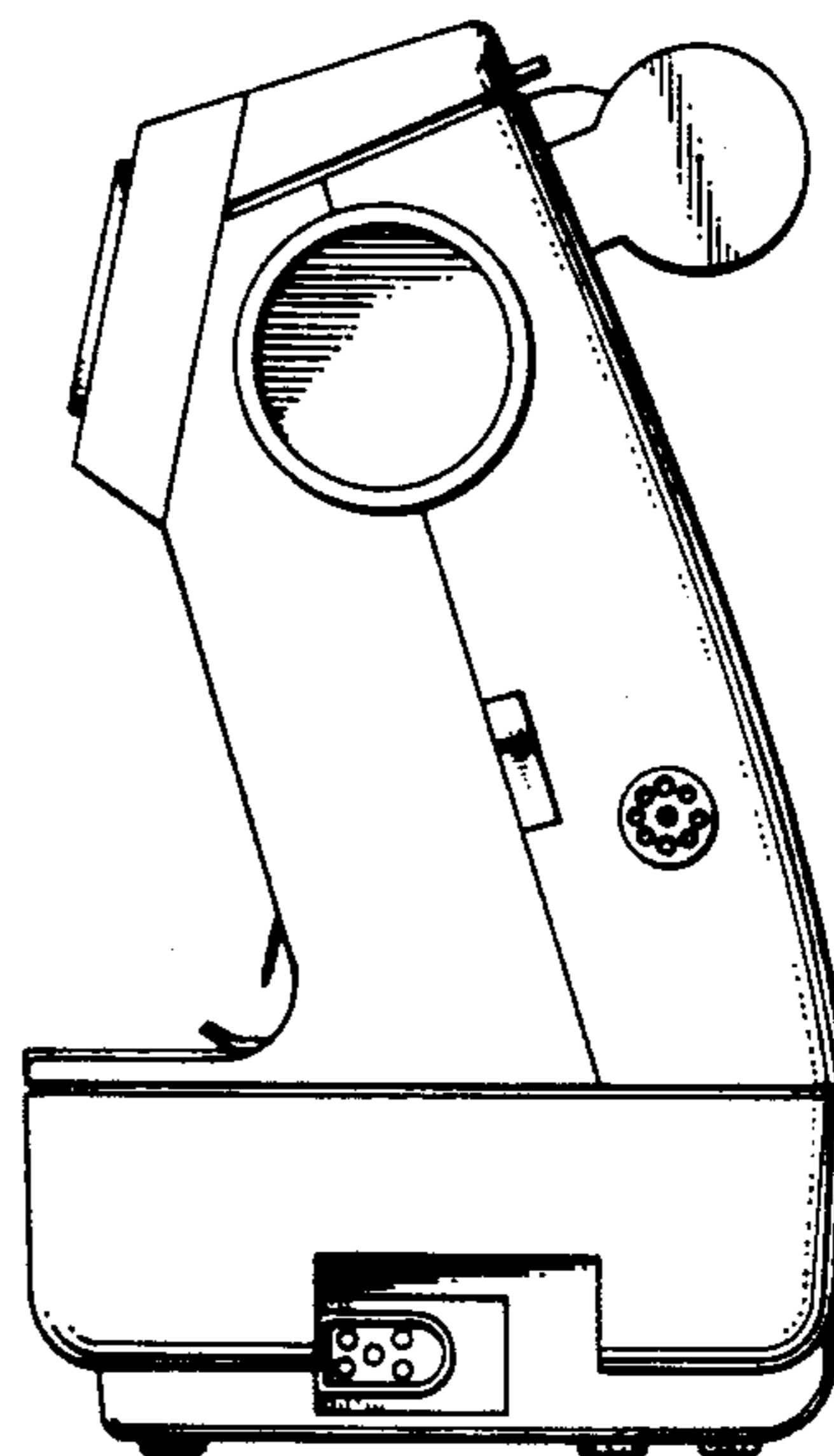


Fig. 7