

[54] CARTRIDGE DRIVE

[75] Inventors: Loren A. Schultz, Dresher; Alexander Hunter, Chalfont, both of Pa.

[73] Assignee: Transaction Management, Inc., Montgomeryville, Pa.

[\*\*] Term: 14 Years

[21] Appl. No.: 872,595

[22] Filed: Jan. 25, 1978

[51] Int. Cl. .... D14-02

[52] U.S. Cl. .... D14/40

[58] Field of Search .... D14/40-49; 360/98, 99, 93

[56] References Cited

U.S. PATENT DOCUMENTS

3,890,643 6/1975 Dalziel ..... 360/99  
3,899,794 8/1975 Brown, Jr. .... D14/46 X

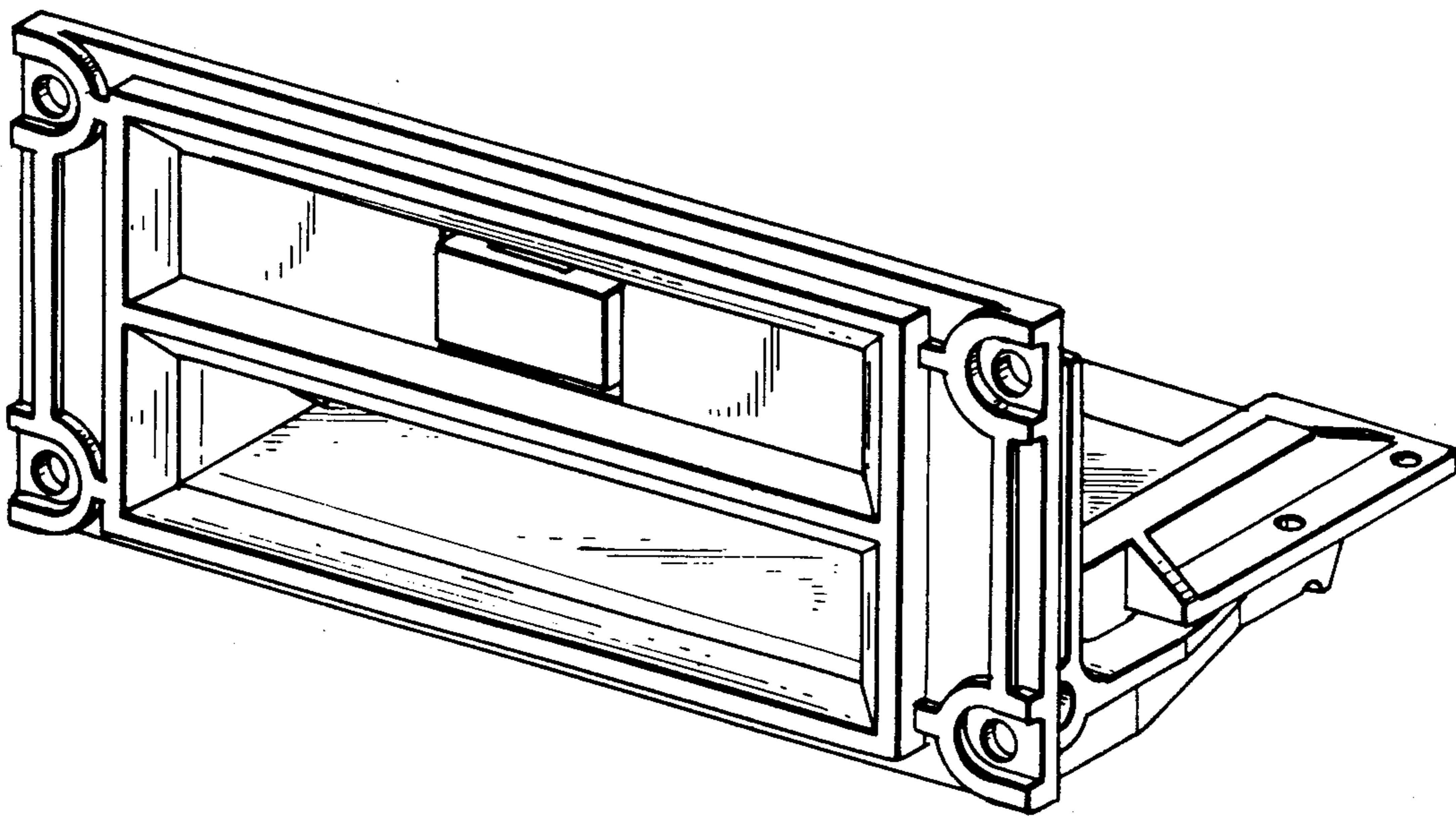
Primary Examiner—Susan J. Lucas  
Attorney, Agent, or Firm—Robert J. Zinn

[57] CLAIM

The ornamental design for a cartridge drive, as shown.

DESCRIPTION

FIG. 1 is a perspective view of the front, top, and one side of the cartridge drive showing our new design; FIG. 2 is a perspective view of the rear, top, and side of the cartridge drive; FIG. 3 is a plan view, from below, of the cartridge drive; FIG. 4 is a plan view from the top of the cartridge drive; FIG. 5 is a view of one side of the cartridge drive; and, FIG. 6 is a view of the other side of the cartridge drive.



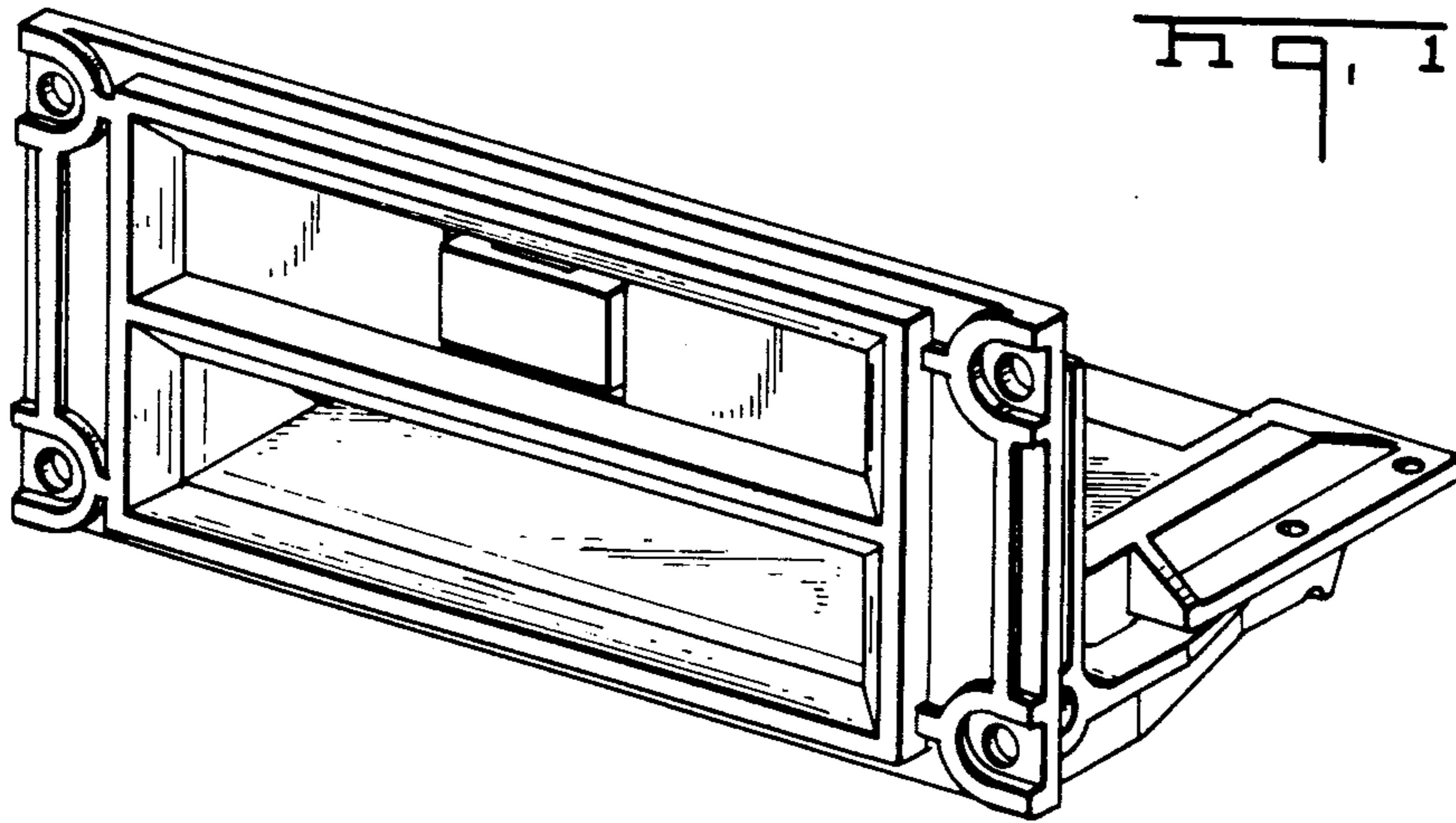


FIG. 1

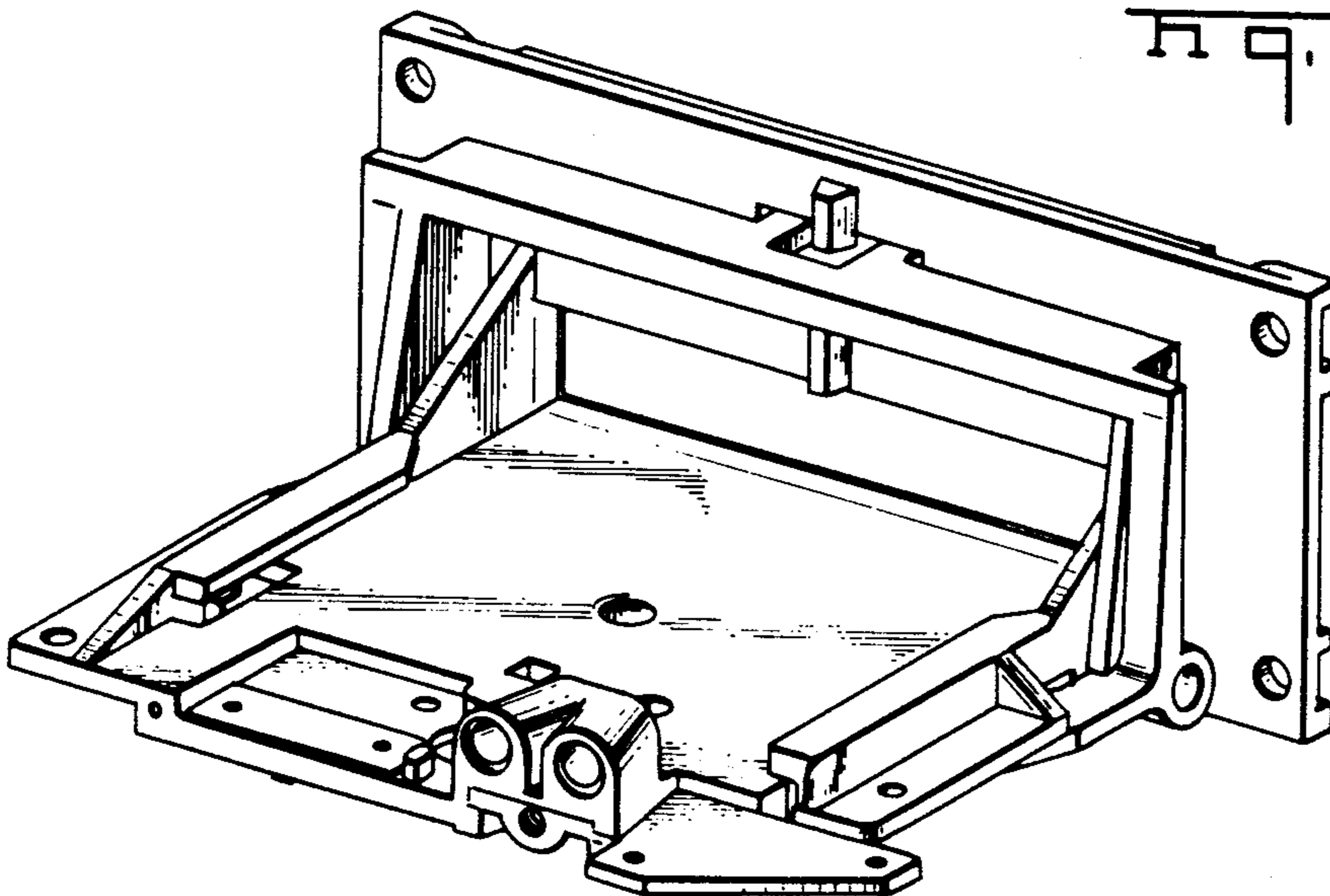


FIG. 2

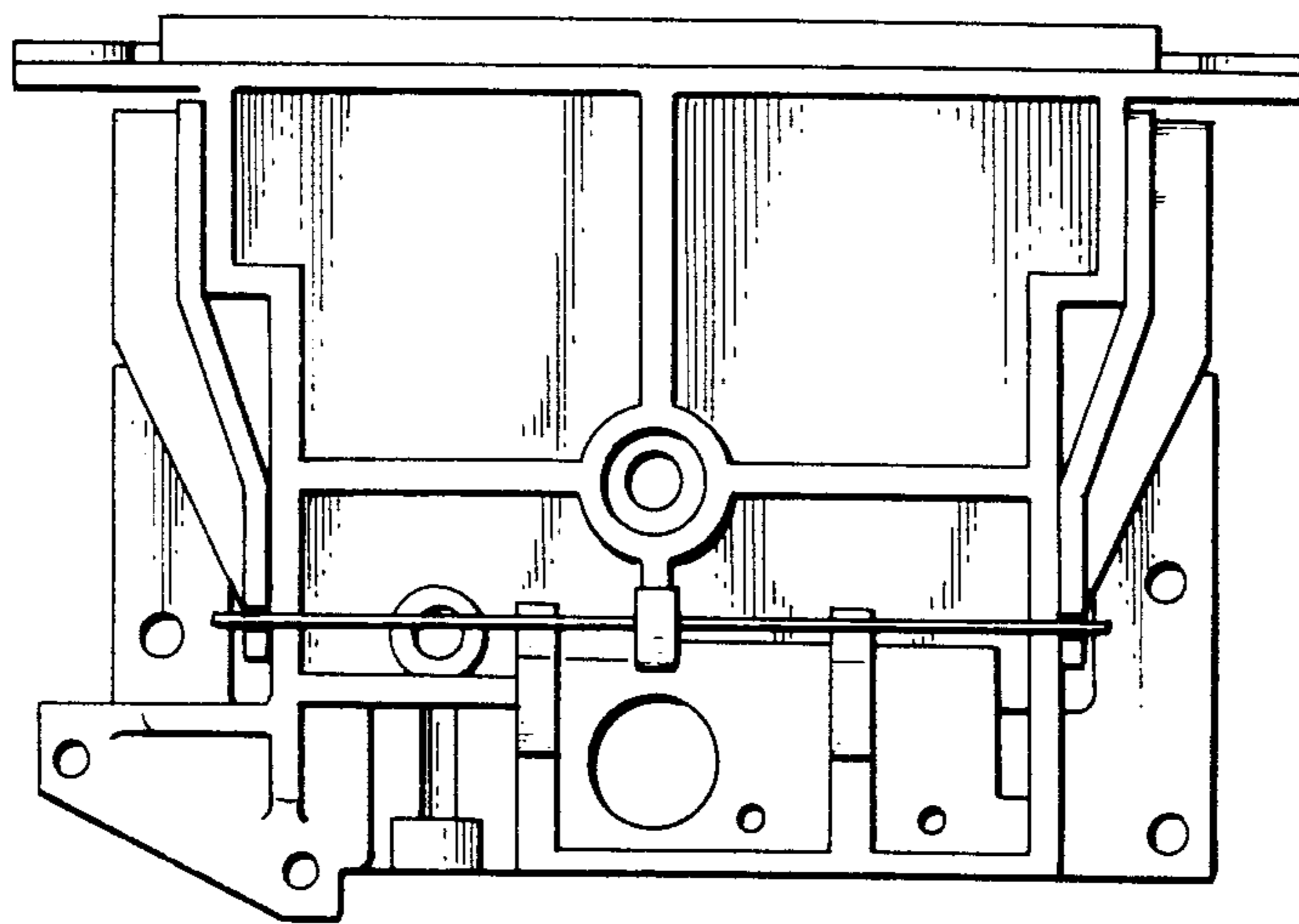


Fig. 3

Fig. 4

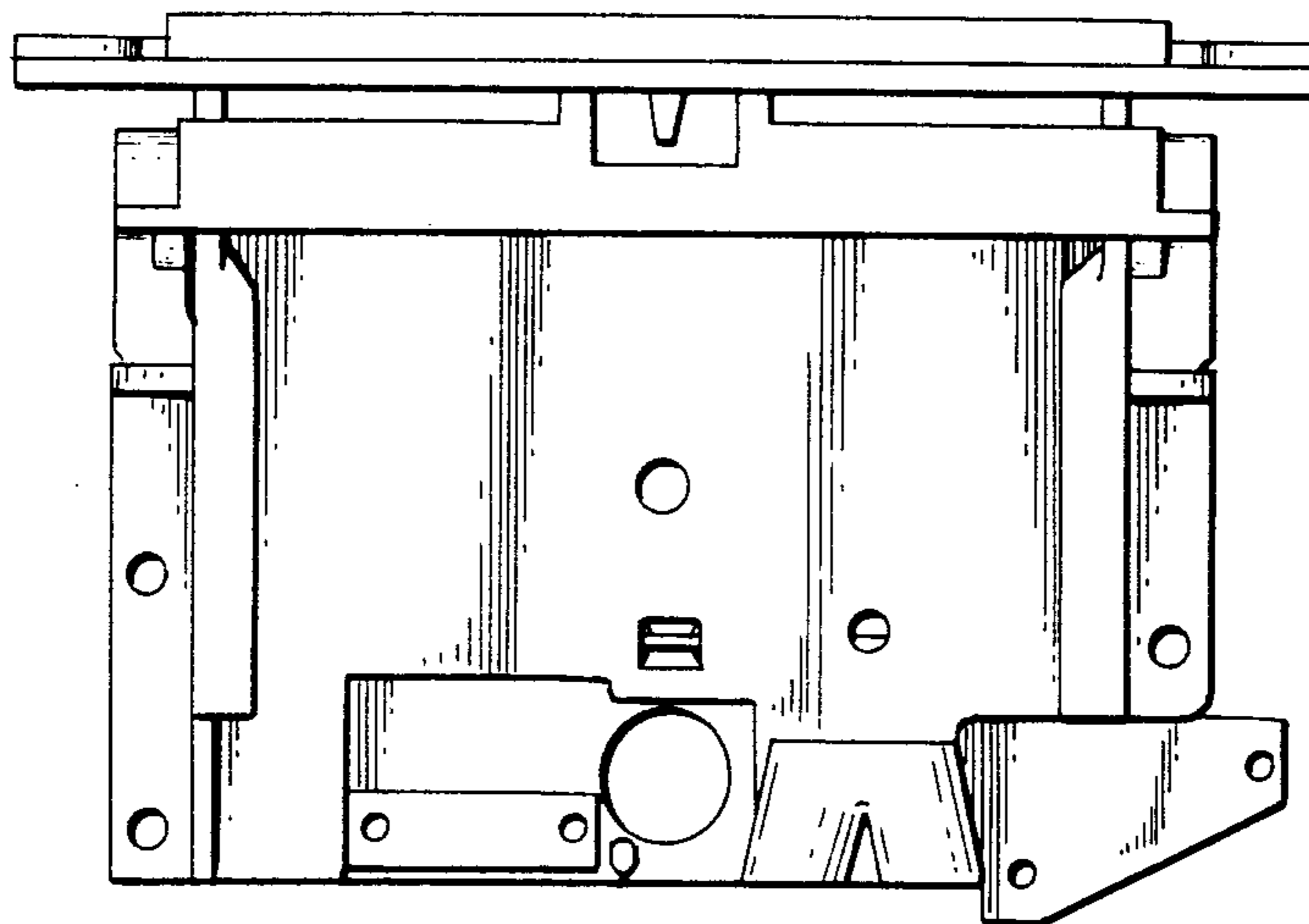


Fig. 5

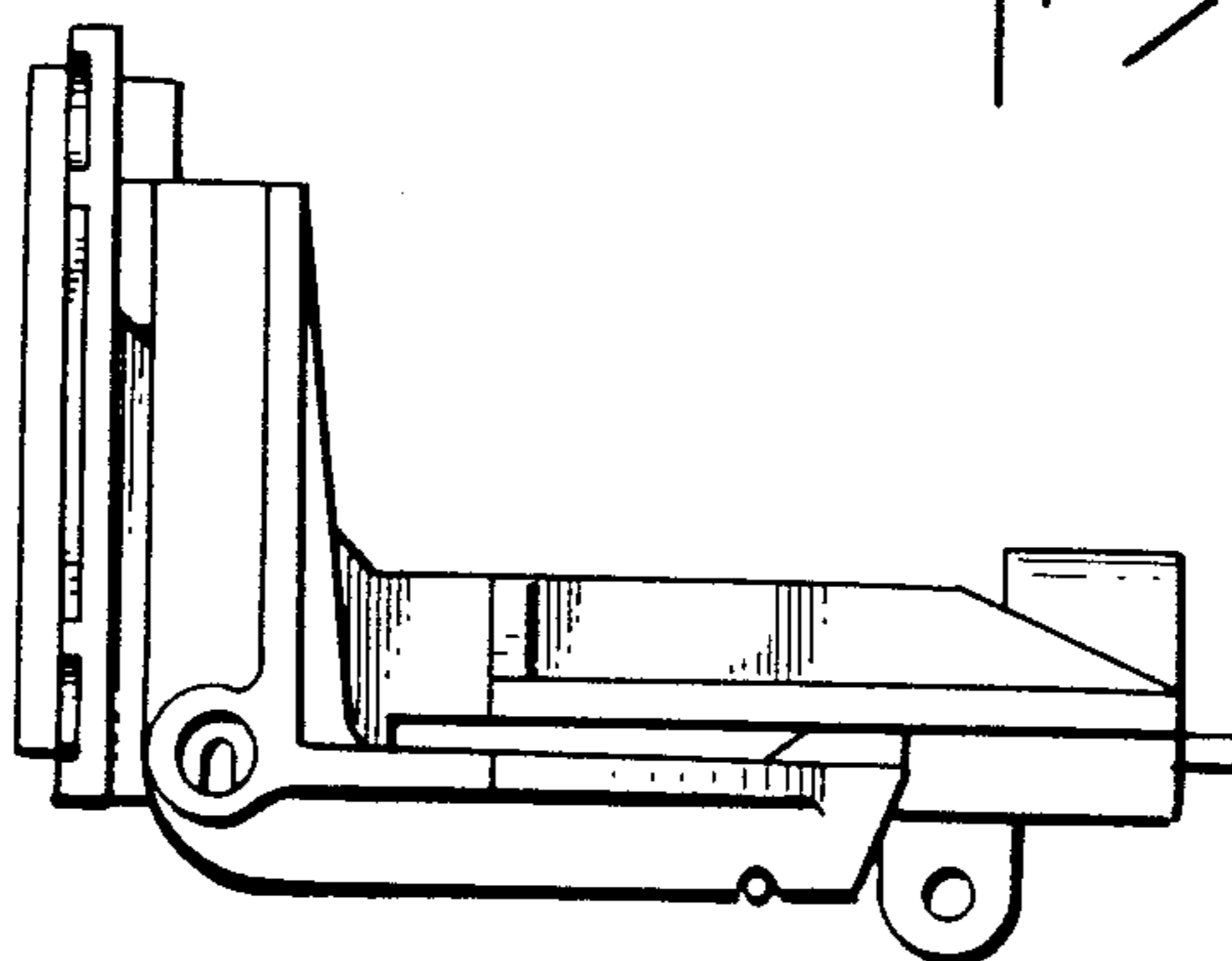


Fig. 6

