

[54] MAGNETIC DOOR STOP

[75] Inventors: **Ralph J. Gauntner**, 2404 38th Ave., Sacramento, Calif. 95822; **Alec A. Shilin**, Broderick, Calif.

[73] Assignees: **Ralph J. Gauntner; Isabell L. Gauntner**, both of Sacramento, Calif.

[\*\*] Term: **14 Years**

[21] Appl. No.: **789,008**

[22] Filed: **Apr. 20, 1977**

[51] Int. Cl. .... **D8-09**

[52] U.S. Cl. .... **D8/402; 292/251.5**

[58] Field of Search ..... **D8/402, 400; 16/86 A; 292/251.5**

[56]

References Cited

U.S. PATENT DOCUMENTS

D. 143,039	11/1945	Shanfield .....	D8/402
D. 173,487	11/1954	Hines .....	D8/402
D. 242,763	12/1976	Carlton .....	D8/400
D. 248,212	6/1978	Miller, Jr. ....	D8/402
3,163,453	12/1964	Stephens .....	292/251.5
3,244,443	4/1966	Rodgers .....	292/251.5
3,578,370	5/1971	Greytok .....	292/251.5
3,701,557	10/1972	Centofante .....	16/86 A X

*Primary Examiner*—Bernard Ansher  
*Attorney, Agent, or Firm*—Paul D. Flehr

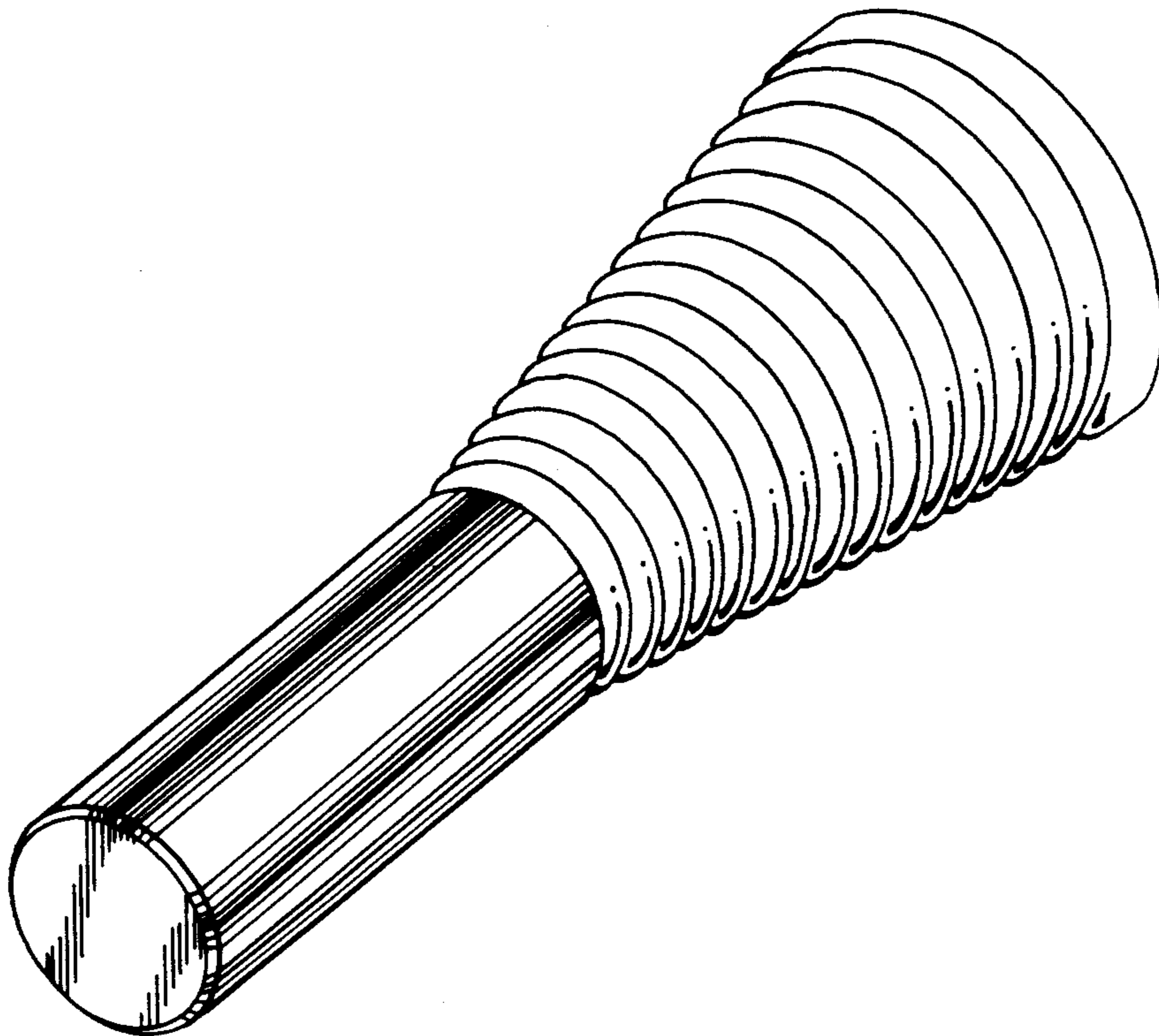
[57]

CLAIM

The ornamental design for a magnetic door stop, as shown and described.

DESCRIPTION

FIG. 1 is a perspective view of the magnetic door stop. FIG. 2 is a side elevational view of the magnetic door stop of FIG. 1. FIG. 3 is an end view of the magnetic door stop of FIG. 1.



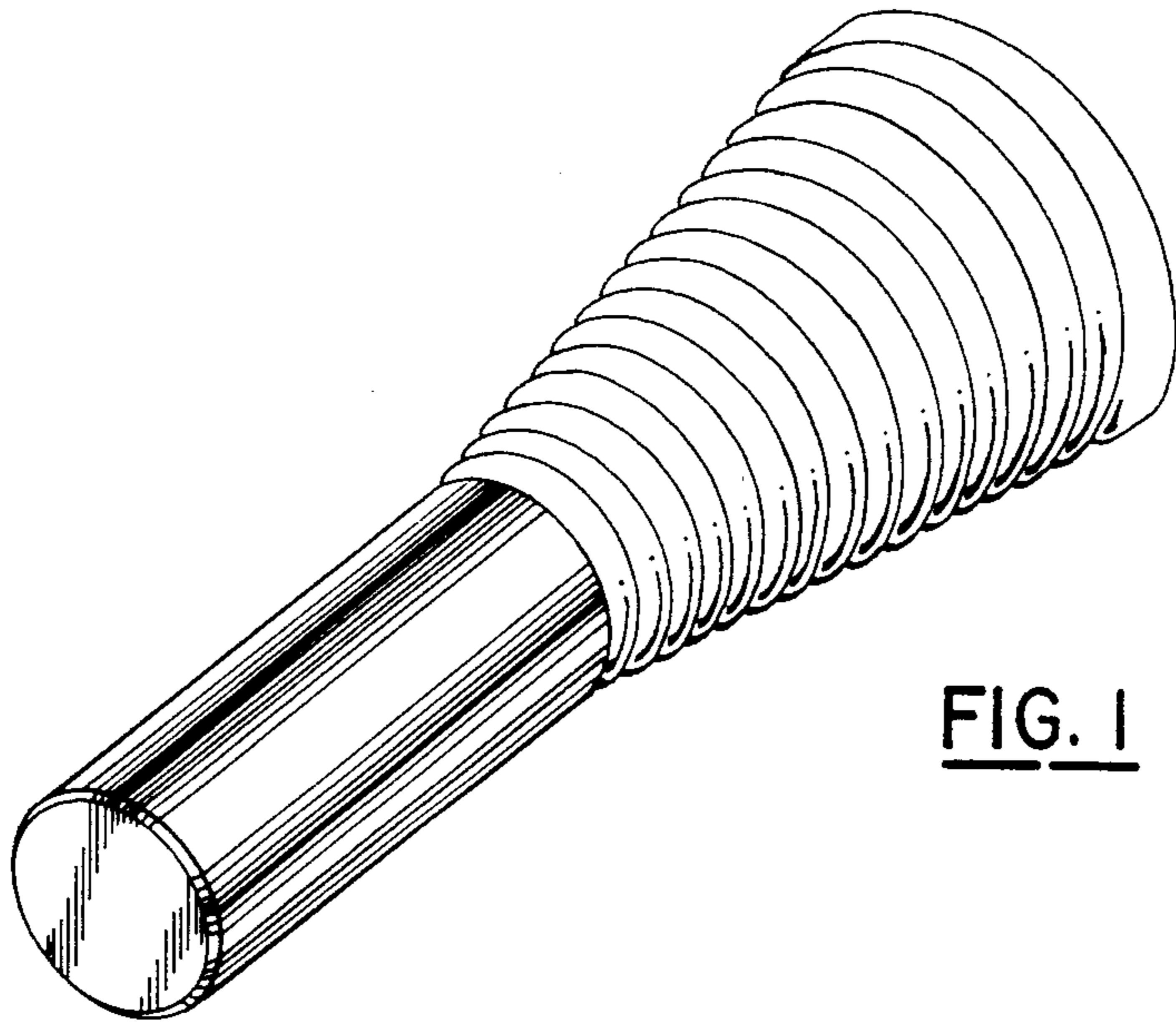


FIG. 1

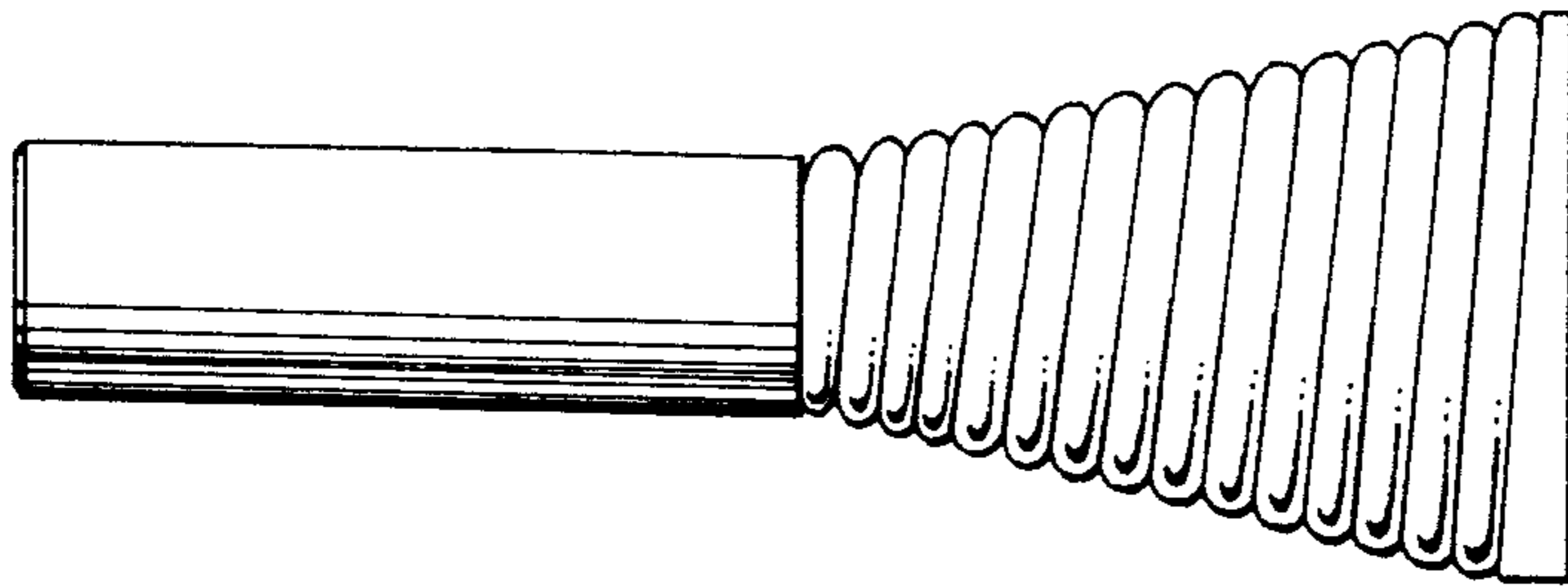


FIG. 2

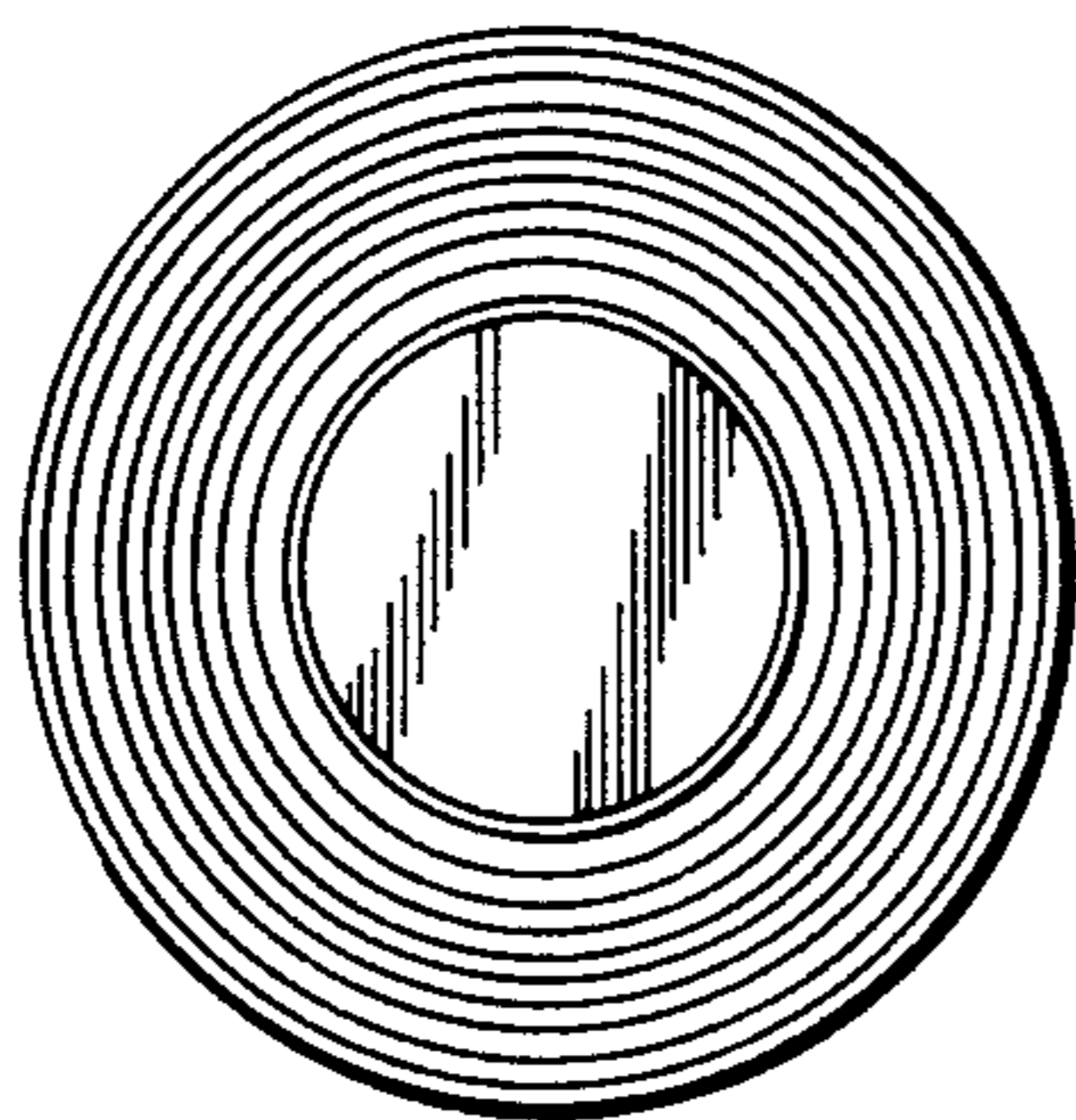


FIG. 3