

[54] BREAD SLICING GUIDE

[76] Inventor: Kenneth H. Latham, 475 Linden Dr., Idaho Falls, Id. 83401

[\*\*] Term: 14 Years

[21] Appl. No.: 853,643

[22] Filed: Nov. 21, 1977

[51] Int. Cl. .... D7-04

[52] U.S. Cl. .... D7/46; D7/43

[58] Field of Search ..... 269/289 R, 295; 83/762; D15/97; D7/46, 43, 41

[56] References Cited

U.S. PATENT DOCUMENTS

D. 135,413	4/1943	DeLong	.....	D7/46
D. 135,564	4/1943	Townsley	.....	D7/46
1,076,882	10/1913	Golden	.....	269/295
2,474,171	6/1949	Swanson	.....	83/762

FOREIGN PATENT DOCUMENTS

215249 5/1924 United Kingdom ..... D7/46

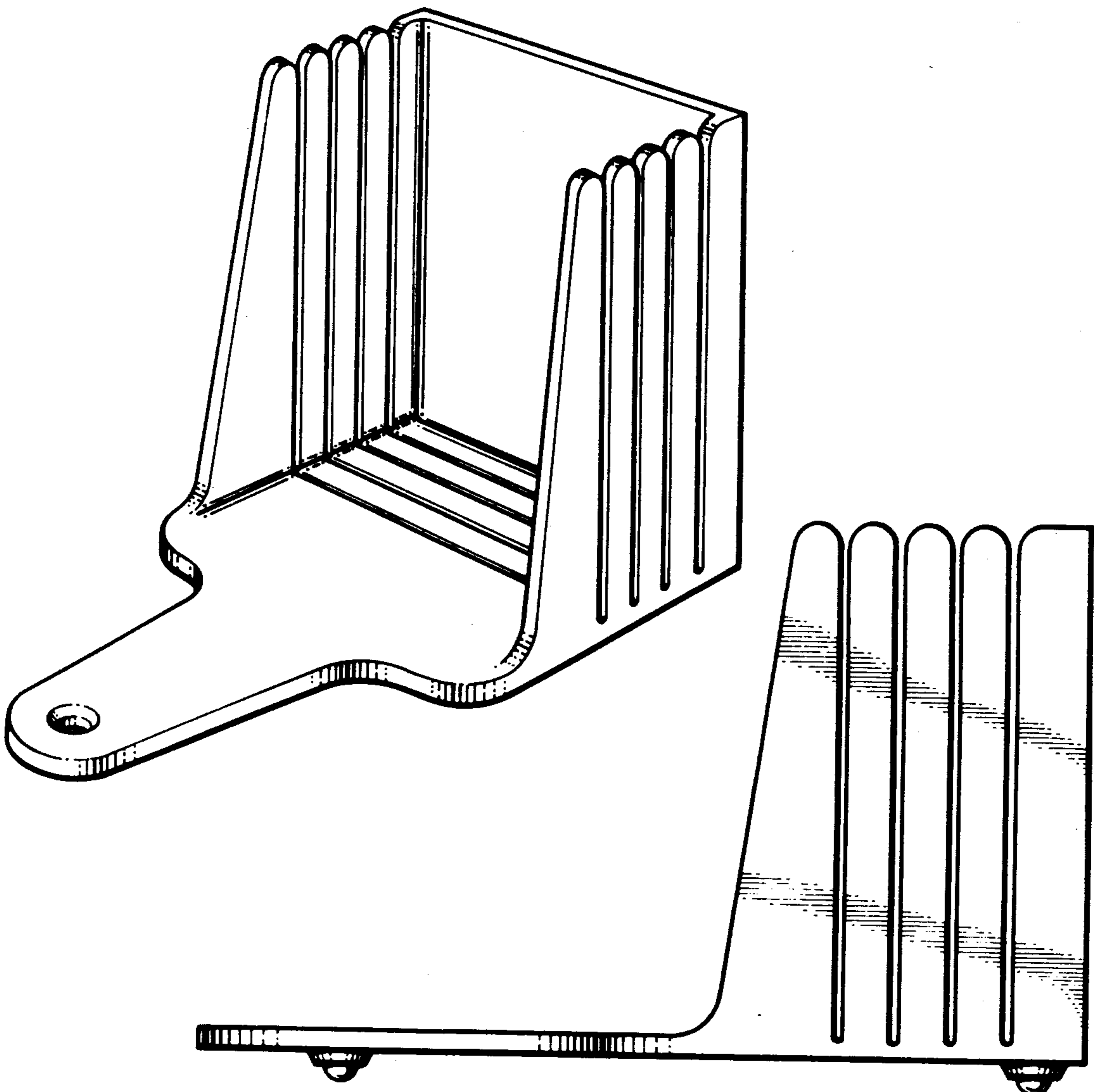
Primary Examiner—Winifred E. Herrmann  
Attorney, Agent, or Firm—Philip A. Mallinckrodt

[57] CLAIM

The ornamental design for a bread slicing guide, substantially as shown and described.

DESCRIPTION

FIG. 1 is a front perspective view of a bread slicing guide showing my new design;  
FIG. 2 is a front elevational view thereof;  
FIG. 3 is a rear elevational view thereof;  
FIG. 4 is a top plan view thereof;  
FIG. 5 is a side elevational view thereof looking from the right in FIG. 1; and  
FIG. 6 is a bottom plan view thereof.  
The side opposite that shown in FIG. 5 is a mirror image thereof.



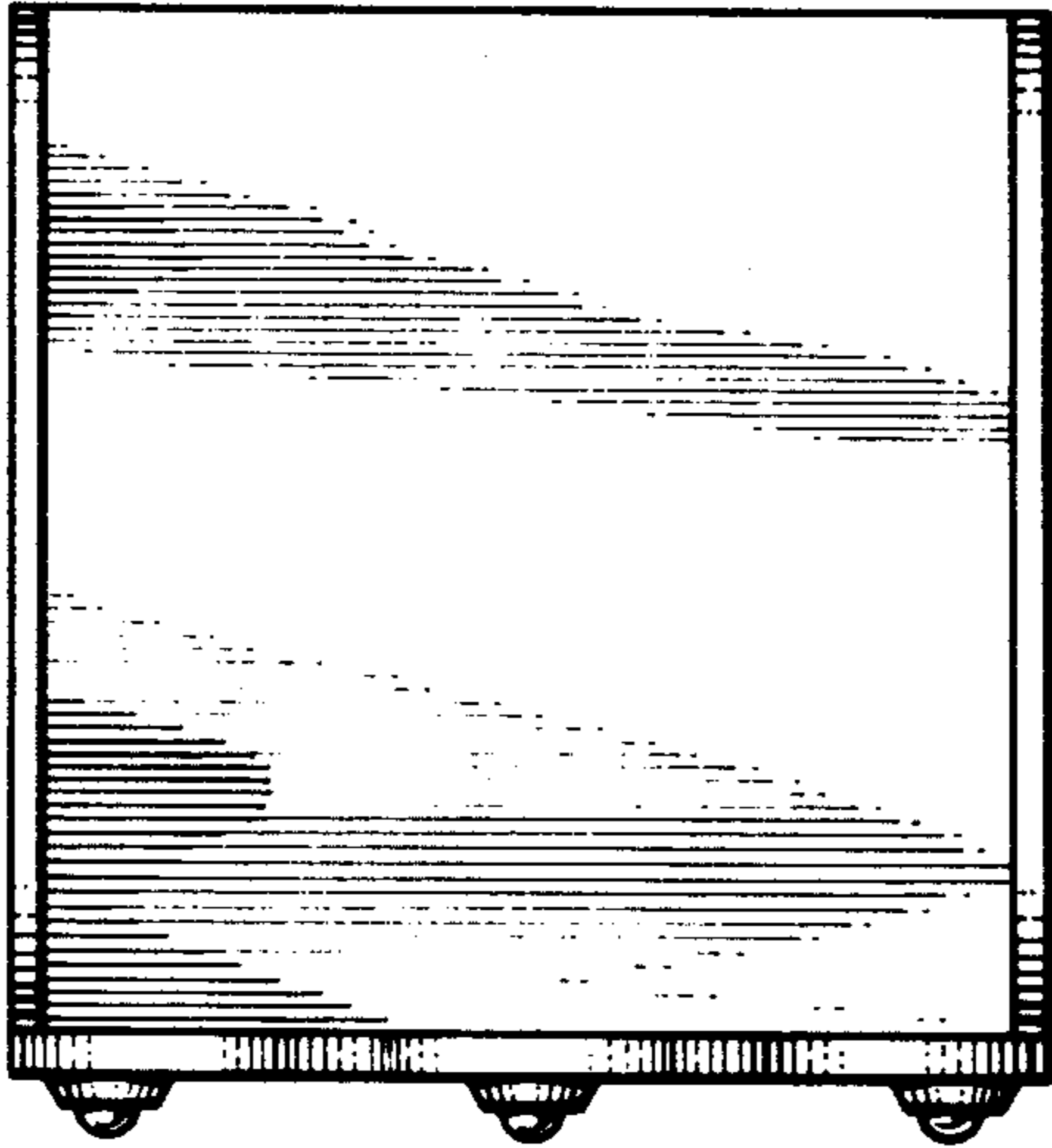
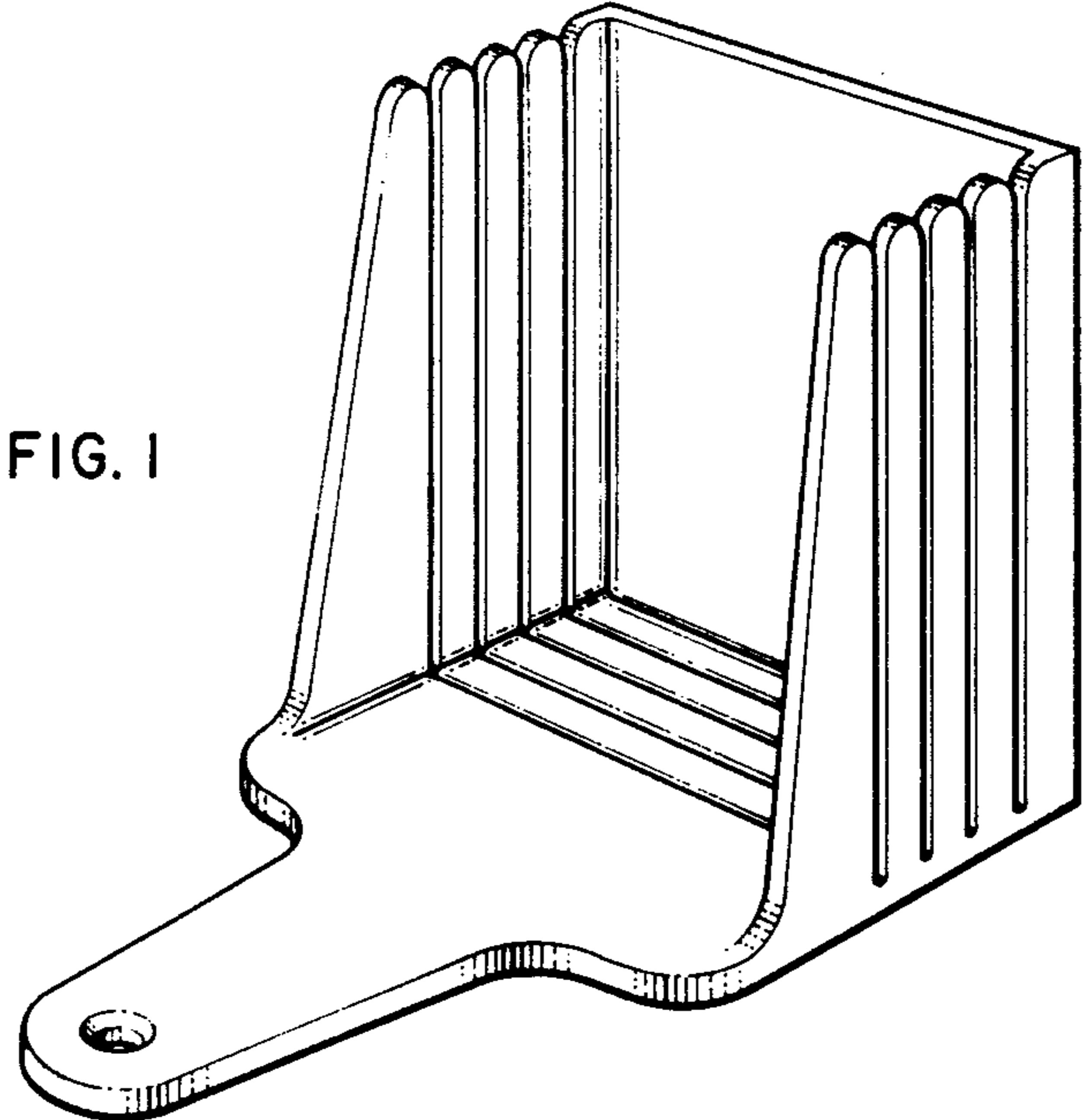


FIG. 3

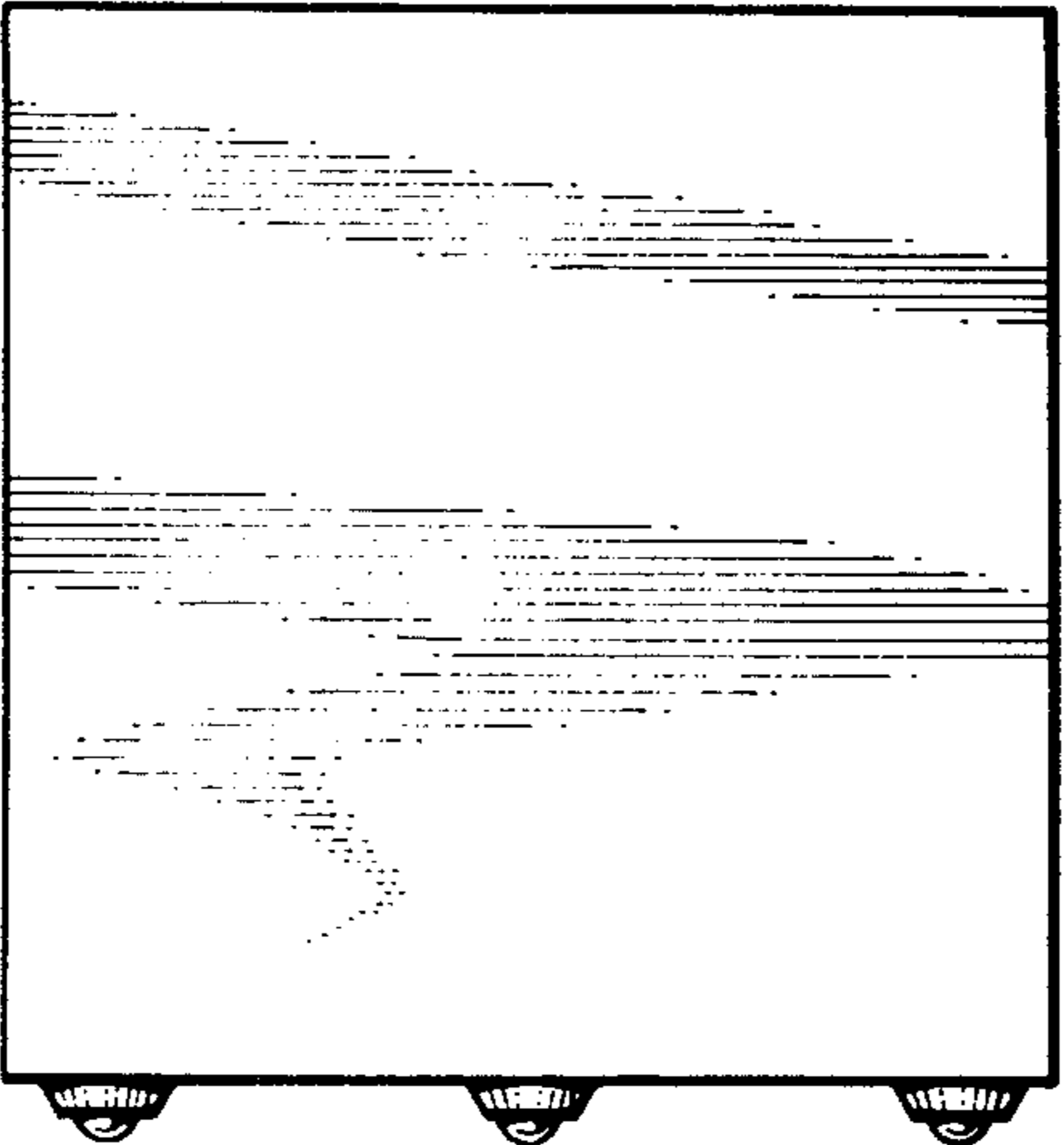


FIG. 4

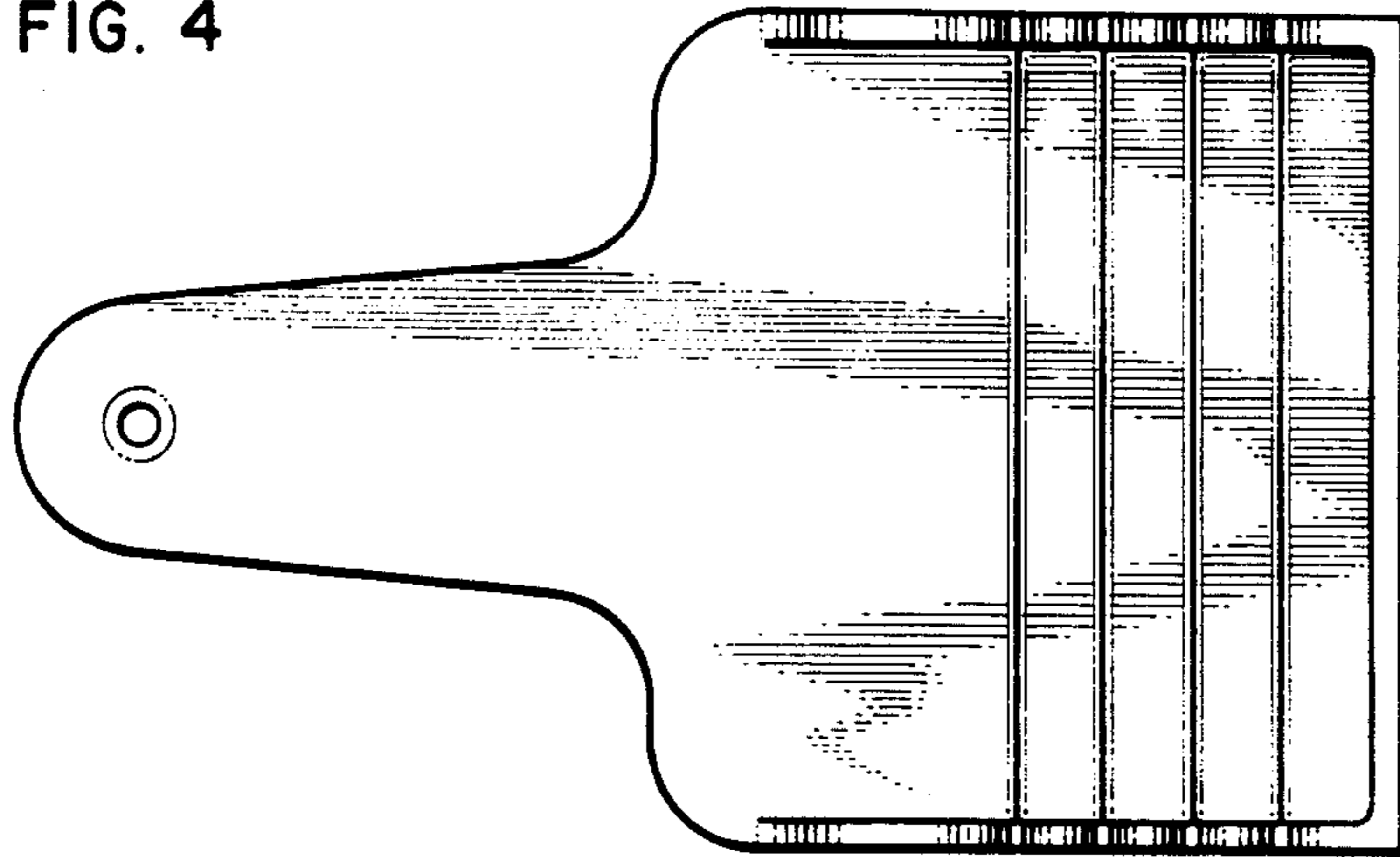


FIG. 5

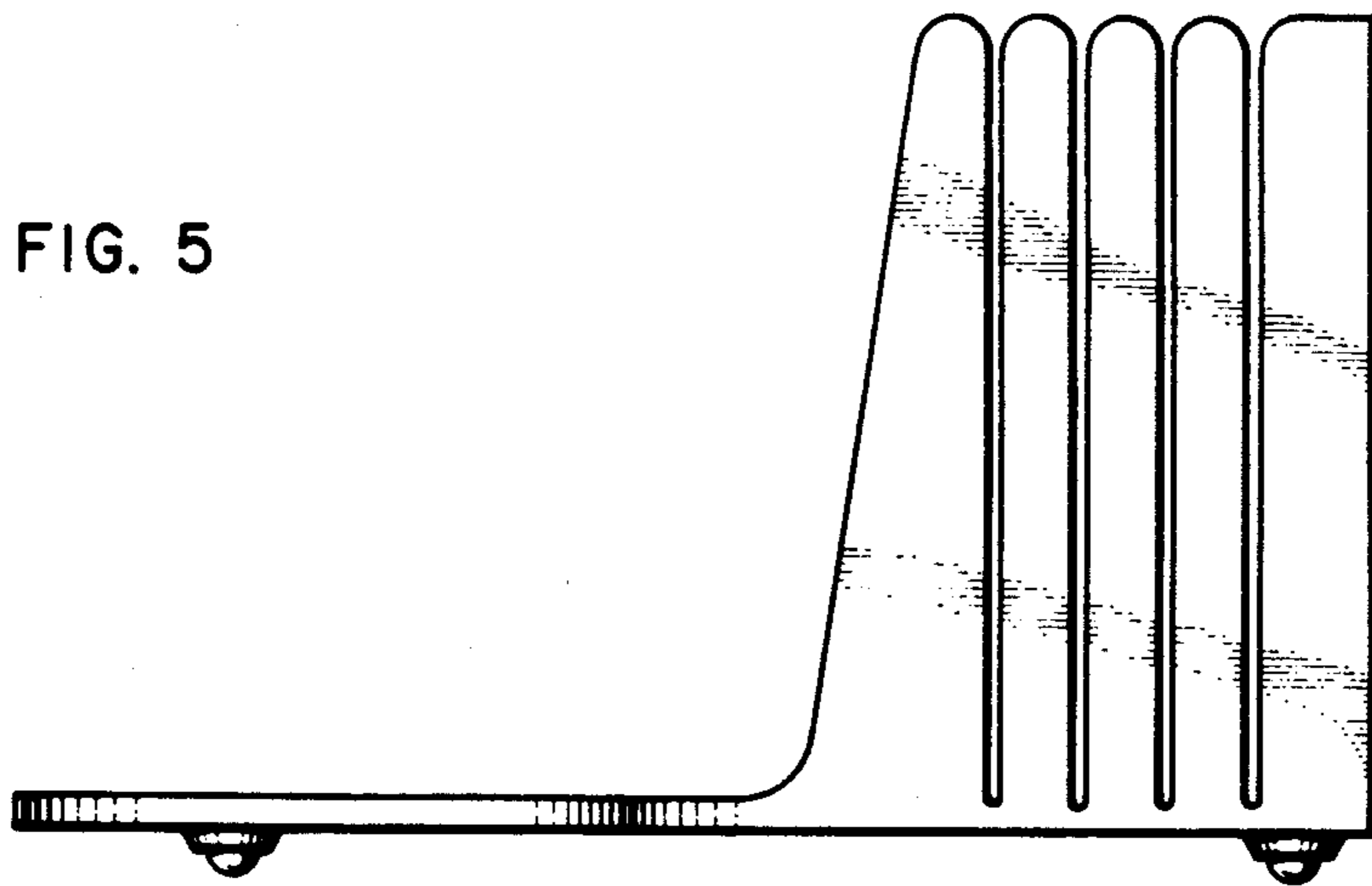


FIG. 6

