

[54] DISPLAY MODEL OF AN ASSEMBLY OF ENGINE PARTS

[75] Inventor: Michael P. Josvanger, Chesterfield, Mo.

[73] Assignee: McQuay-Norris, Inc., St. Louis, Mo.

[\*\*] Term: 14 Years

[21] Appl. No.: 856,270

[22] Filed: Dec. 1, 1977

[51] Int. Cl. .... D19-99

[52] U.S. Cl. .... D19/62

[58] Field of Search ..... D15/1, 3; 123/55 VE; D19/62; 35/13, 53, 51; 46/39

[56] References Cited

U.S. PATENT DOCUMENTS

2,639,544 5/1953 Coffin ..... 46/39

OTHER PUBLICATIONS

Sears Christmas Catalog, 1962, p. 336, Model of V-8 engine, top right side of page.

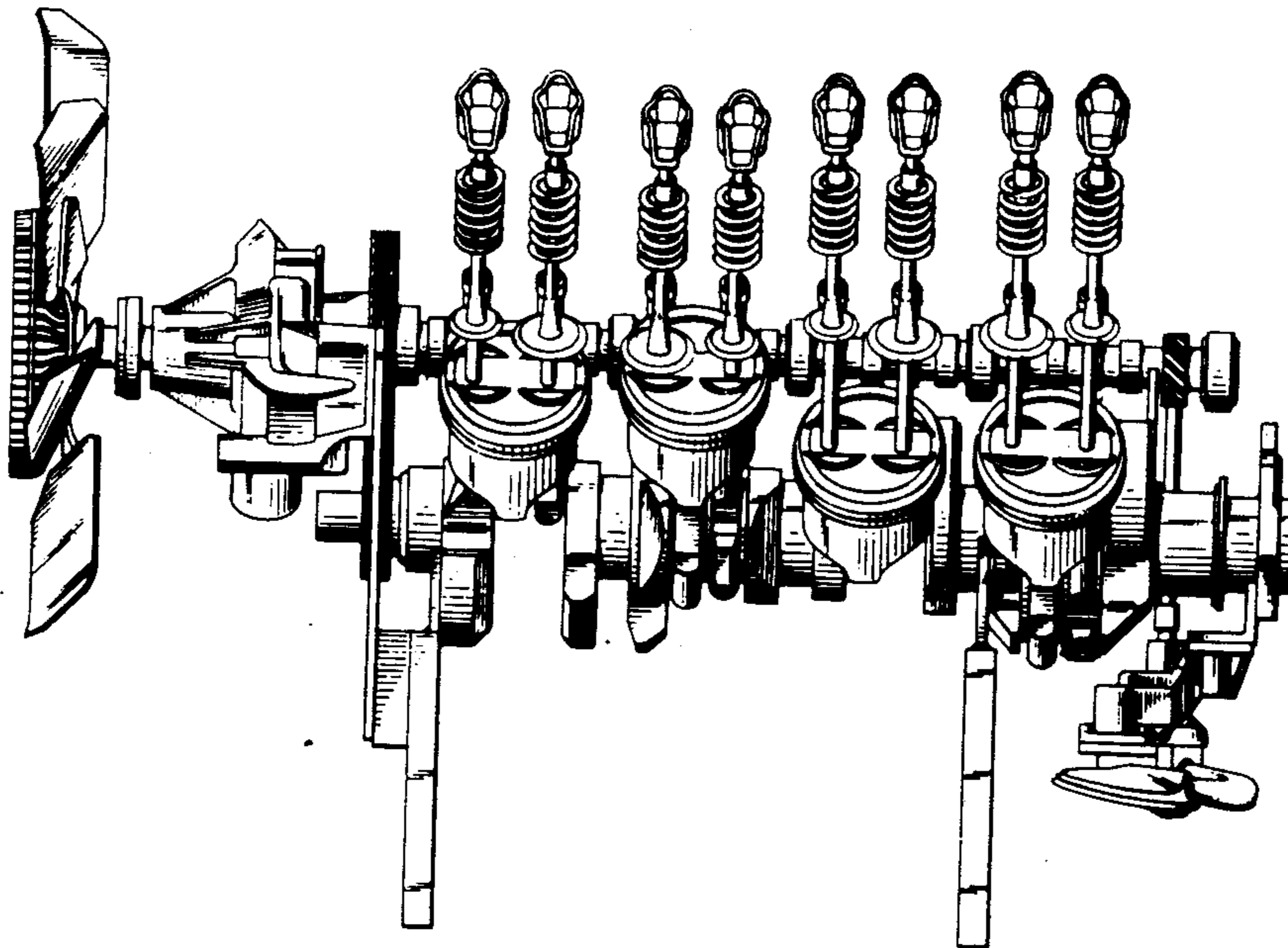
Primary Examiner—James M. Gandy  
Attorney, Agent, or Firm—Eugene E. Renz, Jr.

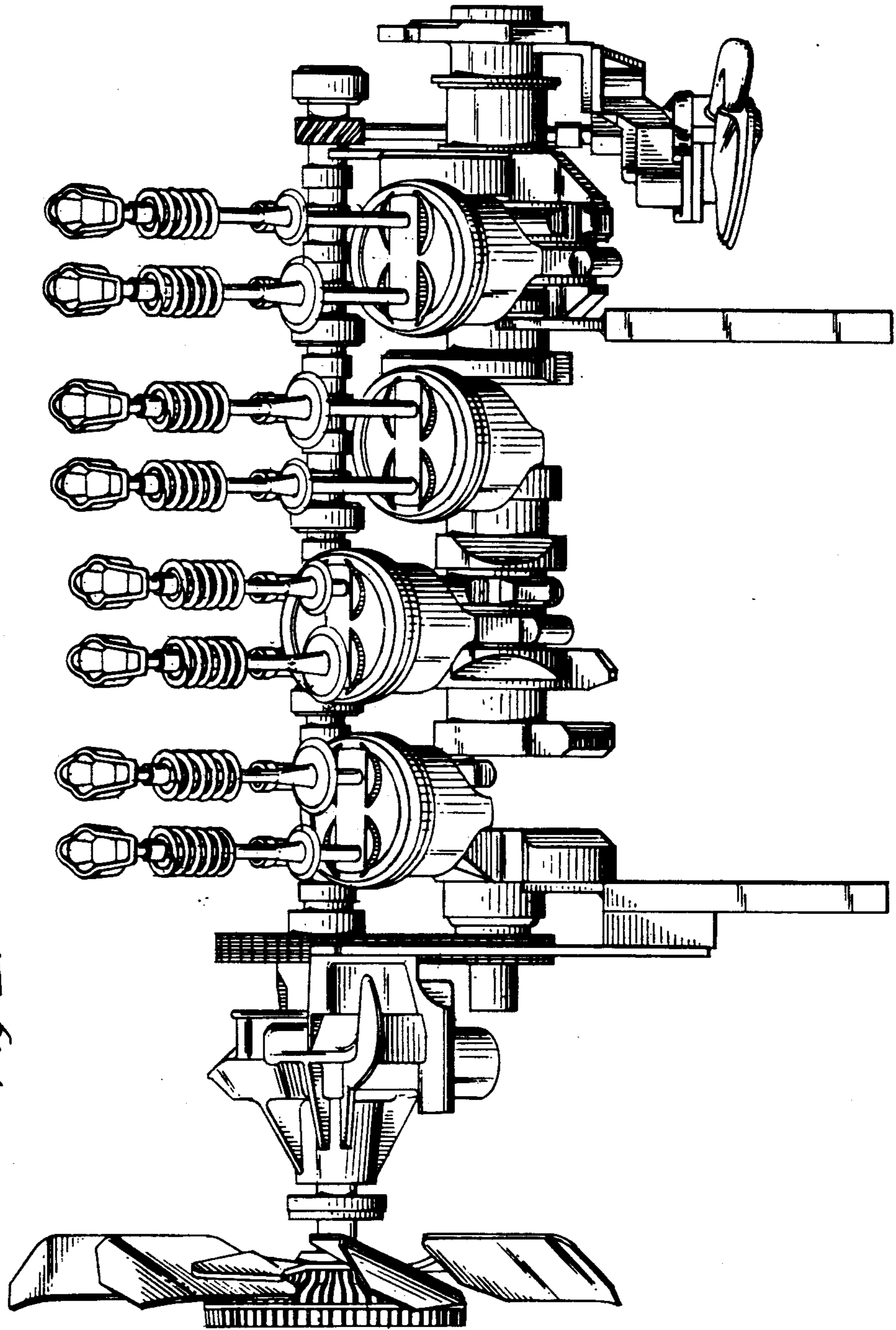
[57] CLAIM

The ornamental design for a display model of an assembly of engine parts, substantially as shown and described.

DESCRIPTION

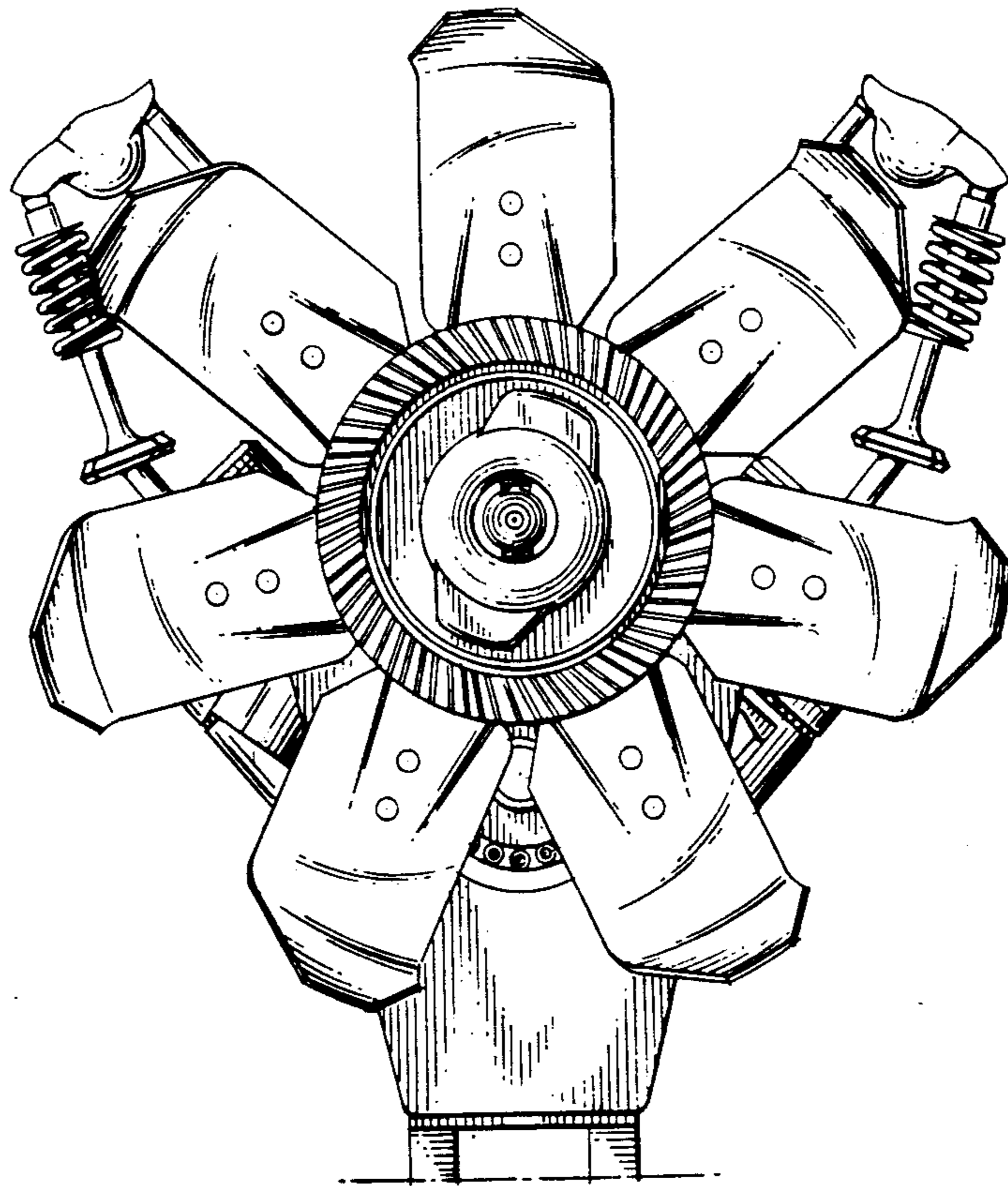
FIG. 1 is a side elevational view of a display model of an assembly of engine parts showing my new design; FIG. 2 is a top plan view thereof; FIG. 3 is a front elevational view thereof with the lower rear parts of the assembly omitted for ease of illustration; and FIG. 4 is a rear elevational view thereof. The support legs have been broken away in FIGS. 3 and 4 for convenience of illustration.



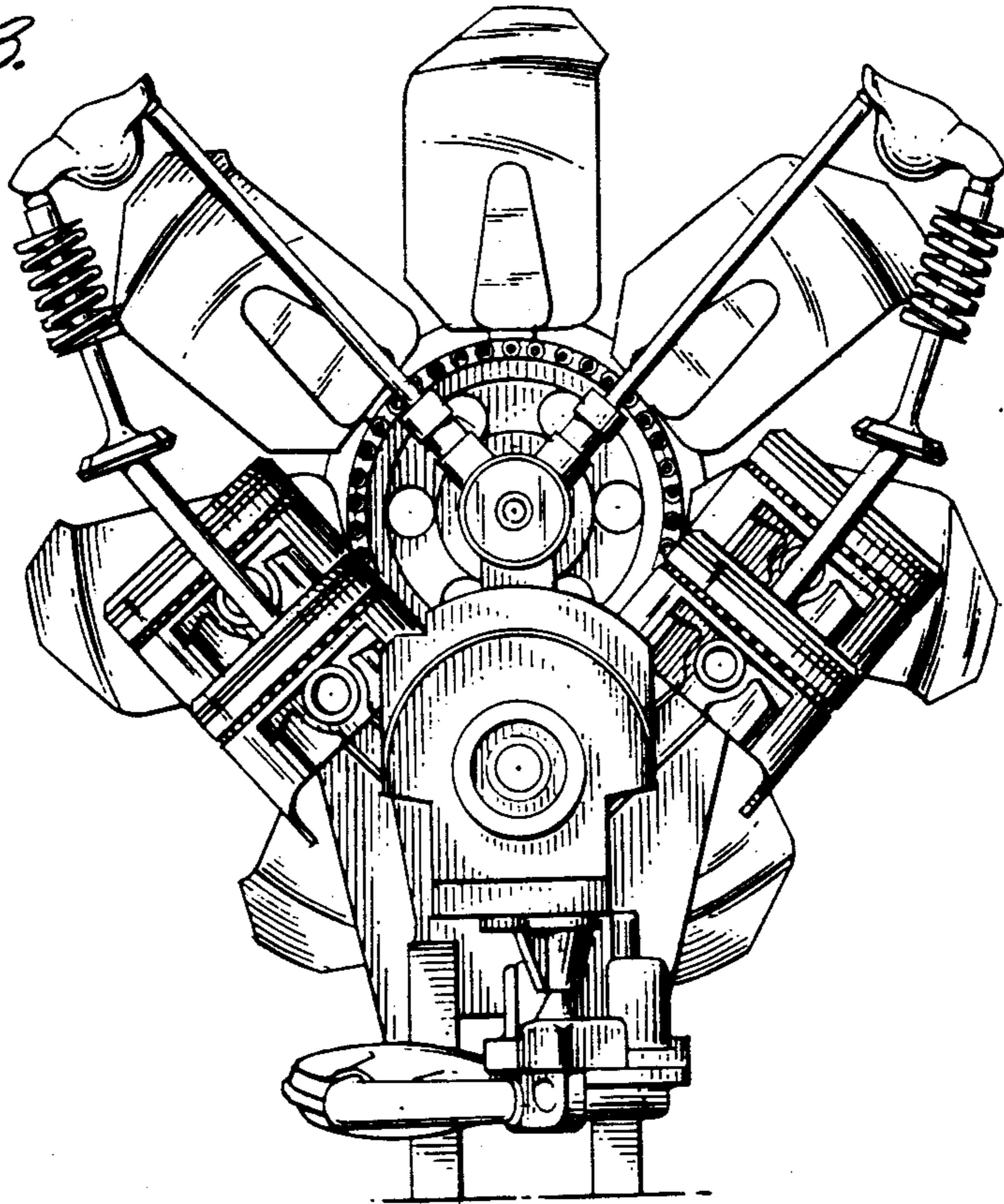


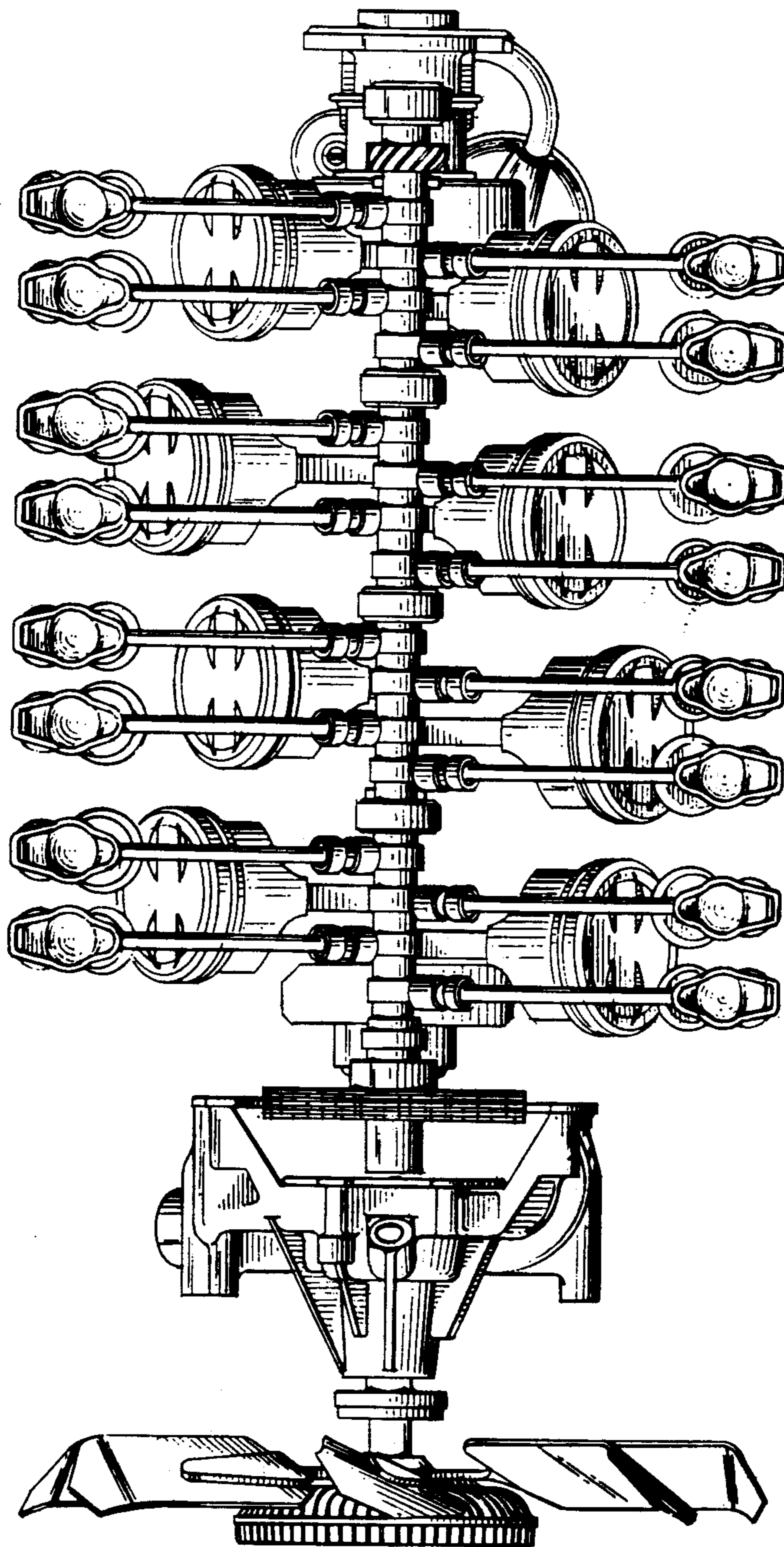
*Fig. 1.*

*Fig. 2.*



*Fig. 3.*





*Fig. 4.*