

[54] COMBINED HAIR DRYER AND STAND

[76] Inventor: Anthony Battaglia, 386 NE. 191st St., North Miami Beach, Fla. 33162

[**] Term: 14 Years

[21] Appl. No.: 812,443

[22] Filed: Jul. 5, 1977

[51] Int. Cl. D28-03

[52] U.S. Cl. D28/17; D28/13

[58] Field of Search D28/9-19; 219/222, 226, 370; 132/7, 9; 34/96-101

[56] References Cited

U.S. PATENT DOCUMENTS

- D. 230,778 3/1974 Kahn D28/15 X
- D. 239,885 5/1976 Leung D28/13
- D. 247,981 5/1978 Wistrand D28/18 X
- 2,591,669 4/1952 Bucknell et al. 34/97 X

FOREIGN PATENT DOCUMENTS

382385 11/1964 Switzerland D28/17

Primary Examiner—Louis S. Zarfes
Attorney, Agent, or Firm—Salvatore G. Militana

[57] CLAIM

The ornamental design for a combined hair dryer and stand, substantially as shown and described.

DESCRIPTION

FIG. 1 is a front elevational view of a combined hair dryer and stand showing my new design.

FIG. 2 is a side elevational view thereof, the obverse side being a mirror image.

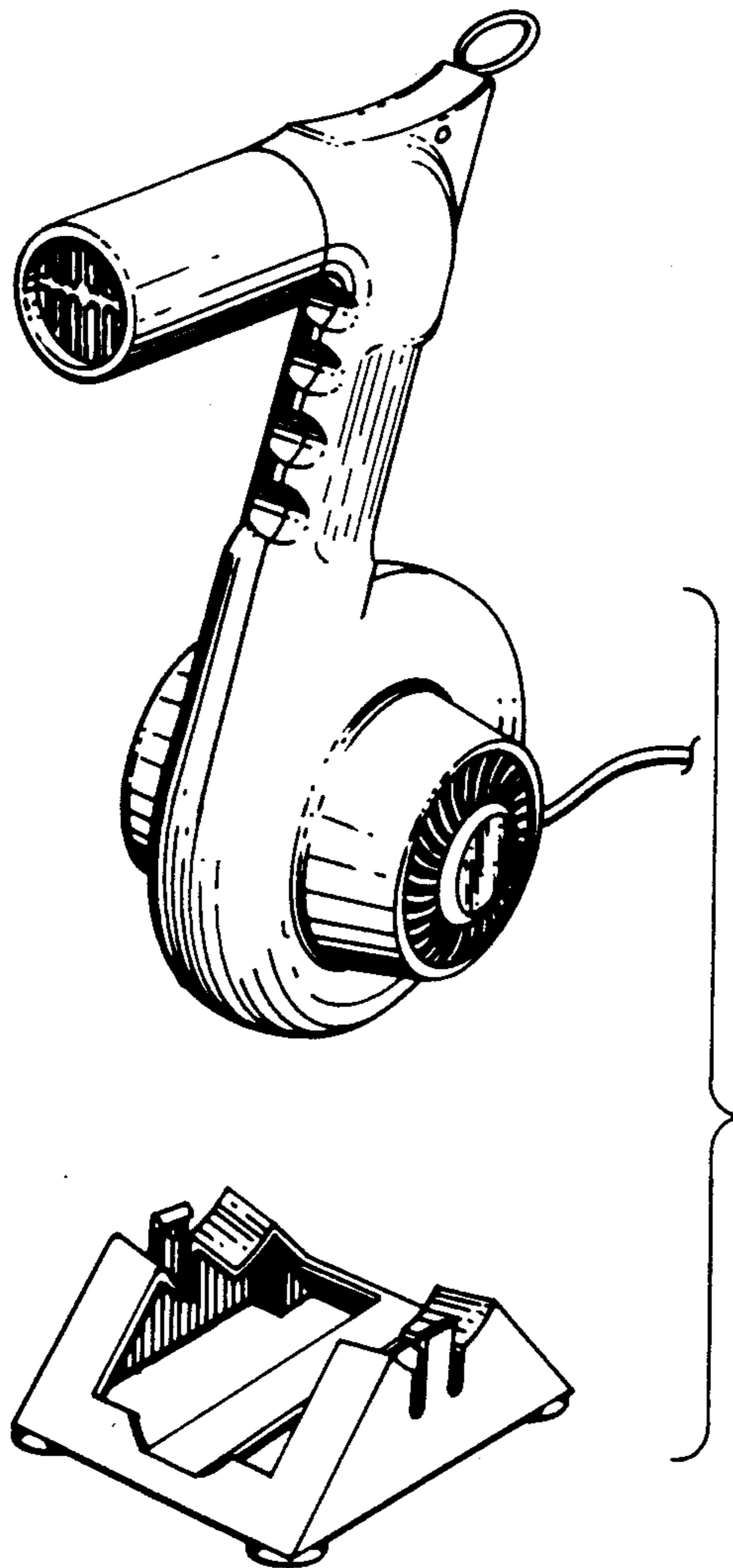
FIG. 3 is a rear elevational view.

FIG. 4 is a top plan view.

FIG. 5 is a bottom plan view, and

FIG. 6 is a perspective view showing the hair dryer and stand when separated.

The cord is shown broken away for convenience of illustration.



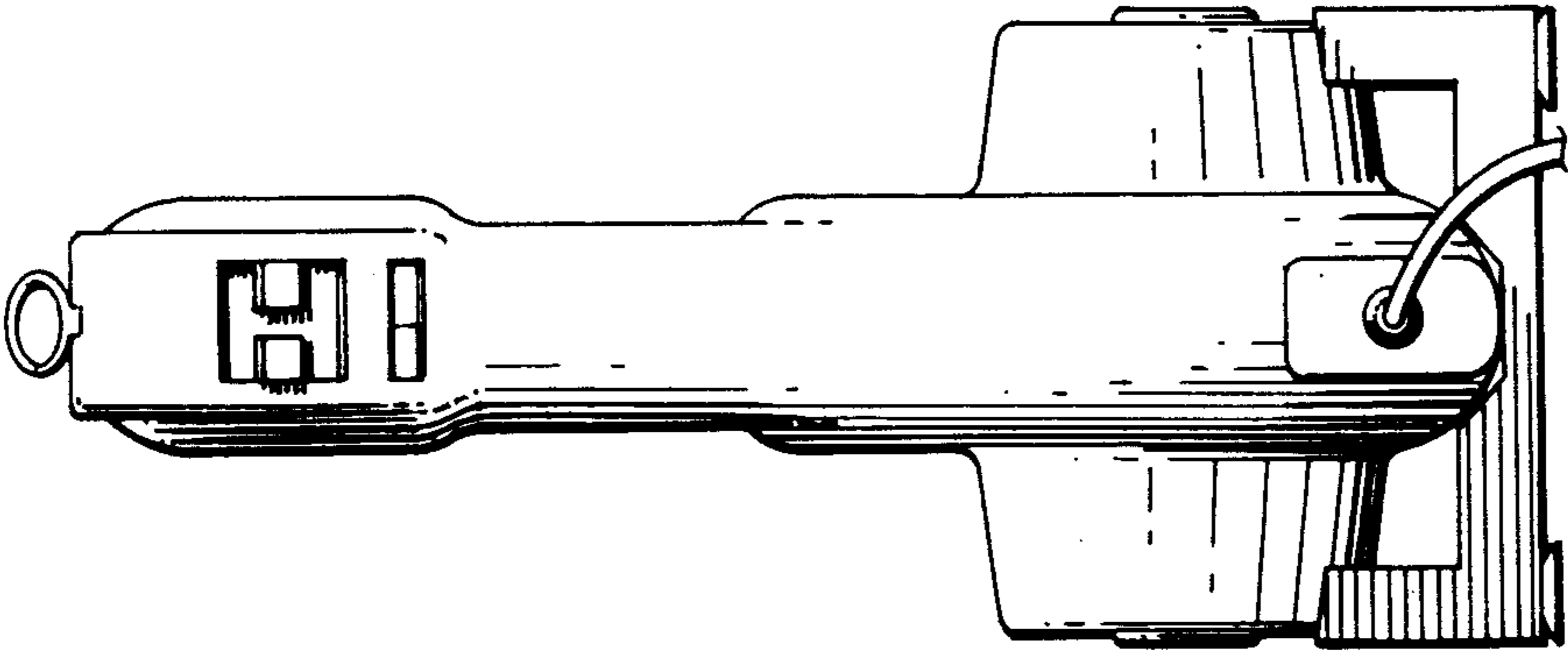


FIG.1

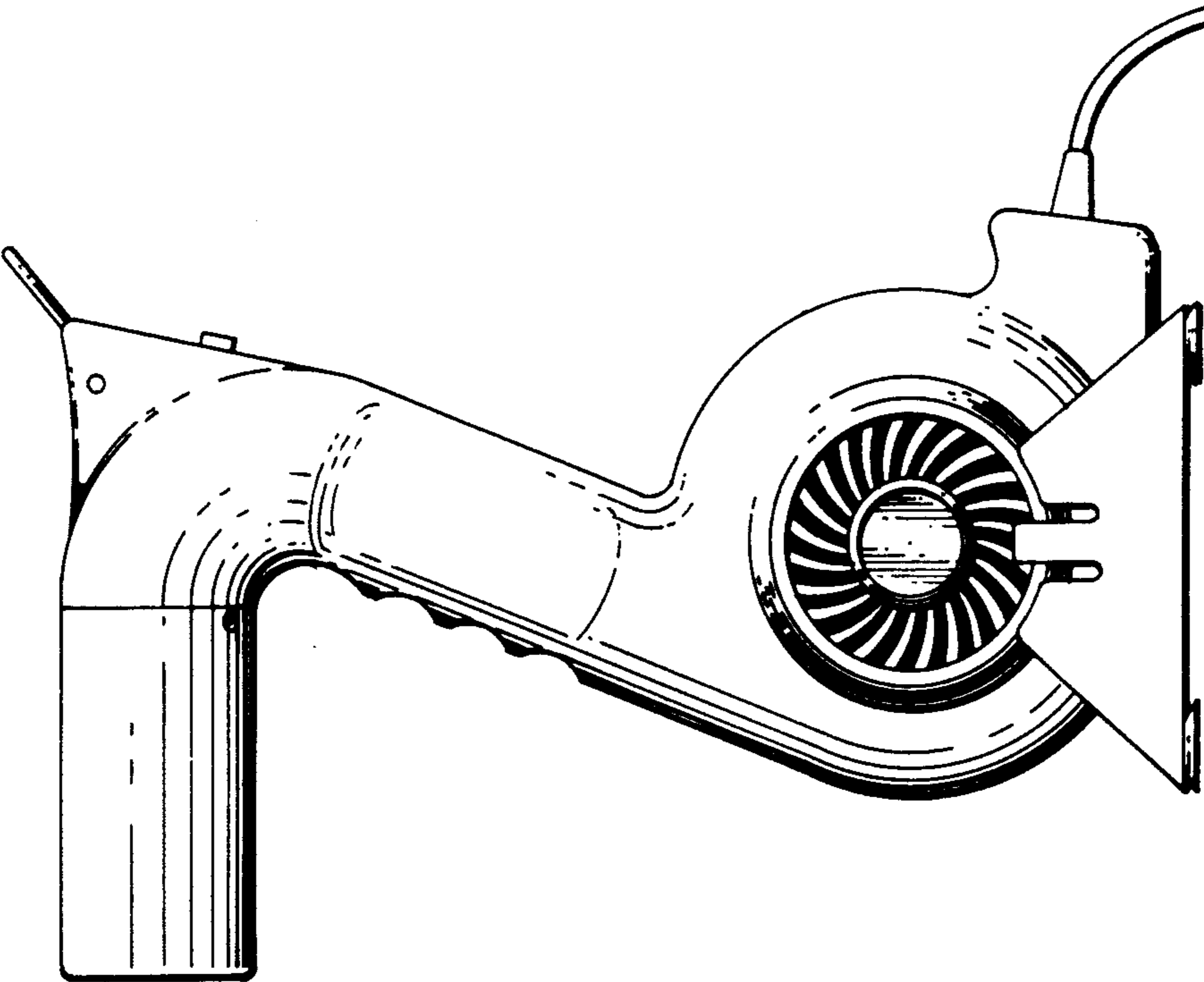


FIG.2

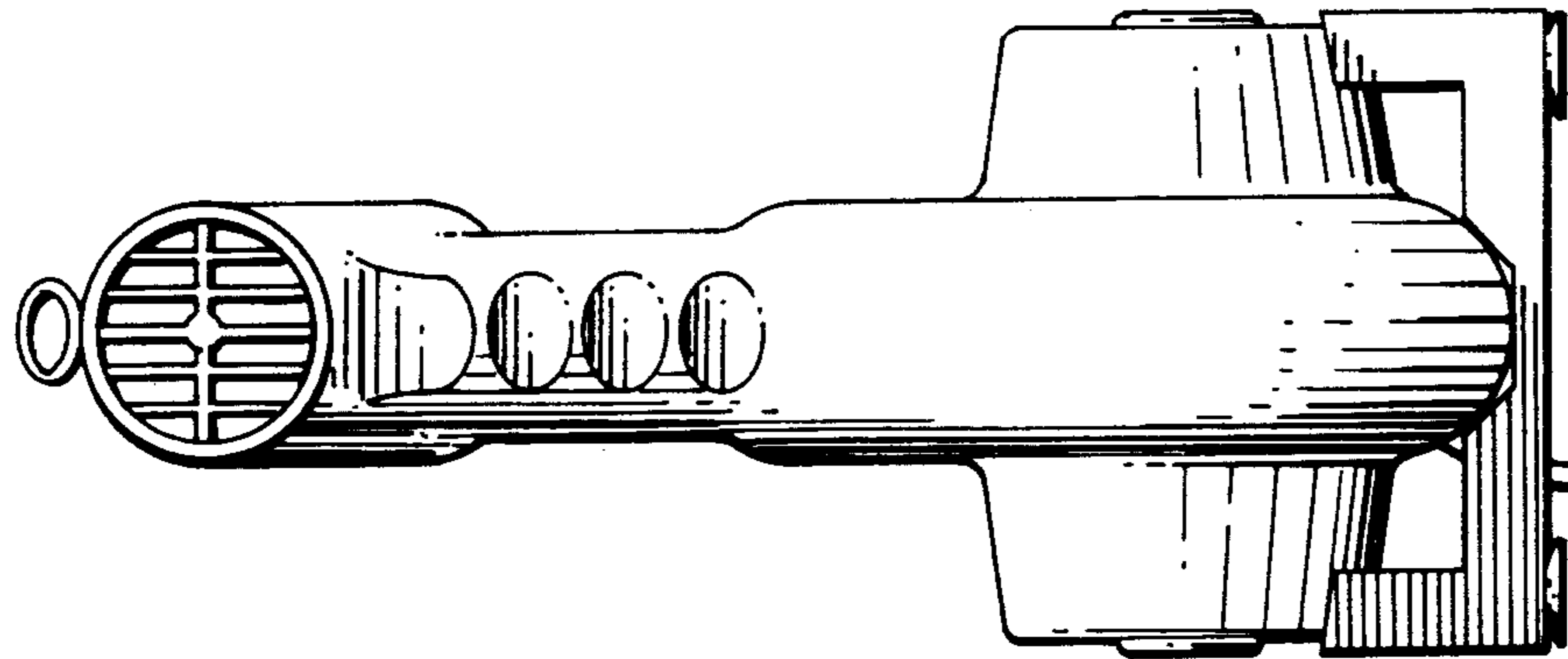


FIG.3

