

[54] **SHOWER STALL**

[76] Inventor: **Stephen W. Hess**, 15521 Ashley Cir., Westminster, Calif. 92683

[\*\*] Term: **14 Years**

[21] Appl. No.: **901,272**

[22] Filed: **Apr. 28, 1978**

[51] Int. Cl. .... **D23-02**

[52] U.S. Cl. .... **D23/57**

[58] Field of Search ..... **D23/48-50, D23/55-57, 69; D24/38; 4/2, 4, 5, 145, 146, 148, 149, 161, 162, 173, 175, 178, 180, 185 R**

[56] **References Cited**

**U.S. PATENT DOCUMENTS**

D. 219,514 12/1970 Skyhawk ..... D23/57

D. 227,010 5/1973 Alexander ..... D23/57  
D. 230,979 3/1974 Seymour ..... D23/57  
D. 235,262 6/1975 Seymour ..... D23/57  
D. 247,912 5/1978 Rath et al. .... D23/57

*Primary Examiner*—James R. Largen  
*Attorney, Agent, or Firm*—Robert H. Fraser

[57] **CLAIM**

The ornamental design for a shower stall, substantially as shown.

**DESCRIPTION**

FIG. 1 is a front perspective view of a shower stall showing my new design;  
FIG. 2 is a perspective view taken from the bottom, rear and one side thereof; and  
FIG. 3 is a top plan view thereof; and  
FIG. 4 is a fragmentary cross sectional view taken on line 4-4 of FIG. 3.

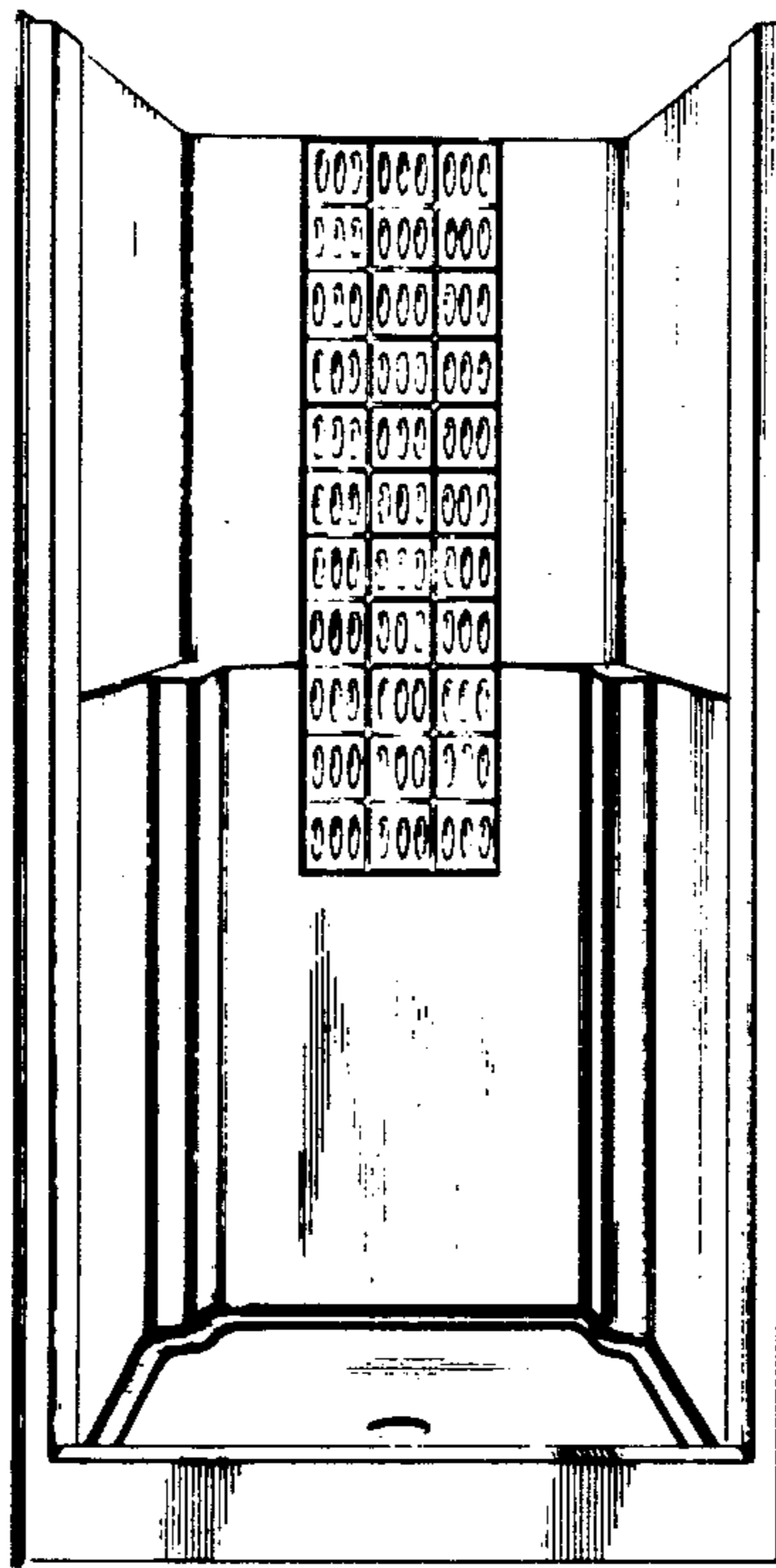


FIG. 1

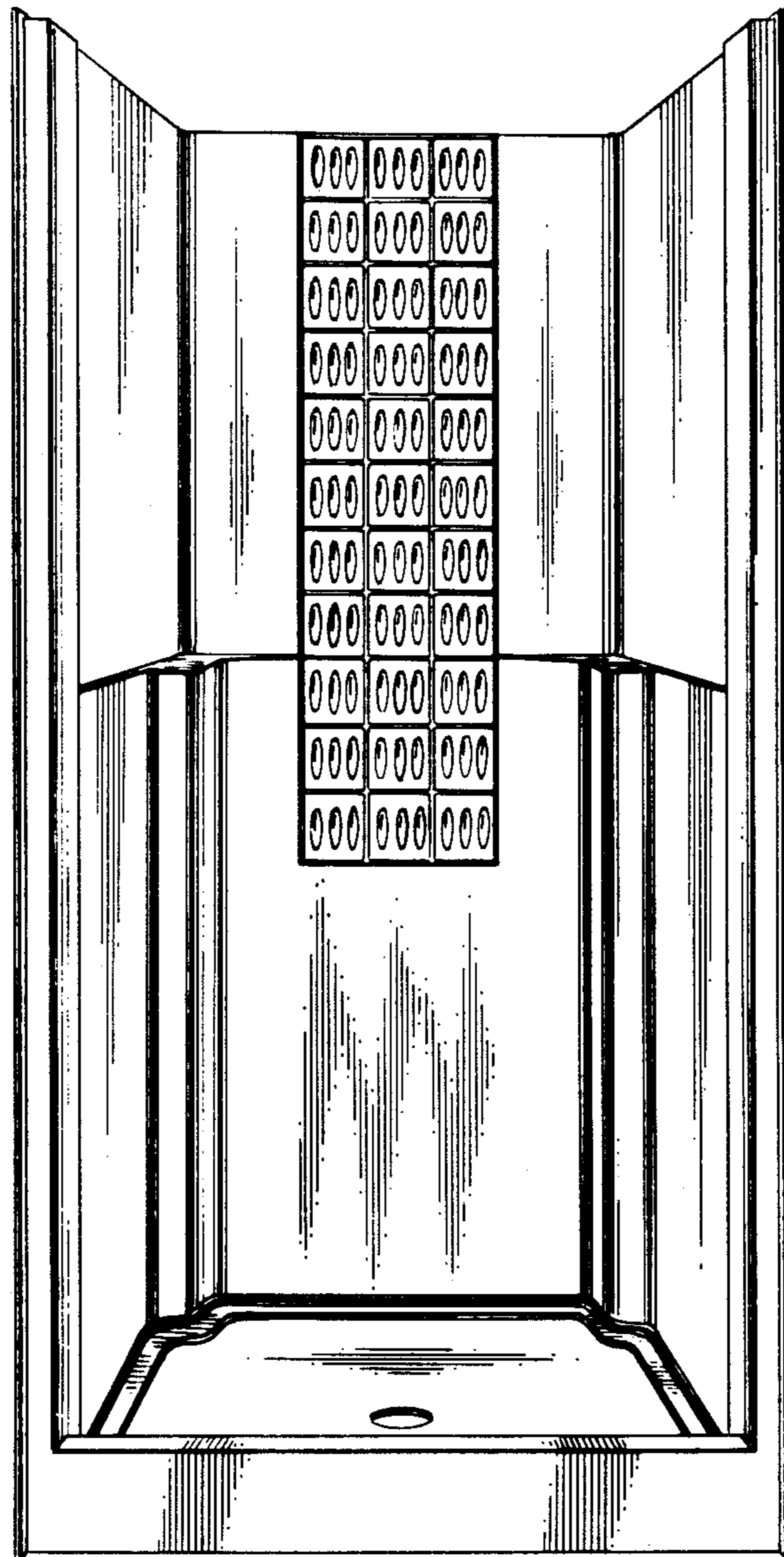


FIG. 2

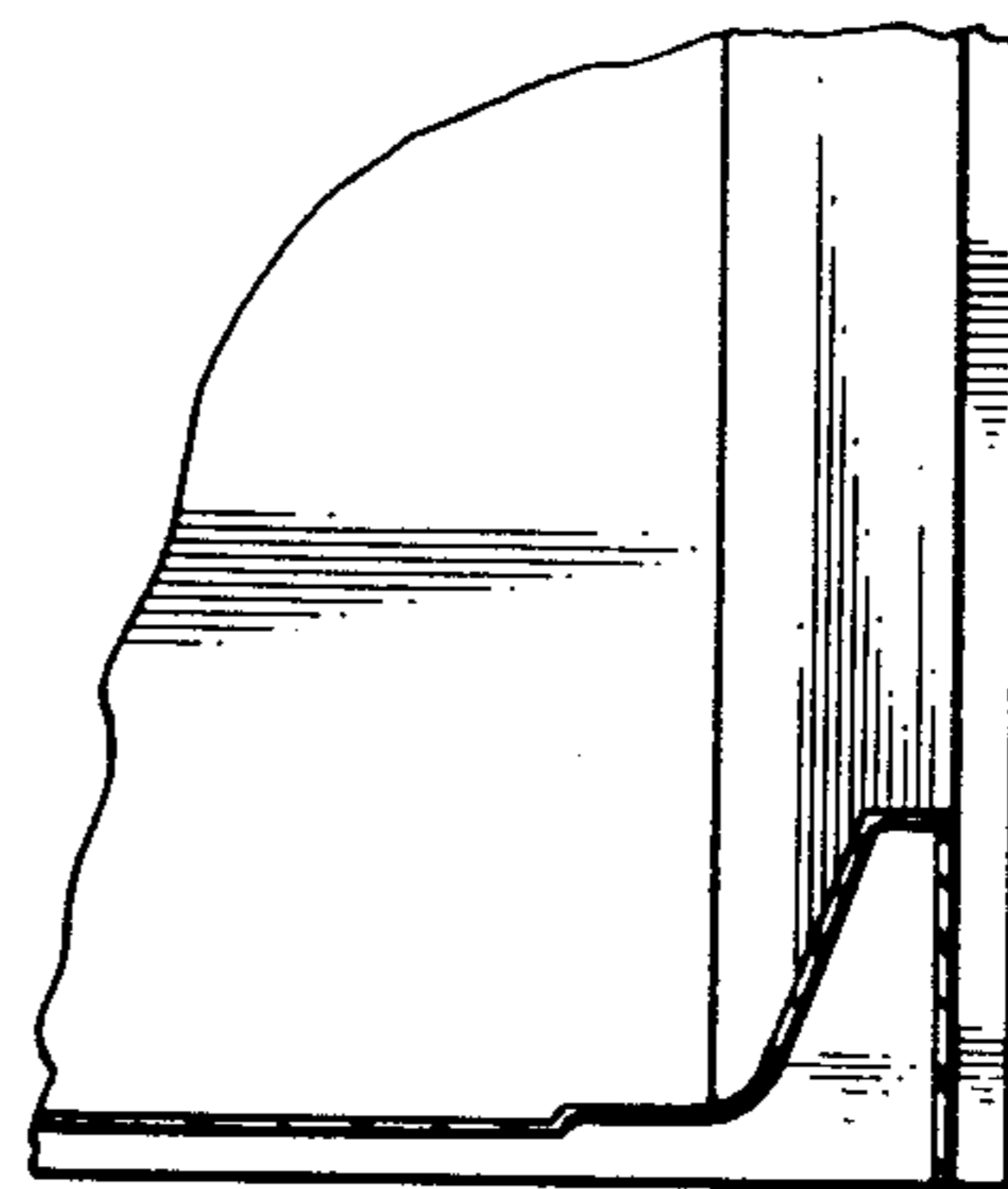
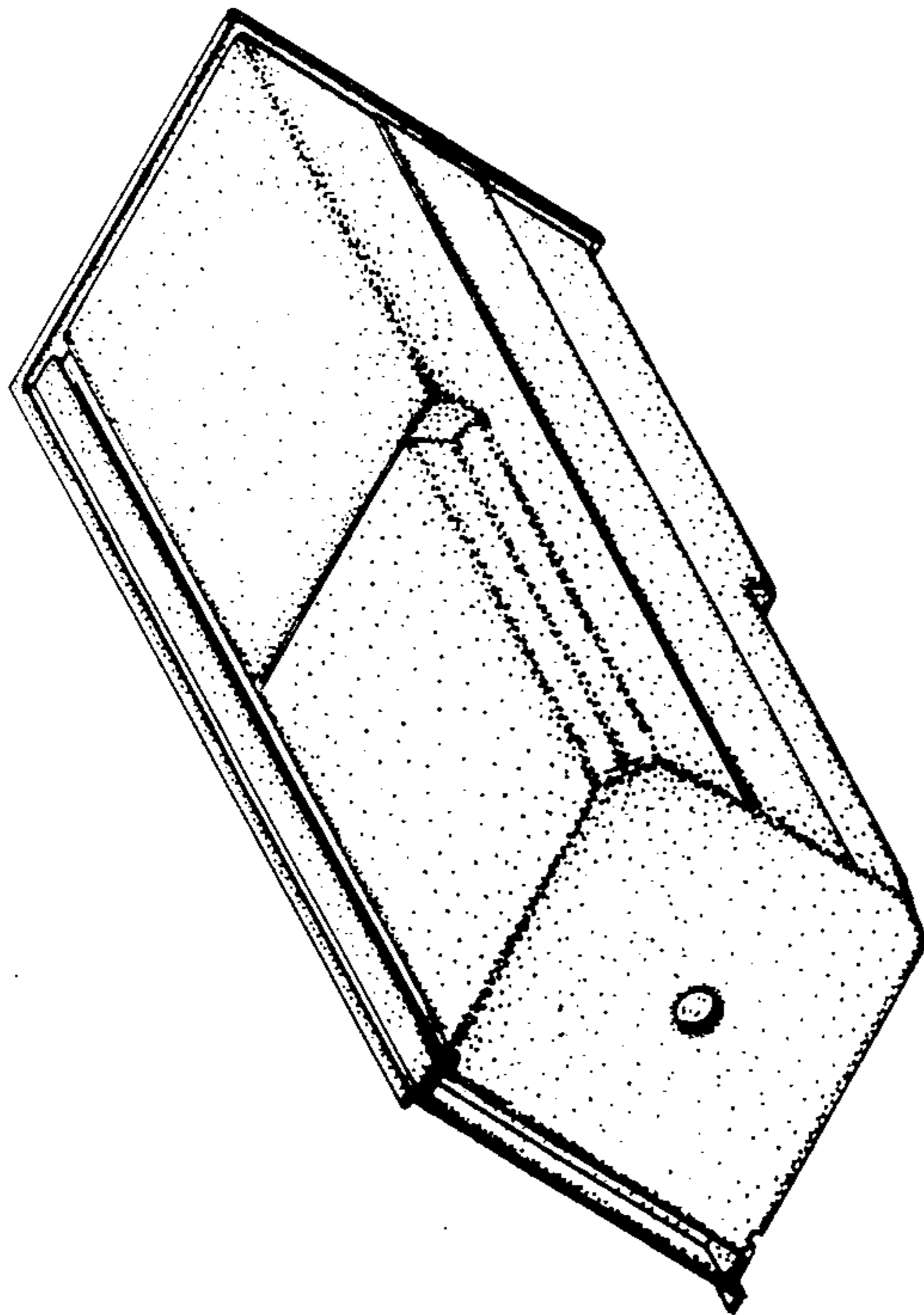


FIG. 4

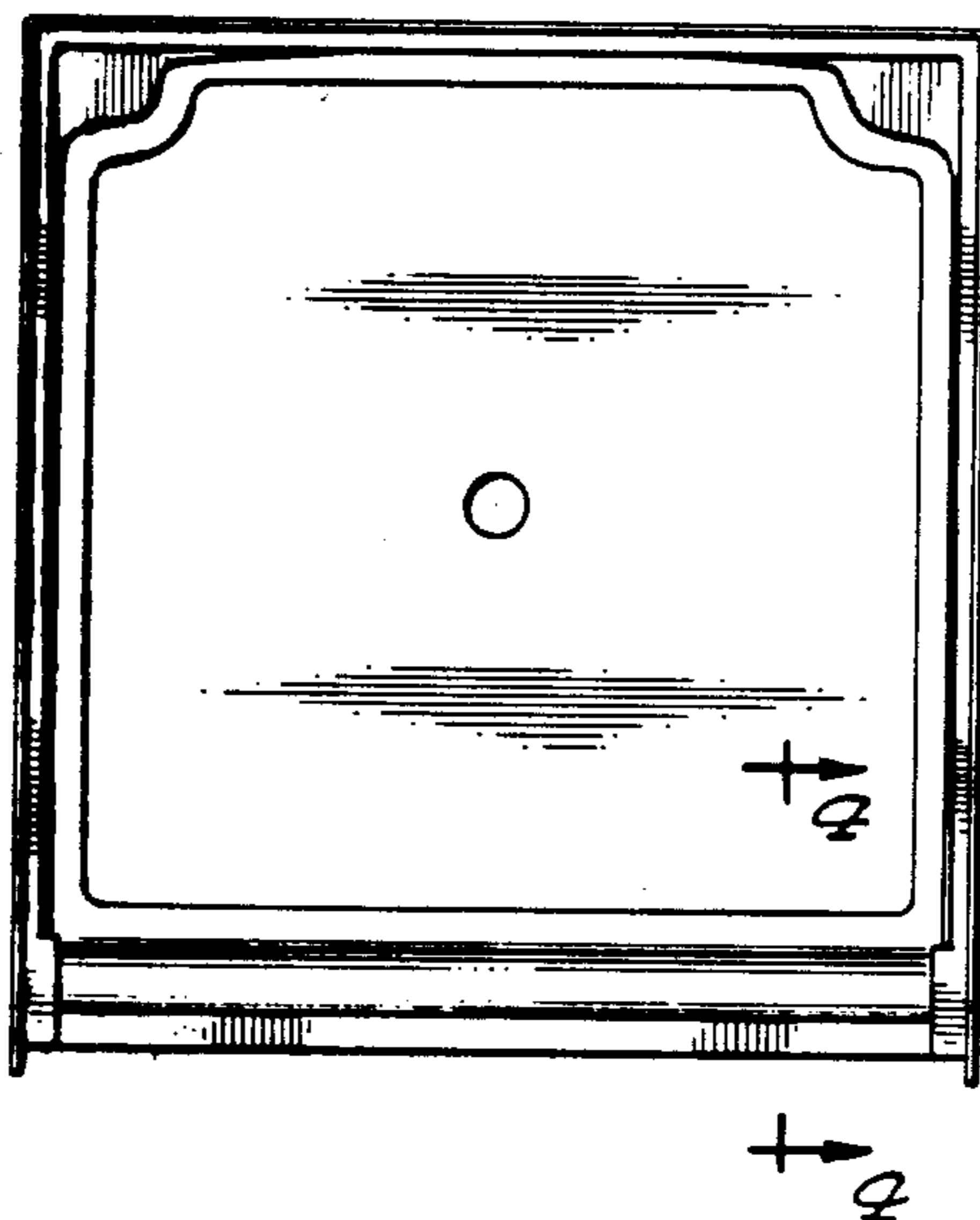


FIG. 3