

[54] ROMAN OIL FOUNTAIN

[76] Inventor: **Mario Rosero**, 1341 W. Foster Ave.,  
Chicago, Ill. 60640

[\*\*] Term: **14 Years**

[21] Appl. No.: **946,443**

[22] Filed: **Sep. 27, 1978**

[51] Int. Cl. .... **D23-01**

[52] U.S. Cl. .... **D23/13**

[58] Field of Search ..... **D23/13; 239/17-23**

D. 221,650 8/1971 Gruber ..... D23/13

1,939,803 12/1933 Cataldi ..... 239/17

3,151,811 10/1964 Hruby, Jr. .... 239/20

3,490,694 1/1970 Ashby ..... 239/18

OTHER PUBLICATIONS

Institutions, Nov. 1938, p. 184, "Caterer's Equipment Company" advertisement.

Primary Examiner—James R. Largen  
Attorney, Agent, or Firm—Charles A. Laff

[57] CLAIM

The ornamental design for the roman oil fountain, as shown.

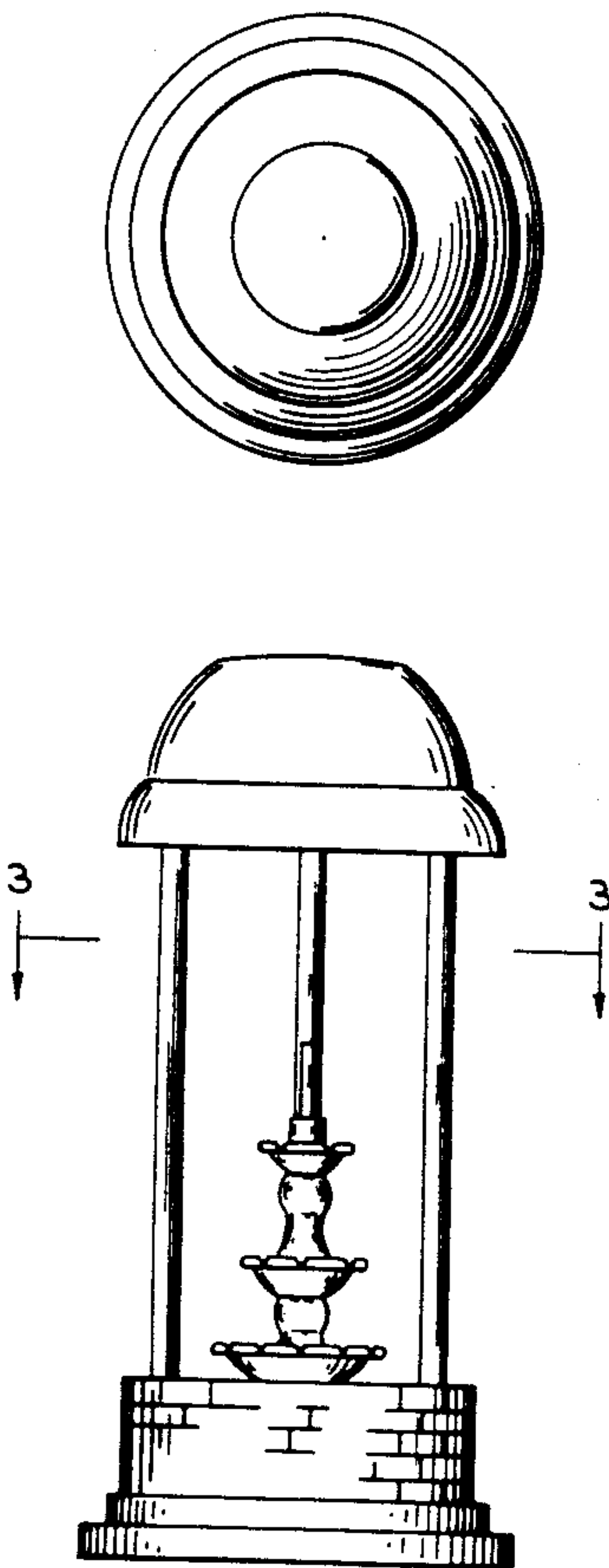
DESCRIPTION

FIG. 1 is a side elevational view of a roman oil fountain showing my new design; FIG. 2 is a top plan view thereof; and FIG. 3 is a cross sectional view taken on line 3—3 of FIG. 1.

[56] **References Cited**

**U.S. PATENT DOCUMENTS**

182,251	9/1876	Wetmore	239/21
D. 182,724	5/1958	Kaufmann	D23/13
D. 206,565	12/1966	Forney	D23/13
D. 211,686	7/1968	Pontrelli	D23/13
D. 221,337	8/1971	Price	D23/13



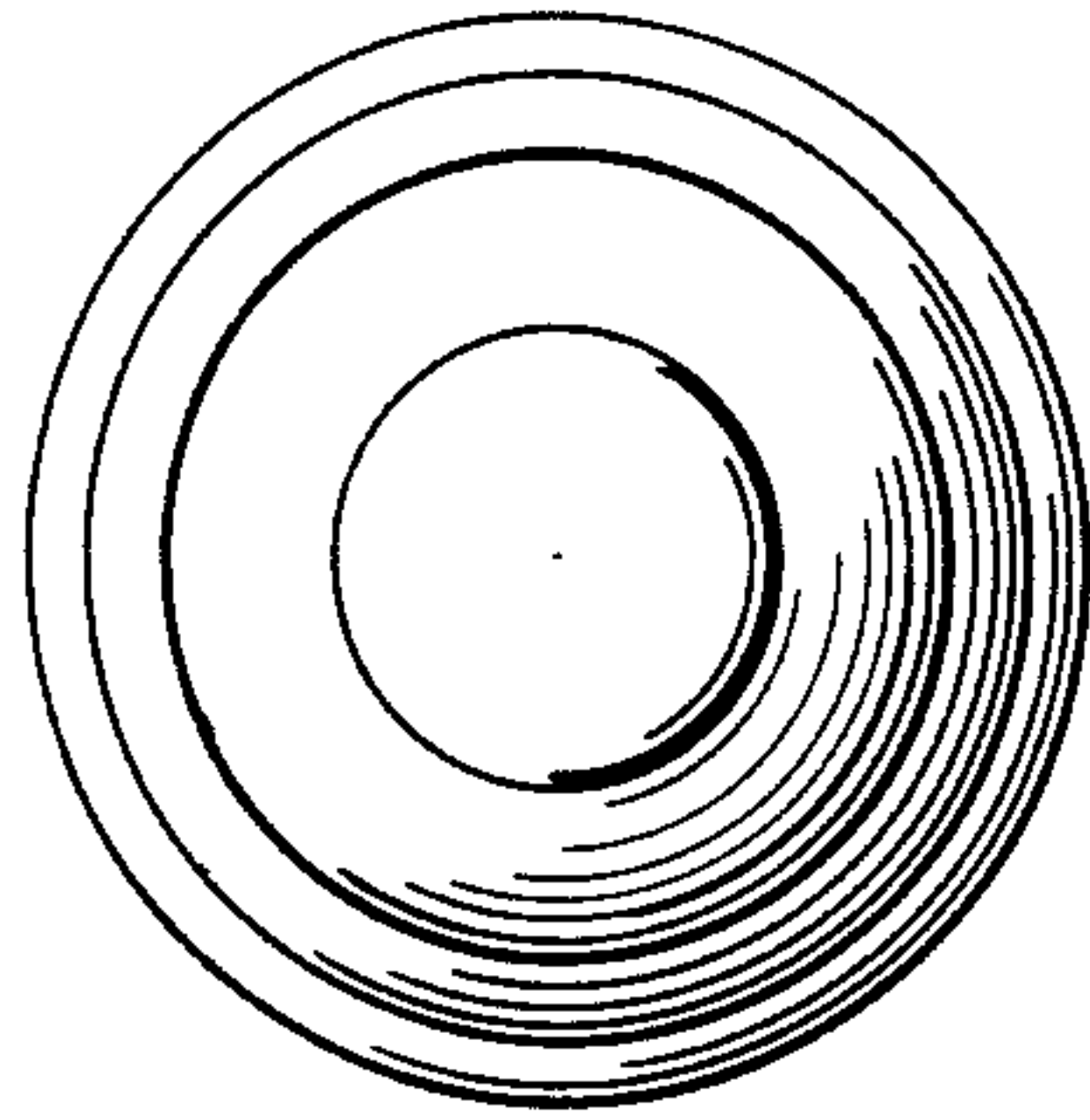


FIG. 2

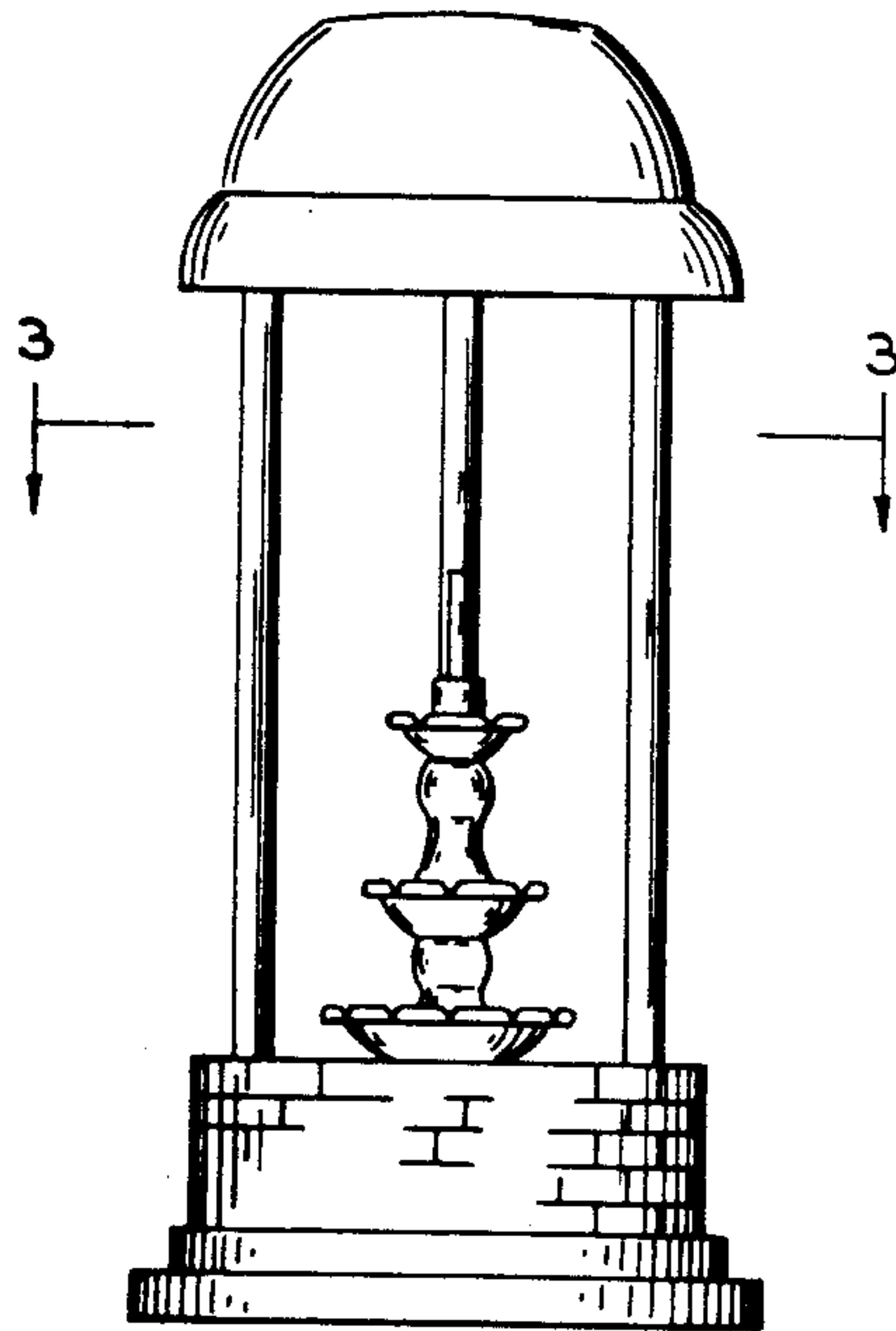


FIG. 1

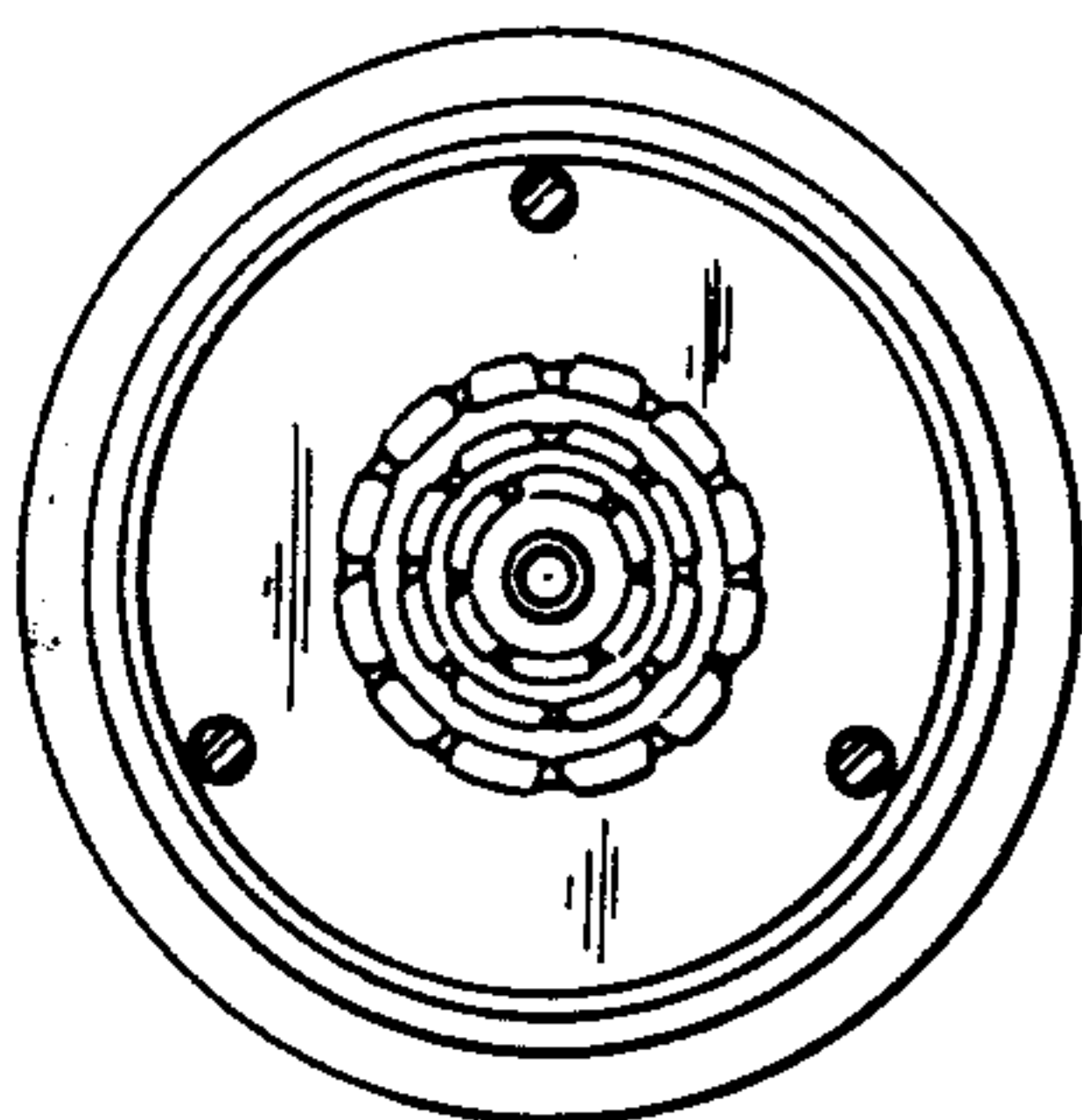


FIG. 3