

[54] DIVERTER PUMP

[75] Inventors: Lawrence C. Digney, Guilford; Warren J. Thomson, Rocky Hill, both of Conn.

[73] Assignee: Gulf & Western Manufacturing Company

[**] Term: 14 Years

[21] Appl. No.: 833,419

[22] Filed: Sep. 15, 1977

[51] Int. Cl. D23-01; D15-02

[52] U.S. Cl. D23/14

[58] Field of Search D15/7-9; D23/14-16; 417/442, 571

[56] References Cited

U.S. PATENT DOCUMENTS

- D. 211,687 7/1968 Callamore, Jr. D23/14
- D. 216,977 3/1970 Callamore, Jr. D23/14

- D. 223,357 4/1972 Lacy, Jr. D23/14
- D. 224,594 8/1972 Eves et al. D23/14
- 2,183,421 12/1939 Brady 137/211.5
- 2,843,051 7/1958 Allen 417/571 X
- 3,034,450 5/1962 Kruckeberg 137/512.4 X

Primary Examiner—James R. Largen
Attorney, Agent, or Firm—Thomas E. Harrison, Jr.

[57] CLAIM

The ornamental design for a diverter pump, as shown and described.

DESCRIPTION

FIG. 1 is a top plan view of a diverter pump showing our new design;
 FIG. 2 is an elevational view taken from one side thereof, the opposite side being a mirror image of the side shown;
 FIG. 3 is a bottom view thereof;
 FIG. 4 is an elevational view taken from one end thereof; and
 FIG. 5 is an elevational view taken from the end opposite that shown in FIG. 4.

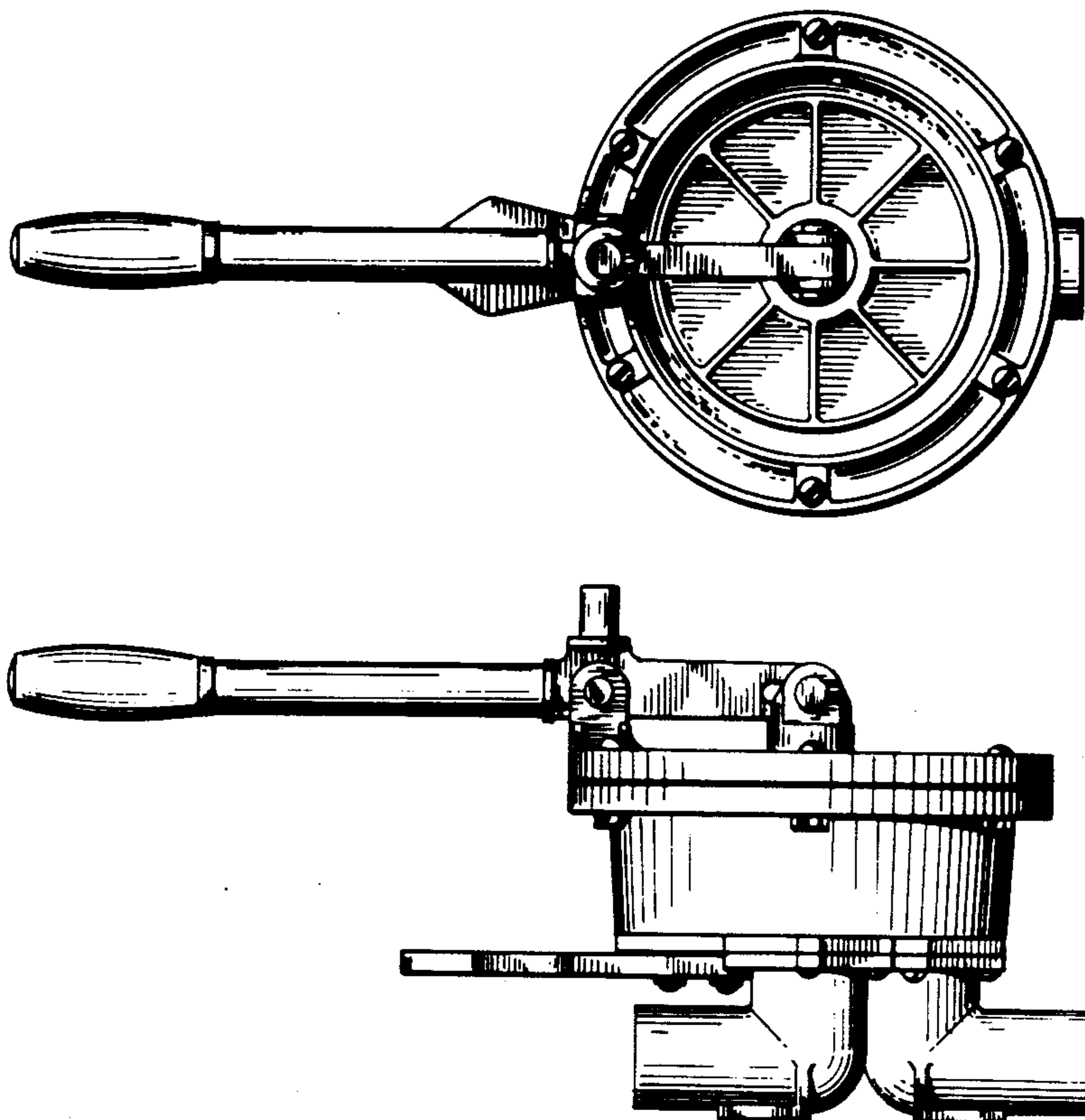


Fig. 1.

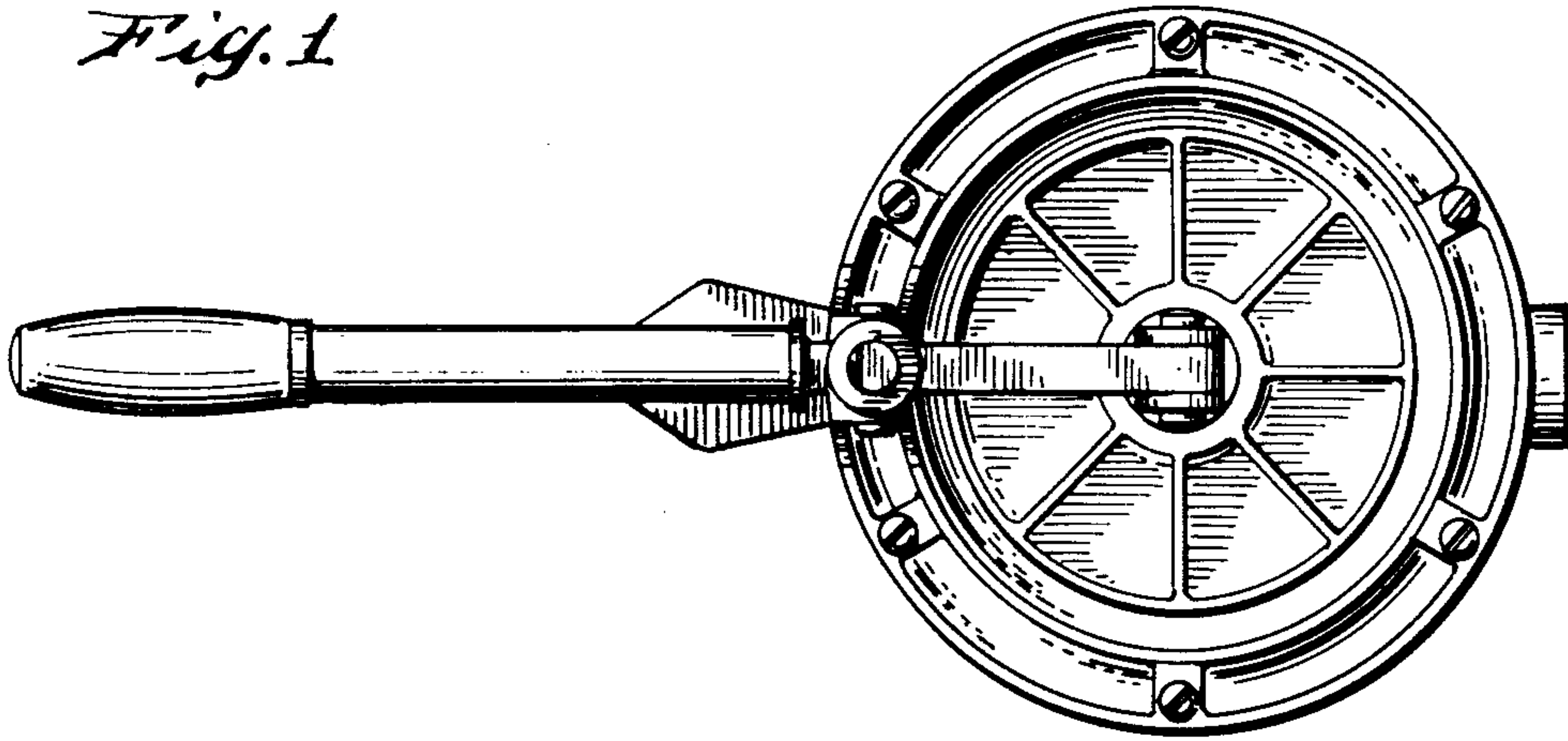


Fig. 2.

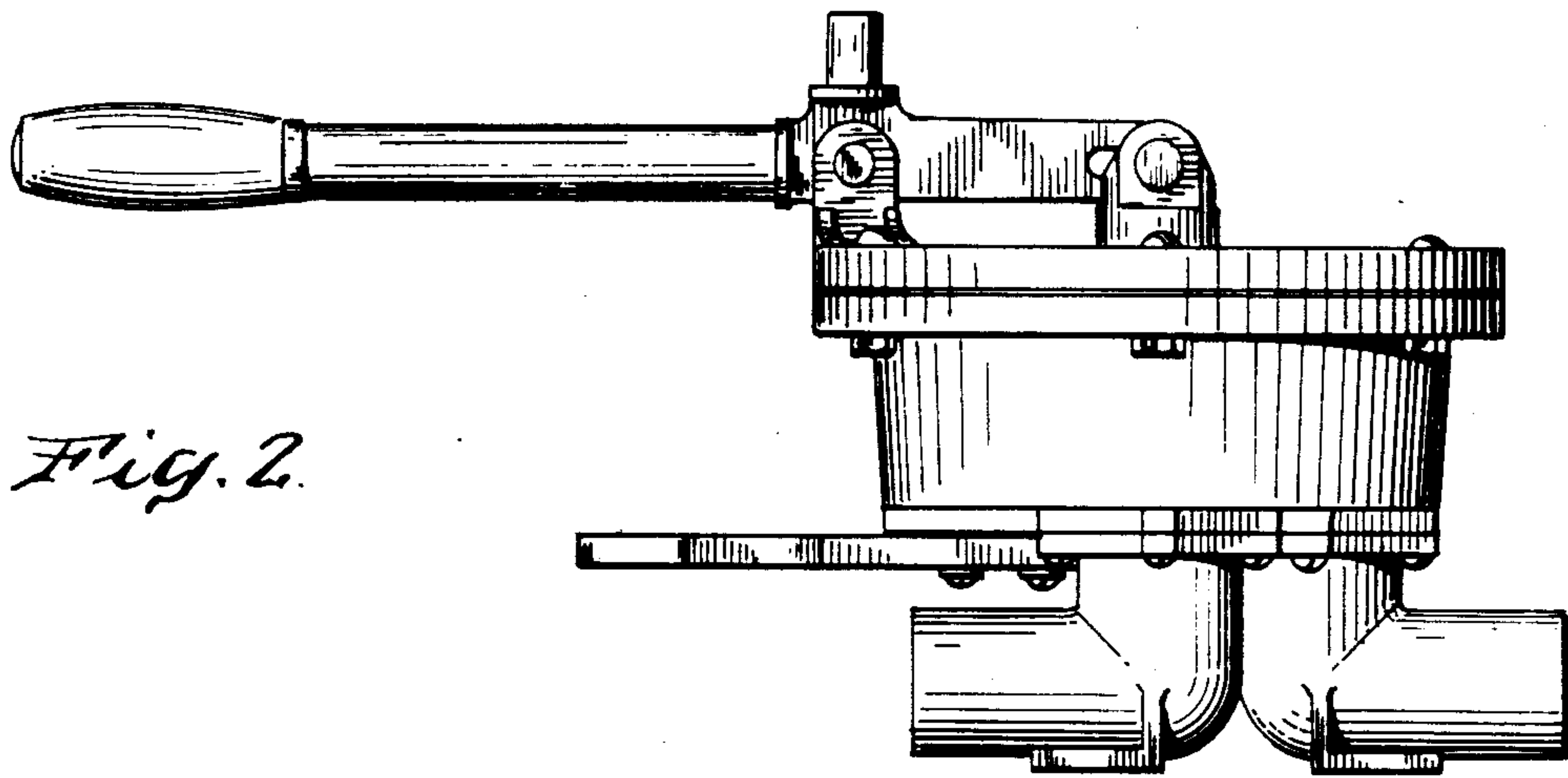


Fig. 3.

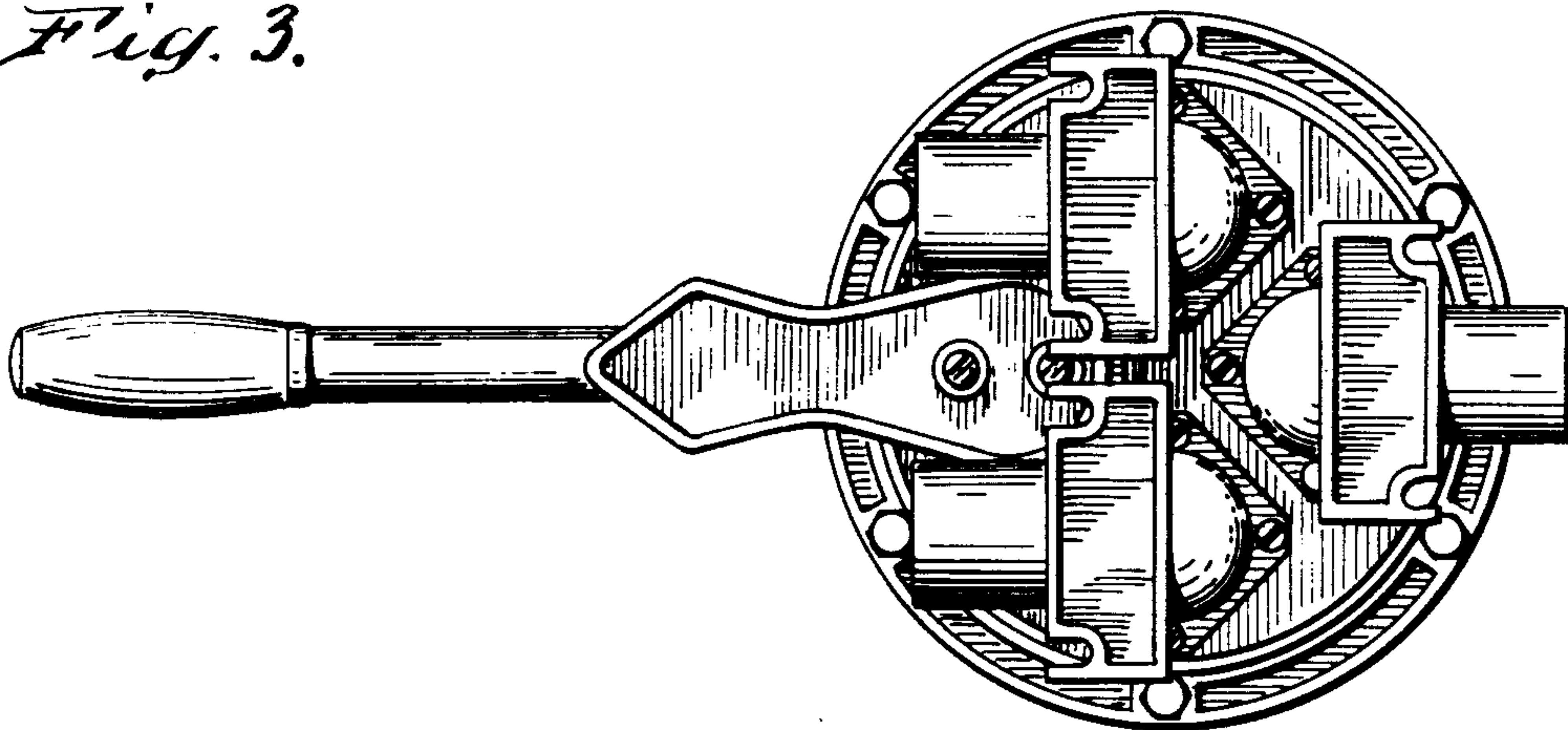


Fig. 4.

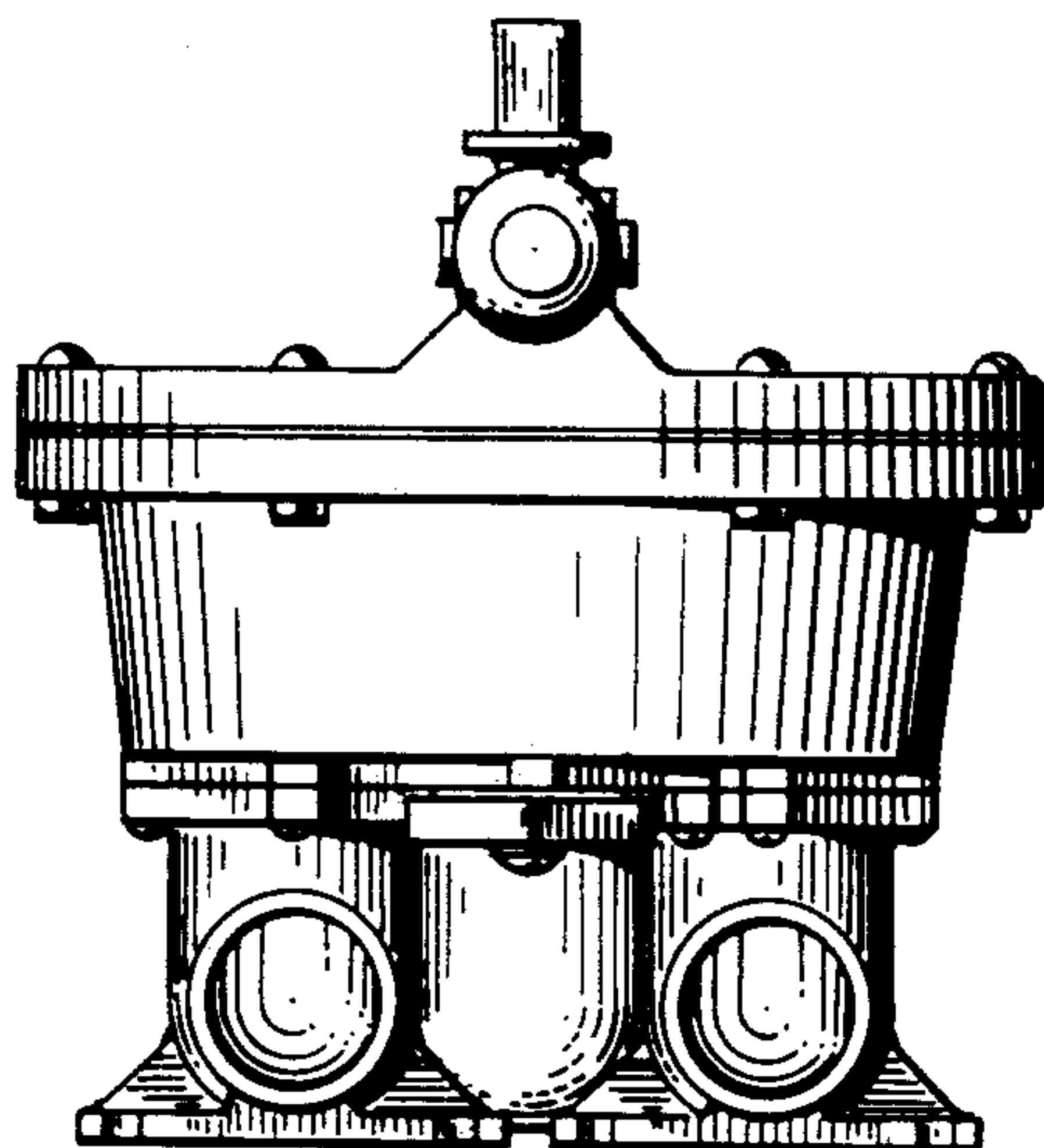


Fig. 5.

