

[54] BASKETBALL SHOOTING TOY
 [76] Inventor: Ellis R. Hailey, 3614 Johnston Way,
 Louisville, Ky. 40220
 [**] Term: 14 Years
 [21] Appl. No.: 801,159
 [22] Filed: May 27, 1977
 [51] Int. Cl. D21-01
 [52] U.S. Cl. D21/2
 [58] Field of Search D34/5 VV; 273/85 E,
 273/101

2,192,096 2/1940 Minger 273/85 E
 Primary Examiner—Melvin B. Feifer
 Attorney, Agent, or Firm—Arthur F. Robert

[57] CLAIM

The ornamental design for a basketball shooting toy, as shown.

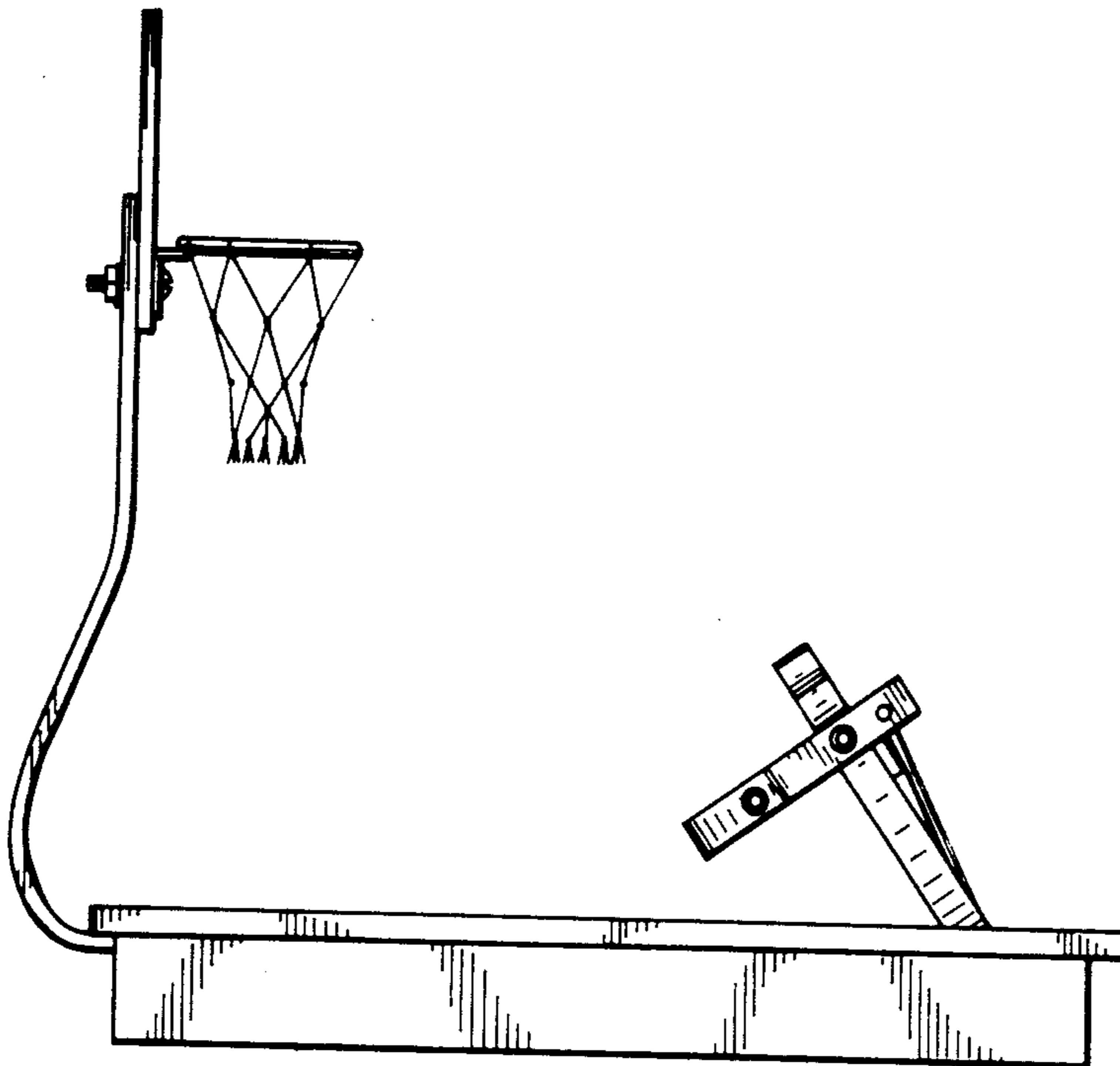
DESCRIPTION

FIG. 1 is a top plan view of a basketball shooting toy embodying the present design, this view showing the shooter in its extreme left shooting position;
 FIG. 2 is a side elevational view of the design of FIG. 1;
 FIG. 3 is an end elevational view of the design as seen in FIG. 1;
 FIG. 4 is a bottom plan view of FIG. 1;
 FIG. 5 is a sectional view taken along line 5-5 of FIG. 1; and

[56] References Cited

U.S. PATENT DOCUMENTS

905,085	11/1908	Lexow	D34/5 VV
1,675,453	7/1928	Forry	D34/5 VV
1,927,067	9/1933	Manassero	273/85 E



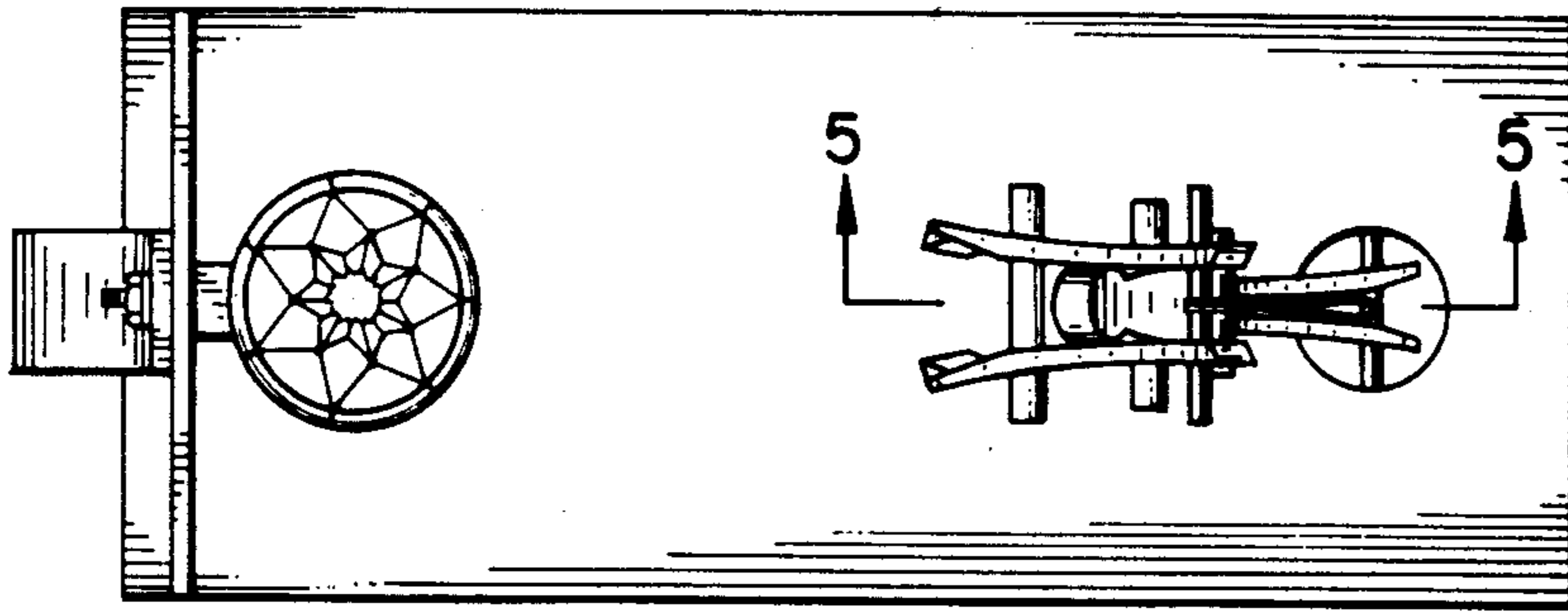


FIG. 1

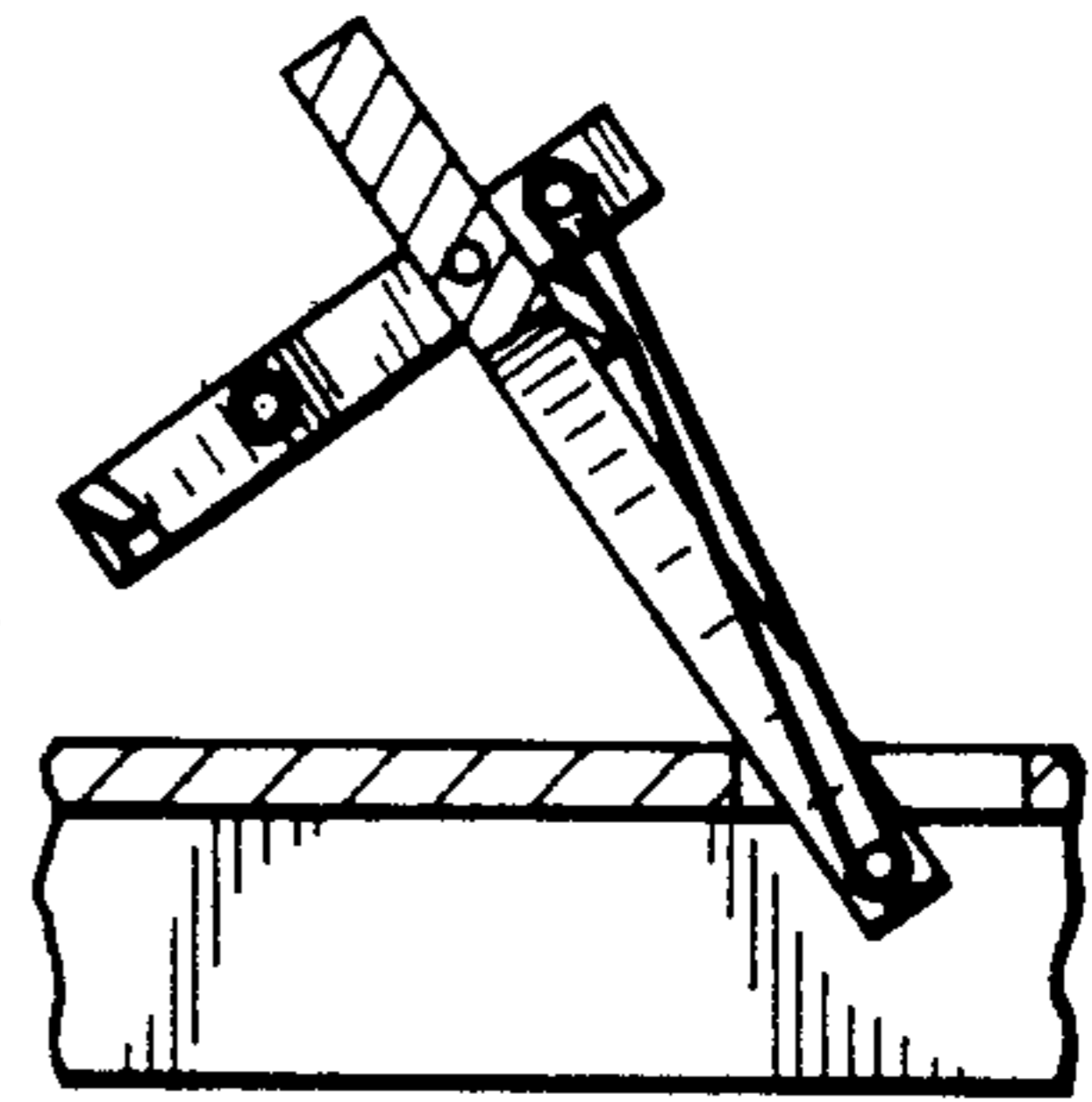


FIG. 5

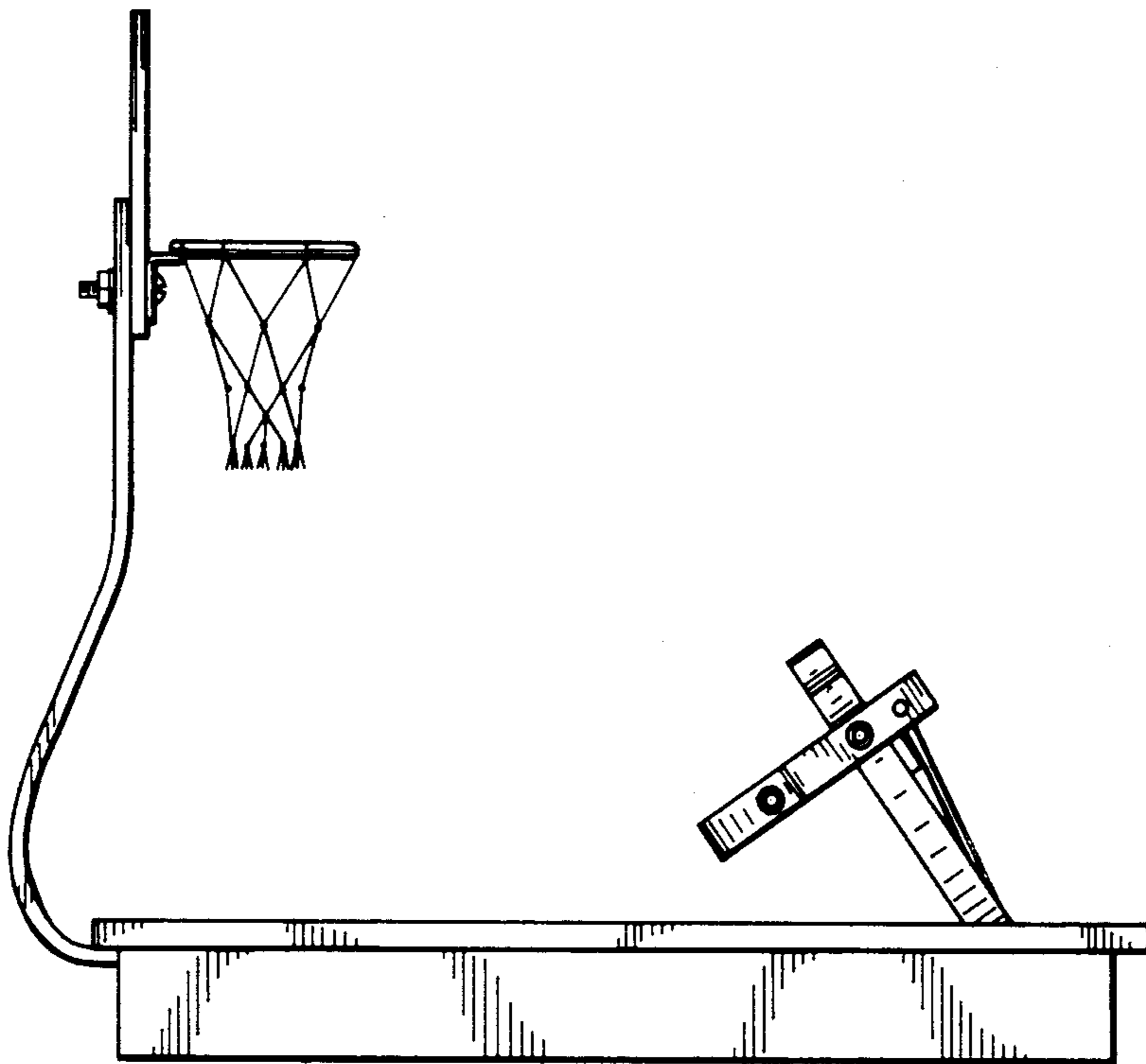


FIG. 2

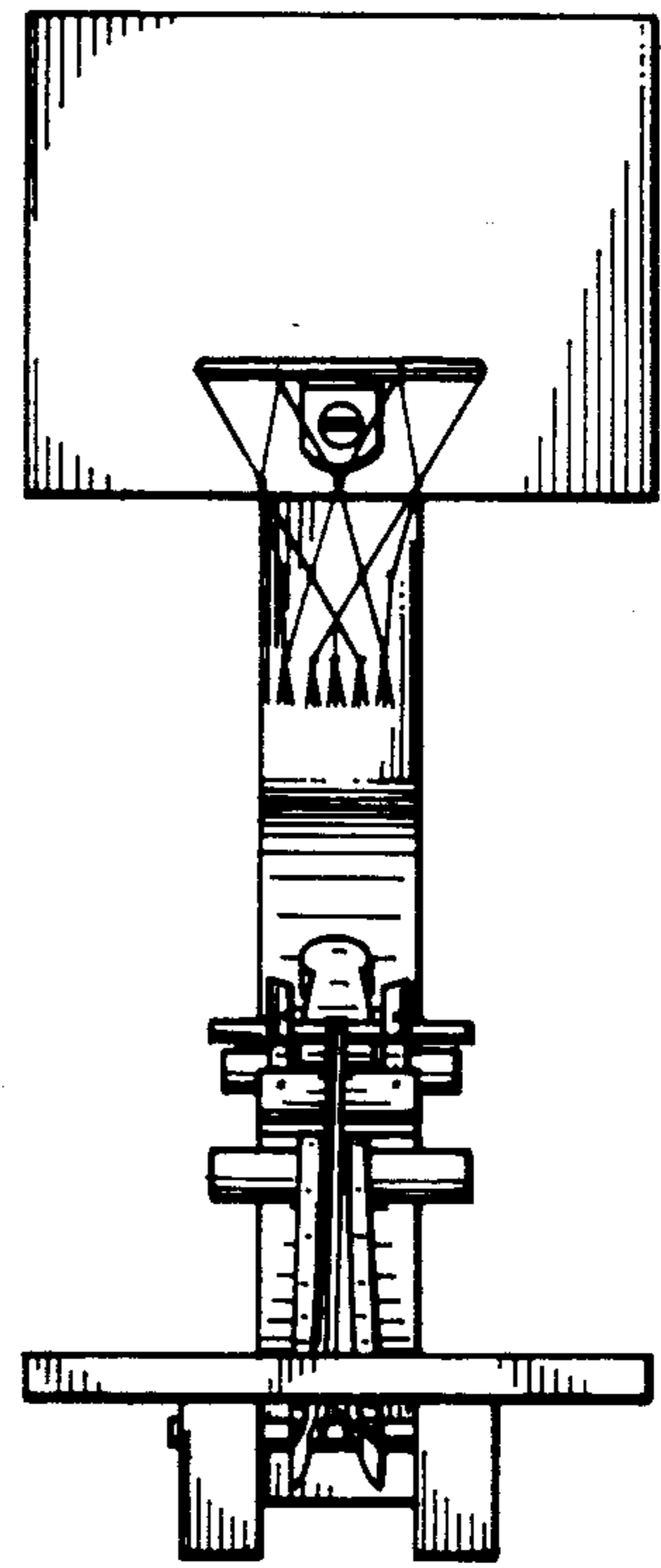


FIG. 3

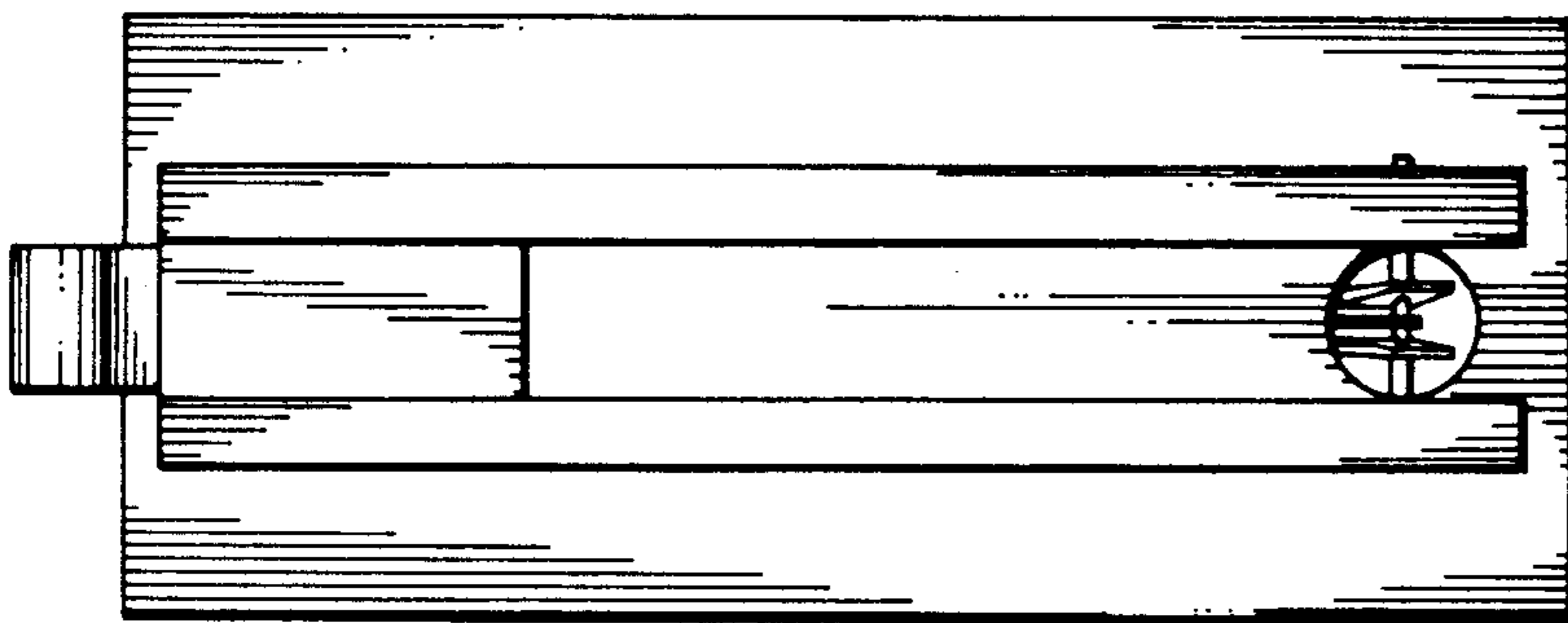


FIG. 4