

[54] RECORD PLAYER TURNTABLE

[76] Inventor: Cary L. Christie, 1027 Crosby, Simi Valley, Calif. 93065

[**] Term: 14 Years

[21] Appl. No.: 800,958

[22] Filed: May 26, 1977

[51] Int. Cl. D14-01

[52] U.S. Cl. D14/14; D14/27

[58] Field of Search D14/1, 2, 5-7, D14/10, 14, 17-25, 27, 30-34, 37-39, 68-84, 87, 94-96, 99, 52, 53, 57

[56] References Cited

U.S. PATENT DOCUMENTS

- D. 222,270 10/1971 Genaro et al. D14/52
- D. 240,858 8/1976 Taguchi D14/73
- D. 244,961 7/1977 Boldt et al. D14/17 X

OTHER PUBLICATIONS

Merchandising, 6-76, p. 81, Sony EX-2K System. The New Yorker, 9-5-77, p. 81, Bang & Olufsen Beomaster 4400 Turntable.

Primary Examiner—Joel Stearman
Assistant Examiner—Jane E. Corrigan
Attorney, Agent, or Firm—Paul L. Gardner

[57] CLAIM

The ornamental design for a record player turntable, as shown and described.

DESCRIPTION

FIG. 1 is a front, top and left side perspective view of a record player turntable showing my new design with the cover in raised condition;
FIG. 2 is a front, top and right side perspective with the cover in closed condition;
FIG. 3 is a front elevational view with the cover in the condition of FIG. 1;
FIG. 4 is a rear elevational view with the cover in the condition of FIG. 2; and
FIG. 5 is a rear, bottom and right side perspective view thereof.

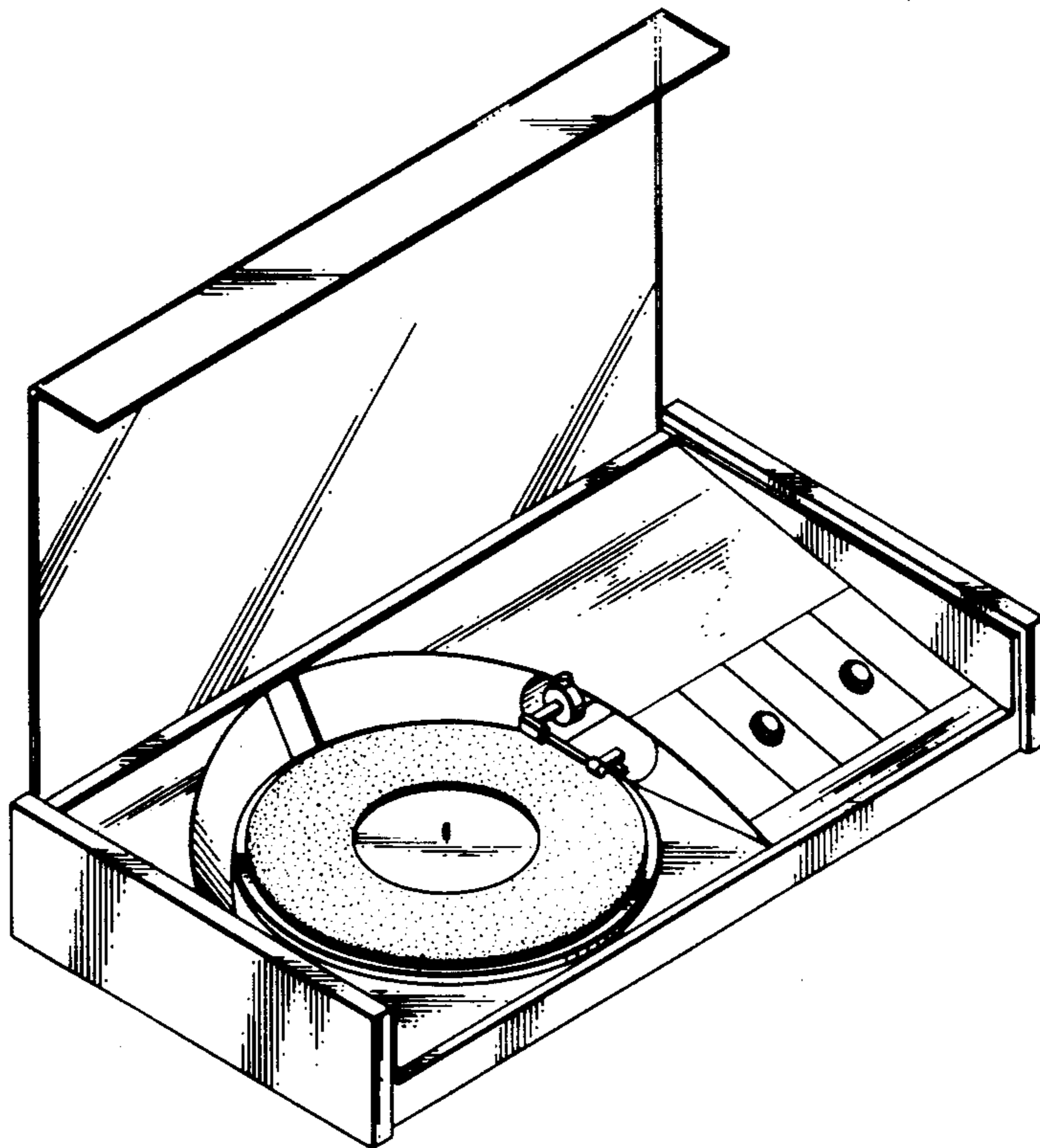


FIG. 1

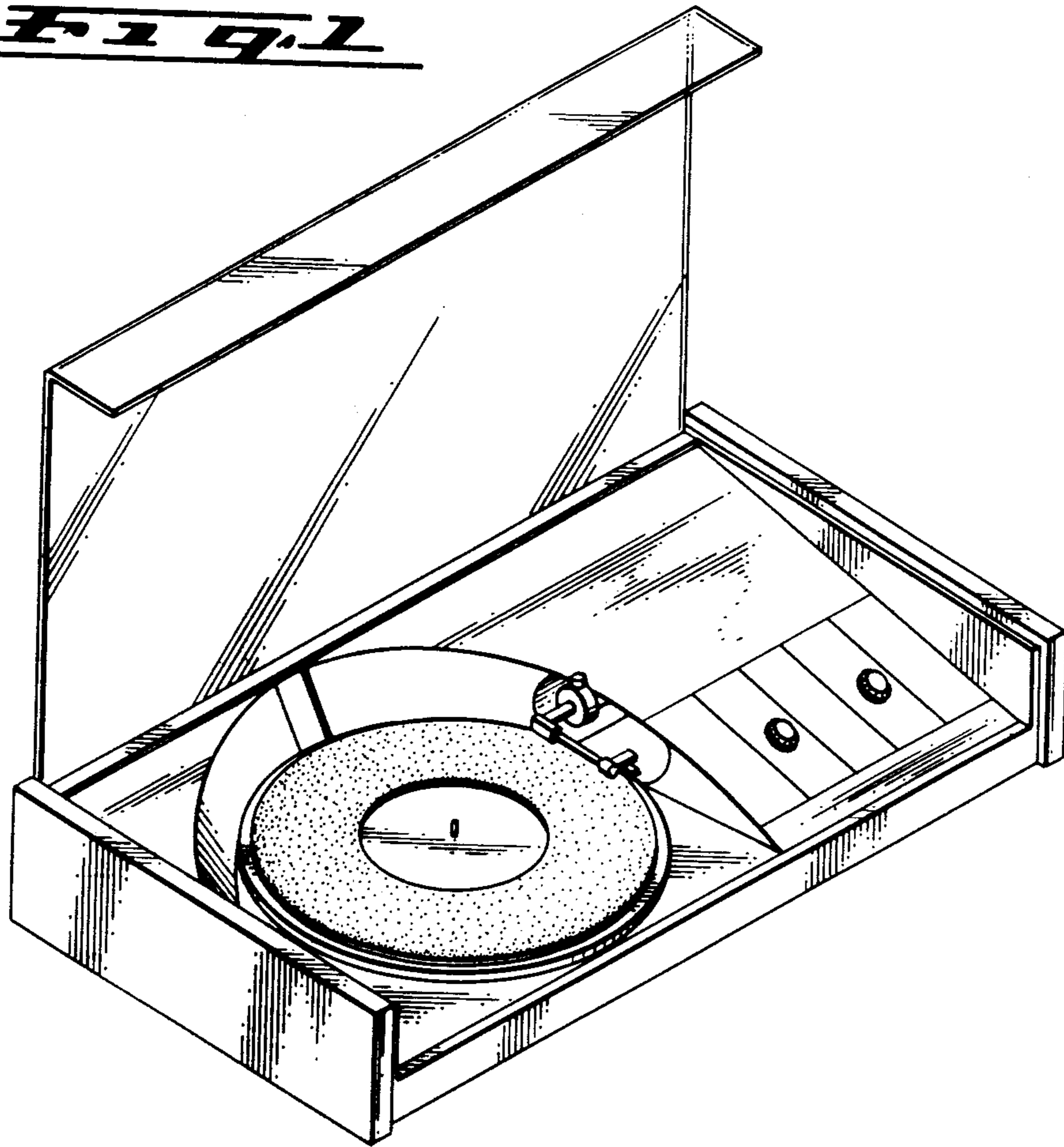


FIG. 2

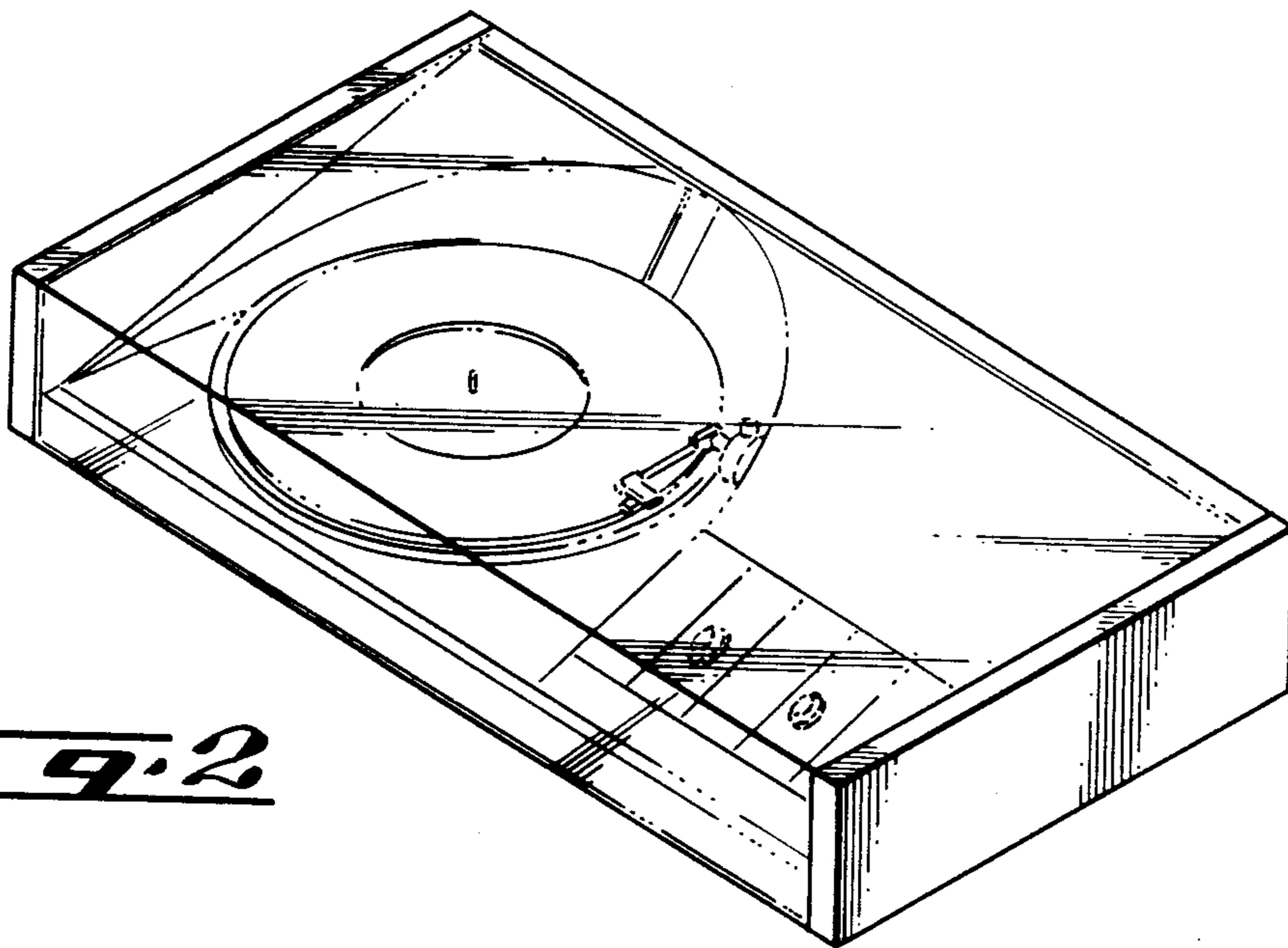


FIG. 3

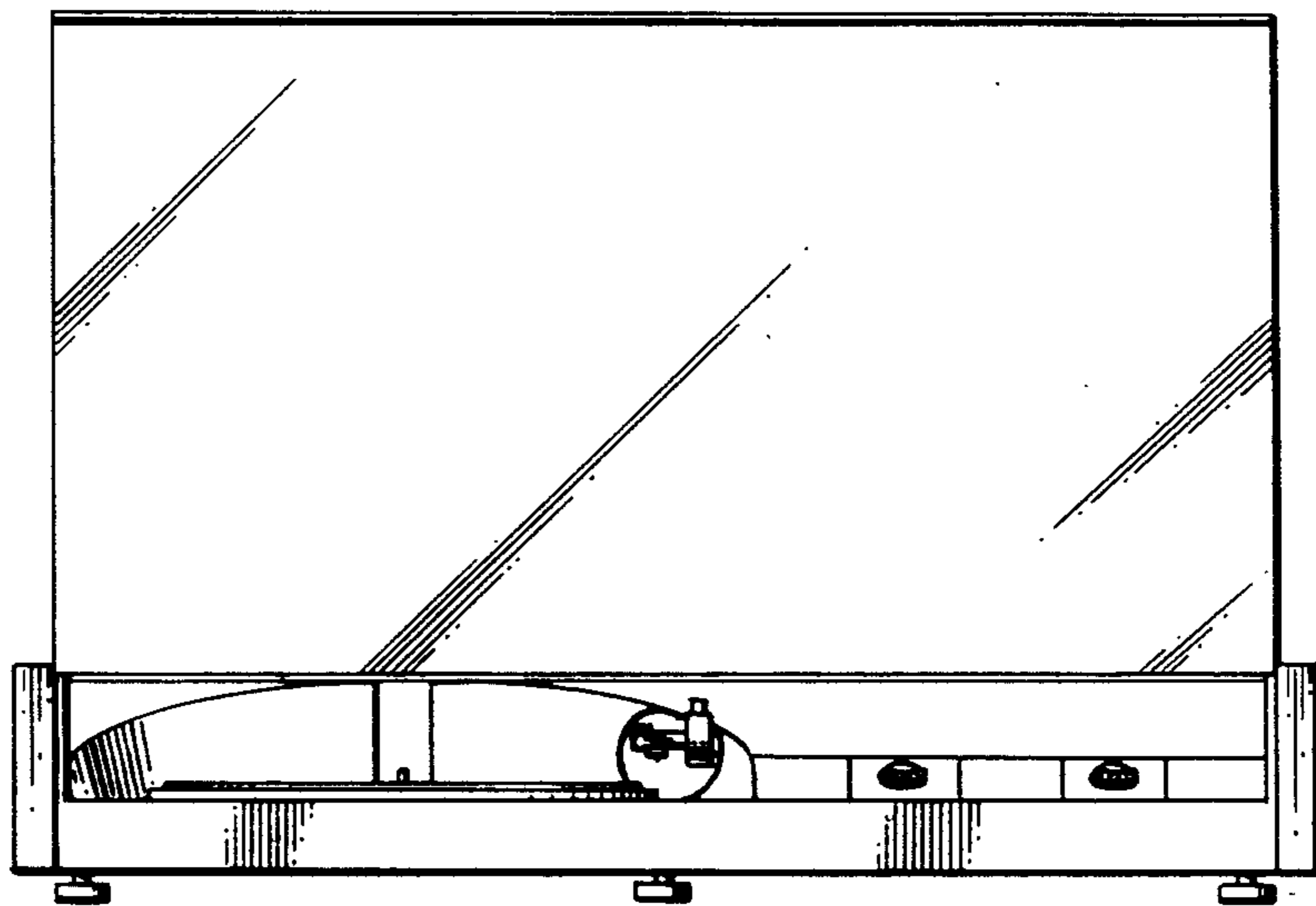


FIG. 4

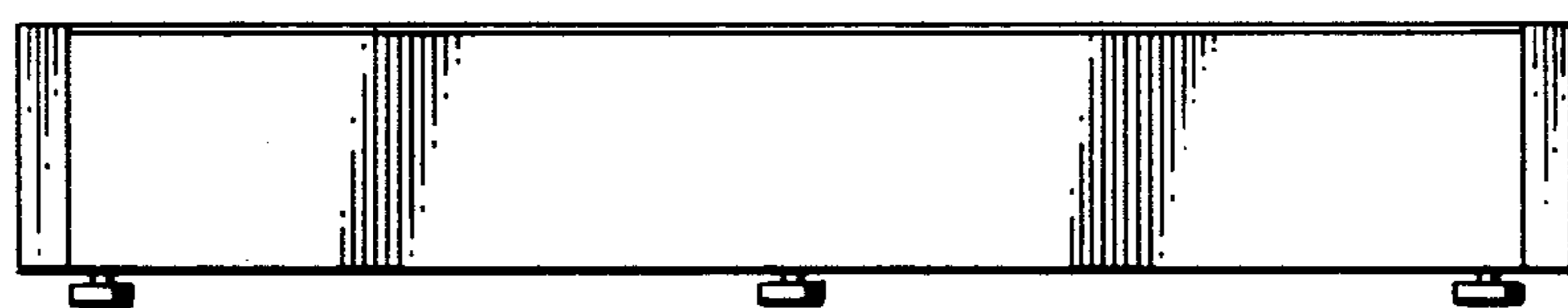


FIG. 5

